

# Waveguide to Coaxial Adapter **AWR51SMA**

**WR51 to SMA Female, Square Cover Flange, Right Angle**



Rev 3

### Electrical

<b>Frequency Range</b>	14.5-22 GHz
<b>VSWR</b>	1.2 max

### Configuration

<b>Waveguide Size</b>	IEC	180
	EIA	WR51
<b>Flange Type</b>	IEC	UBR180
	North America	/
<b>Coax Connector</b>	SMA Female	
<b>Body Geometry</b>	Right Angle	

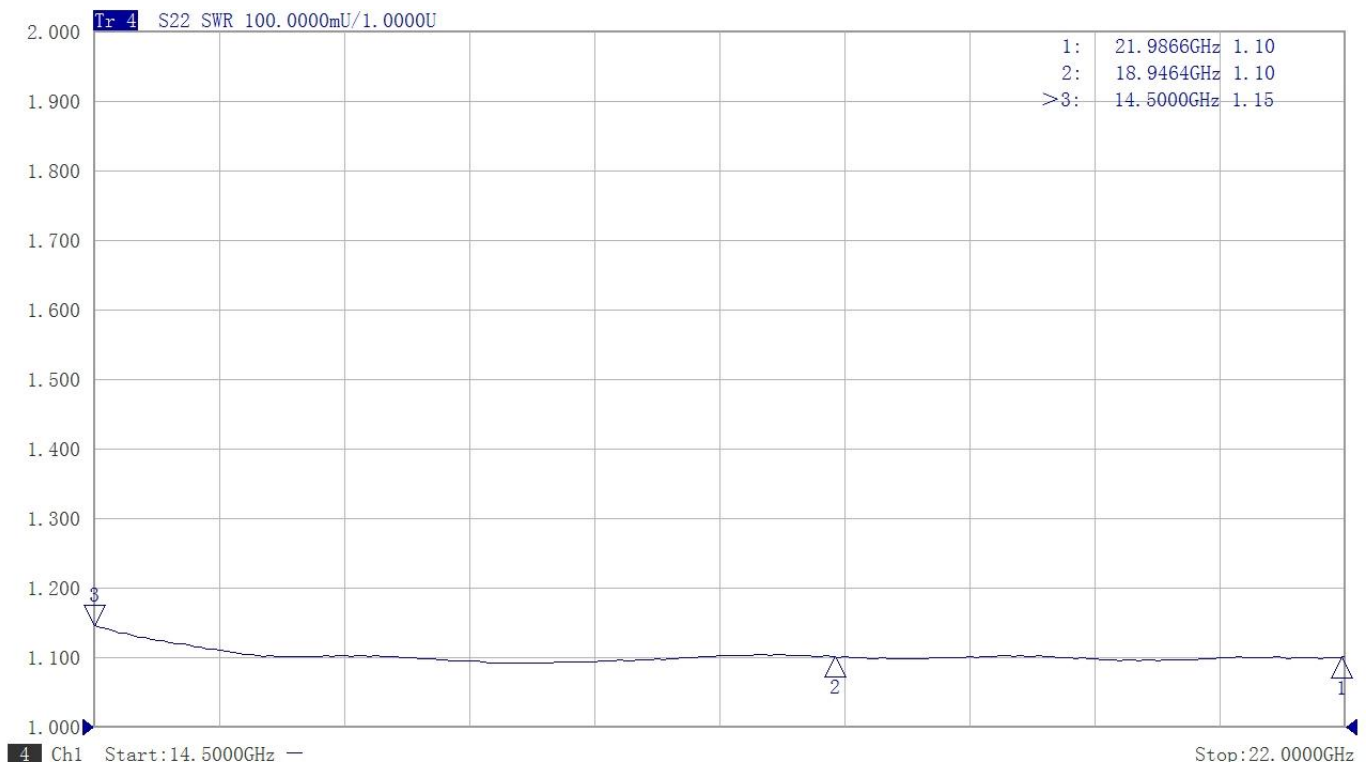
### Materials

<b>Waveguide Body</b>	Aluminum, black or grey painted
<b>Connector Body</b>	Passivated stainless steel
<b>Center Contact</b>	Gold plated beryllium copper

### Mechanical & Environmental

<b>Operating Temp</b>	-40°C to 70°C
<b>Connector Interface</b>	MIL-STD-348
<b>RoHS</b>	Compliant

### Typical Test Data



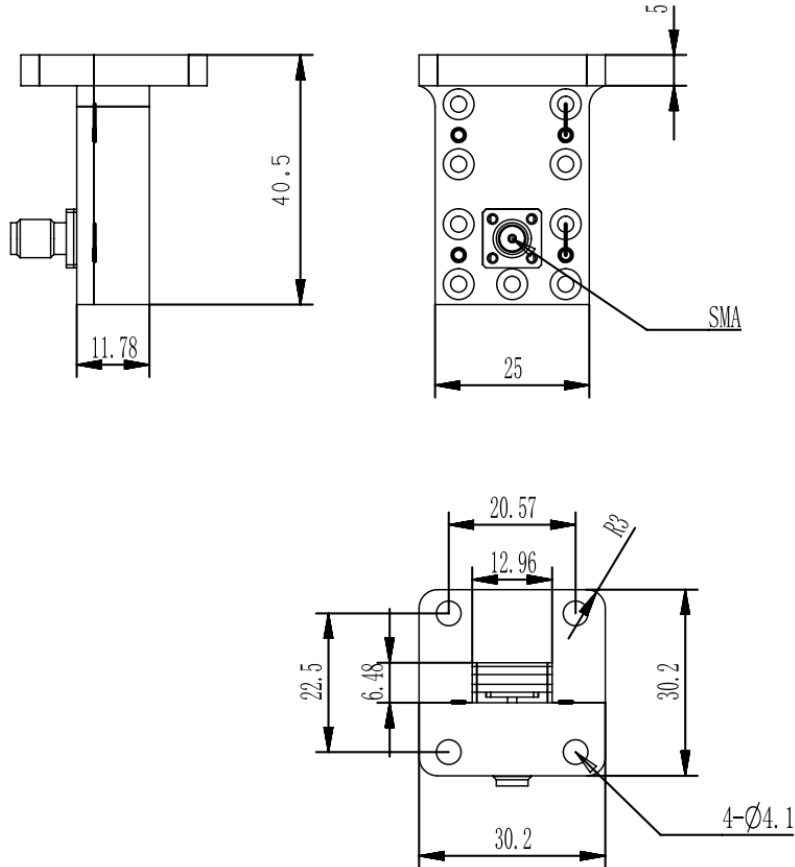
# Waveguide to Coaxial Adapter **AWR51SMA**

## WR51 to SMA Female, Square Cover Flange, Right Angle

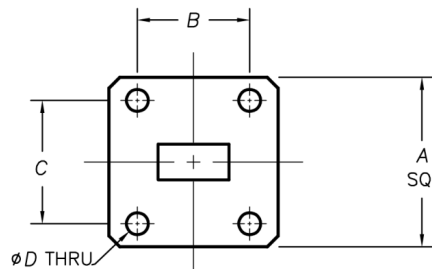


Rev 3

### Dimensions(mm)



### Flange Comparison (Unit mm)



WG SIZE	CONFORMING STANDARD	A	B	C	D
WR51	RF ONE:AWR51SMA	30.2	20.57	22.5	4.1
	IEC60154:UBR180	30.10	20.57	22.5	4.00

\* The purpose of this size comparison is to provide a quick overview of different flange standards.

\* Great care has been given nevertheless there might be a few mistakes.

\* Please check the flange compatibility before ordering. Customized flanges are available.