



Waveguide to Coaxial Adapter **AWR112N**

WR112 to N Female, Square Cover Flange, Right Angle

Rev 3

Electrical

Frequency Range	6.57-9.99 GHz
VSWR	1.2 max

Configuration

Waveguide Size	IEC	84
	EIA	WR112
Flange Type	IEC	UBR84
	North America	Al alloy: M3922/53-004(UG138/U) Cu alloy: M3922/53-002(UG51/U)
Coax Connector	N Female	
Body Geometry	Right Angle	

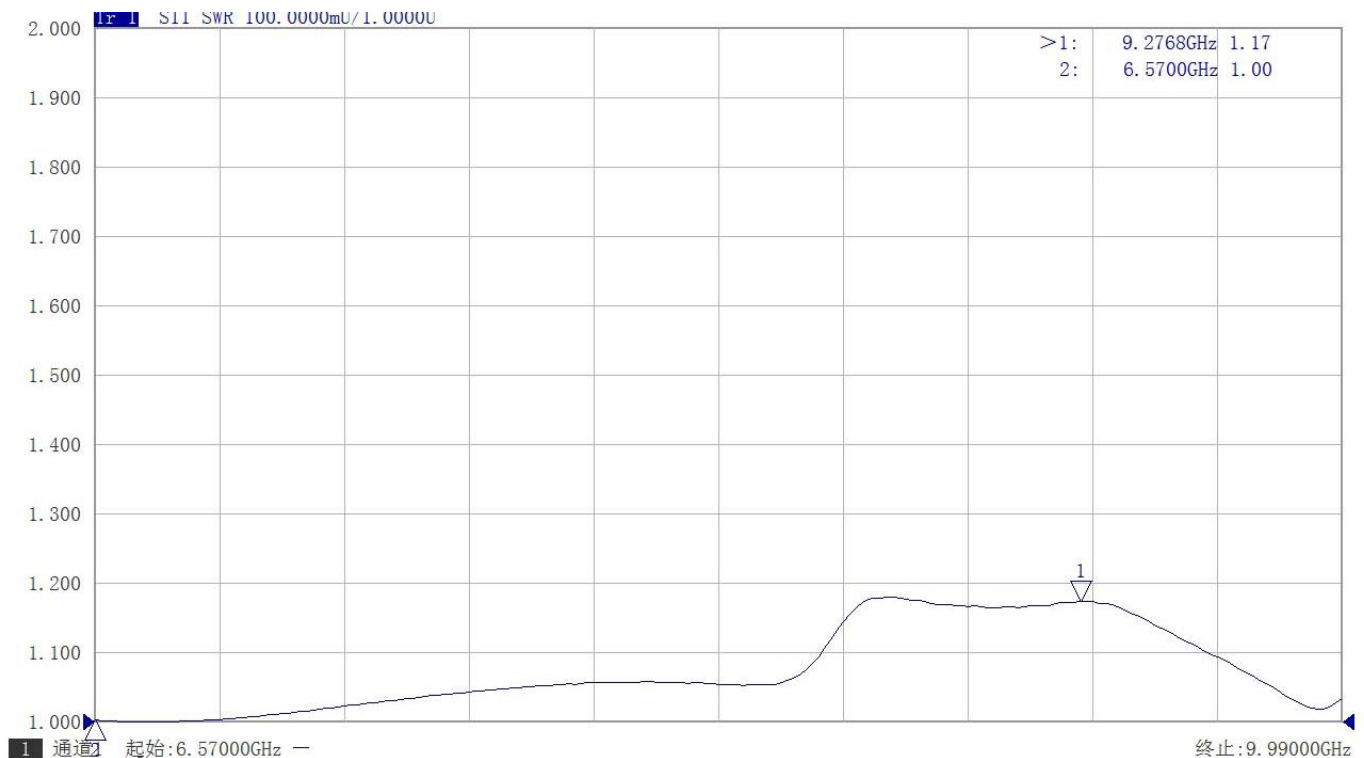
Materials

Waveguide Body	Aluminum, black or grey painted
Connector Body	Passivated stainless steel
Center Contact	Gold plated beryllium copper

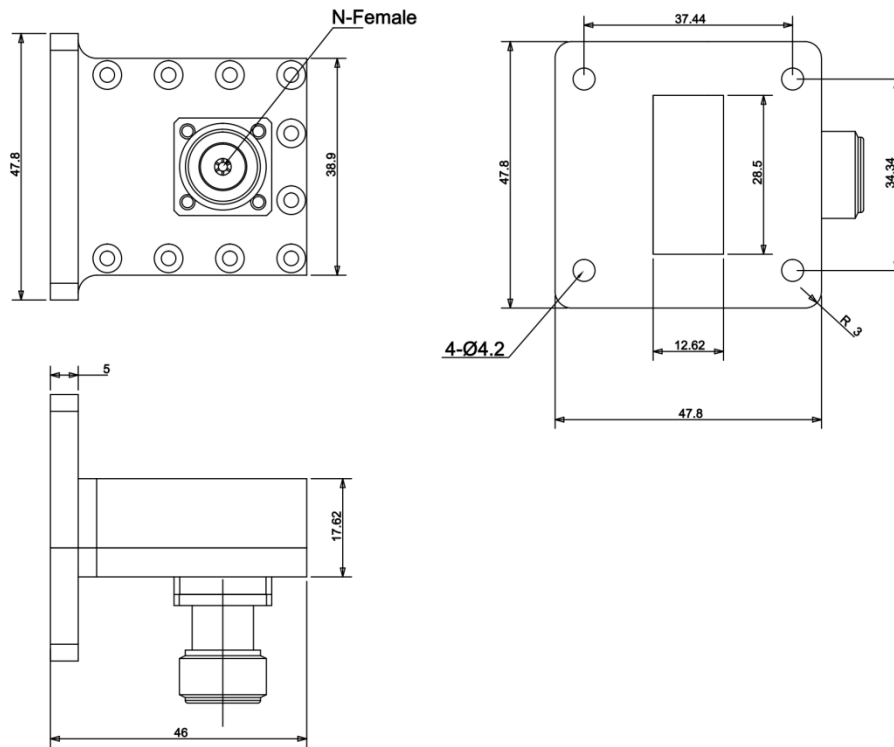
Mechanical & Environmental

Operating Temp	-40°C to 70°C
Connector Interface	MIL-STD-348
RoHS	Compliant

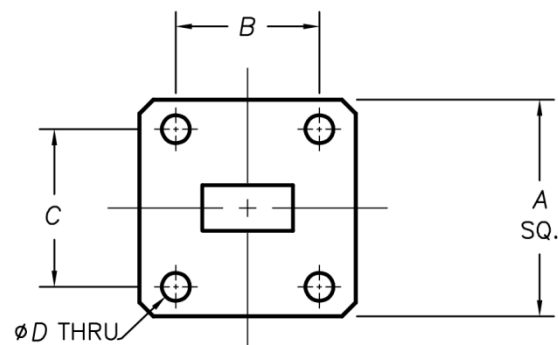
Typical Test Data



Dimensions(mm)



Flange Comparison (Unit mm)



WG SIZE	CONFORMING STANDARD	A	B	C	D
WR112	RF ONE:AWR112N	47.8	34.34	37.44	4.2
	IEC60154:UBR84	47.80	34.34	37.44	4.17
	USA:MIL3922/53-004(UG138/U)	47.63	34.34	37.44	4.29

* The purpose of this size comparison is to provide a quick overview of different flange standards.

* Great care has been given nevertheless there might be a few mistakes.

* Please check the flange compatibility before ordering. Customized flanges are available.