

SPDT Electromechanical Switch, Terminated, Latching, DC to 50 GHz, 2.4mm, Self Cutoff, TTL, Indicators, Solder Pins
Electrical

Switch Type	SPDT, Terminated			
Actuator Type	Latching			
Switching Sequence	Break before make			
Switching Time	15 ms max			
Impedance	50 Ohms			
Frequency Range	DC-50 GHz			
*Nominal Actuating Voltage, Vdc	12 (11 to 13)	18 (16 to 20)	24 (22 to 26)	28 (26 to 30)
Actuating Current, mA	400	240	180	230
TTL Control	On: 2.4 to 5 Volts, Off: 0 to 0.8 Volts			
Indicator Rating	1 Watts / 50 Volts / 100 mA			



Frequency (GHz)	DC-6	6-12	12-18	18-26.5	26.5-32	32-40	40-50
VSWR (max)	1.2	1.3	1.4	1.7	1.9	2.0	2.0
Insertion Loss dB (max)	0.20	0.25	0.40	0.70	0.80	1.00	1.10
Isolation dB (min)	70	70	60	55	50	50	50

Environmental & Mechanical

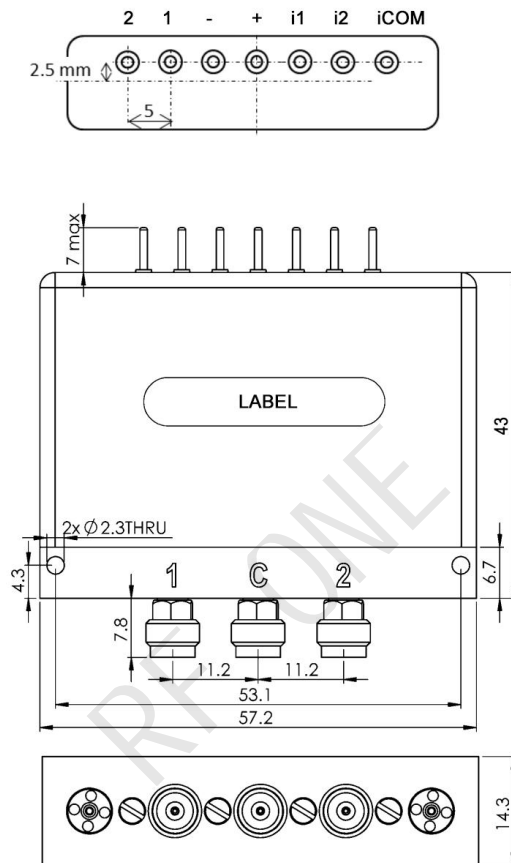
Operating Temperature	-25°C~+65°C
Storage Temperature	-55°C~+85°C
Shock (Designed to meet)	MIL-STD-202 Method 213, Condition D, 500G (Non Operating)
Vibration (Designed to meet)	MIL-STD-202 Method 214, Condition D, 10G RMS (Non Operating)
Operating Life	3 Million Cycles Minimum
RF Connector	2.4mm Female
Actuator Terminals	Solder pins
Weight	About 90g

Notes

*For model RS2T-Q50LXX-TI, replace the XX with the desired Actuator Voltage. Example: RS2T-Q50L12-TI for 12 Volts.

SPDT Electromechanical Switch, Terminated, Latching, DC to 50 GHz, 2.4mm, Self Cutoff, TTL, Indicators, Solder Pins

Drawing (unit: mm, tolerance +/-0.5mm)



Schematic

