



## Coaxial Fixed Attenuator

## RFHB12XXNC10

DC-12.4 GHz, 1-60 dB, 10 Watts, N, Bidirectional

Rev 3

### Electrical

<b>Impedance</b>	50 ohm					
<b>Frequency Range</b>	DC-12.4 GHz					
<b>VSWR</b>	1.35 max					
<b>Input Avg Power</b>	10W@ 25°C ambient, derating linearly to 1W at 100°C					
<b>Peak Power</b>	500W (5 micro-sec pulse width, 1% duty cycle)					
<b>Direction</b>	Bidirectional, N female to N male (other configurations available)					

<b>Attenuation(dB)</b>	1-10	11-20	21-30	31-40	41-50	51-60
<b>Accuracy(dB)</b>	±0.6	±0.7	±0.8	±0.9	±1.0	±1.2

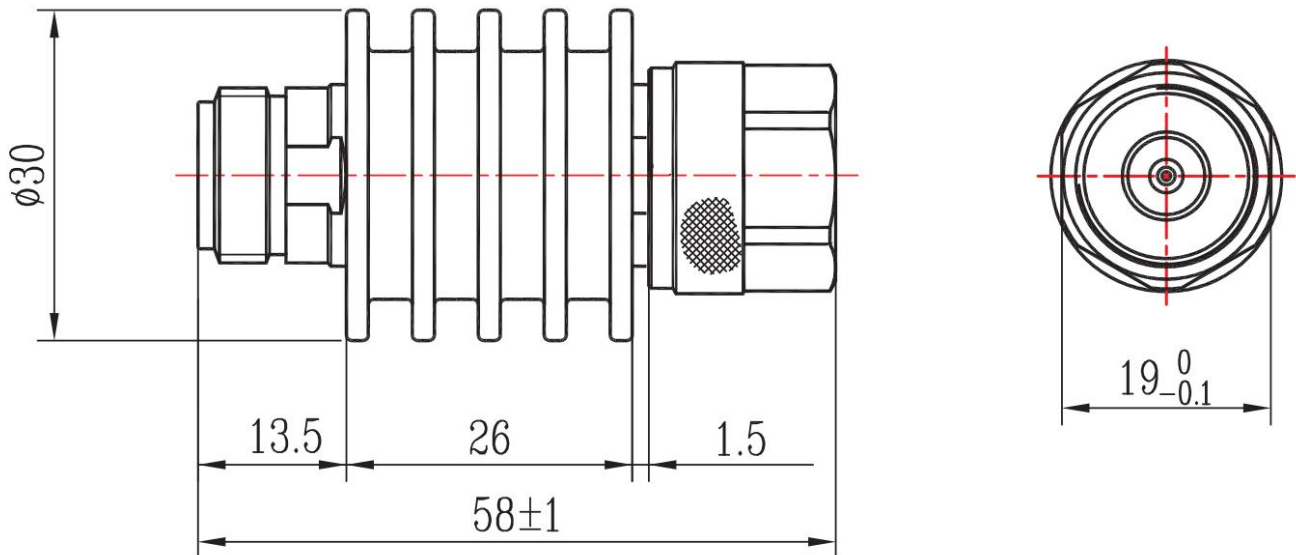
### Mechanical

<b>Connector Body</b>	Ternary alloy plated brass
<b>Heat Sink</b>	Black anodized aluminum
<b>Center Contact</b>	Gold plated beryllium copper/brass
<b>Net Weight</b>	Approx 90 g

### Environmental

<b>Operating Temperature</b>	-55°C to 100°C
<b>Storage Temperature</b>	-55°C to 125°C
<b>RoHS</b>	Compliant
<b>Temperature Coefficient</b>	<0.0004 dB/dB/°C

### Dimensions(mm)



### Notes

- 1.To maintain best performance, recommended to use fan to keep the case temperature under 85°C.
- 2.Customized dB values, outlines and optimal accuracy/VSWR available.

### Model Description

#### RFHB12XXNC10

- 1.XX for dB value: 06=6dB,30=30dB
- 2.Code for connector configuration:  
A=female for two ends; B=male for two ends  
C=female for one end and male for the other.