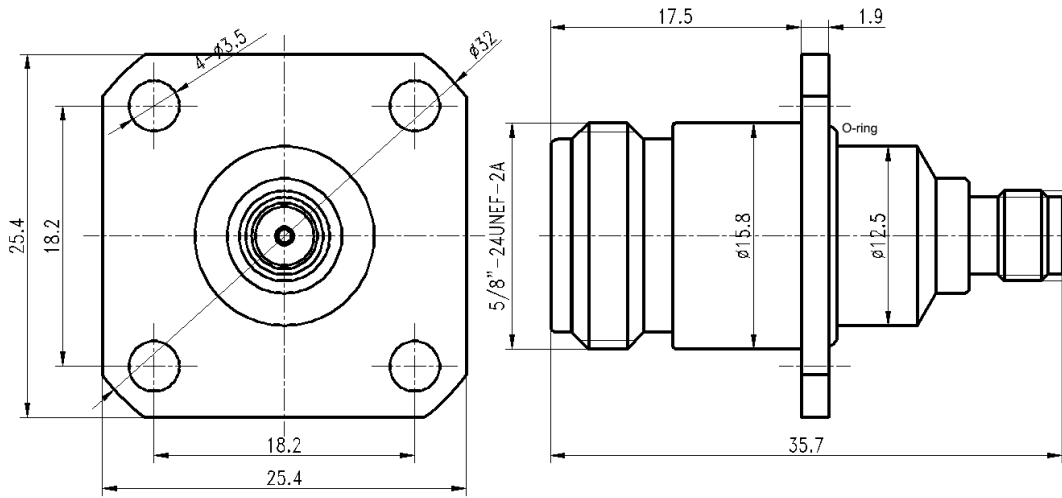


**Drawing(mm)**



**Electrical & Environmental**

<b>Impedance</b>	50 ohm
<b>Frequency Range</b>	DC-18 GHz
<b>VSWR</b>	1.2 max
<b>Operating Temp</b>	-55°C to +120°C
<b>Interface</b>	N&SMA per MIL-STD-348B

**Material**

<b>Connector Body</b>	Nickel plated brass
<b>Center Contact</b>	Gold plated brass
<b>Insulator</b>	PEI & PTFE
<b>O-ring</b>	Silicone rubber