



Waveguide to Coaxial Adapter **AWR102N**

WR102 to N Female, UG-1493/U Cover Flange, Right Angle

Rev 1

Electrical

Frequency Range	7-11 GHz
VSWR	1.25 max

Configuration

	WR102
Flange Type	UG-1493/U
Coax Connector	N Female
Body Geometry	Right Angle

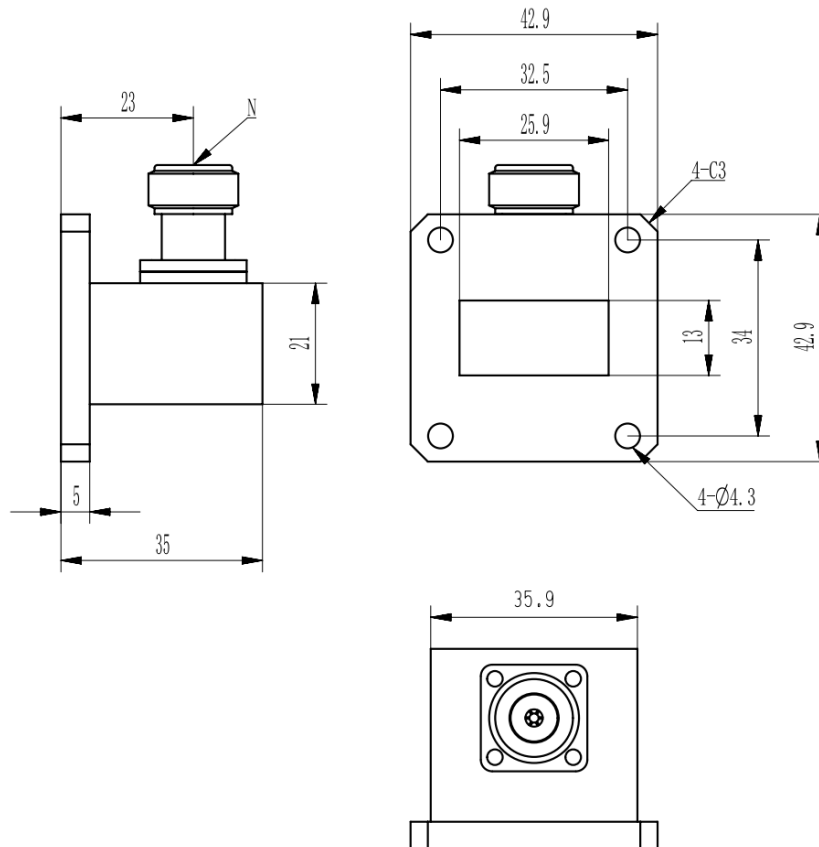
Materials

Waveguide Body	Aluminum, black or grey painted
Connector Body	Passivated stainless steel
Center Contact	Gold plated beryllium copper

Mechanical & Environmental

Operating Temp	-40°C to 70°C
Connector Interface	MIL-STD-348
RoHS	Compliant

Dimensions(mm)





Waveguide to Coaxial Adapter **AWR102N**

WR102 to N Female, UG-1493/U Cover Flange, Right Angle

Rev 1

Typical Test Data

