



### Electrical

<b>Impedance</b>	50 ohm			
<b>Frequency Range</b>	DC-50 GHz			
<b>VSWR</b>	1.34 max			
<b>Input Avg Power</b>	5W@ 25°C ambient, derating linearly to 0.5W at 100°C			
<b>Peak Power</b>	100W (5 micro-sec pulse width, 2% duty cycle)			
<b>Direction</b>	Bidirectional, 2.4mm female to 2.4mm male (other configurations available)			

<b>Attenuation(dB)</b>	1-3	4-8	9-25	26-40
<b>Accuracy(dB)</b>	-0.7/+1.0	-0.8/+1.2	-0.8/+0.8	-0.9/+1.2

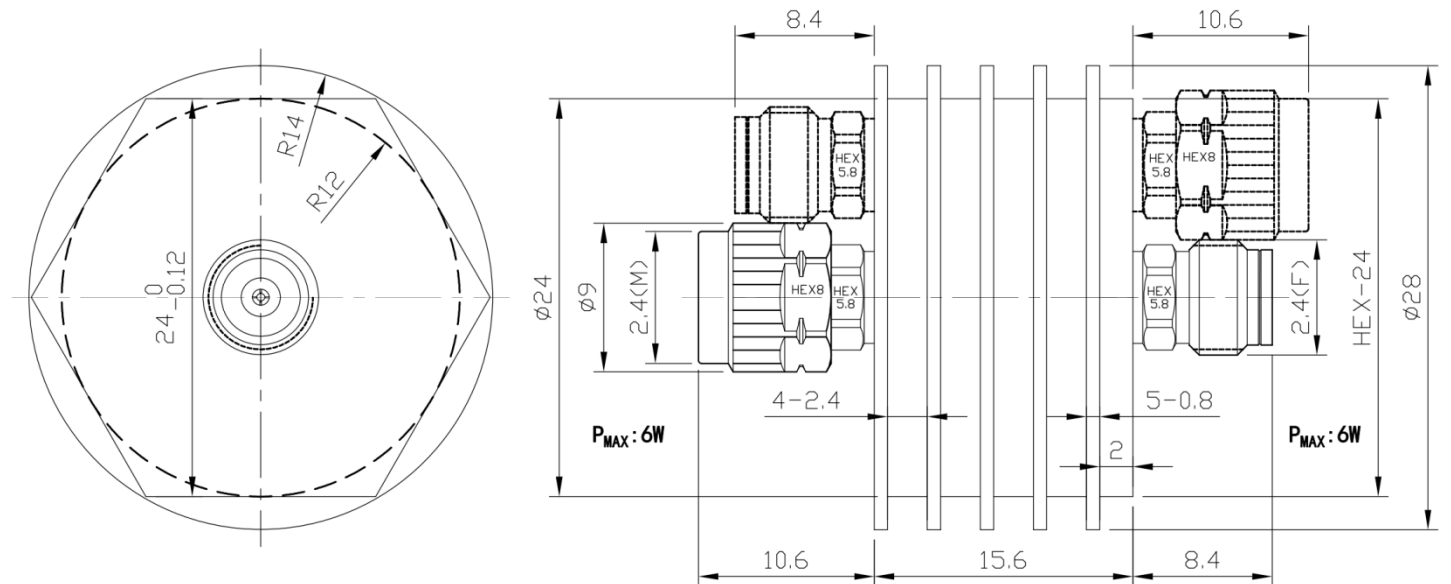
### Mechanical

<b>Connector Body</b>	Passivated stainless steel
<b>Heat Sink</b>	Black anodized aluminum
<b>Center Contact</b>	1.27um Gold plated BeCu
<b>Net Weight</b>	About 28 g

### Environmental

<b>Operating Temperature</b>	-55°C to 100°C
<b>Storage Temperature</b>	-55°C to 125°C
<b>RoHS</b>	Compliant
<b>Temperature Coefficient</b>	<0.0004 dB/dB/°C

### Dimensions(mm)



### Notes

- 1.To maintain best performance, recommended to use fan to keep the case temperature under 85°C.
- 2.Customized dB values, outlines and optimal accuracy/VSWR available.

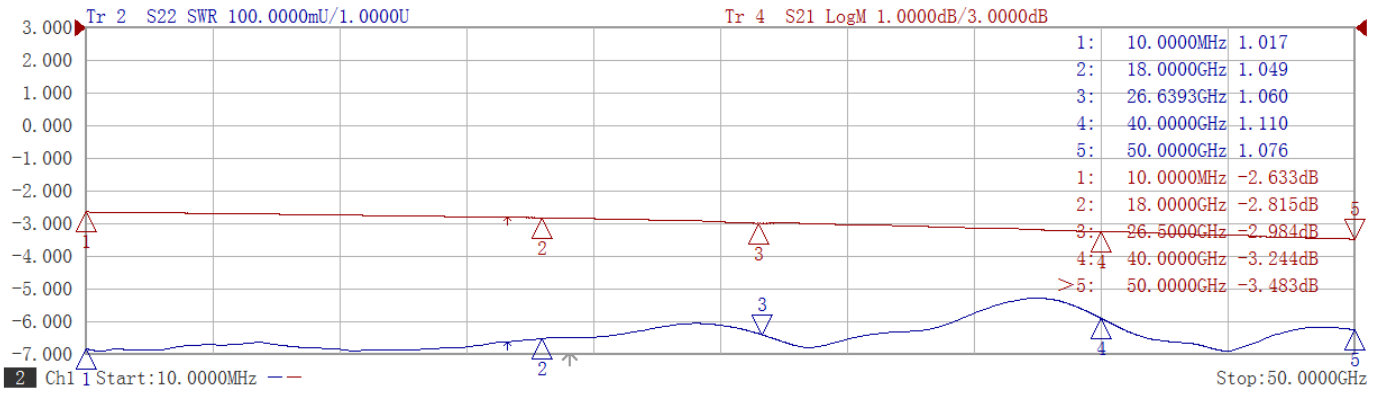
### Model Description

#### RFHB50XX24C5

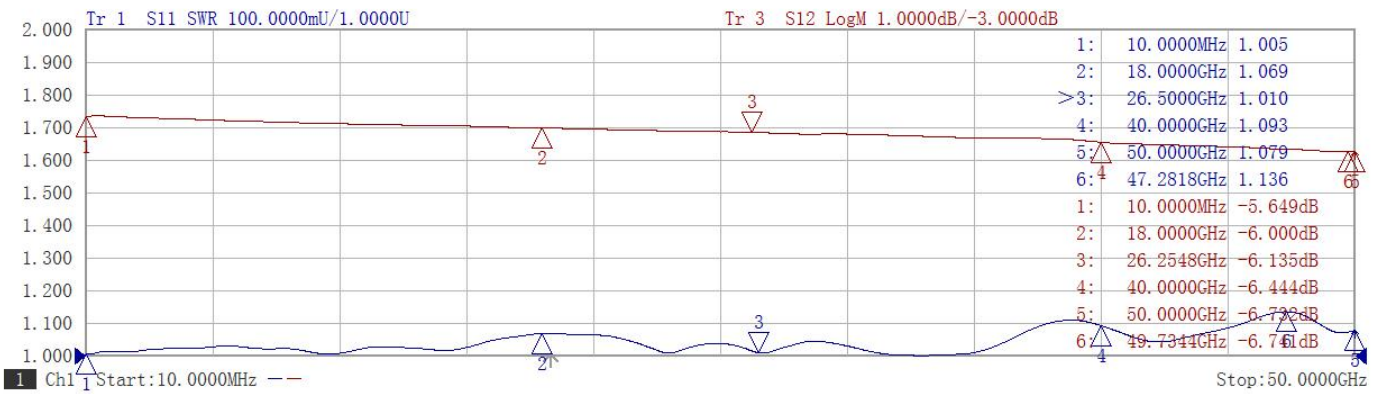
- 1.XX for dB value: 06=6dB,30=30dB
- 2.Code for connector configuration:  
A=female for two ends; B=male for two ends  
C=female for one end and male for the other.

Typical Test Data(Contact us at [sales@rfone.cn](mailto:sales@rfone.cn) for test plots of more models)

### 3dB



### 6dB



### 10dB



### 20dB

