

Coaxial Fixed Attenuator

RFHB03XXQC5

DC-3 GHz, 1-50 dB, 5 Watts, QMA, Bidirectional

Rev 1

Electrical

Impedance	50 ohm			
Frequency Range	DC-3 GHz			
VSWR	1.15 max			
Input Avg Power	5W@ 25°C ambient, derating linearly to 0.5W at 100°C			
Peak Power	500W (5 micro-sec pulse width, 0.5% duty cycle)			
Direction	Bidirectional, QMA female to QMA male (other configurations available)			

Attenuation(dB)	1-10	20	30	40,50
Accuracy(dB)	±0.4	±0.5	±0.7	±0.7

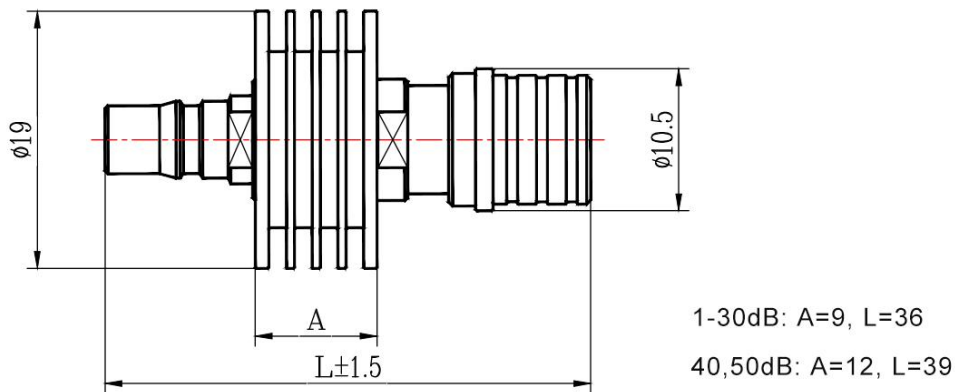
Mechanical

Connector Body	Ternary alloy plated brass
Heat Sink	Black anodized aluminum
Center Contact	Gold plated beryllium copper/brass
Net Weight	Approx 10 g

Environmental

Operating Temperature	-55°C to 100°C
Storage Temperature	-55°C to 125°C
RoHS	Compliant
Temperature Coefficient	<0.0004 dB/dB/°C

Dimensions(mm)



Notes

1. Customized dB values, outlines and optimal accuracy/VSWR available.

Model Description

RFHB03XXQC5

1. XX for dB value: 06=6dB, 30=30dB

2. Code for connector configuration:

A=female for two ends; B=male for two ends

C=female for one end and male for the other.