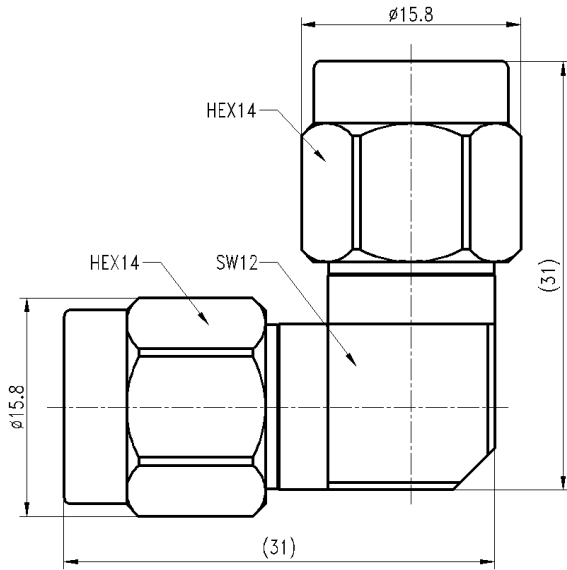


Drawing(mm)



Electrical & Environmental

| | |
|-----------------|----------------------|
| Impedance | 50 ohm |
| Frequency Range | DC-18 GHz |
| VSWR | 1.25 max |
| Operating Temp | -55°C to +165°C |
| Interface | TNCA per MIL-STD-348 |

Material

| | |
|----------------|----------------------------|
| Connector Body | Passivated stainless steel |
| Center Contact | Gold plated brass |
| Insulator | PEI & PTFE |

Typical Test Data

