



**Electrical**

<b>Impedance</b>	50 ohm			
<b>Frequency Range</b>	DC-40 GHz			
<b>VSWR</b>	1.23 max			
<b>Input Avg Power</b>	2W@ 25°C ambient, derating linearly to 0.5W at 100°C			
<b>Peak Power</b>	200W (5 micro-sec pulse width, 1% duty cycle)			
<b>Direction</b>	Bidirectional, 2.92mm female to 2.92mm female (other configurations available)			

<b>Attenuation(dB)</b>	1-3	4-8	9-15	16-30
<b>Accuracy(dB)</b>	-0.6/+0.9	-0.7/+1.0	-0.7/+0.8	-0.9/+1.2

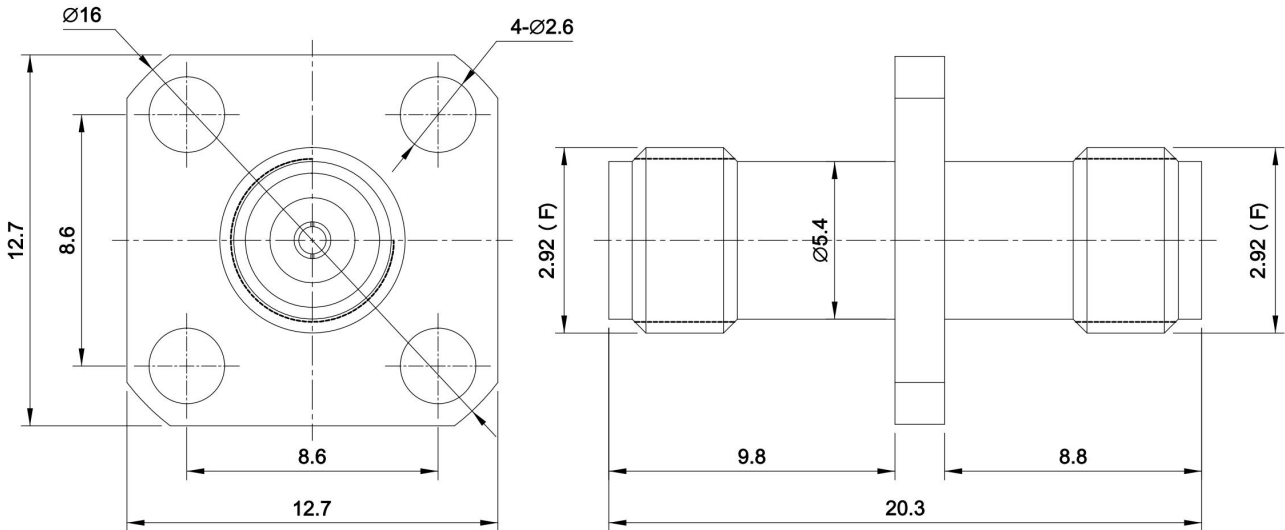
**Mechanical**

<b>Connector Body</b>	Passivated stainless steel
<b>Heat Sink</b>	N/A
<b>Center Contact</b>	1.27um Gold plated BeCu
<b>Net Weight</b>	Approx 5 g

**Environmental**

<b>Operating Temperature</b>	-55°C to 100°C
<b>Storage Temperature</b>	-55°C to 125°C
<b>RoHS</b>	Compliant
<b>Temperature Coefficient</b>	<0.0004 dB/dB/°C

**Dimensions(mm)**



**Notes**

1. Customized dB values, outlines and optimal accuracy/VSWR available.

**Model Description**

**RFHB40XX292A2-F**

1. XX for dB value: 06=6dB, 30=30dB

2. Code for connector configuration:

A=female for two ends; B=male for two ends

C=female for one end and male for the other.