



Coaxial Fixed Attenuator

RFHB40XXKC5A

DC-40 GHz, 1-30 dB, 5 Watts, 2.92mm, Bidirectional

Rev 1

Electrical

Impedance	50 ohm		
Frequency Range	DC-40 GHz		
VSWR	1.25 max		
Input Avg Power	5W@ 25°C ambient, derating linearly to 1W at 100°C		
Peak Power	200W (5 micro-sec pulse width, 1% duty cycle)		
Direction	Bidirectional, 2.92mm female to 2.92mm male (other configurations available)		
Attenuation(dB)	1-10	20	30
Accuracy(dB)	-0.6/+1.0	-0.6/+1.2	-0.6/+1.2

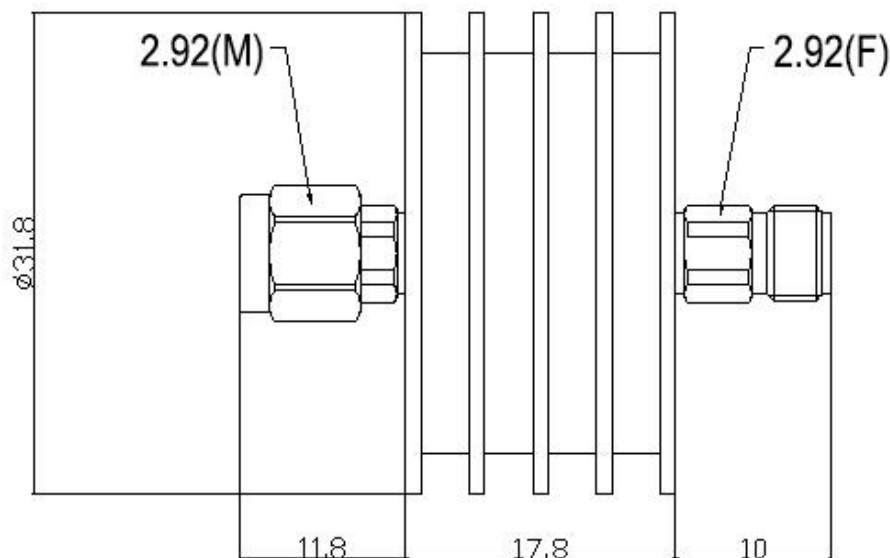
Mechanical

Connector Body	Passivated stainless steel
Heat Sink	Black anodized aluminum
Center Contact	1.27um Gold plated BeCu/brass
Net Weight	Approx 35 g

Environmental

Operating Temperature	-55°C to 100°C
Storage Temperature	-55°C to 125°C
RoHS	Compliant
Temperature Coefficient	<0.0004 dB/dB/°C

Dimensions(mm)



Notes

- To maintain best performance, recommended to use fan to keep the case temperature under 85°C.
- Customized dB values, outlines and optimal accuracy/VSWR available.

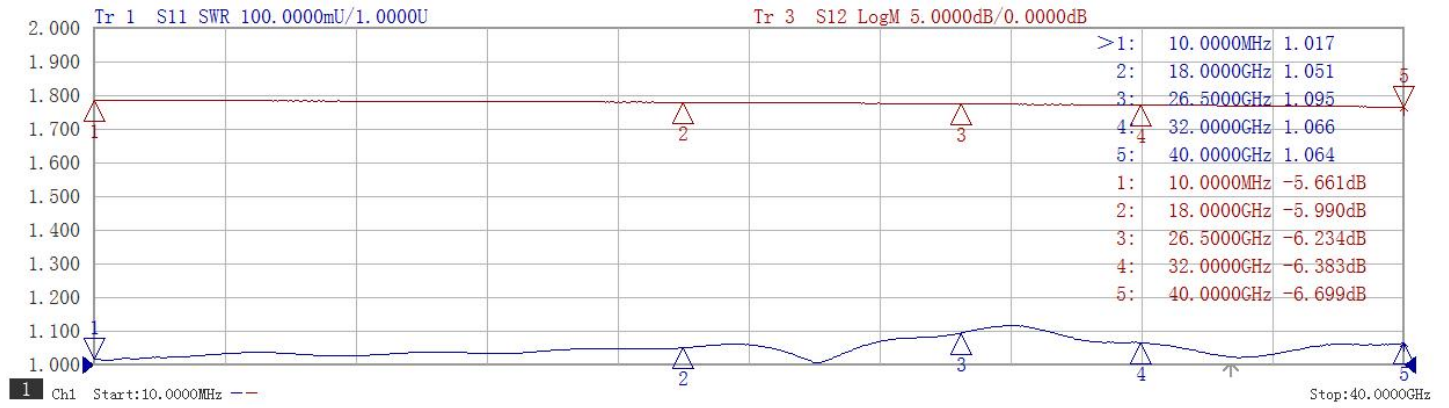
Model Description

RFHB40XXKC5A

- XX for dB value: 06=6dB,30=30dB
- Code for connector configuration:
A=female for two ends; B=male for two ends
C=female for one end and male for the other.

Typical Test Data(Contact us at sales@rfone.cn for test plots of more models)

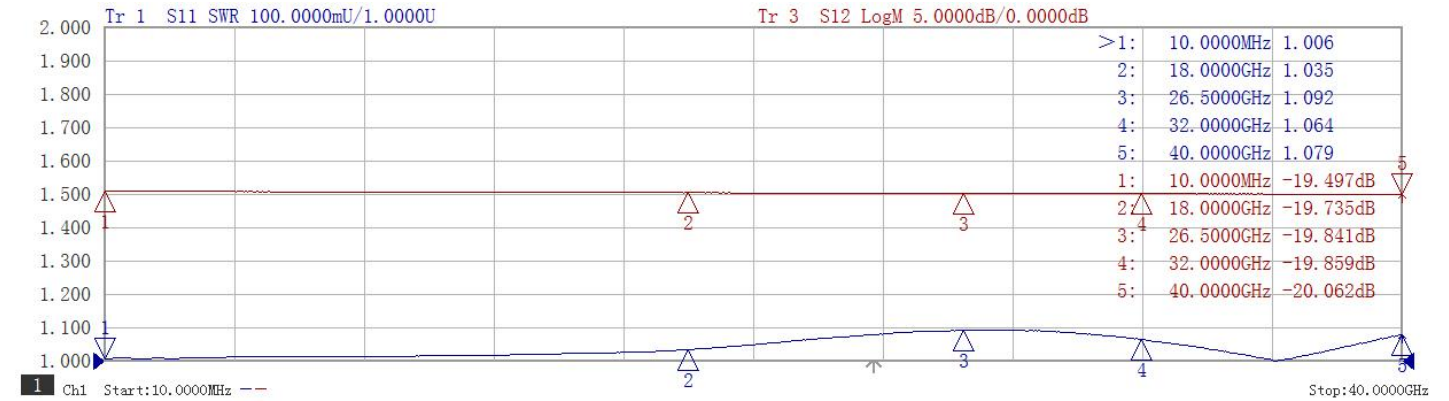
6dB



10dB



20dB



30dB

