

## SPDT Electromechanical Switch, Latching, DC to 67 GHz, 1.85mm, Self Cutoff, TTL, Indicators, Solder Pins

### Electrical

Switch Type	SPDT, Reflective			
Actuator Type	Latching			
Switching Sequence	Break before make			
Switching Time	15 ms max			
Impedance	50 Ohms			
Frequency Range	DC-67 GHz			
*Nominal Actuating Voltage, Vdc	12 (11 to 13)	18 (16 to 20)	24 (22 to 26)	28 (26 to 30)
Actuating Current, mA	200	119	90	115
TTL Control	On: 2.4 to 5 Volts, Off: 0 to 0.8 Volts			
Indicator Rating	1 Watts / 50 Volts / 100 mA			



Frequency (GHz)	DC-6	6-12	12-18	18-26.5	26.5-32	32-50	50-67
VSWR (max)	1.2	1.3	1.4	1.7	1.9	2.0	2.2
Insertion Loss dB (max)	0.20	0.25	0.40	0.70	0.80	1.00	1.20
Isolation dB (min)	70	70	60	55	50	50	50

### Environmental & Mechanical

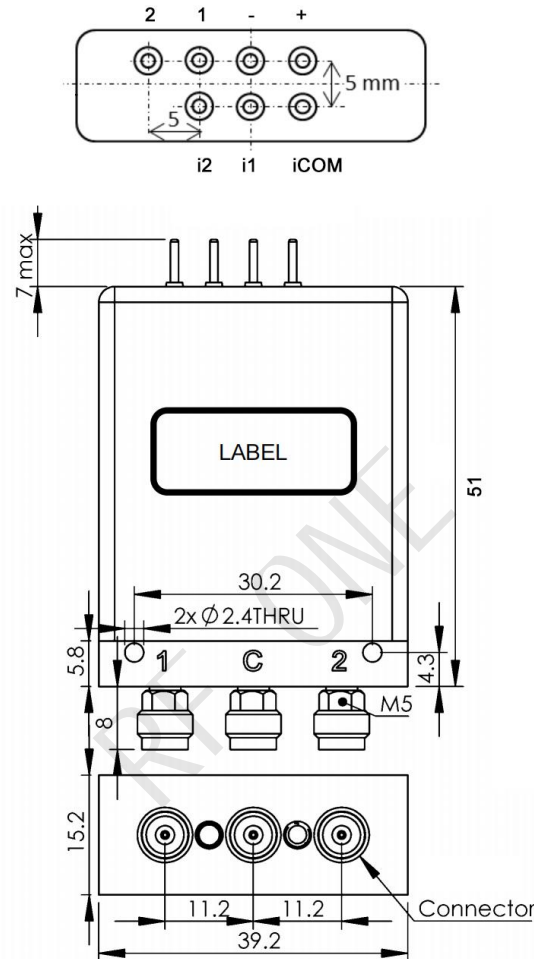
Operating Temperature	-25°C~+65°C
Storage Temperature	-55°C~+85°C
Shock (Designed to meet)	MIL-STD-202 Method 213, Condition D, 500G (Non Operating)
Vibration (Designed to meet)	MIL-STD-202 Method 214, Condition D, 10G RMS (Non Operating)
Operating Life	3 Million Cycles Minimum
RF Connector	1.85mm Female
Actuator Terminals	Solder pins
Weight	About 70g

### Notes

\*For model RS2-V67LXX-TI, replace the XX with the desired Actuator Voltage. Example: RS2-V67L12-TI for 12 Volts.

**SPDT Electromechanical Switch, Latching, DC to 67 GHz, 1.85mm, Self Cutoff, TTL, Indicators, Solder Pins**

Drawing (unit: mm, tolerance +/-0.5mm)



**Schematic**

