

DPDT Electromechanical Switch, Failsafe, DC to 18 GHz, SMA, 9 Pin D-Sub
Electrical

Switch Type	DPDT			
Actuator Type	Failsafe			
Switching Sequence	Break before make			
Switching Time	15 ms max			
Impedance	50 Ohms			
Frequency Range	DC-18 GHz			
*Nominal Actuating Voltage, Vdc	12 (11 to 13)	18 (16 to 20)	24 (22 to 26)	28 (26 to 30)
Actuating Current, mA	380	280	200	180



Frequency (GHz)	DC-6	6-12	12-18
VSWR (max)	1.2	1.3	1.35
Insertion Loss dB (max)	0.20	0.25	0.40
Isolation dB (min)	80	70	60

Environmental & Mechanical

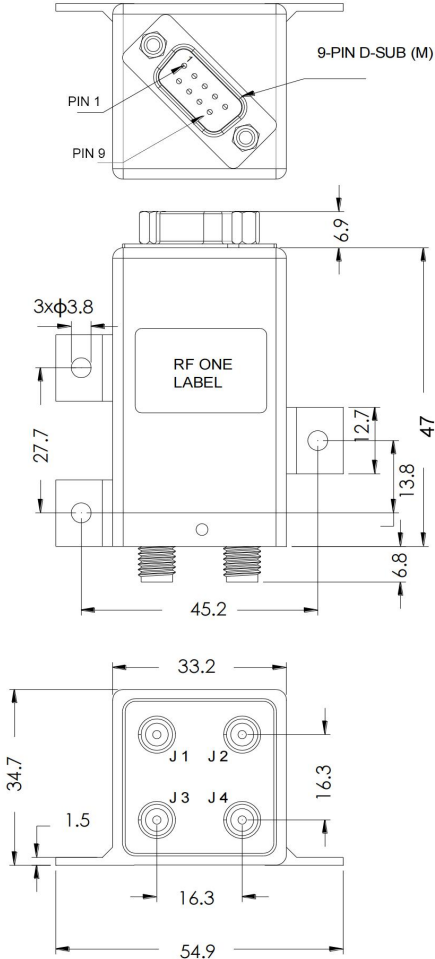
Operating Temperature	-25°C~+65°C
Storage Temperature	-55°C~+85°C
Shock (Designed to meet)	MIL-STD-202 Method 213, Condition D, 500G (Non Operating)
Vibration (Designed to meet)	MIL-STD-202 Method 214, Condition D, 10G RMS (Non Operating)
Operating Life	3 Million Cycles Minimum
RF Connector	SMA Female
Actuator Terminals	9 Pin D-Sub
Weight	About 120g

Notes

*For model RD2-S18FXX-D, replace the XX with the desired Actuator Voltage. Example: RD2-S18F12-D for 12 Volts.

DPDT Electromechanical Switch, Failsafe, DC to 18 GHz, SMA, 9 Pin D-Sub

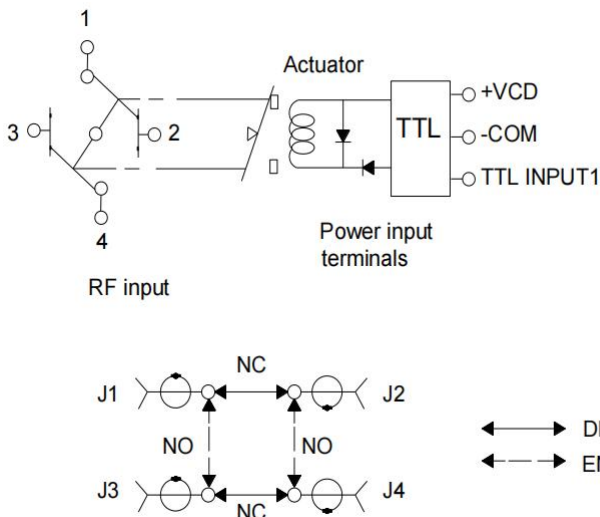
Drawing (unit: mm, tolerance +/-0.5mm)



9 Pin D-Sub

Pin No.	Define
1	+VDC
2	N/A
3	-COM
4	N/A
5	N/A
6	N/A
7	N/A
8	N/A
9	N/A

Schematic



Voltage	RF Path
De-energized	J1-J2 J3-J4
Energized	J1-J3 J2-J4