

Waveguide to Coaxial Adapter **AWR2224S**

WR22 to 2.4mm Female, UG599/U Square Cover Flange, Right Angle



Rev 1

Electrical

Frequency Range	32.9-50.1 GHz
VSWR	1.25 max

Configuration

Waveguide Size	IEC	400
	EIA	WR22
Flange Type	UG599/U	
Coax Connector	2.4mm Female	
Body Geometry	Right Angle	

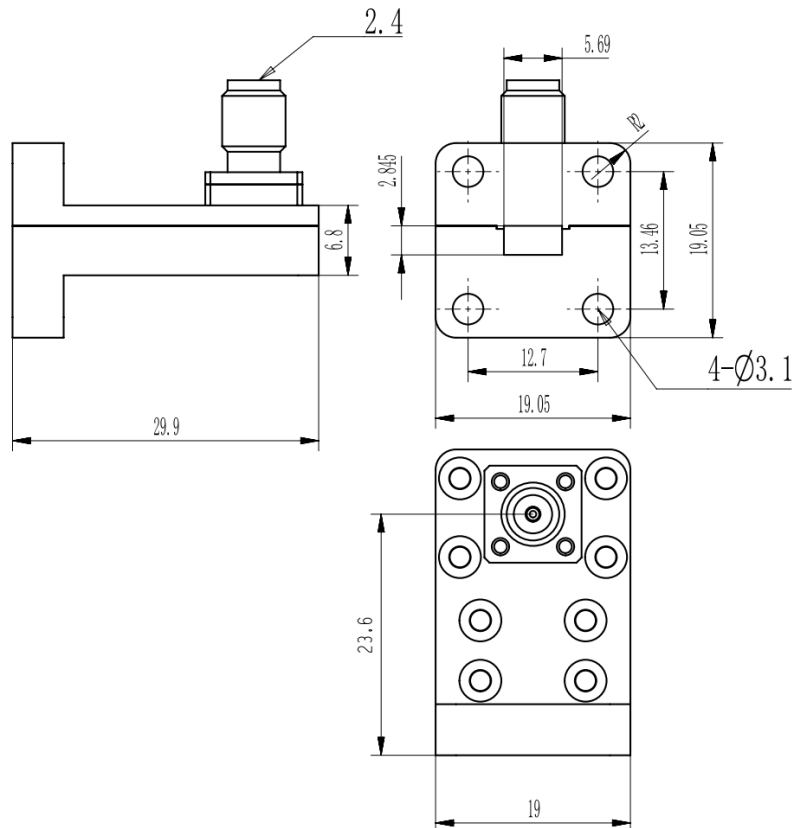
Materials

Waveguide Body	Brass, gold plated
Connector Body	Passivated stainless steel
Center Contact	Gold plated beryllium copper

Mechanical & Environmental

Operating Temp	-40°C to 70°C
Connector Interface	IEC-61169
RoHS	Compliant

Dimensions(mm)



Waveguide to Coaxial Adapter **AWR2224S**

WR22 to 2.4mm Female, UG599/U Square Cover Flange, Right Angle



Rev 1

Typical Test Data

