


Electrical

| | | | | |
|------------------------|--|--|--|--|
| Impedance | 50 ohm | | | |
| Frequency Range | DC-12.4 GHz | | | |
| VSWR | 1.25 max | | | |
| Input Avg Power | 25W@ 25°C ambient, derating linearly to 2.5W at 100°C | | | |
| Peak Power | 1kW (5 micro-sec pulse width, 1% duty cycle) | | | |
| Direction | Bidirectional, SMA female to SMA male (other configurations available) | | | |

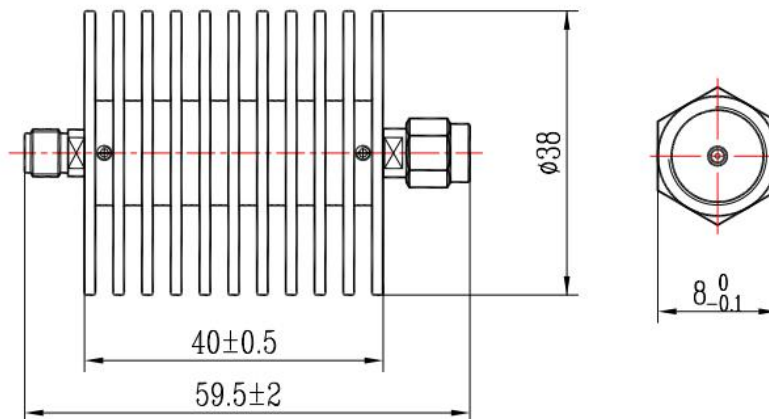
| | | | | |
|------------------------|------|-------|-------|-------|
| Attenuation(dB) | 1-10 | 11-20 | 21-30 | 31-40 |
| Accuracy(dB) | ±0.6 | ±0.7 | ±0.8 | ±0.9 |

Mechanical

| | |
|-----------------------|------------------------------------|
| Connector Body | Passivated stainless steel |
| Heat Sink | Black anodized aluminum |
| Center Contact | Gold plated beryllium copper/brass |
| Net Weight | Approx 70 g |

Environmental

| | |
|--------------------------------|------------------|
| Operating Temperature | -55°C to 100°C |
| Storage Temperature | -55°C to 125°C |
| RoHS | Compliant |
| Temperature Coefficient | <0.0004 dB/dB/°C |

Dimensions(mm)

Notes

- 1.To maintain best performance, recommended to use fan to keep the case temperature under 85°C.
- 2.Customized dB values, outlines and optimal accuracy/VSWR available.

Model Description
RFHB12XXSC25

- 1.XX for dB value: 06=6dB,30=30dB
- 2.Code for connector configuration:
A=female for two ends; B=male for two ends
C=female for one end and male for the other.