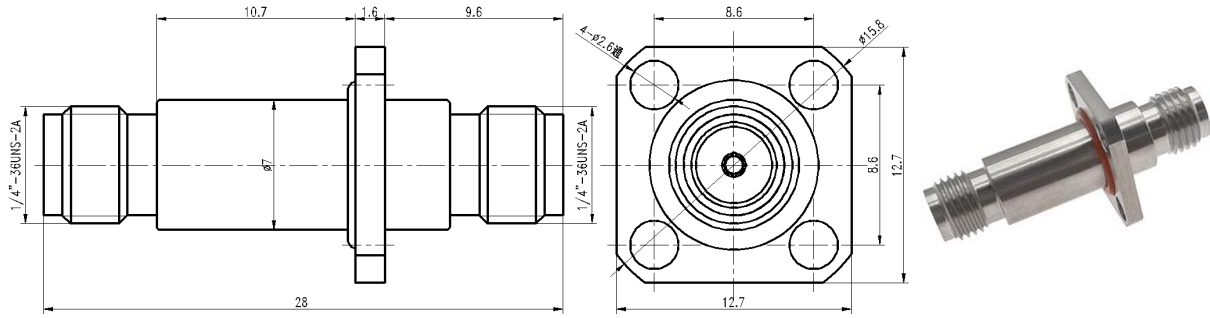


Drawing(mm)



Electrical & Environmental

Impedance	50 ohm
Frequency Range	40 GHz
VSWR	1.15 max
Operating Temp	-55°C to +165°C
Interface	2.92mm per MIL-STD-348B

Material

Connector Body	Passivated stainless steel
Center Contact	Gold plated beryllium copper
Insulator	PEI
O-ring	Silicone rubber

Typical Test Data

