



Electrical

| | | | | | |
|------------------------|--|--|--|--|--|
| Impedance | 50 ohm | | | | |
| Frequency Range | DC-6 GHz | | | | |
| VSWR | 1.25 max | | | | |
| Input Avg Power | 150W@ 25°C ambient, derating linearly to 15W at 100°C | | | | |
| Peak Power | 5kW (5 micro-sec pulse width, 1% duty cycle) | | | | |
| Direction | Unidirectional, N male input, N female output (other configurations available) | | | | |

| | | | | | |
|------------------------|------|------|------|------|-------|
| Attenuation(dB) | 6-10 | 20 | 30 | 40 | 50,60 |
| Accuracy(dB) | ±0.8 | ±0.8 | ±0.9 | ±0.9 | ±0.9 |

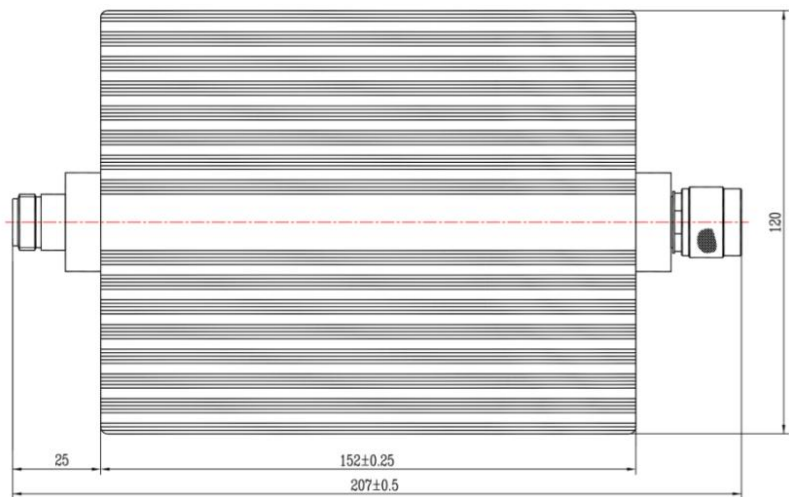
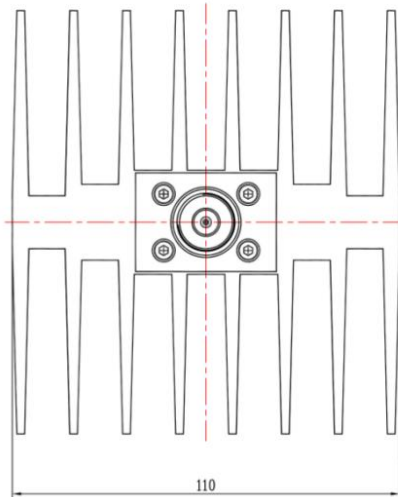
Mechanical

| | |
|-----------------------|------------------------------------|
| Connector Body | Ternary alloy plated brass |
| Heat Sink | Black anodized aluminum |
| Center Contact | Gold plated beryllium copper/brass |
| Net Weight | Approx 2200 g |

Environmental

| | |
|--------------------------------|------------------|
| Operating Temperature | -55°C to 100°C |
| Storage Temperature | -55°C to 125°C |
| RoHS | Compliant |
| Temperature Coefficient | <0.0004 dB/dB/°C |

Dimensions(mm)



Notes

1. Always pay attention to the direction of attenuators.
2. To maintain best performance, recommended to use fan to keep the case temperature under 85°C.
3. Customized dB values, outlines and optimal accuracy/VSWR available.

Model Description

RFH06XXND150-D

1. XX for dB value: 06=6dB, 30=30dB
2. Code for connector configuration:
 A=female for two ends; B=male for two ends
 C=female for input and male for output;
 D=male for input and female for output.