

# Keysight InfiniiVision 3000 X-Series Oscilloscopes

# Notices

© Keysight Technologies, Inc. 2005-2020

No part of this manual may be reproduced in any form or by any means (including electronic storage and retrieval or translation into a foreign language) without prior agreement and written consent from Keysight Technologies, Inc. as governed by United States and international copyright laws.

## Revision

Version 02.60.0000

## Edition

November 2020

Available in electronic format only

Published by:

Keysight Technologies, Inc.  
1900 Garden of the Gods Road  
Colorado Springs, CO 80907 USA

## Warranty

**The material contained in this document is provided "as is," and is subject to being changed, without notice, in future editions. Further, to the maximum extent permitted by applicable law, Keysight disclaims all warranties, either express or implied, with regard to this manual and any information contained herein, including but not limited to the implied warranties of merchantability and fitness for a particular purpose. Keysight shall not be liable for errors or for incidental or consequential damages in connection with the furnishing, use, or performance of this document or of any information contained herein. Should Keysight and the user have a separate written agreement with warranty terms covering the material in this document that conflict with these terms, the warranty terms in the separate agreement shall control.**

## Technology License

The hardware and/or software described in this document are furnished under a license and may be used or copied only in accordance with the terms of such license.

## U.S. Government Rights

The Software is "commercial computer software," as defined by Federal Acquisition Regulation ("FAR") 2.101. Pursuant to FAR 12.212 and 27.405-3 and Department of Defense FAR Supplement ("DFARS") 227.7202, the U.S. government acquires commercial computer software under the same terms by which the software is customarily provided to the public. Accordingly, Keysight provides the Software to U.S. government customers under its standard commercial license, which is embodied in its End User License Agreement (EULA), a copy of which can be found at [www.keysight.com/find/sweula](http://www.keysight.com/find/sweula). The license set forth in the EULA represents the exclusive authority by which the U.S. government may use, modify, distribute, or disclose the Software. The EULA and the license set forth therein, does not require or permit, among other things, that Keysight: (1) Furnish technical information related to commercial computer software or commercial computer software documentation that is not customarily provided to the public; or (2) Relinquish to, or otherwise provide, the government rights in excess of these rights customarily provided to the public to use, modify, reproduce, release, perform, display, or disclose commercial computer software or commercial computer software documentation. No additional government requirements beyond those set forth in the EULA shall apply, except to the extent that those terms, rights, or licenses are explicitly required from all providers of commercial computer software pursuant to the FAR and the DFARS and are set forth specifically in writing elsewhere in the EULA. Keysight shall be under no obligation to update, revise or otherwise modify the Software. With respect to any technical data as defined by FAR 2.101, pursuant to FAR 12.211 and 27.404.2 and DFARS 227.7102, the U.S. government acquires no greater than Limited Rights as defined in FAR 27.401 or DFAR 227.7103-5 (c), as applicable in any technical data.

## Safety Notices

### CAUTION

A **CAUTION** notice denotes a hazard. It calls attention to an operating procedure, practice, or the like that, if not correctly performed or adhered to, could result in damage to the product or loss of important data. Do not proceed beyond a **CAUTION** notice until the indicated conditions are fully understood and met.

---

### WARNING

A **WARNING** notice denotes a hazard. It calls attention to an operating procedure, practice, or the like that, if not correctly performed or adhered to, could result in personal injury or death. Do not proceed beyond a **WARNING** notice until the indicated conditions are fully understood and met.

---

# In This Book

This book is your guide to programming the 3000 X-Series oscilloscopes:

**Table 1** InfiniiVision 3000 X-Series Oscilloscope Models, Bandwidths, Sample Rates

Bandwidth	100 MHz	200 MHz	350 MHz	500 MHz	1 GHz
Sample Rate (interleaved, non-interleaved)	4 GSa/s, 2 GSa/s	4 GSa/s, 2 GSa/s	4 GSa/s, 2 GSa/s	4 GSa/s, 2 GSa/s	5 GSa/s, 2.5 GSa/s
4 analog + 16 digital (mixed signal) channels	MSO-X 3014A	MSO-X 3024A	MSO-X 3034A	MSO-X 3054A	MSO-X 3104A
2 analog + 16 digital (mixed signal) channels	MSO-X 3012A		MSO-X 3032A	MSO-X 3052A	MSO-X 3102A
4 analog channels	DSO-X 3014A	DSO-X 3024A	DSO-X 3034A	DSO-X 3054A	DSO-X 3104A
2 analog channels	DSO-X 3012A		DSO-X 3032A	DSO-X 3052A	DSO-X 3102A

The first few chapters describe how to set up and get started:

- **Chapter 1**, “What’s New,” starting on page 31, describes programming command changes in the latest version of oscilloscope software.
- **Chapter 2**, “Setting Up,” starting on page 55, describes the steps you must take before you can program the oscilloscope.
- **Chapter 3**, “Getting Started,” starting on page 63, gives a general overview of oscilloscope program structure and shows how to program the oscilloscope using a few simple examples.
- **Chapter 4**, “Commands Quick Reference,” starting on page 77, is a brief listing of the 3000 X-Series oscilloscope commands and syntax.

The next chapters provide reference information on common commands, root level commands, other subsystem commands, and error messages:

- **Chapter 5**, “Common (\*) Commands,” starting on page 171, describes commands defined by the IEEE 488.2 standard that are common to all instruments.
- **Chapter 6**, “Root (: ) Commands,” starting on page 199, describes commands that reside at the root level of the command tree and control many of the basic functions of the oscilloscope.
- **Chapter 7**, “:ACQUIRE Commands,” starting on page 239, describes commands for setting the parameters used when acquiring and storing data.
- **Chapter 8**, “:BUS<n> Commands,” starting on page 253, describes commands that control all oscilloscope functions associated with the digital channels bus display.
- **Chapter 9**, “:CALIBRATE Commands,” starting on page 263, describes utility commands for determining the state of the calibration factor protection button.

- **Chapter 10**, “:CHANnel<n> Commands,” starting on page 273, describes commands that control all oscilloscope functions associated with individual analog channels or groups of channels.
- **Chapter 11**, “:DEMO Commands,” starting on page 295, describes commands that control the education kit (Option EDU) demonstration signals that can be output on the oscilloscope's Demo 1 and Demo 2 terminals.
- **Chapter 12**, “:DIGital<d> Commands,” starting on page 303, describes commands that control all oscilloscope functions associated with individual digital channels.
- **Chapter 13**, “:DISPlay Commands,” starting on page 311, describes commands that control how waveforms, graticule, and text are displayed and written on the screen.
- **Chapter 14**, “:DVM Commands,” starting on page 327, describes commands that control the optional DSOXDVM digital voltmeter analysis feature.
- **Chapter 15**, “:EXTeRnal Trigger Commands,” starting on page 335, describes commands that control the input characteristics of the external trigger input.
- **Chapter 16**, “:FUNcTion Commands,” starting on page 341, describes commands that control math waveforms.
- **Chapter 17**, “:HARDcopy Commands,” starting on page 375, describes commands that set and query the selection of hardcopy device and formatting options.
- **Chapter 18**, “:LISTer Commands,” starting on page 393, describes commands that turn on/off the Lister display for decoded serial data and get the Lister data.
- **Chapter 19**, “:MARKer Commands,” starting on page 397, describes commands that set and query the settings of X-axis markers (X1 and X2 cursors) and the Y-axis markers (Y1 and Y2 cursors).
- **Chapter 20**, “:MEASure Commands,” starting on page 415, describes commands that select automatic measurements (and control markers).
- **Chapter 21**, “:MEASure Power Commands,” starting on page 493, describes measurement commands that are available when the DSOX3PWR power measurements and analysis application is licensed and enabled.
- **Chapter 22**, “:MTEST Commands,” starting on page 513, describes commands that control the mask test features provided with Option LMT.
- **Chapter 23**, “:POD Commands,” starting on page 547, describes commands that control all oscilloscope functions associated with groups of digital channels.
- **Chapter 24**, “:POWER Commands,” starting on page 553, describes commands that control the DSOX3PWR power measurement application.
- **Chapter 25**, “:RECall Commands,” starting on page 621, describes commands that recall previously saved oscilloscope setups, reference waveforms, or masks.

- **Chapter 26**, “:SAVE Commands,” starting on page 629, describes commands that save oscilloscope setups, screen images, and data.
- **Chapter 27**, “:SBUS<n> Commands,” starting on page 653, describes commands that control oscilloscope functions associated with the serial decode bus and serial triggering.
- **Chapter 28**, “:SEARch Commands,” starting on page 803, describes commands that control oscilloscope functions associated with searching for waveform events.
- **Chapter 29**, “:SYSTem Commands,” starting on page 877, describes commands that control basic system functions of the oscilloscope.
- **Chapter 30**, “:TIMEbase Commands,” starting on page 899, describes commands that control all horizontal sweep functions.
- **Chapter 31**, “:TRIGger Commands,” starting on page 911, describes commands that control the trigger modes and parameters for each trigger type.
- **Chapter 32**, “:WAVEform Commands,” starting on page 991, describes commands that provide access to waveform data.
- **Chapter 33**, “:WGEN Commands,” starting on page 1027, describes commands that control waveform generator (Option WGN) functions and parameters.
- **Chapter 34**, “:WMEMory<r> Commands,” starting on page 1069, describes commands that control reference waveforms.
- **Chapter 35**, “Obsolete and Discontinued Commands,” starting on page 1079, describes obsolete commands which still work but have been replaced by newer commands and discontinued commands which are no longer supported.
- **Chapter 36**, “Error Messages,” starting on page 1131, lists the instrument error messages that can occur while programming the oscilloscope.

The command descriptions in this reference show upper and lowercase characters. For example, :AUToscale indicates that the entire command name is :AUTOSCALE. The short form, :AUT, is also accepted by the oscilloscope.

Then, there are chapters that describe programming topics and conceptual information in more detail:

- **Chapter 37**, “Status Reporting,” starting on page 1139, describes the oscilloscope's status registers and how to check the status of the instrument.
- **Chapter 38**, “Synchronizing Acquisitions,” starting on page 1161, describes how to wait for acquisitions to complete before querying measurement results or performing other operations with the captured data.
- **Chapter 39**, “More About Oscilloscope Commands,” starting on page 1171, contains additional information about oscilloscope programming commands.

Finally, there is a chapter that contains programming examples:

- **Chapter 40**, “Programming Examples,” starting on page 1181.

## Mixed-Signal Oscilloscope Channel Differences

Because both the "analog channels only" oscilloscopes (DSO models) and the mixed-signal oscilloscopes (MSO models) have analog channels, topics that describe analog channels refer to all oscilloscope models. Whenever a topic describes digital channels, that information applies only to the mixed-signal oscilloscope models.

### See Also

- For more information on using the SICL, VISA, and VISA COM libraries in general, see the documentation that comes with the Keysight IO Libraries Suite.
- For information on controller PC interface configuration, see the documentation for the interface card used (for example, the Keysight 82350B GPIB interface).
- For information on oscilloscope front-panel operation, see the *User's Guide*.
- For detailed connectivity information, refer to the *Keysight Technologies USB/LAN/GPIB Connectivity Guide*. For a printable electronic copy of the *Connectivity Guide*, direct your Web browser to [www.keysight.com](http://www.keysight.com) and search for "Connectivity Guide".
- For the latest versions of this and other manuals, see: <http://www.keysight.com/find/3000X-Series-manual>

# Contents

In This Book / 3

## 1 What's New

What's New in Version 2.60	/ 32
What's New in Version 2.50	/ 33
What's New in Version 2.43	/ 34
What's New in Version 2.39	/ 35
What's New in Version 2.38	/ 36
What's New in Version 2.30	/ 37
What's New in Version 2.20	/ 38
What's New in Version 2.10	/ 41
What's New in Version 2.00	/ 42
What's New in Version 1.20	/ 46
What's New in Version 1.10	/ 48
Version 1.00 at Introduction	/ 49
Command Differences From 7000B Series Oscilloscopes	/ 50

## 2 Setting Up

Step 1. Install Keysight IO Libraries Suite software	/ 56
Step 2. Connect and set up the oscilloscope	/ 57
Using the USB (Device) Interface	/ 57
Using the LAN Interface	/ 57
Using the GPIB Interface	/ 58
Step 3. Verify the oscilloscope connection	/ 59

## 3 Getting Started

Basic Oscilloscope Program Structure	/ 64
Initializing	/ 64
Capturing Data	/ 64
Analyzing Captured Data	/ 65

Programming the Oscilloscope /	66
Referencing the IO Library /	66
Opening the Oscilloscope Connection via the IO Library /	67
Initializing the Interface and the Oscilloscope /	67
Using :AUToscale to Automate Oscilloscope Setup /	68
Using Other Oscilloscope Setup Commands /	68
Capturing Data with the :DIGitize Command /	69
Reading Query Responses from the Oscilloscope /	71
Reading Query Results into String Variables /	72
Reading Query Results into Numeric Variables /	72
Reading Definite-Length Block Query Response Data /	72
Sending Multiple Queries and Reading Results /	73
Checking Instrument Status /	74
Other Ways of Sending Commands /	75
Telnet Sockets /	75
Sending SCPI Commands Using Browser Web Control /	75

## 4 Commands Quick Reference

Command Summary /	78
Syntax Elements /	167
Number Format /	167
<NL> (Line Terminator) /	167
[ ] (Optional Syntax Terms) /	167
{ } (Braces) /	167
::= (Defined As) /	167
< > (Angle Brackets) /	168
... (Ellipsis) /	168
n,...,p (Value Ranges) /	168
d (Digits) /	168
Quoted ASCII String /	168
Definite-Length Block Response Data /	168

## 5 Common (\*) Commands

*CLS (Clear Status) /	176
*ESE (Standard Event Status Enable) /	177
*ESR (Standard Event Status Register) /	179
*IDN (Identification Number) /	181
*LRN (Learn Device Setup) /	182
*OPC (Operation Complete) /	183
*OPT (Option Identification) /	184



- \*RCL (Recall) / 186
- \*RST (Reset) / 187
- \*SAV (Save) / 190
- \*SRE (Service Request Enable) / 191
- \*STB (Read Status Byte) / 193
- \*TRG (Trigger) / 195
- \*TST (Self Test) / 196
- \*WAI (Wait To Continue) / 197

## 6 Root (:) Commands

- :ACTivity / 203
- :AER (Arm Event Register) / 204
- :AUToscale / 205
- :AUToscale:AMODE / 207
- :AUToscale:CHANnels / 208
- :AUToscale:FDEBug / 209
- :BLANk / 210
- :DIGitize / 211
- :MTEenable (Mask Test Event Enable Register) / 213
- :MTERegister[:EVENT] (Mask Test Event Event Register) / 215
- :OPEE (Operation Status Enable Register) / 217
- :OPERRegister:CONDition (Operation Status Condition Register) / 219
- :OPERRegister[:EVENT] (Operation Status Event Register) / 221
- :OVLenable (Overload Event Enable Register) / 223
- :OVLRegister (Overload Event Register) / 225
- :PRINt / 227
- :PWREnable (Power Event Enable Register) / 228
- :PWRRegister[:EVENT] (Power Event Event Register) / 230
- :RSTate? / 231
- :RUN / 232
- :SERial / 233
- :SINGle / 234
- :STATus / 235
- :STOP / 236
- :TER (Trigger Event Register) / 237
- :VIEW / 238

## 7 :ACQUIRE Commands

- :ACQUIRE:COMPLete / 241
- :ACQUIRE:COUNt / 242
- :ACQUIRE:MODE / 243

:ACQUIRE:POINTS / 244  
:ACQUIRE:SEGMENTED:ANALYZE / 245  
:ACQUIRE:SEGMENTED:COUNT / 246  
:ACQUIRE:SEGMENTED:INDEX / 247  
:ACQUIRE:SRATE / 250  
:ACQUIRE:TYPE / 251

## 8 :BUS<n> Commands

:BUS<n>:BIT<m> / 255  
:BUS<n>:BITS / 256  
:BUS<n>:CLEAR / 258  
:BUS<n>:DISPLAY / 259  
:BUS<n>:LABEL / 260  
:BUS<n>:MASK / 261

## 9 :CALIBRATE Commands

:CALIBRATE:DATE / 265  
:CALIBRATE:LABEL / 266  
:CALIBRATE:OUTPUT / 267  
:CALIBRATE:PROTECTED / 268  
:CALIBRATE:START / 269  
:CALIBRATE:STATUS / 270  
:CALIBRATE:TEMPERATURE / 271  
:CALIBRATE:TIME / 272

## 10 :CHANNEL<n> Commands

:CHANNEL<n>:BANDWIDTH / 276  
:CHANNEL<n>:BWLIMIT / 277  
:CHANNEL<n>:COUPLING / 278  
:CHANNEL<n>:DISPLAY / 279  
:CHANNEL<n>:IMPEDANCE / 280  
:CHANNEL<n>:INVERT / 281  
:CHANNEL<n>:LABEL / 282  
:CHANNEL<n>:OFFSET / 283  
:CHANNEL<n>:PROBE / 284  
:CHANNEL<n>:PROBE:CALIBRATION / 285  
:CHANNEL<n>:PROBE:HEAD[:TYPE] / 286  
:CHANNEL<n>:PROBE:ID / 287  
:CHANNEL<n>:PROBE:SKEW / 288  
:CHANNEL<n>:PROBE:STYPE / 289  
:CHANNEL<n>:PROTECTION / 290

:CHANnel<n>:RANGe / 291  
:CHANnel<n>:SCALE / 292  
:CHANnel<n>:UNITs / 293  
:CHANnel<n>:VERNier / 294

## 11 :DEMO Commands

:DEMO:FUNCTion / 296  
:DEMO:FUNCTion:PHASe:PHASe / 300  
:DEMO:OUTPut / 301

## 12 :DIGital<d> Commands

:DIGital<d>:DISPlay / 305  
:DIGital<d>:LABel / 306  
:DIGital<d>:POSition / 307  
:DIGital<d>:SIZE / 308  
:DIGital<d>:THReshold / 309

## 13 :DISPlay Commands

:DISPlay:ANNotation / 313  
:DISPlay:ANNotation:BACKground / 314  
:DISPlay:ANNotation:COLor / 315  
:DISPlay:ANNotation:TEXT / 316  
:DISPlay:CLEar / 317  
:DISPlay:DATA / 318  
:DISPlay:INTensity:WAVEform / 320  
:DISPlay:LABel / 321  
:DISPlay:LABList / 322  
:DISPlay:PERsistence / 323  
:DISPlay:PERsistence:CLEar / 324  
:DISPlay:VECTors / 325

## 14 :DVM Commands

:DVM:ARANGe / 328  
:DVM:CURREnt / 329  
:DVM:ENABLE / 330  
:DVM:FREQUency / 331  
:DVM:MODE / 332  
:DVM:SOURce / 333

## 15 :EXTErnal Trigger Commands

:EXTErnal:BWLimit / 336

:EXternal:PROBe / 337  
:EXternal:RANGe / 338  
:EXternal:UNITs / 339

## 16 :FUNction Commands

:FUNction:BUS:CLOCK / 346  
:FUNction:BUS:SLOPe / 347  
:FUNction:BUS:YINCrement / 348  
:FUNction:BUS:YORigin / 349  
:FUNction:BUS:YUNits / 350  
:FUNction:DISPlay / 351  
:FUNction[:FFT]:CENTer / 352  
:FUNction[:FFT]:SPAN / 353  
:FUNction[:FFT]:VTYPe / 354  
:FUNction[:FFT]:WINDow / 355  
:FUNction:FREQuency:HIGHPass / 356  
:FUNction:FREQuency:LOWPass / 357  
:FUNction:GOFT:OPERation / 358  
:FUNction:GOFT:SOURce1 / 359  
:FUNction:GOFT:SOURce2 / 360  
:FUNction:INTegrate:IOFFset / 361  
:FUNction:LINear:GAIN / 362  
:FUNction:LINear:OFFSet / 363  
:FUNction:OFFSet / 364  
:FUNction:OPERation / 365  
:FUNction:RANGe / 367  
:FUNction:REFerence / 368  
:FUNction:SCALE / 369  
:FUNction:SOURce1 / 370  
:FUNction:SOURce2 / 372  
:FUNction:TREND:MEASurement / 373

## 17 :HARDcopy Commands

:HARDcopy:AREA / 377  
:HARDcopy:APRinter / 378  
:HARDcopy:FACTors / 379  
:HARDcopy:FFEed / 380  
:HARDcopy:INKSaver / 381  
:HARDcopy:LAYout / 382  
:HARDcopy:NETWork:ADDReSS / 383  
:HARDcopy:NETWork:APPLy / 384

:HARDcopy:NETWork:DOMain / 385  
:HARDcopy:NETWork:PASSword / 386  
:HARDcopy:NETWork:SLOT / 387  
:HARDcopy:NETWork:USERname / 388  
:HARDcopy:PALETTE / 389  
:HARDcopy:PRINter:LIST / 390  
:HARDcopy:STARt / 391

## 18 :LISTer Commands

:LISTer:DATA / 394  
:LISTer:DISPlay / 395  
:LISTer:REFerence / 396

## 19 :MARKer Commands

:MARKer:MODE / 399  
:MARKer:X1Position / 400  
:MARKer:X1Y1source / 401  
:MARKer:X2Position / 402  
:MARKer:X2Y2source / 403  
:MARKer:XDELta / 404  
:MARKer:XUNits / 405  
:MARKer:XUNits:USE / 406  
:MARKer:Y1Position / 407  
:MARKer:Y2Position / 409  
:MARKer:YDELta / 411  
:MARKer:YUNits / 412  
:MARKer:YUNits:USE / 413

## 20 :MEASure Commands

:MEASure:ALL / 430  
:MEASure:AREa / 431  
:MEASure:BRATe / 432  
:MEASure:BWIDth / 433  
:MEASure:CLEar / 434  
:MEASure:COUNter / 435  
:MEASure:DEFine / 436  
:MEASure:DELay / 439  
:MEASure:DUAL:CHARge / 441  
:MEASure:DUAL:VAMPLitude / 442  
:MEASure:DUAL:VAverage / 443  
:MEASure:DUAL:VBASe / 444

:MEASure:DUAL:VPP / 445  
:MEASure:DUAL:VRMS / 446  
:MEASure:DUTYcycle / 447  
:MEASure:FALLtime / 448  
:MEASure:FREQuency / 449  
:MEASure:NDUTy / 450  
:MEASure:NEDGes / 451  
:MEASure:NPULses / 452  
:MEASure:NWIDth / 453  
:MEASure:OVERshoot / 454  
:MEASure:PEDGes / 456  
:MEASure:PERiod / 457  
:MEASure:PHASe / 458  
:MEASure:PPULses / 459  
:MEASure:PREShoot / 460  
:MEASure:PWIDth / 461  
:MEASure:RESults / 462  
:MEASure:RISetime / 465  
:MEASure:SDEVIation / 466  
:MEASure:SHOW / 467  
:MEASure:SOURce / 468  
:MEASure:STATistics / 470  
:MEASure:STATistics:DISPlay / 471  
:MEASure:STATistics:INCRement / 472  
:MEASure:STATistics:MCOunt / 473  
:MEASure:STATistics:RESet / 474  
:MEASure:STATistics:RSDeVIation / 475  
:MEASure:TEDGe / 476  
:MEASure:TVALue / 478  
:MEASure:VAMPLitude / 480  
:MEASure:VAverage / 481  
:MEASure:VBASe / 482  
:MEASure:VMAX / 483  
:MEASure:VMIN / 484  
:MEASure:VPP / 485  
:MEASure:VRATio / 486  
:MEASure:VRMS / 487  
:MEASure:VTIme / 488  
:MEASure:VTOP / 489  
:MEASure:WINDow / 490  
:MEASure:XMAX / 491  
:MEASure:XMIN / 492

## 21 :MEASure Power Commands

- :MEASure:ANGLE / 496
- :MEASure:APParent / 497
- :MEASure:CPLoss / 498
- :MEASure:CRESt / 499
- :MEASure:EFFiciency / 500
- :MEASure:ELOSs / 501
- :MEASure:FACTor / 502
- :MEASure:IPOWer / 503
- :MEASure:OFFTime / 504
- :MEASure:ONTime / 505
- :MEASure:OPOWer / 506
- :MEASure:PCURrent / 507
- :MEASure:PLOSs / 508
- :MEASure:REACTive / 509
- :MEASure:REAL / 510
- :MEASure:RIPPlE / 511
- :MEASure:TRESponse / 512

## 22 :MTEST Commands

- :MTEST:ALL / 518
- :MTEST:AMASk:CREate / 519
- :MTEST:AMASk:SOURce / 520
- :MTEST:AMASk:UNITs / 521
- :MTEST:AMASk:XDELta / 522
- :MTEST:AMASk:YDELta / 523
- :MTEST:COUNt:FWAVEforms / 524
- :MTEST:COUNt:RESet / 525
- :MTEST:COUNt:TIME / 526
- :MTEST:COUNt:WAVEforms / 527
- :MTEST:DATA / 528
- :MTEST:DELeTe / 529
- :MTEST:ENABle / 530
- :MTEST:LOCK / 531
- :MTEST:RMODE / 532
- :MTEST:RMODE:FACTion:MEASure / 533
- :MTEST:RMODE:FACTion:PRINT / 534
- :MTEST:RMODE:FACTion:SAVE / 535
- :MTEST:RMODE:FACTion:STOP / 536
- :MTEST:RMODE:SIGMa / 537
- :MTEST:RMODE:TIME / 538

:MTEST:RMODE:WAVEforms / 539  
:MTEST:SCALE:BIND / 540  
:MTEST:SCALE:X1 / 541  
:MTEST:SCALE:XDELta / 542  
:MTEST:SCALE:Y1 / 543  
:MTEST:SCALE:Y2 / 544  
:MTEST:SOURce / 545  
:MTEST:TITLe / 546

## 23 :POD Commands

:POD<n>:DISPlay / 549  
:POD<n>:SIZE / 550  
:POD<n>:THReshold / 551

## 24 :POWER Commands

:POWER:DESKew / 559  
:POWER:EFFiciency:APPLy / 560  
:POWER:ENABLe / 561  
:POWER:HARMonics:APPLy / 562  
:POWER:HARMonics:DATA / 563  
:POWER:HARMonics:DISPlay / 564  
:POWER:HARMonics:FAILcount / 565  
:POWER:HARMonics:LINE / 566  
:POWER:HARMonics:POWerfactor / 567  
:POWER:HARMonics:RUNCount / 568  
:POWER:HARMonics:STANdard / 569  
:POWER:HARMonics:STATus / 570  
:POWER:HARMonics:THD / 571  
:POWER:INRush:APPLy / 572  
:POWER:INRush:EXIT / 573  
:POWER:INRush:NEXt / 574  
:POWER:MODulation:APPLy / 575  
:POWER:MODulation:SOURce / 576  
:POWER:MODulation:TYPE / 577  
:POWER:ONOff:APPLy / 578  
:POWER:ONOff:EXIT / 579  
:POWER:ONOff:NEXt / 580  
:POWER:ONOff:TEST / 581  
:POWER:PSRR:APPLy / 582  
:POWER:PSRR:FREQuency:MAXimum / 583  
:POWER:PSRR:FREQuency:MINimum / 584



:POWer:PSRR:RMAXimum / 585  
 :POWer:QUALity:APPLy / 586  
 :POWer:QUALity:TYPE / 587  
 :POWer:RIPPlE:APPLy / 588  
 :POWer:SIGNals:AUTosetup / 589  
 :POWer:SIGNals:CYCLes:HARMonics / 590  
 :POWer:SIGNals:CYCLes:QUALity / 591  
 :POWer:SIGNals:DURation:EFFiciency / 592  
 :POWer:SIGNals:DURation:MODulation / 593  
 :POWer:SIGNals:DURation:ONOff:OFF / 594  
 :POWer:SIGNals:DURation:ONOff:ON / 595  
 :POWer:SIGNals:DURation:RIPPlE / 596  
 :POWer:SIGNals:DURation:TRANsient / 597  
 :POWer:SIGNals:IEXpected / 598  
 :POWer:SIGNals:OVERshoot / 599  
 :POWer:SIGNals:VMAXimum:INRush / 600  
 :POWer:SIGNals:VMAXimum:ONOff:OFF / 601  
 :POWer:SIGNals:VMAXimum:ONOff:ON / 602  
 :POWer:SIGNals:VSTeady:ONOff:OFF / 603  
 :POWer:SIGNals:VSTeady:ONOff:ON / 604  
 :POWer:SIGNals:VSTeady:TRANsient / 605  
 :POWer:SIGNals:SOURce:CURRent<i> / 606  
 :POWer:SIGNals:SOURce:VOLTage<i> / 607  
 :POWer:SLEW:APPLy / 608  
 :POWer:SLEW:SOURce / 609  
 :POWer:SWITCh:APPLy / 610  
 :POWer:SWITCh:CONDuction / 611  
 :POWer:SWITCh:IREference / 612  
 :POWer:SWITCh:RDS / 613  
 :POWer:SWITCh:VCE / 614  
 :POWer:SWITCh:VREFerence / 615  
 :POWer:TRANsient:APPLy / 616  
 :POWer:TRANsient:EXIT / 617  
 :POWer:TRANsient:IINitial / 618  
 :POWer:TRANsient:INEW / 619  
 :POWer:TRANsient:NEXT / 620

## 25 :RECall Commands

:RECall:ARBitrary[:START] / 623  
 :RECall:FILEname / 624  
 :RECall:MASK[:START] / 625

:RECall:PWD / 626  
:RECall:SETup[:START] / 627  
:RECall:WMEMemory<r>[:START] / 628

## 26 :SAVE Commands

:SAVE:ARBitrary[:START] / 632  
:SAVE:FILEname / 633  
:SAVE:IMAGe[:START] / 634  
:SAVE:IMAGe:FACTors / 635  
:SAVE:IMAGe:FORMat / 636  
:SAVE:IMAGe:INKSaver / 637  
:SAVE:IMAGe:PALette / 638  
:SAVE:LISTer[:START] / 639  
:SAVE:MASK[:START] / 640  
:SAVE:MULTi[:START] / 641  
:SAVE:POWEr[:START] / 642  
:SAVE:PWD / 643  
:SAVE:SETup[:START] / 644  
:SAVE:WAVEform[:START] / 645  
:SAVE:WAVEform:FORMat / 646  
:SAVE:WAVEform:LENGth / 647  
:SAVE:WAVEform:LENGth:MAX / 648  
:SAVE:WAVEform:SEGmented / 649  
:SAVE:WMEMemory:SOURce / 650  
:SAVE:WMEMemory[:START] / 651

## 27 :SBUS<n> Commands

General :SBUS<n> Commands / 655  
:SBUS<n>:DISPlay / 656  
:SBUS<n>:MODE / 657  
:SBUS<n>:A429 Commands / 658  
:SBUS<n>:A429:AUTOsetup / 660  
:SBUS<n>:A429:BASE / 661  
:SBUS<n>:A429:COUNt:ERRor / 662  
:SBUS<n>:A429:COUNt:RESet / 663  
:SBUS<n>:A429:COUNt:WORD / 664  
:SBUS<n>:A429:FORMat / 665  
:SBUS<n>:A429:SIGNal / 666  
:SBUS<n>:A429:SOURce / 667  
:SBUS<n>:A429:SPEed / 668  
:SBUS<n>:A429:TRIGger:LABel / 669

- :SBUS<n>:A429:TRIGger:PATtern:DATA / 670
- :SBUS<n>:A429:TRIGger:PATtern:SDI / 671
- :SBUS<n>:A429:TRIGger:PATtern:SSM / 672
- :SBUS<n>:A429:TRIGger:RANGe / 673
- :SBUS<n>:A429:TRIGger:TYPE / 674
- :SBUS<n>:CAN Commands / 676
  - :SBUS<n>:CAN:COUNT:ERRor / 678
  - :SBUS<n>:CAN:COUNT:OVERload / 679
  - :SBUS<n>:CAN:COUNT:RESet / 680
  - :SBUS<n>:CAN:COUNT:TOTAl / 681
  - :SBUS<n>:CAN:COUNT:UTILization / 682
  - :SBUS<n>:CAN:SAMPlepoint / 683
  - :SBUS<n>:CAN:SIGNal:BAUDrate / 684
  - :SBUS<n>:CAN:SIGNal:DEFinition / 685
  - :SBUS<n>:CAN:SOURce / 686
  - :SBUS<n>:CAN:TRIGger / 687
  - :SBUS<n>:CAN:TRIGger:PATtern:DATA / 689
  - :SBUS<n>:CAN:TRIGger:PATtern:DATA:LENGth / 690
  - :SBUS<n>:CAN:TRIGger:PATtern:ID / 691
  - :SBUS<n>:CAN:TRIGger:PATtern:ID:MODE / 692
- :SBUS<n>:FLEXray Commands / 693
  - :SBUS<n>:FLEXray:AUTosetup / 695
  - :SBUS<n>:FLEXray:BAUDrate / 696
  - :SBUS<n>:FLEXray:CHANnel / 697
  - :SBUS<n>:FLEXray:COUNT:NULL / 698
  - :SBUS<n>:FLEXray:COUNT:RESet / 699
  - :SBUS<n>:FLEXray:COUNT:SYNC / 700
  - :SBUS<n>:FLEXray:COUNT:TOTAl / 701
  - :SBUS<n>:FLEXray:SOURce / 702
  - :SBUS<n>:FLEXray:TRIGger / 703
  - :SBUS<n>:FLEXray:TRIGger:ERRor:TYPE / 704
  - :SBUS<n>:FLEXray:TRIGger:EVENT:AUToset / 705
  - :SBUS<n>:FLEXray:TRIGger:EVENT:BSS:ID / 706
  - :SBUS<n>:FLEXray:TRIGger:EVENT:TYPE / 707
  - :SBUS<n>:FLEXray:TRIGger:FRAMe:CCBase / 708
  - :SBUS<n>:FLEXray:TRIGger:FRAMe:CCRepetition / 709
  - :SBUS<n>:FLEXray:TRIGger:FRAMe:ID / 710
  - :SBUS<n>:FLEXray:TRIGger:FRAMe:TYPE / 711
- :SBUS<n>:I2S Commands / 712
  - :SBUS<n>:I2S:ALIGNment / 715

- :SBUS<n>:I2S:BASE / 716
- :SBUS<n>:I2S:CLOCK:SLOPe / 717
- :SBUS<n>:I2S:RWIDth / 718
- :SBUS<n>:I2S:SOURce:CLOCK / 719
- :SBUS<n>:I2S:SOURce:DATA / 720
- :SBUS<n>:I2S:SOURce:WSElect / 721
- :SBUS<n>:I2S:TRIGger / 722
- :SBUS<n>:I2S:TRIGger:AUDio / 724
- :SBUS<n>:I2S:TRIGger:PATtern:DATA / 725
- :SBUS<n>:I2S:TRIGger:PATtern:FORMat / 727
- :SBUS<n>:I2S:TRIGger:RANGe / 728
- :SBUS<n>:I2S:TWIDth / 730
- :SBUS<n>:I2S:WSLow / 731
- :SBUS<n>:IIC Commands / 732
  - :SBUS<n>:IIC:ASIZe / 734
  - :SBUS<n>:IIC[:SOURce]:CLOCK / 735
  - :SBUS<n>:IIC[:SOURce]:DATA / 736
  - :SBUS<n>:IIC:TRIGger:PATtern:ADDReSS / 737
  - :SBUS<n>:IIC:TRIGger:PATtern:DATA / 738
  - :SBUS<n>:IIC:TRIGger:PATtern:DATA2 / 739
  - :SBUS<n>:IIC:TRIGger:QUALifier / 740
  - :SBUS<n>:IIC:TRIGger[:TYPE] / 741
- :SBUS<n>:LIN Commands / 743
  - :SBUS<n>:LIN:PARity / 745
  - :SBUS<n>:LIN:SAMPlepoint / 746
  - :SBUS<n>:LIN:SIGNal:BAUDrate / 747
  - :SBUS<n>:LIN:SOURce / 748
  - :SBUS<n>:LIN:STANdard / 749
  - :SBUS<n>:LIN:SYNCbreak / 750
  - :SBUS<n>:LIN:TRIGger / 751
  - :SBUS<n>:LIN:TRIGger:ID / 752
  - :SBUS<n>:LIN:TRIGger:PATtern:DATA / 753
  - :SBUS<n>:LIN:TRIGger:PATtern:DATA:LENGth / 755
  - :SBUS<n>:LIN:TRIGger:PATtern:FORMat / 756
- :SBUS<n>:M1553 Commands / 757
  - :SBUS<n>:M1553:AUTOsetup / 758
  - :SBUS<n>:M1553:BASE / 759
  - :SBUS<n>:M1553:SOURce / 760
  - :SBUS<n>:M1553:TRIGger:PATtern:DATA / 761
  - :SBUS<n>:M1553:TRIGger:RTA / 762

- :SBUS<n>:M1553:TRIGger:TYPE / 763
- :SBUS<n>:SPI Commands / 764
  - :SBUS<n>:SPI:BITOrder / 766
  - :SBUS<n>:SPI:CLOCK:SLOPe / 767
  - :SBUS<n>:SPI:CLOCK:TIMEout / 768
  - :SBUS<n>:SPI:FRAMing / 769
  - :SBUS<n>:SPI:SOURce:CLOCK / 770
  - :SBUS<n>:SPI:SOURce:FRAME / 771
  - :SBUS<n>:SPI:SOURce:MISO / 772
  - :SBUS<n>:SPI:SOURce:MOSI / 773
  - :SBUS<n>:SPI:TRIGger:PATtern:MISO:DATA / 774
  - :SBUS<n>:SPI:TRIGger:PATtern:MISO:WIDTh / 775
  - :SBUS<n>:SPI:TRIGger:PATtern:MOSI:DATA / 776
  - :SBUS<n>:SPI:TRIGger:PATtern:MOSI:WIDTh / 777
  - :SBUS<n>:SPI:TRIGger:TYPE / 778
  - :SBUS<n>:SPI:WIDTh / 779
- :SBUS<n>:UART Commands / 780
  - :SBUS<n>:UART:BASE / 783
  - :SBUS<n>:UART:BAUDrate / 784
  - :SBUS<n>:UART:BITOrder / 785
  - :SBUS<n>:UART:COUNT:ERRor / 786
  - :SBUS<n>:UART:COUNT:RESet / 787
  - :SBUS<n>:UART:COUNT:RXFRames / 788
  - :SBUS<n>:UART:COUNT:TXFRames / 789
  - :SBUS<n>:UART:FRAMing / 790
  - :SBUS<n>:UART:PARity / 791
  - :SBUS<n>:UART:POLarity / 792
  - :SBUS<n>:UART:SOURce:RX / 793
  - :SBUS<n>:UART:SOURce:TX / 794
  - :SBUS<n>:UART:TRIGger:BASE / 795
  - :SBUS<n>:UART:TRIGger:BURSt / 796
  - :SBUS<n>:UART:TRIGger:DATA / 797
  - :SBUS<n>:UART:TRIGger:IDLE / 798
  - :SBUS<n>:UART:TRIGger:QUALifier / 799
  - :SBUS<n>:UART:TRIGger:TYPE / 800
  - :SBUS<n>:UART:WIDTh / 801

## 28 :SEARCh Commands

- General :SEARCh Commands / 804
  - :SEARCh:COUNT / 805

- :SEARch:MODE / 806
- :SEARch:STATe / 807
- :SEARch:EDGE Commands / 808
  - :SEARch:EDGE:SLOPe / 809
  - :SEARch:EDGE:SOURce / 810
- :SEARch:GLITch Commands / 811
  - :SEARch:GLITch:GREaterthan / 812
  - :SEARch:GLITch:LESSthan / 813
  - :SEARch:GLITch:POLarity / 814
  - :SEARch:GLITch:QUALifier / 815
  - :SEARch:GLITch:RANGe / 816
  - :SEARch:GLITch:SOURce / 817
- :SEARch:RUNT Commands / 818
  - :SEARch:RUNT:POLarity / 819
  - :SEARch:RUNT:QUALifier / 820
  - :SEARch:RUNT:SOURce / 821
  - :SEARch:RUNT:TIME / 822
- :SEARch:TRANSition Commands / 823
  - :SEARch:TRANSition:QUALifier / 824
  - :SEARch:TRANSition:SLOPe / 825
  - :SEARch:TRANSition:SOURce / 826
  - :SEARch:TRANSition:TIME / 827
- :SEARch:SERial:A429 Commands / 828
  - :SEARch:SERial:A429:LABel / 829
  - :SEARch:SERial:A429:MODE / 830
  - :SEARch:SERial:A429:PATTern:DATA / 831
  - :SEARch:SERial:A429:PATTern:SDI / 832
  - :SEARch:SERial:A429:PATTern:SSM / 833
- :SEARch:SERial:CAN Commands / 834
  - :SEARch:SERial:CAN:MODE / 835
  - :SEARch:SERial:CAN:PATTern:DATA / 836
  - :SEARch:SERial:CAN:PATTern:DATA:LENGth / 837
  - :SEARch:SERial:CAN:PATTern:ID / 838
  - :SEARch:SERial:CAN:PATTern:ID:MODE / 839
- :SEARch:SERial:FLEXray Commands / 840
  - :SEARch:SERial:FLEXray:CYCLe / 841
  - :SEARch:SERial:FLEXray:DATA / 842
  - :SEARch:SERial:FLEXray:DATA:LENGth / 843
  - :SEARch:SERial:FLEXray:FRAMe / 844

- :SEARch:SERial:FLEXray:MODE / 845
- :SEARch:SERial:I2S Commands / 846
  - :SEARch:SERial:I2S:AUDio / 847
  - :SEARch:SERial:I2S:MODE / 848
  - :SEARch:SERial:I2S:PATtern:DATA / 849
  - :SEARch:SERial:I2S:PATtern:FORMat / 850
  - :SEARch:SERial:I2S:RANGe / 851
- :SEARch:SERial:IIC Commands / 852
  - :SEARch:SERial:IIC:MODE / 853
  - :SEARch:SERial:IIC:PATtern:ADDResS / 855
  - :SEARch:SERial:IIC:PATtern:DATA / 856
  - :SEARch:SERial:IIC:PATtern:DATA2 / 857
  - :SEARch:SERial:IIC:QUALifier / 858
- :SEARch:SERial:LIN Commands / 859
  - :SEARch:SERial:LIN:ID / 860
  - :SEARch:SERial:LIN:MODE / 861
  - :SEARch:SERial:LIN:PATtern:DATA / 862
  - :SEARch:SERial:LIN:PATtern:DATA:LENGth / 863
  - :SEARch:SERial:LIN:PATtern:FORMat / 864
- :SEARch:SERial:M1553 Commands / 865
  - :SEARch:SERial:M1553:MODE / 866
  - :SEARch:SERial:M1553:PATtern:DATA / 867
  - :SEARch:SERial:M1553:RTA / 868
- :SEARch:SERial:SPI Commands / 869
  - :SEARch:SERial:SPI:MODE / 870
  - :SEARch:SERial:SPI:PATtern:DATA / 871
  - :SEARch:SERial:SPI:PATtern:WIDTh / 872
- :SEARch:SERial:UART Commands / 873
  - :SEARch:SERial:UART:DATA / 874
  - :SEARch:SERial:UART:MODE / 875
  - :SEARch:SERial:UART:QUALifier / 876

## 29 :SYSTem Commands

- :SYSTem:DATE / 879
- :SYSTem:DIentifier / 880
- :SYSTem:DSP / 881
- :SYSTem:ERRor / 882
- :SYSTem:LOCK / 883
- :SYSTem:MENU / 884

:SYSTem:PRESet / 885  
:SYSTem:PROTection:LOCK / 888  
:SYSTem:RLOGger / 889  
:SYSTem:RLOGger:DESTination / 890  
:SYSTem:RLOGger:DISPlay / 891  
:SYSTem:RLOGger:FNAME / 892  
:SYSTem:RLOGger:STATe / 893  
:SYSTem:RLOGger:TRANSPARENT / 894  
:SYSTem:RLOGger:WMODE / 895  
:SYSTem:SETup / 896  
:SYSTem:TIME / 898

### 30 :TIMebase Commands

:TIMebase:MODE / 901  
:TIMebase:POSition / 902  
:TIMebase:RANGe / 903  
:TIMebase:REFerence / 904  
:TIMebase:SCALE / 905  
:TIMebase:VERNier / 906  
:TIMebase:WINDow:POSition / 907  
:TIMebase:WINDow:RANGe / 908  
:TIMebase:WINDow:SCALE / 909

### 31 :TRIGger Commands

General :TRIGger Commands / 913  
:TRIGger:FORCe / 914  
:TRIGger:HFReject / 915  
:TRIGger:HOLDoff / 916  
:TRIGger:LEVel:ASETup / 917  
:TRIGger:LEVel:HIGH / 918  
:TRIGger:LEVel:LOW / 919  
:TRIGger:MODE / 920  
:TRIGger:NREJect / 921  
:TRIGger:SWEEp / 922  
:TRIGger:DELAy Commands / 923  
:TRIGger:DELAy:ARM:SLOPe / 924  
:TRIGger:DELAy:ARM:SOURce / 925  
:TRIGger:DELAy:TDELAy:TIME / 926  
:TRIGger:DELAy:TRIGger:COUNt / 927  
:TRIGger:DELAy:TRIGger:SLOPe / 928  
:TRIGger:DELAy:TRIGger:SOURce / 929



- :TRIGger:EBURst Commands / 930
  - :TRIGger:EBURst:COUNT / 931
  - :TRIGger:EBURst:IDLE / 932
  - :TRIGger:EBURst:SLOPe / 933
  - :TRIGger:EBURst:SOURce / 934
- :TRIGger[:EDGE] Commands / 935
  - :TRIGger[:EDGE]:COUPling / 936
  - :TRIGger[:EDGE]:LEVel / 937
  - :TRIGger[:EDGE]:REJect / 938
  - :TRIGger[:EDGE]:SLOPe / 939
  - :TRIGger[:EDGE]:SOURce / 940
- :TRIGger:GLITch Commands / 941
  - :TRIGger:GLITch:GREaterthan / 943
  - :TRIGger:GLITch:LESSthan / 944
  - :TRIGger:GLITch:LEVel / 945
  - :TRIGger:GLITch:POLarity / 946
  - :TRIGger:GLITch:QUALifier / 947
  - :TRIGger:GLITch:RANGe / 948
  - :TRIGger:GLITch:SOURce / 949
- :TRIGger:OR Commands / 950
  - :TRIGger:OR / 951
- :TRIGger:PATtern Commands / 952
  - :TRIGger:PATtern / 953
  - :TRIGger:PATtern:FORMat / 955
  - :TRIGger:PATtern:GREaterthan / 956
  - :TRIGger:PATtern:LESSthan / 957
  - :TRIGger:PATtern:QUALifier / 958
  - :TRIGger:PATtern:RANGe / 959
- :TRIGger:RUNT Commands / 960
  - :TRIGger:RUNT:POLarity / 961
  - :TRIGger:RUNT:QUALifier / 962
  - :TRIGger:RUNT:SOURce / 963
  - :TRIGger:RUNT:TIME / 964
- :TRIGger:SHOLd Commands / 965
  - :TRIGger:SHOLd:SLOPe / 966
  - :TRIGger:SHOLd:SOURce:CLOCK / 967
  - :TRIGger:SHOLd:SOURce:DATA / 968
  - :TRIGger:SHOLd:TIME:HOLD / 969
  - :TRIGger:SHOLd:TIME:SETup / 970

- :TRIGger:TRANSition Commands / 971
  - :TRIGger:TRANSition:QUALifier / 972
  - :TRIGger:TRANSition:SLOPe / 973
  - :TRIGger:TRANSition:SOURce / 974
  - :TRIGger:TRANSition:TIME / 975
- :TRIGger:TV Commands / 976
  - :TRIGger:TV:LINE / 977
  - :TRIGger:TV:MODE / 978
  - :TRIGger:TV:POLarity / 979
  - :TRIGger:TV:SOURce / 980
  - :TRIGger:TV:STANdard / 981
  - :TRIGger:TV:UDTV:ENUMber / 982
  - :TRIGger:TV:UDTV:HSYNc / 983
  - :TRIGger:TV:UDTV:HTIME / 984
  - :TRIGger:TV:UDTV:PGTHan / 985
- :TRIGger:USB Commands / 986
  - :TRIGger:USB:SOURce:DMINus / 987
  - :TRIGger:USB:SOURce:DPLus / 988
  - :TRIGger:USB:SPEed / 989
  - :TRIGger:USB:TRIGger / 990

## 32 :WAVeform Commands

- :WAVeform:BYTeorder / 999
- :WAVeform:COUNT / 1000
- :WAVeform:DATA / 1001
- :WAVeform:FORMat / 1003
- :WAVeform:POINts / 1004
- :WAVeform:POINts:MODE / 1006
- :WAVeform:PREamble / 1008
- :WAVeform:SEGmented:COUNT / 1011
- :WAVeform:SEGmented:TTAG / 1012
- :WAVeform:SOURce / 1013
- :WAVeform:SOURce:SUBSource / 1017
- :WAVeform:TYPE / 1018
- :WAVeform:UNSigned / 1019
- :WAVeform:VIEW / 1020
- :WAVeform:XINCrement / 1021
- :WAVeform:XORigin / 1022
- :WAVeform:XREFerence / 1023
- :WAVeform:YINCrement / 1024
- :WAVeform:YORigin / 1025

:WAVeform:YREference / 1026

### 33 :WGEN Commands

:WGEN:ARbitrary:BYTeorder / 1031  
:WGEN:ARbitrary:DATA / 1032  
:WGEN:ARbitrary:DATA:ATTRibute:POINts / 1035  
:WGEN:ARbitrary:DATA:CLEar / 1036  
:WGEN:ARbitrary:DATA:DAC / 1037  
:WGEN:ARbitrary:INTerpolate / 1038  
:WGEN:ARbitrary:STORe / 1039  
:WGEN:FREQuency / 1040  
:WGEN:FUNcTION / 1041  
:WGEN:FUNcTION:PULSe:WIDTh / 1045  
:WGEN:FUNcTION:RAMP:SYMMetry / 1046  
:WGEN:FUNcTION:SQUare:DCYCLE / 1047  
:WGEN:MODulation:AM:DEPTH / 1048  
:WGEN:MODulation:AM:FREQuency / 1049  
:WGEN:MODulation:FM:DEVIation / 1050  
:WGEN:MODulation:FM:FREQuency / 1051  
:WGEN:MODulation:FSKey:FREQuency / 1052  
:WGEN:MODulation:FSKey:RATE / 1053  
:WGEN:MODulation:FUNcTION / 1054  
:WGEN:MODulation:FUNcTION:RAMP:SYMMetry / 1055  
:WGEN:MODulation:NOISe / 1056  
:WGEN:MODulation:STATe / 1057  
:WGEN:MODulation:TYPE / 1058  
:WGEN:OUTPut / 1060  
:WGEN:OUTPut:LOAD / 1061  
:WGEN:PERiod / 1062  
:WGEN:RST / 1063  
:WGEN:VOLTage / 1064  
:WGEN:VOLTage:HIGh / 1065  
:WGEN:VOLTage:LOW / 1066  
:WGEN:VOLTage:OFFSet / 1067

### 34 :WMEMemory<r> Commands

:WMEMemory<r>:CLEar / 1071  
:WMEMemory<r>:DISPlay / 1072  
:WMEMemory<r>:LABel / 1073  
:WMEMemory<r>:SAVE / 1074  
:WMEMemory<r>:SKEW / 1075

:WMEMemory<r>:YOffset / 1076  
:WMEMemory<r>:YRange / 1077  
:WMEMemory<r>:YScale / 1078

### 35 Obsolete and Discontinued Commands

:Channel:ACTivity / 1085  
:Channel:LABel / 1086  
:Channel:THReshold / 1087  
:Channel2:SKEW / 1088  
:Channel<n>:INPut / 1089  
:Channel<n>:PMODE / 1090  
:DISPlay:CONNect / 1091  
:DISPlay:ORDer / 1092  
:ERASe / 1093  
:EXternal:PMODE / 1094  
:FUNction:SOURce / 1095  
:FUNction:VIEW / 1096  
:HARDcopy:DESTination / 1097  
:HARDcopy:FILEname / 1098  
:HARDcopy:GRAYscale / 1099  
:HARDcopy:IGColors / 1100  
:HARDcopy:PDRiver / 1101  
:MEASure:LOWer / 1102  
:MEASure:SCRatch / 1103  
:MEASure:TDELta / 1104  
:MEASure:THResholds / 1105  
:MEASure:TMAX / 1106  
:MEASure:TMIN / 1107  
:MEASure:TSTArt / 1108  
:MEASure:TSTOp / 1109  
:MEASure:TVOLt / 1110  
:MEASure:UPPer / 1111  
:MEASure:VDELta / 1112  
:MEASure:VSTArt / 1113  
:MEASure:VSTOp / 1114  
:MTEST:AMASK:{SAVE|STORE} / 1115  
:MTEST:AVERAge / 1116  
:MTEST:AVERAge:COUNT / 1117  
:MTEST:LOAD / 1118  
:MTEST:RUMode / 1119  
:MTEST:RUMode:SOFailure / 1120

:MTEST:{START|STOP} / 1121  
:MTEST:TRIGGER:SOURCE / 1122  
:PRINT? / 1123  
:SAVE:IMAGE:AREA / 1125  
:SBUS<n>:LIN:SIGNAl:DEFinition / 1126  
:SBUS<n>:SPI:SOURCe:DATA / 1127  
:TIMEbase:DELay / 1128  
:TRIGGER:THReshold / 1129  
:TRIGGER:TV:TVMODE / 1130

## 36 Error Messages

## 37 Status Reporting

Status Reporting Data Structures / 1141  
Status Byte Register (STB) / 1144  
Service Request Enable Register (SRE) / 1146  
Trigger Event Register (TER) / 1147  
Output Queue / 1148  
Message Queue / 1149  
(Standard) Event Status Register (ESR) / 1150  
(Standard) Event Status Enable Register (ESE) / 1151  
Error Queue / 1152  
Operation Status Event Register (:OPERRegister[:EVENT]) / 1153  
Operation Status Condition Register (:OPERRegister:CONDition) / 1154  
Arm Event Register (AER) / 1155  
Overload Event Register (:OVLRegister) / 1156  
Mask Test Event Event Register (:MTERRegister[:EVENT]) / 1157  
Power Event Event Register (:PWRRegister[:EVENT]) / 1158  
Clearing Registers and Queues / 1159  
Status Reporting Decision Chart / 1160

## 38 Synchronizing Acquisitions

Synchronization in the Programming Flow / 1162  
    Set Up the Oscilloscope / 1162  
    Acquire a Waveform / 1162  
    Retrieve Results / 1162

- Blocking Synchronization / 1163
- Polling Synchronization With Timeout / 1164
- Synchronizing with a Single-Shot Device Under Test (DUT) / 1166
- Synchronization with an Averaging Acquisition / 1168

## 39 More About Oscilloscope Commands

- Command Classifications / 1172
  - Core Commands / 1172
  - Non-Core Commands / 1172
  - Obsolete Commands / 1172
- Valid Command/Query Strings / 1173
  - Program Message Syntax / 1173
  - Duplicate Mnemonics / 1177
  - Tree Traversal Rules and Multiple Commands / 1177
- Query Return Values / 1179
- Sequential vs. Overlapped Commands / 1180

## 40 Programming Examples

- VISA COM Examples / 1182
  - VISA COM Example in Visual Basic / 1182
  - VISA COM Example in C# / 1191
  - VISA COM Example in Visual Basic .NET / 1200
  - VISA COM Example in Python 3 / 1208
- VISA Examples / 1215
  - VISA Example in C / 1215
  - VISA Example in Visual Basic / 1224
  - VISA Example in C# / 1234
  - VISA Example in Visual Basic .NET / 1245
  - VISA Example in Python 3 / 1255
- VISA.NET Examples / 1262
  - VISA.NET Example in C# / 1262
  - VISA.NET Example in Visual Basic .NET / 1268
- SICL Examples / 1275
  - SICL Example in C / 1275
  - SICL Example in Visual Basic / 1284
- SCPI.NET Examples / 1295

## Index

# 1 What's New

What's New in Version 2.60 / 32
What's New in Version 2.50 / 33
What's New in Version 2.43 / 34
What's New in Version 2.39 / 35
What's New in Version 2.38 / 36
What's New in Version 2.30 / 37
What's New in Version 2.20 / 38
What's New in Version 2.10 / 41
What's New in Version 2.00 / 42
What's New in Version 1.20 / 46
What's New in Version 1.10 / 48
Version 1.00 at Introduction / 49
Command Differences From 7000B Series Oscilloscopes / 50

## What's New in Version 2.60

New features in version 2.60 of the InfiniiVision 3000 X-Series oscilloscope software are:

- New commands for clearing persistence data from the display and querying the run state.

More detailed descriptions of the new and changed commands appear below.

### New Commands

Command	Differences
:CHANnel<n>:PROBe:CALibrati on (see <a href="#">page 285</a> )	Begins the probe degauss operation. For the N7026A and N2893A probes only.
:DISPlay:PERSiStence:CLEar (see <a href="#">page 324</a> )	Erases all persistence data from the display, leaving the data from the last acquisition.
:RState? (see <a href="#">page 231</a> )	Returns the run state.



## What's New in Version 2.50

New features in version 2.50 of the InfiniiVision 3000 X-Series oscilloscope software are:

- Added support for licenses that allow support subscriptions.

More detailed descriptions of the new and changed commands appear below.

### New Commands

Command	Differences
:SYSTem:DIIdentifier? (see <a href="#">page 880</a> )	Returns the oscilloscope's Host ID string.

### Changed Commands

Command	Differences
*OPT? (see <a href="#">page 184</a> )	New license information is possible in the returned string.

## What's New in Version 2.43

New features in version 2.43 of the InfiniiVision 3000 X-Series oscilloscope software are:

- Added measurements: bit rate and negative duty cycle.

More detailed descriptions of the new and changed commands appear below.

### New Commands

Command	Differences
:MEASure:BRATe (see <a href="#">page 432</a> )	Measures the bit rate.
:MEASure:NDUTy (see <a href="#">page 450</a> )	Measures the negative duty cycle.
:SYSTem:RLOGger (see <a href="#">page 889</a> )	Enables or disables remote command logging, optionally specifying the log file name and write mode.
:SYSTem:RLOGger:DESTination (see <a href="#">page 890</a> )	Specifies whether remote commands are logged to a text file (on a connected USB storage device), logged to the screen, or both.
:SYSTem:RLOGger:DISPlay (see <a href="#">page 891</a> )	Enables or disables the screen display of logged remote commands and their return values (if applicable).
:SYSTem:RLOGger:FNAME (see <a href="#">page 892</a> )	Specifies the remote command log file name.
:SYSTem:RLOGger:STATe (see <a href="#">page 893</a> )	Enables or disables remote command logging.
:SYSTem:RLOGger:TRANsparen t (see <a href="#">page 894</a> )	Specifies whether the screen display background for remote command logging is transparent or solid.
:SYSTem:RLOGger:WMODE (see <a href="#">page 895</a> )	Specifies the remote command logging write mode (either CREate or APPend).

## What's New in Version 2.39

More detailed descriptions of the new and changed commands appear below.

### New Commands

Command	Differences
:DISPlay:INTensity:WAVeform (see <a href="#">page 320</a> )	Sets the waveform intensity.

## What's New in Version 2.38

More detailed descriptions of the new and changed commands appear below.

### New Commands

Command	Differences
:CHANnel<n>:BANDwidth (see <a href="#">page 276</a> )	Sets bandwidth limiting for an analog input channel.

## What's New in Version 2.30

New features in version 2.30 of the InfiniiVision 3000 X-Series oscilloscope software are:

- Support for the N2820A high-sensitivity current probe.
- Saving Multi Channel Waveform data (\*.h5) format files that can be opened by the N8900A InfiniiView oscilloscope analysis software.

More detailed descriptions of the new and changed commands appear below.

### New Commands

Command	Differences
:MEASure:DUAL:CHARge (see <a href="#">page 441</a> )	These are special measurements available with the N2820A high sensitivity current probe when both the Primary and Secondary probe cables are used.  These measurements join the Zoom In waveform data below the probe's clamp level with Zoom Out waveform data above the probe's clamp level to create the waveform on which the measurement is made.
:MEASure:DUAL:VAMplitude (see <a href="#">page 442</a> )	
:MEASure:DUAL:VAverage (see <a href="#">page 443</a> )	
:MEASure:DUAL:VBASe (see <a href="#">page 444</a> )	
:MEASure:DUAL:VPP (see <a href="#">page 445</a> )	
:MEASure:DUAL:VRMS (see <a href="#">page 446</a> )	
:SAVE:MULTi[:START] (see <a href="#">page 641</a> )	Lets you save Multi Channel Waveform data (*.h5) format files that can be opened by the N8900A InfiniiView oscilloscope analysis software.
:TRIGger:LEvel:ASETup (see <a href="#">page 917</a> )	Sets the trigger levels of all displayed analog channels to their waveforms' 50% values.

### Changed Commands

Command	Differences
:SAVE:WAVEform:FORMat (see <a href="#">page 646</a> )	The ALB format is no longer supported.

## What's New in Version 2.20

New features in version 2.20 of the InfiniiVision 3000 X-Series oscilloscope software are:

- Support for modulation of the waveform generator output.
- Support for controlling the optional DSOXDVM digital voltmeter analysis feature
- Power measurements application modifications.
- Ability to turn reference waveform locations on or off and view their status using the :VIEW, :BLANK, and :STATus commands.

More detailed descriptions of the new and changed commands appear below.

### New Commands

Command	Description
:DVM Commands (see <a href="#">page 327</a> )	Commands for controlling the optional DSOXDVM digital voltmeter analysis feature.
:MEASure:CPLoss (see <a href="#">page 498</a> )	Installs a power loss per cycle measurement on screen or returns the measured value.
:POWer:SIGNals:CYCLes:HARMonics (see <a href="#">page 590</a> )	Specifies the number of cycles to include in the current harmonics analysis.
:POWer:SIGNals:CYCLes:QUALity (see <a href="#">page 591</a> )	Specifies the number of cycles to include in the power quality analysis.
:POWer:SIGNals:DURation:EFFiciency (see <a href="#">page 592</a> )	Specifies the duration of the efficiency analysis.
:POWer:SIGNals:DURation:MODulation (see <a href="#">page 593</a> )	Specifies the duration of the modulation analysis.
:POWer:SIGNals:DURation:ONOff:OFF (see <a href="#">page 594</a> )	Specifies the duration of the turn off analysis.
:POWer:SIGNals:DURation:ONOff:ON (see <a href="#">page 595</a> )	Specifies the duration of the turn on analysis.
:POWer:SIGNals:DURation:RIPple (see <a href="#">page 596</a> )	Specifies the duration of the output ripple analysis.
:POWer:SIGNals:DURation:TRANsient (see <a href="#">page 597</a> )	Specifies the duration of the transient response analysis.
:POWer:SIGNals:VMAXimum:INRush (see <a href="#">page 600</a> )	Specifies the maximum expected input voltage for inrush current analysis.
:POWer:SIGNals:VMAXimum:ONOff:OFF (see <a href="#">page 601</a> )	Specifies the maximum expected input voltage for turn off analysis.
:POWer:SIGNals:VMAXimum:ONOff:ON (see <a href="#">page 602</a> )	Specifies the maximum expected input voltage for turn on analysis.

Command	Description
:POWer:SIGNals:VSTeady:ONOff:OFF (see <a href="#">page 603</a> )	Specifies the expected steady state output DC voltage of the power supply for turn off analysis.
:POWer:SIGNals:VSTeady:ONOff:ON (see <a href="#">page 604</a> )	Specifies the expected steady state output DC voltage of the power supply for turn on analysis.
:POWer:SIGNals:VSTeady:TRANsient (see <a href="#">page 605</a> )	Specifies the expected steady state output DC voltage of the power supply for transient response analysis.
:WGEN:MODulation:AM:DEPth (see <a href="#">page 1048</a> )	Specifies the amount of amplitude modulation.
:WGEN:MODulation:AM:FREQuency (see <a href="#">page 1049</a> )	Specifies the frequency of the modulating signal.
:WGEN:MODulation:FM:DEVIation (see <a href="#">page 1050</a> )	Specifies the frequency deviation from the original carrier signal frequency.
:WGEN:MODulation:FM:FREQuency (see <a href="#">page 1051</a> )	Specifies the frequency of the modulating signal.
:WGEN:MODulation:FSKey:FREQuency (see <a href="#">page 1052</a> )	Specifies the "hop frequency".
:WGEN:MODulation:FSKey:RATE (see <a href="#">page 1053</a> )	Specifies the rate at which the output frequency "shifts".
:WGEN:MODulation:FUNction (see <a href="#">page 1054</a> )	Specifies the shape of the modulating signal.
:WGEN:MODulation:FUNction:RAMP:SYMMetry (see <a href="#">page 1055</a> )	Specifies the amount of time per cycle that the ramp waveform is rising.
:WGEN:MODulation:STATe (see <a href="#">page 1057</a> )	Enables or disables modulated waveform generator output.
:WGEN:MODulation:TYPE (see <a href="#">page 1058</a> )	Selects the modulation type: Amplitude Modulation (AM), Frequency Modulation (FM), or Frequency-Shift Keying Modulation (FSK).

### Changed Commands

Command	Differences
:BLANK (see <a href="#">page 210</a> )	You can now use the WMemory<r> source parameter to turn off the display of a reference waveform location.
:STATus (see <a href="#">page 235</a> )	You can now use the WMemory<r> source parameter to view the display status of a reference waveform location.
:VIEW (see <a href="#">page 238</a> )	You can now use the WMemory<r> source parameter to turn on the display of a reference waveform location.

Discontinued Commands

Discontinued Command	Current Command Equivalent	Comments
:POWer:SIGNals:CYCLes	:POWer:SIGNals:CYCLes:HARMonics (see <a href="#">page 590</a> ) :POWer:SIGNals:CYCLes:QUALiTy (see <a href="#">page 591</a> )	This command was separated into several other commands for specific types of power analysis.
:POWer:SIGNals:DURation	:POWer:SIGNals:DURation:EFFiCiency (see <a href="#">page 592</a> ) :POWer:SIGNals:DURation:MOdulation (see <a href="#">page 593</a> ) :POWer:SIGNals:DURation:ONOff:OFF (see <a href="#">page 594</a> ) :POWer:SIGNals:DURation:ONOff:ON (see <a href="#">page 595</a> ) :POWer:SIGNals:DURation:RIPPlE (see <a href="#">page 596</a> ) :POWer:SIGNals:DURation:TRANsient (see <a href="#">page 597</a> )	This command was separated into several other commands for specific types of power analysis.
:POWer:SIGNals:VMAXimum	:POWer:SIGNals:VMAXimum:INRush (see <a href="#">page 600</a> ) :POWer:SIGNals:VMAXimum:ONOff:OFF (see <a href="#">page 601</a> ) :POWer:SIGNals:VMAXimum:ONOff:ON (see <a href="#">page 602</a> )	This command was separated into several other commands for specific types of power analysis.
:POWer:SIGNals:VSTeady	:POWer:SIGNals:VSTeady:ONOff:OFF (see <a href="#">page 603</a> ) :POWer:SIGNals:VSTeady:ONOff:ON (see <a href="#">page 604</a> ) :POWer:SIGNals:VSTeady:TRANsient (see <a href="#">page 605</a> )	This command was separated into several other commands for specific types of power analysis.
:POWer:SLEW:VALue	none	Slew rate values are now displayed using max and min measurements of a differentiate math function signal.



## What's New in Version 2.10

New features in version 2.10 of the InfiniiVision 3000 X-Series oscilloscope software are:

- Support for adding an annotation to the display.

More detailed descriptions of the new and changed commands appear below.

### New Commands

Command	Description
:DISPlay:ANNotation (see <a href="#">page 313</a> )	Turns screen annotation on or off.
:DISPlay:ANNotation:BACKground (see <a href="#">page 314</a> )	Specifies the background of the annotation to be either opaque, inverted, or transparent.
:DISPlay:ANNotation:COLor (see <a href="#">page 315</a> )	Specifies the color of the annotation.
:DISPlay:ANNotation:TEXT (see <a href="#">page 316</a> )	Specifies the annotation string, up to 254 characters.

## What's New in Version 2.00

New features in version 2.00 of the InfiniiVision 3000 X-Series oscilloscope software are:

- Support for the DSOX3WAVEGEN waveform generator's new arbitrary waveform type.
- Support for the new DSOX3VID extended Video triggering license.
- Support for the new DSOX3AERO MIL-STD-1553 and ARINC 429 triggering and serial decode license.
- Support for the new DSOX3FLEX FlexRay triggering and serial decode license.
- Support for the new DSOX3PWR power measurements and analysis license.
- Support for the new DSOX3ADVMATH advanced math measurements license.

More detailed descriptions of the new and changed commands appear below.

### New Commands

Command	Description
:FUNction:BUS:CLOCK (see <a href="#">page 346</a> )	Selects the clock signal source for the Chart Logic Bus State operation. Available with the DSOX3ADVMATH advanced math license.
:FUNction:BUS:SLOPe (see <a href="#">page 347</a> )	Specifies the clock signal edge for the Chart Logic Bus State operation. Available with the DSOX3ADVMATH advanced math license.
:FUNction:BUS:YINCrement (see <a href="#">page 348</a> )	Specifies the value associated with each increment in Chart Logic Bus data. Available with the DSOX3ADVMATH advanced math license.
:FUNction:BUS:YORigin (see <a href="#">page 349</a> )	Specifies the value associated with Chart Logic Bus data equal to zero. Available with the DSOX3ADVMATH advanced math license.
:FUNction:BUS:YUNits (see <a href="#">page 350</a> )	Specifies the vertical units for the Chart Logic Bus operations. Available with the DSOX3ADVMATH advanced math license.
:FUNction:FREQuency:HIGHPass (see <a href="#">page 356</a> )	Sets the high-pass filter's -3 dB cutoff frequency. Available with the DSOX3ADVMATH advanced math license.
:FUNction:FREQuency:LOWPass (see <a href="#">page 357</a> )	Sets the low-pass filter's -3 dB cutoff frequency. Available with the DSOX3ADVMATH advanced math license.
:FUNction:LINear:GAIN (see <a href="#">page 362</a> )	Specifies the 'A' value in the $Ax + B$ operation. Available with the DSOX3ADVMATH advanced math license.

Command	Description
:FUNction:LINear:OFFSet (see <a href="#">page 363</a> )	Specifies the 'B' value in the Ax + B operation. Available with the DSOX3ADVMATH advanced math license.
:FUNction:TREnd:MEASurement (see <a href="#">page 373</a> )	Selects the measurement whose trend is shown in the math waveform. Available with the DSOX3ADVMATH advanced math license.
:MEASure Power Commands (see <a href="#">page 493</a> )	:MEASure commands available when the DSOX3PWR power measurements and analysis application is licensed and enabled.
:MEASure:STATistics:DISPlay (see <a href="#">page 471</a> )	Specifies whether the display of measurement statistics is on or off.
:POWer Commands (see <a href="#">page 553</a> )	Commands for the DSOX3PWR power measurements and analysis application.
:PWRenable (Power Event Enable Register) (see <a href="#">page 228</a> )	For enabling bits in the Power Event Enable Register. This status register control is available when the DSOX3PWR power measurements and analysis application is licensed.
:PWRRegister[:EVENT] (Power Event Event Register) (see <a href="#">page 228</a> )	For reading power application status bits in the Power Event Event Register. This query is available when the DSOX3PWR power measurements and analysis application is licensed.
:RECall:ARbitrary[:START] (see <a href="#">page 623</a> )	Recalls waveform generator arbitrary waveforms from a file.
:SAVE:ARbitrary[:START] (see <a href="#">page 632</a> )	Saves waveform generator arbitrary waveforms to a file.
:SAVE:POWer[:START] (see <a href="#">page 642</a> )	Saves the power measurement application's current harmonics analysis results to a file.
:SBUS<n>:A429 Commands (see <a href="#">page 658</a> )	Commands for ARINC 429 triggering and serial decode.
:SBUS<n>:FLEXray Commands (see <a href="#">page 693</a> )	Commands for FlexRay triggering and serial decode.
:SBUS<n>:M1553 Commands (see <a href="#">page 757</a> )	Commands for MIL-STD 1553 triggering and serial decode.
:SEARch:SERial:A429 Commands (see <a href="#">page 828</a> )	Commands for finding ARINC 429 events in the captured data.
:SEARch:SERial:FLEXray Commands (see <a href="#">page 840</a> )	Commands for finding FlexRay events in the captured data.
:SEARch:SERial:M1553 Commands (see <a href="#">page 865</a> )	Commands for finding MIL-STD 1553 events in the captured data.

Command	Description
:TRIGger:TV:UDTV:ENUMber (see <a href="#">page 982</a> )	Specifies the Nth edge to trigger on with the Generic video trigger. Available with the DSOX3VID extended Video triggering license.
:TRIGger:TV:UDTV:HSYNc (see <a href="#">page 983</a> )	Enables or disables the horizontal sync control in the Generic video trigger. Available with the DSOX3VID extended Video triggering license.
:TRIGger:TV:UDTV:HTIME (see <a href="#">page 984</a> )	When the Generic video trigger's horizontal sync control is enabled, this command specifies the sync time. Available with the DSOX3VID extended Video triggering license.
:TRIGger:TV:UDTV:PGTHan (see <a href="#">page 985</a> )	Specifies the "greater than the sync pulse width" time in the Generic video trigger. Available with the DSOX3VID extended Video triggering license.
:WGEN:ARBitrary:BYTeorder (see <a href="#">page 1031</a> )	Selects the byte order for arbitrary waveform binary transfers.
:WGEN:ARBitrary:DATA (see <a href="#">page 1032</a> )	Downloads an arbitrary waveform in floating-point values format.
:WGEN:ARBitrary:DATA:ATTRibute:POINts? (see <a href="#">page 1035</a> )	Returns the number of points used by the current arbitrary waveform.
:WGEN:ARBitrary:DATA:CLEar (see <a href="#">page 1036</a> )	Clears the arbitrary waveform memory and restores the default waveform.
:WGEN:ARBitrary:DATA:DAC (see <a href="#">page 1037</a> )	Downloads an arbitrary waveform in integer (DAC) values.
:WGEN:ARBitrary:INTErpolate (see <a href="#">page 1038</a> )	Enable or disables interpolated values between points in the arbitrary waveform.
:WGEN:ARBitrary:STORe (see <a href="#">page 1039</a> )	Captures a waveform and stores it into arbitrary waveform memory.
:WGEN:MODulation:NOISe (see <a href="#">page 1056</a> )	Adds noise to the waveform generator's output signal.

### Changed Commands

Command	Differences
:DEMO:FUNCTion (see <a href="#">page 296</a> )	The FMBurst, ARINc, FLEXray, MIL, and MIL2 functions are now available with the DSOXEDK educator's kit license.
:FUNCTion:OPERation (see <a href="#">page 365</a> )	The MAGNify, ABSolute, SQUare, LN, LOG, EXP, TEN, LOWPass, HIGHpass, DIVide, LINear, TREND, BTIMing, and BSTate operations are now available with the DSOX3ADVMATH advanced math measurements license.

Command	Differences
:FUNction:SOURce1 (see <a href="#">page 370</a> )	The BUS<m> source is now available for the bus charting operations available with the DSOX3ADVMATH advanced math measurements license.
:SBUS<n>:MODE (see <a href="#">page 657</a> )	The A429, M1553, and FLEXray modes are now available with the DSOX3AERO (MIL-STD-1553 and ARINC 429) and DSOX3FLEX (FlexRay) serial decode and triggering licenses.
:TRIGger:TV:MODE (see <a href="#">page 978</a> )	The LINE mode is added for the video standards available with the extended Video triggering license.
:TRIGger:TV:STANdard (see <a href="#">page 981</a> )	Lets you select additional video standards available with the extended Video triggering license.
:WGEN:FUNction (see <a href="#">page 1041</a> )	The ARBItrary waveform type can now be selected.

## What's New in Version 1.20

New features in version 1.20 of the InfiniiVision 3000 X-Series oscilloscope software are:

- Edge Then Edge trigger.
- OR'ed edge trigger.
- Sine Cardinal, Exponential Rise, Exponential Fall, Cardiac, and Gaussian Pulse waveform generator waveforms.
- X cursor units that let you measure time (seconds), frequency (Hertz), phase (degrees), and ratio (percent), and Y cursor units that let you measure the channel units (base) or ratio (percent).
- Option for specifying FFT vertical units as V RMS as well as decibels.
- Option for entering a DC offset correction factor for the integrate math waveform input signal.
- Option for saving the maximum number of waveform data points.

More detailed descriptions of the new and changed commands appear below.

### New Commands

Command	Description
:FUNction:INTegrate:IOFFset (see <a href="#">page 361</a> )	Lets you enter a DC offset correction factor for the integrate math waveform input signal to level a "ramp"ed waveform.
:FUNction[:FFT]:VTYPe (see <a href="#">page 354</a> )	Specifies FFT vertical units as DECibel or VRMS.
:MARKer:XUNIts (see <a href="#">page 405</a> )	Specifies the units for X cursors.
:MARKer:XUNIts:USE (see <a href="#">page 406</a> )	Sets the current X1 and X2 cursor locations as 0 and 360 degrees if XUNIts is DEGRees or as 0 and 100 percent if XUNIts is PERCent.
:MARKer:YUNIts (see <a href="#">page 412</a> )	Specifies the units for Y cursors.
:MARKer:YUNIts:USE (see <a href="#">page 413</a> )	Sets the current Y1 and Y2 cursor locations as 0 and 100 percent if YUNIts is PERCent.
:MEASure:STATistics:MCOunt (see <a href="#">page 473</a> )	Specifies the maximum number of values used when calculating measurement statistics.
:MEASure:STATistics:RSDeviation (see <a href="#">page 475</a> )	Disables or enables relative standard deviations, that is, standard deviation/mean, in the measurement statistics.
:SAVE:WAVEform:LENGth:MAX (see <a href="#">page 648</a> )	Enable or disables saving the maximum number of waveform data points.
:TRIGger:DElay:ARM:SLOPe (see <a href="#">page 924</a> )	Specifies the arming edge slope for the Edge Then Edge trigger.

Command	Description
:TRIGger:DElay:ARM:SOURce (see <a href="#">page 925</a> )	Specifies the arming edge source for the Edge Then Edge trigger.
:TRIGger:DElay:TDElay:TIME (see <a href="#">page 926</a> )	Specifies the delay time for the Edge Then Edge trigger.
:TRIGger:DElay:TRIGger:COUNt (see <a href="#">page 927</a> )	Specifies the trigger edge count for the Edge Then Edge trigger.
:TRIGger:DElay:TRIGger:SLOPe (see <a href="#">page 928</a> )	Specifies the trigger edge slope for the Edge Then Edge trigger.
:TRIGger:DElay:TRIGger:SOURce (see <a href="#">page 929</a> )	Specifies the trigger edge source for the Edge Then Edge trigger.
:TRIGger:FORCe (see <a href="#">page 914</a> )	Now documented, this command is equivalent to the front panel <b>[Force Trigger]</b> key which causes an acquisition to be captured even though the trigger condition has not been met.
:TRIGger:OR (see <a href="#">page 951</a> )	Specifies edges for the OR'ed edge trigger.

#### Changed Commands

Command	Differences
:DEMO:FUNctIon (see <a href="#">page 296</a> )	The ETE (Edge then Edge) function has been added.
:TRIGger:MODE (see <a href="#">page 920</a> )	The OR and DElay modes are added for the OR'ed edge trigger and the Edge Then Edge trigger.
:WGEN:FUNctIon (see <a href="#">page 1041</a> )	The SINC, EXPRise, EXPFall, CARDiac, and GAUSSian waveform types can now be selected.

## What's New in Version 1.10

New command descriptions for Version 1.10 of the InfiniiVision 3000 X-Series oscilloscope software appear below.

### New Commands

Command	Description
:SYSTem:PRESet (see <a href="#">page 885</a> )	Now documented, this command is equivalent to the front panel <b>[Default Setup]</b> key which leaves some user settings, like preferences, unchanged. The *RST command is equivalent to a factory default setup where no user settings are left unchanged.



## Version 1.00 at Introduction

The Keysight InfiniiVision 3000 X-Series oscilloscopes were introduced with version 1.00 of oscilloscope operating software.

The command set is most closely related to the InfiniiVision 7000B Series oscilloscopes (and the 7000A Series, 6000 Series, and 54620/54640 Series oscilloscopes before them). For more information, see "**Command Differences From 7000B Series Oscilloscopes**" on page 50.

## Command Differences From 7000B Series Oscilloscopes

The Keysight InfiniiVision 3000 X-Series oscilloscopes command set is most closely related to the InfiniiVision 7000B Series oscilloscopes (and the 7000A Series, 6000 Series, and 54620/54640 Series oscilloscopes before them).

The main differences between the version 1.00 programming command set for the InfiniiVision 3000 X-Series oscilloscopes and the 6.10 programming command set for the InfiniiVision 7000B Series oscilloscopes are related to:

- Built-in waveform generator (with Option WGN license).
- Built-in demo signals (with Option EDU license that comes with the N6455A Education Kit).
- Reference waveforms (in place of trace memory).
- Multiple serial decode waveforms.
- Serial decode now available on 2-channel oscilloscopes.
- Enhanced set of trigger types.
- Additional measurements.
- Different path name format for internal and USB storage device locations.

More detailed descriptions of the new, changed, obsolete, and discontinued commands appear below.

### New Commands

Command	Description
:DEMO Commands (see <a href="#">page 295</a> )	Commands for using built-in demo signals (with the Option EDU license that comes with the N6455A Education Kit).
:HARDcopy:NETWork Commands (see <a href="#">page 375</a> )	For accessing network printers.
:MEASure:AREA (see <a href="#">page 431</a> )	Measures the area between the waveform and the ground level.
:MEASure:BWIDth (see <a href="#">page 433</a> )	Measures the burst width from the first edge on screen to the last.
:MEASure:NEDGes (see <a href="#">page 451</a> )	Counts the number of falling edges.
:MEASure:NPULses (see <a href="#">page 452</a> )	Counts the number of negative pulses.
:MEASure:PEDGes (see <a href="#">page 456</a> )	Counts the number of rising edges.
:MEASure:PPULses (see <a href="#">page 459</a> )	Counts the number of positive pulses.

Command	Description
:MEASure:WINDow (see <a href="#">page 490</a> )	When the zoomed time base is on, specifies whether the measurement window is the zoomed time base or the main time base.
:MTESt:ALL (see <a href="#">page 518</a> )	Specifies whether all channels are included in the mask test.
:RECall:WMEMemOry<r>[:START] (see <a href="#">page 628</a> )	Recalls reference waveforms.
:SAVE:WMEMemOry:SOURce (see <a href="#">page 650</a> )	Selects the source for saving a reference waveform.
:SAVE:WMEMemOry[:START] (see <a href="#">page 651</a> )	Saves reference waveforms.
:SBUS<n>:CAN Commands (see <a href="#">page 676</a> )	This subsystem contains commands/functions that are in the 7000B Series oscilloscope's :TRIGger:CAN subsystem.
:SBUS<n>:I2S Commands (see <a href="#">page 712</a> )	This subsystem contains commands/functions that are in the 7000B Series oscilloscope's :TRIGger:I2S subsystem.
:SBUS<n>:IIC Commands (see <a href="#">page 732</a> )	This subsystem contains commands/functions that are in the 7000B Series oscilloscope's :TRIGger:IIC subsystem.
:SBUS<n>:LIN Commands (see <a href="#">page 743</a> )	This subsystem contains commands/functions that are in the 7000B Series oscilloscope's :TRIGger:LIN subsystem.
:SBUS<n>:SPI Commands (see <a href="#">page 676</a> )	This subsystem contains commands/functions that are in the 7000B Series oscilloscope's :TRIGger:SPI subsystem.
:SBUS<n>:UART Commands (see <a href="#">page 780</a> )	This subsystem contains commands/functions that are in the 7000B Series oscilloscope's :TRIGger:UART subsystem.
:SEARCh:EDGE Commands (see <a href="#">page 808</a> )	Commands for searching edge events.
:SEARCh:GLITCh Commands (see <a href="#">page 811</a> )	Commands for searching glitch events.
:SEARCh:RUNT Commands (see <a href="#">page 818</a> )	Commands for searching runt events.
:SEARCh:TRANSITION Commands (see <a href="#">page 808</a> )	Commands for searching edge transition events.
:TRIGger:LEVel:HIGH (see <a href="#">page 918</a> )	Sets runt and transition (rise/fall time) trigger high level.
:TRIGger:LEVel:LOW (see <a href="#">page 919</a> )	Sets runt and transition (rise/fall time) trigger low level.
:TRIGger:PATTern Commands (see <a href="#">page 952</a> )	This subsystem contains commands/functions that are in the 7000B Series oscilloscope's :TRIGger:DURation subsystem.
:TRIGger:RUNT Commands (see <a href="#">page 960</a> )	Commands for triggering on runt pulses.

Command	Description
:TRIGger:SHOLd Commands (see <a href="#">page 965</a> )	Commands for triggering on setup and hold time violations.
:TRIGger:TRANSition Commands (see <a href="#">page 971</a> )	Commands for triggering on edge transitions.
:WGEN Commands (see <a href="#">page 1027</a> )	Commands for controlling the built-in waveform generator (with Option WGN license).
:WMEMory<r> Commands (see <a href="#">page 1069</a> )	Commands for reference waveforms.

### Changed Commands

Command	Differences From InfiniiVision 7000B Series Oscilloscopes
:ACQuire:MODE (see <a href="#">page 243</a> )	There is no ETIME parameter with the 3000 X-Series oscilloscopes.
:CALibrate:OUTPut (see <a href="#">page 267</a> )	The TRIG OUT signal can be a trigger output, mask test failure, or waveform generator sync pulse.
:DISPlay:DATA (see <a href="#">page 318</a> )	Monochrome TIFF images of the graticule cannot be saved or restored.
:DISPlay:LABList (see <a href="#">page 322</a> )	The label list contains up to 77, 10-character labels (instead of 75).
:DISPlay:VECTors (see <a href="#">page 325</a> )	Always ON with 3000 X-Series oscilloscopes.
:MARKer Commands (see <a href="#">page 397</a> )	Can select reference waveforms as marker source.
:MEASure Commands (see <a href="#">page 415</a> )	Can select reference waveforms as the source for many measurements.
General :SBUS<n> Commands (see <a href="#">page 655</a> )	With multiple serial decode waveforms, "SBUS" is now "SBUS1" or "SBUS2".
:SAVE:IMAGe[:START] (see <a href="#">page 634</a> )	Cannot save images to internal locations.
:SEARch:MODE (see <a href="#">page 806</a> )	Can select EDGE, GLITCh, RUNT, and TRANSition modes. Also, SERIAL is now SERIAL{1   2}.
:SEARch:SERial:IIC:MODE (see <a href="#">page 853</a> )	ANACKnowledge parameter is now ANACK.
:TRIGger:PATtern (see <a href="#">page 953</a> )	Takes <string> parameter instead of <value>, <mask> parameters.
:WAVEform:SOURce (see <a href="#">page 1013</a> )	Can select reference waveforms as the source.
:VIEW (see <a href="#">page 238</a> )	PMEMory (pixel memory) locations are not present.

### Obsolete Commands

Obsolete Command	Current Command Equivalent	Behavior Differences

### Discontinued Commands

Command	Description
:ACquire:RSIGNAL	The 3000 X-Series oscilloscope does not have a 10 MHz REF BNC connector.
:CALibrate:SWITCh?	Replaced by :CALibrate:PROTeCted? (see <a href="#">page 268</a> ). The oscilloscope has a protection button instead of a switch.
:DISPlay:SOURce	PMEMory (pixel memory) locations are not present.
:EXTernal:IMPedance	External TRIG IN connector is now fixed at 1 MOhm.
:EXTernal:PROBe:ID	Not supported on external TRIG IN connector.
:EXTernal:PROBe:STYPe	Not supported on external TRIG IN connector.
:EXTernal:PROTection	Not supported on external TRIG IN connector.
:HARDcopy:DEvice, :HARDcopy:FORMat	Use the :SAVE:IMAGe:FORMat, :SAVE:WAVEform:FORMat, and :HARDcopy:APRinter commands instead.
:MERGe	Waveform traces have been replaced by reference waveforms.
:RECall:IMAGe[:START]	Waveform traces have been replaced by reference waveforms.
:SYSTem:PRECision	The 3000 X-Series oscilloscopes' measurement record is 62,500 points, and there is no need for a special precision mode.
:TIMebase:REFClock	The 3000 X-Series oscilloscope does not have a 10 MHz REF BNC connector.



## 2 Setting Up

Step 1. Install Keysight IO Libraries Suite software / 56

Step 2. Connect and set up the oscilloscope / 57

Step 3. Verify the oscilloscope connection / 59

This chapter explains how to install the Keysight IO Libraries Suite software, connect the oscilloscope to the controller PC, set up the oscilloscope, and verify the oscilloscope connection.

## Step 1. Install Keysight IO Libraries Suite software

- 1 Download the Keysight IO Libraries Suite software from the Keysight web site at:
  - <http://www.keysight.com/find/iolib>
- 2 Run the setup file, and follow its installation instructions.

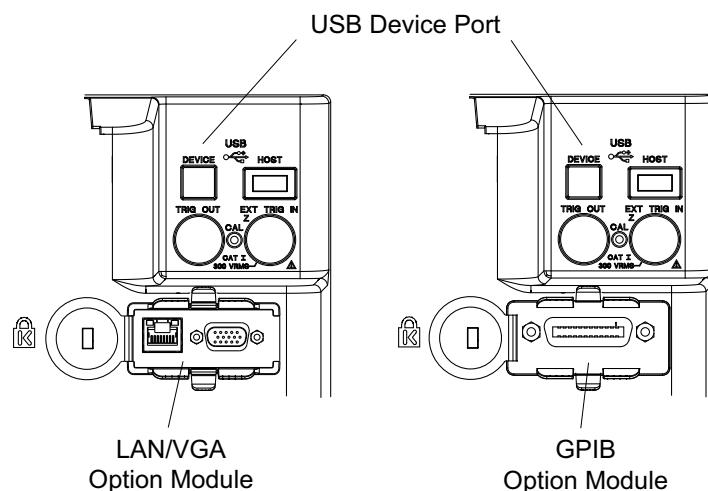


## Step 2. Connect and set up the oscilloscope

The 3000 X-Series oscilloscope has three different interfaces you can use for programming:

- USB (device port).
- LAN, when the LAN/VGA option module is installed. To configure the LAN interface, press the **[Utility]** key on the front panel, then press the **I/O** softkey, then press the **Configure** softkey.
- GPIB, when the GPIB option module is installed.

When installed, these interfaces are always active.



**Figure 1** Control Connectors on Rear Panel

### Using the USB (Device) Interface

- 1 Connect a USB cable from the controller PC's USB port to the "USB DEVICE" port on the back of the oscilloscope.

This is a USB 2.0 high-speed port.

### Using the LAN Interface

- 1 If the controller PC is not already connected to the local area network (LAN), do that first.
- 2 Contact your network administrator about adding the oscilloscope to the network.

Find out if automatic configuration via DHCP or AutoIP can be used. Also, find out whether your network supports Dynamic DNS or Multicast DNS.

If automatic configuration is not supported, get the oscilloscope's network parameters (hostname, domain, IP address, subnet mask, gateway IP, DNS IP, etc.).

- 3 Connect the oscilloscope to the local area network (LAN) by inserting LAN cable into the "LAN" port on the LAN/VGA option module.
- 4 Configure the oscilloscope's LAN interface:
  - a Press the **Configure** softkey until "LAN" is selected.
  - b Press the **LAN Settings** softkey.
  - c Press the **Config** softkey, and enable all the configuration options supported by your network.
  - d If automatic configuration is not supported, press the **Addresses** softkey.

Use the **Modify** softkey (and the other softkeys and the Entry knob) to enter the IP Address, Subnet Mask, Gateway IP, and DNS IP values.

When you are done, press the **[Back up]** key.

- e Press the **Host name** softkey. Use the softkeys and the Entry knob to enter the Host name.

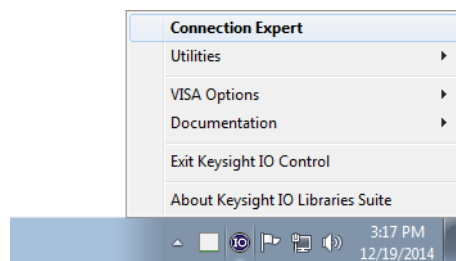
When you are done, press the **[Back up]** key.

## Using the GPIB Interface

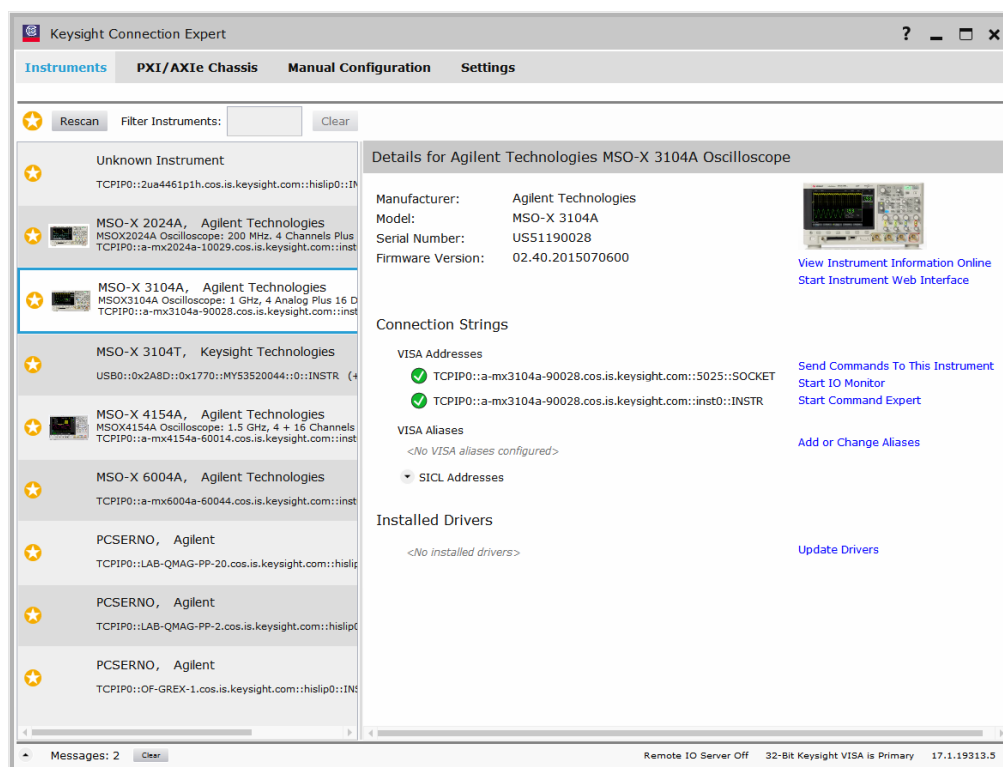
- 1 Connect a GPIB cable from the controller PC's GPIB interface to the "GPIB" port on the GPIB option module.
- 2 Configure the oscilloscope's GPIB interface:
  - a Press the **Configure** softkey until "GPIB" is selected.
  - b Use the Entry knob to select the **Address** value.

## Step 3. Verify the oscilloscope connection

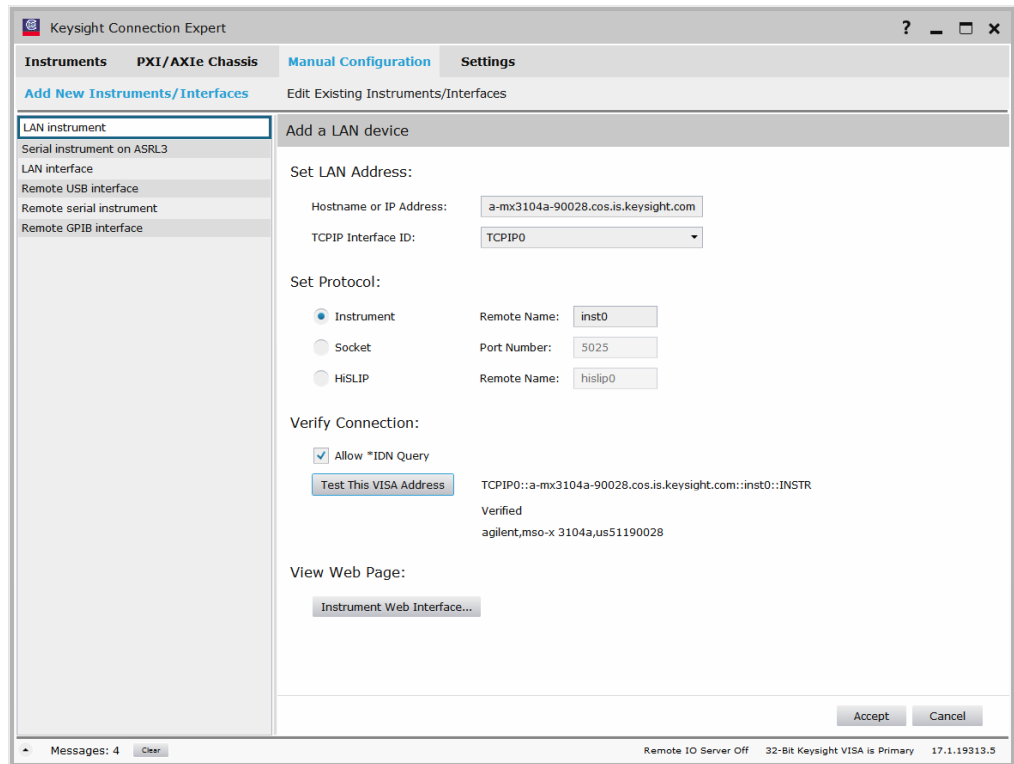
- 1 On the controller PC, click on the Keysight IO Control icon in the taskbar and choose **Connection Expert** from the popup menu.



- 2 In the Keysight Connection Expert application, instruments connected to the controller's USB and GPIB interfaces as well as instruments on the same LAN subnet should automatically appear in the Instruments tab.



- 3 If your instrument does not appear, you can add it using the Manual Configuration tab.

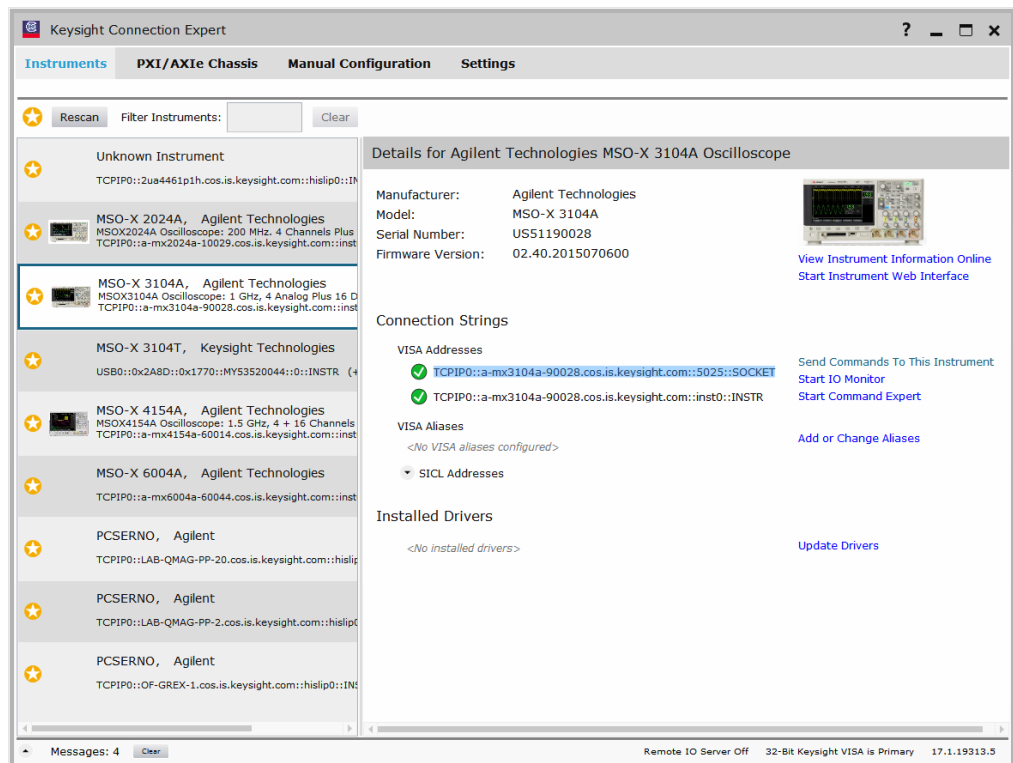


For example, to add a device:

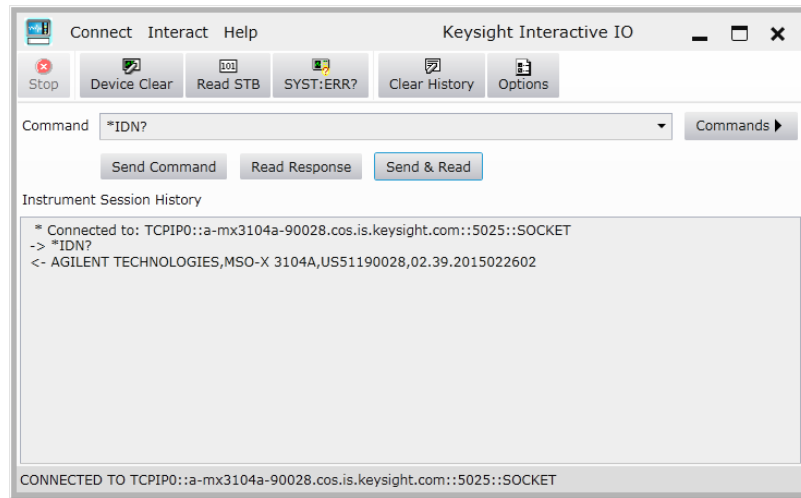
- a Select **LAN instrument** in the list on the left.
- b Enter the oscilloscope's **Hostname** or **IP address**.
- c Select the protocol.
- d Select **Instrument** under Set Protocol.
- e Click **Test This VISA Address** to verify the connection.
- f If the connection test is successful, click **Accept** to add the instrument.

If the connection test is not successful, go back and verify the LAN connections and the oscilloscope setup.

- 4 Test some commands on the instrument:
- a In the Details for the selected instrument, click **Send Commands To This Instrument**.



- b In the Keysight Interactive IO application, enter commands in the **Command** field and press **Send Command**, **Read Response**, or **Send & Read**.



- c Choose **Connect > Exit** from the menu to exit the Keysight Interactive IO application.
- 5 In the Keysight Connection Expert application, choose **File > Exit** from the menu to exit the application.

## 3 Getting Started

Basic Oscilloscope Program Structure / 64

Programming the Oscilloscope / 66

Other Ways of Sending Commands / 75

This chapter gives you an overview of programming the 3000 X-Series oscilloscopes. It describes basic oscilloscope program structure and shows how to program the oscilloscope using a few simple examples.

The getting started examples show how to send oscilloscope setup, data capture, and query commands, and they show how to read query results.

### NOTE

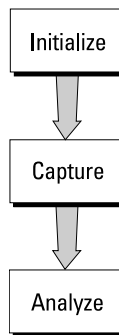
#### Language for Program Examples

The programming examples in this guide are written in Visual Basic using the Keysight VISA COM library.

---

## Basic Oscilloscope Program Structure

The following figure shows the basic structure of every program you will write for the oscilloscope.



### Initializing

To ensure consistent, repeatable performance, you need to start the program, controller, and oscilloscope in a known state. Without correct initialization, your program may run correctly in one instance and not in another. This might be due to changes made in configuration by previous program runs or from the front panel of the oscilloscope.

- Program initialization defines and initializes variables, allocates memory, or tests system configuration.
- Controller initialization ensures that the interface to the oscilloscope is properly set up and ready for data transfer.
- Oscilloscope initialization sets the channel configuration, channel labels, threshold voltages, trigger specification, trigger mode, timebase, and acquisition type.

### Capturing Data

Once you initialize the oscilloscope, you can begin capturing data for analysis. Remember that while the oscilloscope is responding to commands from the controller, it is not performing acquisitions. Also, when you change the oscilloscope configuration, any data already captured will most likely be rendered.

To collect data, you use the `:DIGitize` command. This command clears the waveform buffers and starts the acquisition process. Acquisition continues until acquisition memory is full, then stops. The acquired data is displayed by the oscilloscope, and the captured data can be measured, stored in acquisition memory in the oscilloscope, or transferred to the controller for further analysis. Any additional commands sent while `:DIGitize` is working are buffered until `:DIGitize` is complete.



You could also put the oscilloscope into run mode, then use a wait loop in your program to ensure that the oscilloscope has completed at least one acquisition before you make a measurement. Keysight does not recommend this because the needed length of the wait loop may vary, causing your program to fail. `:DIGitize`, on the other hand, ensures that data capture is complete. Also, `:DIGitize`, when complete, stops the acquisition process so that all measurements are on displayed data, not on a constantly changing data set.

## Analyzing Captured Data

After the oscilloscope has completed an acquisition, you can find out more about the data, either by using the oscilloscope measurements or by transferring the data to the controller for manipulation by your program. Built-in measurements include: frequency, duty cycle, period, positive pulse width, and negative pulse width.

Using the `:WAVEform` commands, you can transfer the data to your controller. You may want to display the data, compare it to a known good measurement, or simply check logic patterns at various time intervals in the acquisition.

## Programming the Oscilloscope

- "Referencing the IO Library" on page 66
- "Opening the Oscilloscope Connection via the IO Library" on page 67
- "Using :AUToscale to Automate Oscilloscope Setup" on page 68
- "Using Other Oscilloscope Setup Commands" on page 68
- "Capturing Data with the :DIGitize Command" on page 69
- "Reading Query Responses from the Oscilloscope" on page 71
- "Reading Query Results into String Variables" on page 72
- "Reading Query Results into Numeric Variables" on page 72
- "Reading Definite-Length Block Query Response Data" on page 72
- "Sending Multiple Queries and Reading Results" on page 73
- "Checking Instrument Status" on page 74

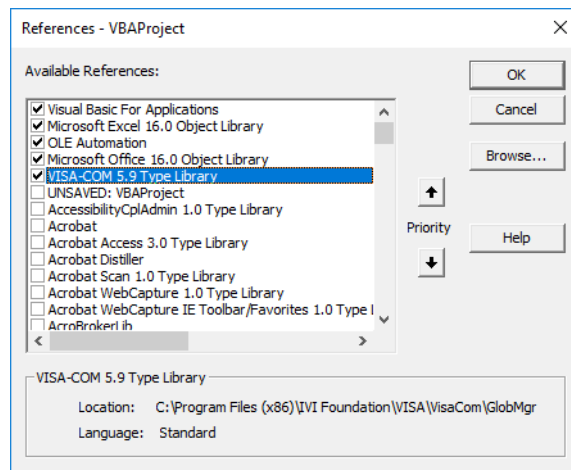
## Referencing the IO Library

No matter which instrument programming library you use (SICL, VISA, or VISA COM), you must reference the library from your program.

In C/C++, you must tell the compiler where to find the include and library files (see the Keysight IO Libraries Suite documentation for more information).

To reference the Keysight VISA COM library in Visual Basic for Applications (VBA, which comes with Microsoft Office products like Excel):

- 1 Choose **Tools>References...** from the main menu.
- 2 In the References dialog, check the "VISA COM 5.9 Type Library".



**3** Click **OK**.

To reference the Keysight VISA COM library in Microsoft Visual Basic 6.0:

**1** Choose **Project>References...** from the main menu.**2** In the References dialog, check the "VISA COM 5.9 Type Library".**3** Click **OK**.

## Opening the Oscilloscope Connection via the IO Library

PC controllers communicate with the oscilloscope by sending and receiving messages over a remote interface. Once you have opened a connection to the oscilloscope over the remote interface, programming instructions normally appear as ASCII character strings embedded inside write statements of the programming language. Read statements are used to read query responses from the oscilloscope.

For example, when using the Keysight VISA COM library in Visual Basic (after opening the connection to the instrument using the ResourceManager object's Open method), the FormattedIO488 object's WriteString, WriteNumber, WriteList, or WriteIIEEBlock methods are used for sending commands and queries. After a query is sent, the response is read using the ReadString, ReadNumber, ReadList, or ReadIIEEBlock methods.

The following Visual Basic statements open the connection and send a command that turns on the oscilloscope's label display.

```
Dim myMgr As VisaComLib.ResourceManager
Dim myScope As VisaComLib.FormattedIO488

Set myMgr = New VisaComLib.ResourceManager
Set myScope = New VisaComLib.FormattedIO488
```

```
' Open the connection to the oscilloscope. Get the VISA Address from the
' Keysight Connection Expert (installed with Keysight IO Libraries Suite
').
```

```
Set myScope.IO = myMgr.Open("<VISA Address>")
```

```
' Send a command.
myScope.WriteString ":DISPLAY:LABEL ON"
```

The ":DISPLAY:LABEL ON" in the above example is called a *program message*. Program messages are explained in more detail in **"Program Message Syntax"** on page 1173.

## Initializing the Interface and the Oscilloscope

To make sure the bus and all appropriate interfaces are in a known state, begin every program with an initialization statement. When using the Keysight VISA COM library, you can use the resource session object's Clear method to clear the interface buffer:

```

Dim myMgr As VisaComLib.ResourceManager
Dim myScope As VisaComLib.FormattedIO488

Set myMgr = New VisaComLib.ResourceManager
Set myScope = New VisaComLib.FormattedIO488

' Open the connection to the oscilloscope. Get the VISA Address from the
' Keysight Connection Expert (installed with Keysight IO Libraries Suite
').
Set myScope.IO = myMgr.Open("<VISA Address>")

' Clear the interface buffer and set the interface timeout to 10 seconds
.
myScope.IO.Clear
myScope.IO.Timeout = 10000

```

When you are using GPIB, CLEAR also resets the oscilloscope's parser. The parser is the program which reads in the instructions which you send it.

After clearing the interface, initialize the instrument to a preset state:

```
myScope.WriteString "*RST"
```

**NOTE****Information for Initializing the Instrument**

The actual commands and syntax for initializing the instrument are discussed in [Chapter 5, "Common \(\\*\) Commands,"](#) starting on page 171.

Refer to the Keysight IO Libraries Suite documentation for information on initializing the interface.

## Using :AUToscale to Automate Oscilloscope Setup

The :AUToscale command performs a very useful function for unknown waveforms by setting up the vertical channel, time base, and trigger level of the instrument.

The syntax for the autoscale command is:

```
myScope.WriteString ":AUToscale"
```

## Using Other Oscilloscope Setup Commands

A typical oscilloscope setup would set the vertical range and offset voltage, the horizontal range, delay time, delay reference, trigger mode, trigger level, and slope. An example of the commands that might be sent to the oscilloscope are:

```

myScope.WriteString ":CHANnel1:PROBe 10"
myScope.WriteString ":CHANnel1:RANGe 16"
myScope.WriteString ":CHANnel1:OFFSet 1.00"
myScope.WriteString ":TIMEbase:MODE MAIN"
myScope.WriteString ":TIMEbase:RANGe 1E-3"
myScope.WriteString ":TIMEbase:DELay 100E-6"

```

Vertical is set to 16 V full-scale (2 V/div) with center of screen at 1 V and probe attenuation set to 10. This example sets the time base at 1 ms full-scale (100 ms/div) with a delay of 100  $\mu$ s.

### Example Oscilloscope Setup Code

This program demonstrates the basic command structure used to program the oscilloscope.

```
' Initialize the instrument interface to a known state.
myScope.IO.Clear
myScope.IO.Timeout = 10000 ' Set interface timeout to 10 seconds.

' Initialize the instrument to a preset state.
myScope.WriteString "*RST"

' Set the time base mode to normal with the horizontal time at
' 50 ms/div with 0 s of delay referenced at the center of the
' graticule.
myScope.WriteString ":TIMEbase:RANGe 5E-4" ' Time base to 50 us/div.
myScope.WriteString ":TIMEbase:DELAy 0" ' Delay to zero.
myScope.WriteString ":TIMEbase:REFerence CENTER" ' Display ref. at
' center.

' Set the vertical range to 1.6 volts full scale with center screen
' at -0.4 volts with 10:1 probe attenuation and DC coupling.
myScope.WriteString ":CHANnel:PROBe 10" ' Probe attenuation
' to 10:1.
myScope.WriteString ":CHANnel:RANGe 1.6" ' Vertical range
' 1.6 V full scale.
myScope.WriteString ":CHANnel:OFFSet -0.4" ' Offset to -0.4.
myScope.WriteString ":CHANnel:COUPLing DC" ' Coupling to DC.

' Configure the instrument to trigger at -0.4 volts with normal
' triggering.
myScope.WriteString ":TRIGger:SWEep NORMal" ' Normal triggering.
myScope.WriteString ":TRIGger:LEVel -0.4" ' Trigger level to -0.4.
myScope.WriteString ":TRIGger:SLOPe POSitive" ' Trigger on pos. slope.

' Configure the instrument for normal acquisition.
myScope.WriteString ":ACQuire:TYPE NORMal" ' Normal acquisition.
```

### Capturing Data with the :DIGitize Command

The :DIGitize command captures data that meets the specifications set up by the :ACQuire subsystem. When the digitize process is complete, the acquisition is stopped. The captured data can then be measured by the instrument or transferred to the controller for further analysis. The captured data consists of two parts: the waveform data record, and the preamble.

**NOTE****Ensure New Data is Collected**

When you change the oscilloscope configuration, the waveform buffers are cleared. Before doing a measurement, send the :DIGitize command to the oscilloscope to ensure new data has been collected.

When you send the :DIGitize command to the oscilloscope, the specified channel signal is digitized with the current :ACQUIRE parameters. To obtain waveform data, you must specify the :WAVEform parameters for the SOURce channel, the FORMat type, and the number of POINTs prior to sending the :WAVEform:DATA? query.

**NOTE****Set :TIMEbase:MODE to MAIN when using :DIGitize**

:TIMEbase:MODE must be set to MAIN to perform a :DIGitize command or to perform any :WAVEform subsystem query. A "Settings conflict" error message will be returned if these commands are executed when MODE is set to ROLL, XY, or WINDow (zoomed). Sending the \*RST (reset) command will also set the time base mode to normal.

The number of data points comprising a waveform varies according to the number requested in the :ACQUIRE subsystem. The :ACQUIRE subsystem determines the number of data points, type of acquisition, and number of averages used by the :DIGitize command. This allows you to specify exactly what the digitized information contains.

The following program example shows a typical setup:

```
myScope.WriteString ":ACQUIRE:TYPE AVERage"
myScope.WriteString ":ACQUIRE:COMPLete 100"
myScope.WriteString ":ACQUIRE:COUNt 8"
myScope.WriteString ":DIGitize CHANnel1"
myScope.WriteString ":WAVEform:SOURce CHANnel1"
myScope.WriteString ":WAVEform:FORMat BYTE"
myScope.WriteString ":WAVEform:POINTs 500"
myScope.WriteString ":WAVEform:DATA?"
```

This setup places the instrument into the averaged mode with eight averages. This means that when the :DIGitize command is received, the command will execute until the signal has been averaged at least eight times.

After receiving the :WAVEform:DATA? query, the instrument will start passing the waveform information.

Digitized waveforms are passed from the instrument to the controller by sending a numerical representation of each digitized point. The format of the numerical representation is controlled with the :WAVEform:FORMat command and may be selected as BYTE, WORD, or ASCii.

The easiest method of transferring a digitized waveform depends on data structures, formatting available and I/O capabilities. You must scale the integers to determine the voltage value of each point. These integers are passed starting with the left most point on the instrument's display.

For more information, see the waveform subsystem commands and corresponding program code examples in [Chapter 32](#), “:WAVEform Commands,” starting on page 991.

**NOTE****Aborting a Digitize Operation Over the Programming Interface**

When using the programming interface, you can abort a digitize operation by sending a Device Clear over the bus (for example, `myScope.IO.Clear`).

## Reading Query Responses from the Oscilloscope

After receiving a query (command header followed by a question mark), the instrument interrogates the requested function and places the answer in its output queue. The answer remains in the output queue until it is read or another command is issued. When read, the answer is transmitted across the interface to the designated listener (typically a controller).

The statement for reading a query response message from an instrument's output queue typically has a format specification for handling the response message.

When using the VISA COM library in Visual Basic, you use different read methods (`ReadString`, `ReadNumber`, `ReadList`, or `ReadIEEEBlock`) for the various query response formats. For example, to read the result of the query command `:CHANnel1:COUPling?` you would execute the statements:

```
myScope.WriteString ":CHANnel1:COUPling?"
Dim strQueryResult As String
strQueryResult = myScope.ReadString
```

This reads the current setting for the channel one coupling into the string variable `strQueryResult`.

All results for queries (sent in one program message) must be read before another program message is sent.

Sending another command before reading the result of the query clears the output buffer and the current response. This also causes an error to be placed in the error queue.

Executing a read statement before sending a query causes the controller to wait indefinitely.

The format specification for handling response messages depends on the programming language.

## Reading Query Results into String Variables

The output of the instrument may be numeric or character data depending on what is queried. Refer to the specific command descriptions for the formats and types of data returned from queries.

### NOTE

#### Express String Variables Using Exact Syntax

In Visual Basic, string variables are case sensitive and must be expressed exactly the same each time they are used.

The following example shows numeric data being returned to a string variable:

```
myScope.WriteString ":CHANnel1:RANGe?"
Dim strQueryResult As String
strQueryResult = myScope.ReadString
MsgBox "Range (string):" + strQueryResult
```

After running this program, the controller displays:

**Range (string): +40.0E+00**

## Reading Query Results into Numeric Variables

The following example shows numeric data being returned to a numeric variable:

```
myScope.WriteString ":CHANnel1:RANGe?"
Dim varQueryResult As Variant
varQueryResult = myScope.ReadNumber
MsgBox "Range (variant):" + CStr(varQueryResult)
```

After running this program, the controller displays:

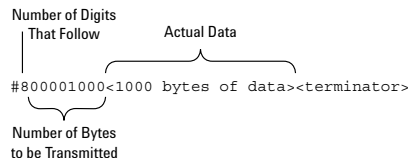
**Range (variant): 40**

## Reading Definite-Length Block Query Response Data

Definite-length block query response data allows any type of device-dependent data to be transmitted over the system interface as a series of 8-bit binary data bytes. This is particularly useful for sending large quantities of data or 8-bit extended ASCII codes. The syntax is a pound sign (#) followed by a non-zero digit representing the number of digits in the decimal integer. After the non-zero digit is the decimal integer that states the number of 8-bit data bytes being sent. This is followed by the actual data.

For example, for transmitting 1000 bytes of data, the syntax would be:





**Figure 2** Definite-length block response data

The "8" states the number of digits that follow, and "00001000" states the number of bytes to be transmitted.

The VISA COM library's `ReadIEEEBlock` and `WriteIEEEBlock` methods understand the definite-length block syntax, so you can simply use variables that contain the data:

```
' Read oscilloscope setup using ":SYSTEM:SETup?" query.
myScope.WriteString ":SYSTEM:SETup?"
Dim varQueryResult As Variant
varQueryResult = myScope.ReadIEEEBlock(BinaryType_UI1)

' Write learn string back to oscilloscope using ":SYSTEM:SETup" command:
myScope.WriteIEEEBlock ":SYSTEM:SETup ", varQueryResult
```

## Sending Multiple Queries and Reading Results

You can send multiple queries to the instrument within a single command string, but you must also read them back as a single query result. This can be accomplished by reading them back into a single string variable, multiple string variables, or multiple numeric variables.

For example, to read the `:TIMEbase:RANGe?;DELay?` query result into a single string variable, you could use the commands:

```
myScope.WriteString ":TIMEbase:RANGe?;DELay?"
Dim strQueryResult As String
strQueryResult = myScope.ReadString
MsgBox "Timebase range; delay:" + strQueryResult
```

When you read the result of multiple queries into a single string variable, each response is separated by a semicolon. For example, the output of the previous example would be:

```
Timebase range; delay: <range_value>;<delay_value>
```

To read the `:TIMEbase:RANGe?;DELay?` query result into multiple string variables, you could use the `ReadList` method to read the query results into a string array variable using the commands:

```
myScope.WriteString ":TIMEbase:RANGe?;DELay?"
Dim strResults() As String
strResults() = myScope.ReadList(ASCIIType_BSTR)
MsgBox "Timebase range: " + strResults(0) + ", delay: " + strResults(1)
```

To read the :TIMEbase:RANGe?;DELay? query result into multiple numeric variables, you could use the ReadList method to read the query results into a variant array variable using the commands:

```
myScope.WriteString ":TIMEbase:RANGe?;DELay?"
Dim varResults() As Variant
varResults() = myScope.ReadList
MsgBox "Timebase range: " + FormatNumber(varResults(0) * 1000, 4) + _
      " ms, delay: " + FormatNumber(varResults(1) * 1000000, 4) + " us"
```

## Checking Instrument Status

Status registers track the current status of the instrument. By checking the instrument status, you can find out whether an operation has been completed, whether the instrument is receiving triggers, and more.

For more information, see [Chapter 37](#), “Status Reporting,” starting on page 1139 which explains how to check the status of the instrument.

## Other Ways of Sending Commands

Standard Commands for Programmable Instrumentation (SCPI) can also be sent via a Telnet socket or through the Browser Web Control:

- **"Telnet Sockets"** on page 75
- **"Sending SCPI Commands Using Browser Web Control"** on page 75

### Telnet Sockets

The following information is provided for programmers who wish to control the oscilloscope with SCPI commands in a Telnet session.

To connect to the oscilloscope via a telnet socket, issue the following command:

```
telnet <hostname> 5024
```

where <hostname> is the hostname of the oscilloscope. This will give you a command line with prompt.

For a command line without a prompt, use port 5025. For example:

```
telnet <hostname> 5025
```

### Sending SCPI Commands Using Browser Web Control

To send SCPI commands using the Browser Web Control feature, establish a connection to the oscilloscope via LAN as described in the *InfiniiVision 3000 X-Series Oscilloscopes User's Guide*. When you make the connection to the oscilloscope via LAN and the instrument's welcome page is displayed, select the **Browser Web Control** tab, then select the **Remote Programming** link.



# 4 Commands Quick Reference

Command Summary / 78

Syntax Elements / 167

## Command Summary

- Common (\*) Commands Summary (see [page 80](#))
- Root (:) Commands Summary (see [page 84](#))
- :ACQuire Commands Summary (see [page 87](#))
- :BUS<n> Commands Summary (see [page 88](#))
- :CALibrate Commands Summary (see [page 89](#))
- :CHANnel<n> Commands Summary (see [page 89](#))
- :DEMO Commands Summary (see [page 91](#))
- :DIGital<n> Commands Summary (see [page 92](#))
- :DISPlay Commands Summary (see [page 93](#))
- :DVM Commands Summary (see [page 94](#))
- :EXTeRnal Trigger Commands Summary (see [page 94](#))
- :FUNctIon Commands Summary (see [page 95](#))
- :HARDcopy Commands Summary (see [page 97](#))
- :LISTer Commands Summary (see [page 99](#))
- :MARKer Commands Summary (see [page 99](#))
- :MEASure Commands Summary (see [page 101](#))
- :MEASure Power Commands Summary (see [page 114](#))
- :MTESt Commands Summary (see [page 116](#))
- :POD<n> Commands Summary (see [page 119](#))
- :POWeR Commands Summary (see [page 119](#))
- :RECall Commands Summary (see [page 124](#))
- :SAVE Commands Summary (see [page 125](#))
- General :SBUS<n> Commands Summary (see [page 127](#))
- :SBUS<n>:A429 Commands Summary (see [page 127](#))
- :SBUS<n>:CAN Commands Summary (see [page 129](#))
- :SBUS<n>:FLEXray Commands Summary (see [page 130](#))
- :SBUS<n>:I2S Commands Summary (see [page 132](#))
- :SBUS<n>:IIC Commands Summary (see [page 134](#))
- :SBUS<n>:LIN Commands Summary (see [page 135](#))
- :SBUS<n>:M1553 Commands Summary (see [page 136](#))
- :SBUS<n>:SPI Commands Summary (see [page 137](#))
- :SBUS<n>:UART Commands Summary (see [page 139](#))
- General :SEARch Commands Summary (see [page 141](#))

- :SEARch:EDGE Commands Summary (see [page 141](#))
- :SEARch:GLITCh Commands Summary (see [page 141](#))
- :SEARch:RUNT Commands Summary (see [page 142](#))
- :SEARch:TRANSition Commands Summary (see [page 142](#))
- :SEARch:SERial:A429 Commands Summary (see [page 143](#))
- :SEARch:SERial:CAN Commands Summary (see [page 144](#))
- :SEARch:SERial:FLEXray Commands Summary (see [page 144](#))
- :SEARch:SERial:I2S Commands Summary (see [page 145](#))
- :SEARch:SERial:IIC Commands Summary (see [page 145](#))
- :SEARch:SERial:LIN Commands Summary (see [page 146](#))
- :SEARch:SERial:M1553 Commands Summary (see [page 147](#))
- :SEARch:SERial:SPI Commands Summary (see [page 147](#))
- :SEARch:SERial:UART Commands Summary (see [page 148](#))
- :SYSTem Commands Summary (see [page 148](#))
- :TIMebase Commands Summary (see [page 150](#))
- General :TRIGger Commands Summary (see [page 150](#))
- :TRIGger:DELaY Commands Summary (see [page 151](#))
- :TRIGger:EBURst Commands Summary (see [page 152](#))
- :TRIGger[:EDGE] Commands Summary (see [page 153](#))
- :TRIGger:GLITCh Commands Summary (see [page 154](#))
- :TRIGger:OR Commands Summary (see [page 155](#))
- :TRIGger:PATtern Commands Summary (see [page 156](#))
- :TRIGger:RUNT Commands Summary (see [page 157](#))
- :TRIGger:SHOLd Commands Summary (see [page 157](#))
- :TRIGger:TRANSition Commands Summary (see [page 158](#))
- :TRIGger:TV Commands Summary (see [page 158](#))
- :TRIGger:USB Commands Summary (see [page 159](#))
- :WAVEform Commands Summary (see [page 160](#))
- :WGEN Commands Summary (see [page 162](#))
- :WMEMory<r> Commands Summary (see [page 165](#))

**Table 2** Common (\*) Commands Summary

Command	Query	Options and Query Returns
*CLS (see <a href="#">page 176</a> )	n/a	n/a
*ESE <mask> (see <a href="#">page 177</a> )	*ESE? (see <a href="#">page 177</a> )	<p>&lt;mask&gt; ::= 0 to 255; an integer in NR1 format:</p> <pre> Bit Weight Name Enables ----- 7      128 PON  Power On 6       64 URQ  User Request 5       32 CME  Command Error 4       16 EXE  Execution Error 3        8 DDE  Dev. Dependent Error 2        4 QYE  Query Error 1        2 RQL  Request Control 0         1 OPC  Operation Complete                     </pre>
n/a	*ESR? (see <a href="#">page 179</a> )	<status> ::= 0 to 255; an integer in NR1 format
n/a	*IDN? (see <a href="#">page 179</a> )	<p>AGILENT TECHNOLOGIES,&lt;model&gt;,&lt;serial number&gt;,X.XX.XX</p> <p>&lt;model&gt; ::= the model number of the instrument</p> <p>&lt;serial number&gt; ::= the serial number of the instrument</p> <p>&lt;X.XX.XX&gt; ::= the software revision of the instrument</p>
n/a	*LRN? (see <a href="#">page 182</a> )	<learn_string> ::= current instrument setup as a block of data in IEEE 488.2 # format
*OPC (see <a href="#">page 183</a> )	*OPC? (see <a href="#">page 183</a> )	ASCII "1" is placed in the output queue when all pending device operations have completed.



**Table 2** Common (\*) Commands Summary (continued)

Command	Query	Options and Query Returns
n/a	*OPT? (see <a href="#">page 184</a> )	<pre> &lt;return_value&gt; ::= 0,0,&lt;license info&gt; &lt;license info&gt; ::= &lt;All field&gt;, &lt;reserved&gt;, &lt;MSO&gt;, &lt;reserved&gt;, &lt;Memory&gt;, &lt;Low Speed Serial&gt;, &lt;Automotive Serial&gt;, &lt;reserved&gt;, &lt;FlexRay Serial&gt;, &lt;Power Measurements&gt;, &lt;RS-232/UART Serial&gt;, &lt;Segmented Memory&gt;, &lt;Mask Test&gt;, &lt;reserved&gt;, &lt;reserved&gt;, &lt;Bandwidth&gt;, &lt;reserved&gt;, &lt;reserved&gt;, &lt;I2S Serial&gt;, &lt;reserved&gt;, &lt;Educator's Kit&gt;, &lt;Waveform Generator&gt;, &lt;MIL-1553/ARINC 429 Serial&gt;, &lt;Extended Video&gt;, &lt;Advanced Math&gt;, &lt;reserved&gt;, &lt;reserved&gt;, &lt;reserved&gt;, &lt;Digital Voltmeter&gt;, &lt;reserved&gt;, &lt;reserved&gt;, &lt;reserved&gt;, &lt;Remote Command Logging&gt;, &lt;reserved&gt;, &lt;reserved&gt;, &lt;reserved&gt;, &lt;reserved&gt;, &lt;reserved&gt;, &lt;Automotive Software&gt;, &lt;General Purpose Software&gt;, &lt;Aerospace Software&gt;, &lt;Power Supply Test Software&gt;, &lt;Software Bundle&gt;                     </pre>

**Table 2** Common (\*) Commands Summary (continued)

Command	Query	Options and Query Returns
		<pre> &lt;All field&gt; ::= {0   All} &lt;reserved&gt; ::= 0 &lt;MSO&gt; ::= {0   MSO} &lt;Memory&gt; ::= {0   MEMUP} &lt;Low Speed Serial&gt; ::= {0   EMBD} &lt;Automotive Serial&gt; ::= {0   AUTO} &lt;FlexRay Serial&gt; ::= {0   FLEX} &lt;Power Measurements&gt; ::= {0   PWR} &lt;RS-232/UART Serial&gt; ::= {0   COMP} &lt;Segmented Memory&gt; ::= {0   SGM} &lt;Mask Test&gt; ::= {0   MASK} &lt;Bandwidth&gt; ::= {0   BW20   BW50} &lt;I2S Serial&gt; ::= {0   AUDIO} &lt;Educator's Kit&gt; ::= {0   EDK} &lt;Waveform Generator&gt; ::= {0   WAVEGEN} &lt;MIL-1553/ARINC 429 Serial&gt; ::= {0   AERO} &lt;Extended Video&gt; ::= {0   VID} &lt;Advanced Math&gt; ::= {0   ADVMATH} &lt;Digital Voltmeter&gt; ::= {0   DVM} &lt;Remote Command Logging&gt; ::= {0   RML} &lt;Automotive Software&gt; ::= {0   D3000AUTA} &lt;General Purpose Software&gt; ::= {0   D3000GENA} &lt;Aerospace Software&gt; ::= {0   D3000AERA} &lt;Power Supply Test Software&gt; ::= {0   D3000PWRA} &lt;Software Bundle&gt; ::= {0   D3000BDLA} </pre>
*RCL <value> (see <a href="#">page 186</a> )	n/a	<pre> &lt;value&gt; ::= {0   1   4   5   6   7   8   9} </pre>

**Table 2** Common (\*) Commands Summary (continued)

Command	Query	Options and Query Returns																																				
*RST (see <a href="#">page 187</a> )	n/a	See *RST (Reset) (see <a href="#">page 187</a> )																																				
*SAV <value> (see <a href="#">page 190</a> )	n/a	<value> ::= {0   1   4   5   6   7   8   9}																																				
*SRE <mask> (see <a href="#">page 191</a> )	*SRE? (see <a href="#">page 192</a> )	<p>&lt;mask&gt; ::= sum of all bits that are set, 0 to 255; an integer in NR1 format. &lt;mask&gt; ::= following values:</p> <table border="0"> <thead> <tr> <th>Bit</th> <th>Weight</th> <th>Name</th> <th>Enables</th> </tr> </thead> <tbody> <tr> <td>7</td> <td>128</td> <td>OPER</td> <td>Operation Status Reg</td> </tr> <tr> <td>6</td> <td>64</td> <td>----</td> <td>(Not used.)</td> </tr> <tr> <td>5</td> <td>32</td> <td>ESB</td> <td>Event Status Bit</td> </tr> <tr> <td>4</td> <td>16</td> <td>MAV</td> <td>Message Available</td> </tr> <tr> <td>3</td> <td>8</td> <td>----</td> <td>(Not used.)</td> </tr> <tr> <td>2</td> <td>4</td> <td>MSG</td> <td>Message</td> </tr> <tr> <td>1</td> <td>2</td> <td>USR</td> <td>User</td> </tr> <tr> <td>0</td> <td>1</td> <td>TRG</td> <td>Trigger</td> </tr> </tbody> </table>	Bit	Weight	Name	Enables	7	128	OPER	Operation Status Reg	6	64	----	(Not used.)	5	32	ESB	Event Status Bit	4	16	MAV	Message Available	3	8	----	(Not used.)	2	4	MSG	Message	1	2	USR	User	0	1	TRG	Trigger
Bit	Weight	Name	Enables																																			
7	128	OPER	Operation Status Reg																																			
6	64	----	(Not used.)																																			
5	32	ESB	Event Status Bit																																			
4	16	MAV	Message Available																																			
3	8	----	(Not used.)																																			
2	4	MSG	Message																																			
1	2	USR	User																																			
0	1	TRG	Trigger																																			
n/a	*STB? (see <a href="#">page 193</a> )	<p>&lt;value&gt; ::= 0 to 255; an integer in NR1 format, as shown in the following:</p> <table border="0"> <thead> <tr> <th>Bit</th> <th>Weight</th> <th>Name</th> <th>"1" Indicates</th> </tr> </thead> <tbody> <tr> <td>7</td> <td>128</td> <td>OPER</td> <td>Operation status condition occurred.</td> </tr> <tr> <td>6</td> <td>64</td> <td>RQS/ MSS</td> <td>Instrument is requesting service.</td> </tr> <tr> <td>5</td> <td>32</td> <td>ESB</td> <td>Enabled event status condition occurred.</td> </tr> <tr> <td>4</td> <td>16</td> <td>MAV</td> <td>Message available.</td> </tr> <tr> <td>3</td> <td>8</td> <td>----</td> <td>(Not used.)</td> </tr> <tr> <td>2</td> <td>4</td> <td>MSG</td> <td>Message displayed.</td> </tr> <tr> <td>1</td> <td>2</td> <td>USR</td> <td>User event condition occurred.</td> </tr> <tr> <td>0</td> <td>1</td> <td>TRG</td> <td>A trigger occurred.</td> </tr> </tbody> </table>	Bit	Weight	Name	"1" Indicates	7	128	OPER	Operation status condition occurred.	6	64	RQS/ MSS	Instrument is requesting service.	5	32	ESB	Enabled event status condition occurred.	4	16	MAV	Message available.	3	8	----	(Not used.)	2	4	MSG	Message displayed.	1	2	USR	User event condition occurred.	0	1	TRG	A trigger occurred.
Bit	Weight	Name	"1" Indicates																																			
7	128	OPER	Operation status condition occurred.																																			
6	64	RQS/ MSS	Instrument is requesting service.																																			
5	32	ESB	Enabled event status condition occurred.																																			
4	16	MAV	Message available.																																			
3	8	----	(Not used.)																																			
2	4	MSG	Message displayed.																																			
1	2	USR	User event condition occurred.																																			
0	1	TRG	A trigger occurred.																																			
*TRG (see <a href="#">page 195</a> )	n/a	n/a																																				
n/a	*TST? (see <a href="#">page 196</a> )	<result> ::= 0 or non-zero value; an integer in NR1 format																																				
*WAI (see <a href="#">page 197</a> )	n/a	n/a																																				

**Table 3** Root (:): Commands Summary

Command	Query	Options and Query Returns
:ACTivity (see <a href="#">page 203</a> )	:ACTivity? (see <a href="#">page 203</a> )	<return value> ::= <edges>, <levels>  <edges> ::= presence of edges (32-bit integer in NR1 format)  <levels> ::= logical highs or lows (32-bit integer in NR1 format)
n/a	:AER? (see <a href="#">page 204</a> )	{0   1}; an integer in NR1 format
:AUToscale [<source>[, ..., <source>]] (see <a href="#">page 205</a> )	n/a	<source> ::= CHANNEL<n> for DSO models  <source> ::= {CHANNEL<n>   DIGital<d>   POD1   POD2} for MSO models  <source> can be repeated up to 5 times  <n> ::= 1 to (# analog channels) in NR1 format  <d> ::= 0 to (# digital channels - 1) in NR1 format
:AUToscale:AMODE <value> (see <a href="#">page 207</a> )	:AUToscale:AMODE? (see <a href="#">page 207</a> )	<value> ::= {NORMAL   CURRENT}}
:AUToscale:CHANnels <value> (see <a href="#">page 208</a> )	:AUToscale:CHANnels? (see <a href="#">page 208</a> )	<value> ::= {ALL   DISPLAYed}}
:AUToscale:FDEBug {{0   OFF}   {1   ON}} (see <a href="#">page 209</a> )	:AUToscale:FDEBug? (see <a href="#">page 209</a> )	{0   1}
:BLANK [<source>] (see <a href="#">page 210</a> )	n/a	<source> ::= {CHANNEL<n>   FUNCTION   MATH   SBUS{1   2}   WMemory<r>} for DSO models  <source> ::= {CHANNEL<n>   DIGital<d>   POD{1   2}   BUS{1   2}   FUNCTION   MATH   SBUS{1   2}   WMemory<r>} for MSO models  <n> ::= 1 to (# analog channels) in NR1 format  <d> ::= 0 to (# digital channels - 1) in NR1 format  <r> ::= 1 to (# ref waveforms) in NR1 format

**Table 3** Root (:): Commands Summary (continued)

Command	Query	Options and Query Returns
:DIGitize [<source>[,...,<source>]] (see <a href="#">page 211</a> )	n/a	<source> ::= {CHANnel<n>   FUNction   MATH   SBUS{1   2}} for DSO models  <source> ::= {CHANnel<n>   DIGital<d>   POD{1   2}   BUS{1   2}   FUNction   MATH   SBUS{1   2}} for MSO models  <source> can be repeated up to 5 times  <n> ::= 1 to (# analog channels) in NR1 format  <d> ::= 0 to (# digital channels - 1) in NR1 format
:MTEenable <n> (see <a href="#">page 213</a> )	:MTEenable? (see <a href="#">page 213</a> )	<n> ::= 16-bit integer in NR1 format
n/a	:MTEregister[:EVENT]? (see <a href="#">page 215</a> )	<n> ::= 16-bit integer in NR1 format
:OPEE <n> (see <a href="#">page 217</a> )	:OPEE? (see <a href="#">page 218</a> )	<n> ::= 15-bit integer in NR1 format
n/a	:OPERregister:CONDition? (see <a href="#">page 219</a> )	<n> ::= 15-bit integer in NR1 format
n/a	:OPERregister[:EVENT]? (see <a href="#">page 221</a> )	<n> ::= 15-bit integer in NR1 format
:OVLenable <mask> (see <a href="#">page 223</a> )	:OVLenable? (see <a href="#">page 224</a> )	<mask> ::= 16-bit integer in NR1 format as shown:  Bit Weight Input ----- 10 1024 Ext Trigger Fault 9 512 Channel 4 Fault 8 256 Channel 3 Fault 7 128 Channel 2 Fault 6 64 Channel 1 Fault 4 16 Ext Trigger OVL 3 8 Channel 4 OVL 2 4 Channel 3 OVL 1 2 Channel 2 OVL 0 1 Channel 1 OVL
n/a	:OVLregister? (see <a href="#">page 225</a> )	<value> ::= integer in NR1 format. See OVLenable for <value>

**Table 3** Root (:): Commands Summary (continued)

Command	Query	Options and Query Returns
:PRINT [<options>] (see <a href="#">page 227</a> )	n/a	<options> ::= [<print option>][,...,<print option>]  <print option> ::= {COLor   GRAYscale   PRINter0   PRINter1   BMP8bit   BMP   PNG   NOFactors   FACTors}  <print option> can be repeated up to 5 times.
:PWRenable <n> (see <a href="#">page 228</a> )	:PWRenable? (see <a href="#">page 228</a> )	<n> ::= 16-bit integer in NR1 format
n/a	:PWRRegister[:EVENT]? (see <a href="#">page 230</a> )	<n> ::= 16-bit integer in NR1 format
n/a	:RState? (see <a href="#">page 231</a> )	{RUN   STOP   SING}
:RUN (see <a href="#">page 232</a> )	n/a	n/a
n/a	:SERial (see <a href="#">page 233</a> )	<return value> ::= unquoted string containing serial number
:SINGle (see <a href="#">page 234</a> )	n/a	n/a
n/a	:STATus? <display> (see <a href="#">page 235</a> )	{0   1}  <display> ::= {CHANnel<n>   DIGital<d>   POD{1   2}   BUS{1   2}   FUNction   MATH   SBUS{1   2}   WMEMory<r>}  <n> ::= 1 to (# analog channels) in NR1 format  <d> ::= 0 to (# digital channels - 1) in NR1 format  <r> ::= 1 to (# ref waveforms) in NR1 format
:STOP (see <a href="#">page 236</a> )	n/a	n/a

**Table 3** Root (:): Commands Summary (continued)

Command	Query	Options and Query Returns
n/a	:TER? (see <a href="#">page 237</a> )	{0   1}
:VIEW <source> (see <a href="#">page 238</a> )	n/a	<source> ::= {CHANNEL<n>   FUNCTION   MATH   SBUS{1   2}   WMemory<r>} for DSO models <source> ::= {CHANNEL<n>   DIGital<d>   POD{1   2}   BUS{1   2}   FUNCTION   MATH   SBUS{1   2}   WMemory<r>} for MSO models <n> ::= 1 to (# analog channels) in NR1 format <d> ::= 0 to (# digital channels - 1) in NR1 format <r> ::= 1 to (# ref waveforms) in NR1 format

**Table 4** :ACQUIRE Commands Summary

Command	Query	Options and Query Returns
:ACQUIRE:COMPLETE <complete> (see <a href="#">page 241</a> )	:ACQUIRE:COMPLETE? (see <a href="#">page 241</a> )	<complete> ::= 100; an integer in NR1 format
:ACQUIRE:COUNT <count> (see <a href="#">page 242</a> )	:ACQUIRE:COUNT? (see <a href="#">page 242</a> )	<count> ::= an integer from 2 to 65536 in NR1 format
:ACQUIRE:MODE <mode> (see <a href="#">page 243</a> )	:ACQUIRE:MODE? (see <a href="#">page 243</a> )	<mode> ::= {RTIME   SEGmented}
n/a	:ACQUIRE:POINTS? (see <a href="#">page 244</a> )	<# points> ::= an integer in NR1 format
:ACQUIRE:SEGmented:ANALyze (see <a href="#">page 245</a> )	n/a	n/a (with Option SGM)
:ACQUIRE:SEGmented:COUNT <count> (see <a href="#">page 246</a> )	:ACQUIRE:SEGmented:COUNT? (see <a href="#">page 246</a> )	<count> ::= an integer from 2 to 1000 in NR1 format (with Option SGM)
:ACQUIRE:SEGmented:INDEX <index> (see <a href="#">page 247</a> )	:ACQUIRE:SEGmented:INDEX? (see <a href="#">page 247</a> )	<index> ::= an integer from 1 to 1000 in NR1 format (with Option SGM)
n/a	:ACQUIRE:SRATE? (see <a href="#">page 250</a> )	<sample_rate> ::= sample rate (samples/s) in NR3 format
:ACQUIRE:TYPE <type> (see <a href="#">page 251</a> )	:ACQUIRE:TYPE? (see <a href="#">page 251</a> )	<type> ::= {NORMAL   AVERAGE   HRESolution   PEAK}

**Table 5** :BUS<n> Commands Summary

Command	Query	Options and Query Returns
:BUS<n>:BIT<m> {{0   OFF}   {1   ON}} (see <a href="#">page 255</a> )	:BUS<n>:BIT<m>? (see <a href="#">page 255</a> )	{0   1} <n> ::= 1 or 2; an integer in NR1 format <m> ::= 0-15; an integer in NR1 format
:BUS<n>:BITS <channel_list>, {{0   OFF}   {1   ON}} (see <a href="#">page 256</a> )	:BUS<n>:BITS? (see <a href="#">page 256</a> )	<channel_list>, {0   1} <channel_list> ::= (@<m>, <m>:<m> ...) where "," is separator and ":" is range <n> ::= 1 or 2; an integer in NR1 format <m> ::= 0-15; an integer in NR1 format
:BUS<n>:CLear (see <a href="#">page 258</a> )	n/a	<n> ::= 1 or 2; an integer in NR1 format
:BUS<n>:DISPlay {{0   OFF}   {1   ON}} (see <a href="#">page 259</a> )	:BUS<n>:DISPlay? (see <a href="#">page 259</a> )	{0   1} <n> ::= 1 or 2; an integer in NR1 format
:BUS<n>:LABel <string> (see <a href="#">page 260</a> )	:BUS<n>:LABel? (see <a href="#">page 260</a> )	<string> ::= quoted ASCII string up to 10 characters <n> ::= 1 or 2; an integer in NR1 format
:BUS<n>:MASK <mask> (see <a href="#">page 261</a> )	:BUS<n>:MASK? (see <a href="#">page 261</a> )	<mask> ::= 32-bit integer in decimal, <nondecimal>, or <string> <nondecimal> ::= #Hnn...n where n ::= {0,...,9   A,...,F} for hexadecimal <nondecimal> ::= #Bnn...n where n ::= {0   1} for binary <string> ::= "0xnn...n" where n ::= {0,...,9   A,...,F} for hexadecimal <n> ::= 1 or 2; an integer in NR1 format



**Table 6** :CALibrate Commands Summary

Command	Query	Options and Query Returns
n/a	:CALibrate:DATE? (see <a href="#">page 265</a> )	<return value> ::= <year>, <month>, <day>; all in NR1 format
:CALibrate:LABel <string> (see <a href="#">page 266</a> )	:CALibrate:LABel? (see <a href="#">page 266</a> )	<string> ::= quoted ASCII string up to 32 characters
:CALibrate:OUTPut <signal> (see <a href="#">page 267</a> )	:CALibrate:OUTPut? (see <a href="#">page 267</a> )	<signal> ::= {TRIGgers   MASK   WAVEgen}
n/a	:CALibrate:PROTected? (see <a href="#">page 268</a> )	{"PROTected"   "UNPRotected"}
:CALibrate:STARt (see <a href="#">page 269</a> )	n/a	n/a
n/a	:CALibrate:STATus? (see <a href="#">page 270</a> )	<return value> ::= <status_code>, <status_string> <status_code> ::= an integer status code <status_string> ::= an ASCII status string
n/a	:CALibrate:TEMPeratur e? (see <a href="#">page 271</a> )	<return value> ::= degrees C delta since last cal in NR3 format
n/a	:CALibrate:TIME? (see <a href="#">page 272</a> )	<return value> ::= <hours>, <minutes>, <seconds>; all in NR1 format

**Table 7** :CHANnel<n> Commands Summary

Command	Query	Options and Query Returns
:CHANnel<n>:BANDwidth <limit> (see <a href="#">page 276</a> )	:CHANnel<n>:BANDwidth ? [MAXimum] (see <a href="#">page 276</a> )	<limit> ::= 25E6 in NR3 format <n> ::= 1 to (# analog channels) in NR1 format
:CHANnel<n>:BWLimit { {0   OFF}   {1   ON} } (see <a href="#">page 277</a> )	:CHANnel<n>:BWLimit? (see <a href="#">page 277</a> )	{0   1} <n> ::= 1 to (# analog channels) in NR1 format
:CHANnel<n>:COUPling <coupling> (see <a href="#">page 278</a> )	:CHANnel<n>:COUPling? (see <a href="#">page 278</a> )	<coupling> ::= {AC   DC} <n> ::= 1 to (# analog channels) in NR1 format

**Table 7** :CHANnel<n> Commands Summary (continued)

Command	Query	Options and Query Returns
:CHANnel<n>:DISPlay { {0   OFF}   {1   ON} } (see <a href="#">page 279</a> )	:CHANnel<n>:DISPlay? (see <a href="#">page 279</a> )	{0   1} <n> ::= 1 to (# analog channels) in NR1 format
:CHANnel<n>:IMPedance <impedance> (see <a href="#">page 280</a> )	:CHANnel<n>:IMPedance? (see <a href="#">page 280</a> )	<impedance> ::= {ONEMeg   FIFTy} <n> ::= 1 to (# analog channels) in NR1 format
:CHANnel<n>:INVert { {0   OFF}   {1   ON} } (see <a href="#">page 281</a> )	:CHANnel<n>:INVert? (see <a href="#">page 281</a> )	{0   1} <n> ::= 1 to (# analog channels) in NR1 format
:CHANnel<n>:LABel <string> (see <a href="#">page 282</a> )	:CHANnel<n>:LABel? (see <a href="#">page 282</a> )	<string> ::= any series of 10 or less ASCII characters enclosed in quotation marks <n> ::= 1 to (# analog channels) in NR1 format
:CHANnel<n>:OFFSet <offset>[suffix] (see <a href="#">page 283</a> )	:CHANnel<n>:OFFSet? (see <a href="#">page 283</a> )	<offset> ::= Vertical offset value in NR3 format [suffix] ::= {V   mV} <n> ::= 1-2 or 1-4; in NR1 format
:CHANnel<n>:PROBe <attenuation> (see <a href="#">page 284</a> )	:CHANnel<n>:PROBe? (see <a href="#">page 284</a> )	<attenuation> ::= Probe attenuation ratio in NR3 format <n> ::= 1-2 or 1-4; in NR1 format
:CHANnel<n>:PROBe:CAL ibration (see <a href="#">page 285</a> )	n/a	n/a
:CHANnel<n>:PROBe:HEA D[:TYPE] <head_param> (see <a href="#">page 286</a> )	:CHANnel<n>:PROBe:HEA D[:TYPE]? (see <a href="#">page 286</a> )	<head_param> ::= {SEND0   SEND6   SEND12   SEND20   DIFF0   DIFF6   DIFF12   DIFF20   NONE} <n> ::= 1 to (# analog channels) in NR1 format
n/a	:CHANnel<n>:PROBe:ID? (see <a href="#">page 287</a> )	<probe id> ::= unquoted ASCII string up to 11 characters <n> ::= 1 to (# analog channels) in NR1 format
:CHANnel<n>:PROBe:SKE W <skew_value> (see <a href="#">page 288</a> )	:CHANnel<n>:PROBe:SKE W? (see <a href="#">page 288</a> )	<skew_value> ::= -100 ns to +100 ns in NR3 format <n> ::= 1 to (# analog channels) in NR1 format

**Table 7** :CHANnel<n> Commands Summary (continued)

Command	Query	Options and Query Returns
:CHANnel<n>:PROBe:STYPe <signal type> (see <a href="#">page 289</a> )	:CHANnel<n>:PROBe:STYPe? (see <a href="#">page 289</a> )	<signal type> ::= {DIFFerential   SINGLE} <n> ::= 1 to (# analog channels) in NR1 format
:CHANnel<n>:PROTection (see <a href="#">page 290</a> )	:CHANnel<n>:PROTection? (see <a href="#">page 290</a> )	{NORM   TRIP} <n> ::= 1 to (# analog channels) in NR1 format
:CHANnel<n>:RANge <range>[suffix] (see <a href="#">page 291</a> )	:CHANnel<n>:RANge? (see <a href="#">page 291</a> )	<range> ::= Vertical full-scale range value in NR3 format [suffix] ::= {V   mV} <n> ::= 1 to (# analog channels) in NR1 format
:CHANnel<n>:SCALe <scale>[suffix] (see <a href="#">page 292</a> )	:CHANnel<n>:SCALe? (see <a href="#">page 292</a> )	<scale> ::= Vertical units per division value in NR3 format [suffix] ::= {V   mV} <n> ::= 1 to (# analog channels) in NR1 format
:CHANnel<n>:UNITs <units> (see <a href="#">page 293</a> )	:CHANnel<n>:UNITs? (see <a href="#">page 293</a> )	<units> ::= {VOLT   AMPere} <n> ::= 1 to (# analog channels) in NR1 format
:CHANnel<n>:VERNier {{0   OFF}   {1   ON}} (see <a href="#">page 294</a> )	:CHANnel<n>:VERNier? (see <a href="#">page 294</a> )	{0   1} <n> ::= 1 to (# analog channels) in NR1 format

**Table 8** :DEMO Commands Summary

Command	Query	Options and Query Returns
:DEMO:FUNction <signal> (see <a href="#">page 296</a> )	:DEMO:FUNction? (see <a href="#">page 299</a> )	<signal> ::= {SINusoid   NOISy   PHASe   LFSine   AM   RFBurst   FMBurst   HARMonics   COUPLing   RINGing   SINGLE   CLK   RUNT   TRANSition   SHOLd   MSO   BURSt   GLITCh   ETE   I2C   UART   SPI   I2S   CAN   LIN   CANLin   FLEXray   ARINc   MIL   MIL2}

**Table 8** :DEMO Commands Summary (continued)

Command	Query	Options and Query Returns
:DEMO:FUNCTION:PHASE:PHASE <angle> (see <a href="#">page 300</a> )	:DEMO:FUNCTION:PHASE:PHASE? (see <a href="#">page 300</a> )	<angle> ::= angle in degrees from 0 to 360 in NR3 format
:DEMO:OUTPUT {{0   OFF}   {1   ON}} (see <a href="#">page 301</a> )	:DEMO:OUTPUT? (see <a href="#">page 301</a> )	{0   1}

**Table 9** :DIGITAL<d> Commands Summary

Command	Query	Options and Query Returns
:DIGITAL<d>:DISPLAY {{0   OFF}   {1   ON}} (see <a href="#">page 305</a> )	:DIGITAL<d>:DISPLAY? (see <a href="#">page 305</a> )	<d> ::= 0 to (# digital channels - 1) in NR1 format {0   1}
:DIGITAL<d>:LABEL <string> (see <a href="#">page 306</a> )	:DIGITAL<d>:LABEL? (see <a href="#">page 306</a> )	<d> ::= 0 to (# digital channels - 1) in NR1 format <string> ::= any series of 10 or less ASCII characters enclosed in quotation marks
:DIGITAL<d>:POSITION <position> (see <a href="#">page 307</a> )	:DIGITAL<d>:POSITION? (see <a href="#">page 307</a> )	<d> ::= 0 to (# digital channels - 1) in NR1 format <position> ::= 0-7 if display size = large, 0-15 if size = medium, 0-31 if size = small Returns -1 when there is no space to display the digital waveform.
:DIGITAL<d>:SIZE <value> (see <a href="#">page 308</a> )	:DIGITAL<d>:SIZE? (see <a href="#">page 308</a> )	<d> ::= 0 to (# digital channels - 1) in NR1 format <value> ::= {SMALL   MEDIUM   LARGE}
:DIGITAL<d>:THRESHOLD <value>[suffix] (see <a href="#">page 309</a> )	:DIGITAL<d>:THRESHOLD? (see <a href="#">page 309</a> )	<d> ::= 0 to (# digital channels - 1) in NR1 format <value> ::= {CMOS   ECL   TTL   <user defined value>} <user defined value> ::= value in NR3 format from -8.00 to +8.00 [suffix] ::= {V   mV   uV}

**Table 10** :DISPlay Commands Summary

Command	Query	Options and Query Returns
:DISPlay:ANNotation {0   OFF}   {1   ON} (see <a href="#">page 313</a> )	:DISPlay:ANNotation? (see <a href="#">page 313</a> )	{0   1}
:DISPlay:ANNotation:BACKground <mode> (see <a href="#">page 314</a> )	:DISPlay:ANNotation:BACKground? (see <a href="#">page 314</a> )	<mode> ::= {OPAQue   INVerted   TRANSPARENT}
:DISPlay:ANNotation:COLOR <color> (see <a href="#">page 315</a> )	:DISPlay:ANNotation:COLOR? (see <a href="#">page 315</a> )	<color> ::= {CH1   CH2   CH3   CH4   DIG   MATH   REF   MARKer   WHITE   RED}
:DISPlay:ANNotation:TEXT <string> (see <a href="#">page 316</a> )	:DISPlay:ANNotation:TEXT? (see <a href="#">page 316</a> )	<string> ::= quoted ASCII string (up to 254 characters)
:DISPlay:CLEar (see <a href="#">page 317</a> )	n/a	n/a
n/a	:DISPlay:DATA? [<format>][,][<palette>] (see <a href="#">page 318</a> )	<format> ::= {BMP   BMP8bit   PNG} <palette> ::= {COLor   GRAYscale} <display data> ::= data in IEEE 488.2 # format
:DISPlay:INTensity:WAVEform <value> (see <a href="#">page 320</a> )	:DISPlay:INTensity:WAVEform? (see <a href="#">page 320</a> )	<value> ::= an integer from 0 to 100 in NR1 format.
:DISPlay:LABEL {{0   OFF}   {1   ON}} (see <a href="#">page 321</a> )	:DISPlay:LABEL? (see <a href="#">page 321</a> )	{0   1}
:DISPlay:LABList <binary block> (see <a href="#">page 322</a> )	:DISPlay:LABList? (see <a href="#">page 322</a> )	<binary block> ::= an ordered list of up to 75 labels, each 10 characters maximum, separated by newline characters
:DISPlay:PERSistence <value> (see <a href="#">page 323</a> )	:DISPlay:PERSistence? (see <a href="#">page 323</a> )	<value> ::= {MINimum   INFinite   <time>} <time> ::= seconds in in NR3 format from 100E-3 to 60E0
:DISPlay:PERSistence:CLEar (see <a href="#">page 324</a> )	n/a	n/a
:DISPlay:VECTors {1   ON} (see <a href="#">page 325</a> )	:DISPlay:VECTors? (see <a href="#">page 325</a> )	1

**Table 11** :DVM Commands Summary

Command	Query	Options and Query Returns
:DVM:ARANge {{0   OFF}   {1   ON}} (see <a href="#">page 328</a> )	:DVM:ARANge? (see <a href="#">page 328</a> )	{0   1}
n/a	:DVM:CURRent? (see <a href="#">page 329</a> )	<dvm_value> ::= floating-point number in NR3 format
:DVM:ENABLe {{0   OFF}   {1   ON}} (see <a href="#">page 330</a> )	:DVM:ENABLe? (see <a href="#">page 330</a> )	{0   1}
n/a	:DVM:FREQuency? (see <a href="#">page 329</a> )	<freq_value> ::= floating-point number in NR3 format
:DVM:MODE <mode> (see <a href="#">page 332</a> )	:DVM:MODE? (see <a href="#">page 332</a> )	<dvm_mode> ::= {ACRMs   DC   DCRMs   FREQuency}
:DVM:SOURce <source> (see <a href="#">page 333</a> )	:DVM:SOURce? (see <a href="#">page 333</a> )	<source> ::= {CHANnel<n>} <n> ::= 1-2 or 1-4 in NR1 format

**Table 12** :EXTernal Trigger Commands Summary

Command	Query	Options and Query Returns
:EXTernal:BWLimit <bwlimit> (see <a href="#">page 336</a> )	:EXTernal:BWLimit? (see <a href="#">page 336</a> )	<bwlimit> ::= {0   OFF}
:EXTernal:PROBe <attenuation> (see <a href="#">page 337</a> )	:EXTernal:PROBe? (see <a href="#">page 337</a> )	<attenuation> ::= probe attenuation ratio in NR3 format
:EXTernal:RANge <range> [<suffix>] (see <a href="#">page 338</a> )	:EXTernal:RANge? (see <a href="#">page 338</a> )	<range> ::= vertical full-scale range value in NR3 format <suffix> ::= {V   mV}
:EXTernal:UNITs <units> (see <a href="#">page 339</a> )	:EXTernal:UNITs? (see <a href="#">page 339</a> )	<units> ::= {VOLT   AMPere}

**Table 13** :FUNction Commands Summary

Command	Query	Options and Query Returns
:FUNction:BUS:CLOCK <source> (see page 346)	:FUNction:BUS:CLOCK? (see page 346)	<source> ::= {CHANnel<n>   DIGital<d>}  <n> ::= 1 to (# analog channels) in NR1 format  <d> ::= 0 to (# digital channels - 1) in NR1 format
:FUNction:BUS:SLOPe <slope> (see page 347)	:FUNction:BUS:SLOPe? (see page 347)	<slope> ::= {NEGative   POSitive   EITHER}
:FUNction:BUS:YINCrement <value> (see page 348)	:FUNction:BUS:YINCrement? (see page 348)	<value> ::= value per bus code, in NR3 format
:FUNction:BUS:YORigin <value> (see page 349)	:FUNction:BUS:YORigin? (see page 349)	<value> ::= value at bus code = 0, in NR3 format
:FUNction:BUS:YUNits <units> (see page 350)	:FUNction:BUS:YUNits? (see page 350)	<units> ::= {VOLT   AMPere   NONE}
:FUNction:DISPlay {{0   OFF}   {1   ON}} (see page 351)	:FUNction:DISPlay? (see page 351)	{0   1}
:FUNction[:FFT]:CENTer <frequency> (see page 352)	:FUNction[:FFT]:CENTer? (see page 352)	<frequency> ::= the current center frequency in NR3 format. The range of legal values is from 0 Hz to 25 GHz.
:FUNction[:FFT]:SPAN <span> (see page 353)	:FUNction[:FFT]:SPAN? (see page 353)	<span> ::= the current frequency span in NR3 format.  Legal values are 1 Hz to 100 GHz.
:FUNction[:FFT]:VTYPE <units> (see page 354)	:FUNction[:FFT]:VTYPE? (see page 354)	<units> ::= {DECibel   VRMS}
:FUNction[:FFT]:WINDow <window> (see page 355)	:FUNction[:FFT]:WINDow? (see page 355)	<window> ::= {RECTangular   HANNing   FLATtop   BHARRis}
:FUNction:FREQuency:H IGHpass <3dB_freq> (see page 356)	:FUNction:FREQuency:H IGHpass? (see page 356)	<3dB_freq> ::= 3dB cutoff frequency value in NR3 format
:FUNction:FREQuency:L OWPass <3dB_freq> (see page 357)	:FUNction:FREQuency:L OWPass? (see page 357)	<3dB_freq> ::= 3dB cutoff frequency value in NR3 format
:FUNction:GOFT:OPERat ion <operation> (see page 358)	:FUNction:GOFT:OPERat ion? (see page 358)	<operation> ::= {ADD   SUBtract   MULTiply}

**Table 13** :FUNction Commands Summary (continued)

Command	Query	Options and Query Returns
:FUNction:GOFT:SOURce 1 <source> (see page 359)	:FUNction:GOFT:SOURce 1? (see page 359)	<source> ::= CHANnel<n> <n> ::= {1   2   3   4} for 4ch models <n> ::= {1   2} for 2ch models
:FUNction:GOFT:SOURce 2 <source> (see page 360)	:FUNction:GOFT:SOURce 2? (see page 360)	<source> ::= CHANnel<n> <n> ::= {1   2   3   4} for 4ch models <n> ::= {1   2} for 2ch models
:FUNction:INTegrate:IOFFset <input_offset> (see page 361)	:FUNction:INTegrate:IOFFset? (see page 361)	<input_offset> ::= DC offset correction in NR3 format.
:FUNction:LINear:GAIN <value> (see page 362)	:FUNction:LINear:GAIN ? (see page 362)	<value> ::= 'A' in Ax + B, value in NR3 format
:FUNction:LINear:OFFSet <value> (see page 363)	:FUNction:LINear:OFFSet? (see page 363)	<value> ::= 'B' in Ax + B, value in NR3 format
:FUNction:OFFSet <offset> (see page 364)	:FUNction:OFFSet? (see page 364)	<offset> ::= the value at center screen in NR3 format.  The range of legal values is +/-10 times the current sensitivity of the selected function.
:FUNction:OPERation <operation> (see page 365)	:FUNction:OPERation? (see page 366)	<operation> ::= {ADD   SUBtract   MULTiply   INTegrate   DIFF   FFT   SQRT   MAGNify   ABSolute   SQUare   LN   LOG   EXP   TEN   LOWPass   HIGHpass   DIVide   LINear   TREND   BTIMing   BSTate}
:FUNction:RANGe <range> (see page 367)	:FUNction:RANGe? (see page 367)	<range> ::= the full-scale vertical axis value in NR3 format.  The range for ADD, SUBT, MULT is 8E-6 to 800E+3. The range for the INTegrate function is 8E-9 to 400E+3.  The range for the DIFF function is 80E-3 to 8.0E12 (depends on current sweep speed).  The range for the FFT function is 8 to 800 dBV.



**Table 13** :FUNction Commands Summary (continued)

Command	Query	Options and Query Returns
:FUNction:REfERence <level> (see <a href="#">page 368</a> )	:FUNction:REfERence? (see <a href="#">page 368</a> )	<level> ::= the value at center screen in NR3 format.  The range of legal values is +/-10 times the current sensitivity of the selected function.
:FUNction:SCALe <scale value>[<suffix>] (see <a href="#">page 369</a> )	:FUNction:SCALe? (see <a href="#">page 369</a> )	<scale value> ::= integer in NR1 format  <suffix> ::= {V   dB}
:FUNction:SOURce1 <source> (see <a href="#">page 370</a> )	:FUNction:SOURce1? (see <a href="#">page 370</a> )	<source> ::= {CHANnel<n>   GOFT   BUS<m>}  <n> ::= {1   2   3   4} for 4ch models  <n> ::= {1   2} for 2ch models  <m> ::= {1   2}  GOFT is only for FFT, INTEgrate, DIFF, and SQRT operations.
:FUNction:SOURce2 <source> (see <a href="#">page 372</a> )	:FUNction:SOURce2? (see <a href="#">page 372</a> )	<source> ::= {CHANnel<n>   NONE}  <n> ::= {1   2   3   4} for 4ch models  <n> ::= {1   2} for 2ch models
:FUNction:TREND:MEASurement <type> (see <a href="#">page 373</a> )	:FUNction:TREND:MEASurement? (see <a href="#">page 373</a> )	<type> ::= {VAverage   ACRMs   VRATio   PERioD   FREQuency   PWIDth   NWIDth   DUTYcycle   RISetime   FALLtime}

**Table 14** :HARDcopy Commands Summary

Command	Query	Options and Query Returns
:HARDcopy:AREA <area> (see <a href="#">page 377</a> )	:HARDcopy:AREA? (see <a href="#">page 377</a> )	<area> ::= SCReen
:HARDcopy:APRinter <active_printer> (see <a href="#">page 378</a> )	:HARDcopy:APRinter? (see <a href="#">page 378</a> )	<active_printer> ::= {<index>   <name>}  <index> ::= integer index of printer in list  <name> ::= name of printer in list

**Table 14** :HARDcopy Commands Summary (continued)

Command	Query	Options and Query Returns
:HARDcopy:FACTors {{0   OFF}   {1   ON}} (see <a href="#">page 379</a> )	:HARDcopy:FACTors? (see <a href="#">page 379</a> )	{0   1}
:HARDcopy:FFeEd {{0   OFF}   {1   ON}} (see <a href="#">page 380</a> )	:HARDcopy:FFeEd? (see <a href="#">page 380</a> )	{0   1}
:HARDcopy:INKSaver {{0   OFF}   {1   ON}} (see <a href="#">page 381</a> )	:HARDcopy:INKSaver? (see <a href="#">page 381</a> )	{0   1}
:HARDcopy:LAYout <layout> (see <a href="#">page 382</a> )	:HARDcopy:LAYout? (see <a href="#">page 382</a> )	<layout> ::= {LANDscape   PORTRait}
:HARDcopy:NETWork:ADD Res <address> (see <a href="#">page 383</a> )	:HARDcopy:NETWork:ADD Res? (see <a href="#">page 383</a> )	<address> ::= quoted ASCII string
:HARDcopy:NETWork:APP Ly (see <a href="#">page 384</a> )	n/a	n/a
:HARDcopy:NETWork:DOM ain <domain> (see <a href="#">page 385</a> )	:HARDcopy:NETWork:DOM ain? (see <a href="#">page 385</a> )	<domain> ::= quoted ASCII string
:HARDcopy:NETWork:PAS Sword <password> (see <a href="#">page 386</a> )	n/a	<password> ::= quoted ASCII string
:HARDcopy:NETWork:SLO T <slot> (see <a href="#">page 387</a> )	:HARDcopy:NETWork:SLO T? (see <a href="#">page 387</a> )	<slot> ::= {NET0   NET1}
:HARDcopy:NETWork:USE Rname <username> (see <a href="#">page 388</a> )	:HARDcopy:NETWork:USE Rname? (see <a href="#">page 388</a> )	<username> ::= quoted ASCII string
:HARDcopy:PALETTE <palette> (see <a href="#">page 389</a> )	:HARDcopy:PALETTE? (see <a href="#">page 389</a> )	<palette> ::= {COLor   GRAYscale   NONE}

**Table 14** :HARDcopy Commands Summary (continued)

Command	Query	Options and Query Returns
n/a	:HARDcopy:PRINter:LIST? (see <a href="#">page 390</a> )	<list> ::= [<printer_spec>] ... [<printer_spec>] <printer_spec> ::= "<index>,<active>,<name>;" <index> ::= integer index of printer <active> ::= {Y   N} <name> ::= name of printer
:HARDcopy:START (see <a href="#">page 391</a> )	n/a	n/a

**Table 15** :LISTer Commands Summary

Command	Query	Options and Query Returns
n/a	:LISTer:DATA? (see <a href="#">page 394</a> )	<binary_block> ::= comma-separated data with newlines at the end of each row
:LISTer:DISPlay { {OFF   0}   {SBUS1   ON   1}   {SBUS2   2}   ALL} (see <a href="#">page 395</a> )	:LISTer:DISPlay? (see <a href="#">page 395</a> )	{OFF   SBUS1   SBUS2   ALL}
:LISTer:REfERENCE <time_ref> (see <a href="#">page 396</a> )	:LISTer:REfERENCE? (see <a href="#">page 396</a> )	<time_ref> ::= {TRIGger   PREVIOUS}

**Table 16** :MARKer Commands Summary

Command	Query	Options and Query Returns
:MARKer:MODE <mode> (see <a href="#">page 399</a> )	:MARKer:MODE? (see <a href="#">page 399</a> )	<mode> ::= {OFF   MEASurement   MANual   WAVeform}
:MARKer:X1Position <position>[suffix] (see <a href="#">page 400</a> )	:MARKer:X1Position? (see <a href="#">page 400</a> )	<position> ::= X1 cursor position value in NR3 format [suffix] ::= {s   ms   us   ns   ps   Hz   kHz   MHz} <return_value> ::= X1 cursor position value in NR3 format

**Table 16** :MARKer Commands Summary (continued)

Command	Query	Options and Query Returns
:MARKer:X1Y1source <source> (see page 401)	:MARKer:X1Y1source? (see page 401)	<source> ::= {CHANnel<n>   FUNction   MATH   WMEemory<r>} <n> ::= 1 to (# analog channels) in NR1 format <r> ::= 1-2 in NR1 format <return_value> ::= <source>
:MARKer:X2Position <position>[suffix] (see page 402)	:MARKer:X2Position? (see page 402)	<position> ::= X2 cursor position value in NR3 format [suffix] ::= {s   ms   us   ns   ps   Hz   kHz   MHz} <return_value> ::= X2 cursor position value in NR3 format
:MARKer:X2Y2source <source> (see page 403)	:MARKer:X2Y2source? (see page 403)	<source> ::= {CHANnel<n>   FUNction   MATH   WMEemory<r>} <n> ::= 1 to (# analog channels) in NR1 format <r> ::= 1-2 in NR1 format <return_value> ::= <source>
n/a	:MARKer:XDELta? (see page 404)	<return_value> ::= X cursors delta value in NR3 format
:MARKer:XUNits <mode> (see page 405)	:MARKer:XUNits? (see page 405)	<units> ::= {SEcOnDs   HERTz   DEGRees   PERCent}
:MARKer:XUNits:USE (see page 406)	n/a	n/a
:MARKer:Y1Position <position>[suffix] (see page 407)	:MARKer:Y1Position? (see page 407)	<position> ::= Y1 cursor position value in NR3 format [suffix] ::= {V   mV   dB} <return_value> ::= Y1 cursor position value in NR3 format
:MARKer:Y2Position <position>[suffix] (see page 409)	:MARKer:Y2Position? (see page 409)	<position> ::= Y2 cursor position value in NR3 format [suffix] ::= {V   mV   dB} <return_value> ::= Y2 cursor position value in NR3 format
n/a	:MARKer:YDELta? (see page 411)	<return_value> ::= Y cursors delta value in NR3 format

**Table 16** :MARKer Commands Summary (continued)

Command	Query	Options and Query Returns
:MARKer:YUNits <mode> (see <a href="#">page 412</a> )	:MARKer:YUNits? (see <a href="#">page 412</a> )	<units> ::= {BASE   PERCent}
:MARKer:YUNits:USE (see <a href="#">page 413</a> )	n/a	n/a

**Table 17** :MEASure Commands Summary

Command	Query	Options and Query Returns
:MEASure:ALL (see <a href="#">page 430</a> )	n/a	n/a
:MEASure:AREa [<interval>] [,] [<source>] (see <a href="#">page 431</a> )	:MEASure:AREa? [<interval>] [,] [<source>] (see <a href="#">page 431</a> )	<interval> ::= {CYCLE   DISPlay} <source> ::= {CHANnel<n>   FUNctIon   MATH   WMEMory<r>} <n> ::= 1 to (# analog channels) in NR1 format <r> ::= 1-2 in NR1 format <return_value> ::= area in volt-seconds, NR3 format
:MEASure:BRATe [<source>] (see <a href="#">page 432</a> )	:MEASure:BRATe? [<source>] (see <a href="#">page 432</a> )	<source> ::= {<digital channels>   CHANnel<n>   FUNctIon   MATH   WMEMory<r>} <digital channels> ::= DIGital<d> for the MSO models <d> ::= 0 to (# digital channels - 1) in NR1 format <n> ::= 1 to (# of analog channels) in NR1 format <r> ::= 1 to (# ref waveforms) in NR1 format <return_value> ::= bit rate in Hz, NR3 format
:MEASure:BWIDth [<source>] (see <a href="#">page 433</a> )	:MEASure:BWIDth? [<source>] (see <a href="#">page 433</a> )	<source> ::= {CHANnel<n>   FUNctIon   MATH   WMEMory<r>} <n> ::= 1 to (# analog channels) in NR1 format <r> ::= 1-2 in NR1 format <return_value> ::= burst width in seconds, NR3 format

**Table 17** :MEASure Commands Summary (continued)

Command	Query	Options and Query Returns
:MEASure:CLEAr (see <a href="#">page 434</a> )	n/a	n/a
:MEASure:COUNter [<source>] (see <a href="#">page 435</a> )	:MEASure:COUNter? [<source>] (see <a href="#">page 435</a> )	<source> ::= {CHANnel<n>   EXTErnal} for DSO models <source> ::= {CHANnel<n>   DIGital<d>   EXTErnal} for MSO models <n> ::= 1 to (# analog channels) in NR1 format <d> ::= 0 to (# digital channels - 1) in NR1 format <return_value> ::= counter frequency in Hertz in NR3 format
:MEASure:DEFine DELay, <delay spec>[, <source>] (see <a href="#">page 436</a> )	:MEASure:DEFine? DELay[, <source>] (see <a href="#">page 437</a> )	<delay spec> ::= <edge_spec1>, <edge_spec2> edge_spec1 ::= [<slope>]<occurrence> edge_spec2 ::= [<slope>]<occurrence> <slope> ::= {+   -} <occurrence> ::= integer <source> ::= {CHANnel<n>   FUNction   MATH   WMEMory<r>}
:MEASure:DEFine THResholds, <threshold spec>[, <source>] (see <a href="#">page 436</a> )	:MEASure:DEFine? THResholds[, <source>] (see <a href="#">page 437</a> )	<threshold spec> ::= {STANdard}   {<threshold mode>, <upper>, <middle>, <lower>} <threshold mode> ::= {PERCent   ABSolute} <source> ::= {CHANnel<n>   FUNction   MATH   WMEMory<r>}
:MEASure:DELay [<source1>] [, <source2>] (see <a href="#">page 439</a> )	:MEASure:DELay? [<source1>] [, <source2>] (see <a href="#">page 439</a> )	<source1,2> ::= {CHANnel<n>   FUNction   MATH   WMEMory<r>} <n> ::= 1 to (# analog channels) in NR1 format <r> ::= 1-2 in NR1 format <return_value> ::= floating-point number delay time in seconds in NR3 format

**Table 17 :MEASure Commands Summary (continued)**

Command	Query	Options and Query Returns
:MEASure:DUAL:CHARge [<interval> [,<source1>][,<source 2>] (see <a href="#">page 441</a> )	:MEASure:DUAL:CHARge? [<interval> [,<source1>][,<source 2>] (see <a href="#">page 441</a> )	<interval> ::= {CYCLE   DISPLAY} <source1>,<source2> ::= CHANnel<n> with N2820A probe connected  <n> ::= 1 to (# analog channels) in NR1 format  <return_value> ::= area in Amp-hours, NR3 format
:MEASure:DUAL:VAMPlit ude [<source1>][,<source2 >] (see <a href="#">page 442</a> )	:MEASure:DUAL:VAMPlit ude? [<source1>][,<source2 >] (see <a href="#">page 442</a> )	<source1>,<source2> ::= CHANnel<n> with N2820A probe connected  <n> ::= 1 to (# analog channels) in NR1 format  <return_value> ::= the amplitude of the selected waveform in volts in NR3 format
:MEASure:DUAL:VAVerag e [ <interval> [,<source1>][,<source 2>] (see <a href="#">page 443</a> )	:MEASure:DUAL:VAVerag e? [ <interval> [,<source1>][,<source 2>] (see <a href="#">page 443</a> )	<interval> ::= {CYCLE   DISPLAY} <source1>,<source2> ::= CHANnel<n> with N2820A probe connected  <n> ::= 1 to (# analog channels) in NR1 format  <return_value> ::= calculated average voltage in NR3 format
:MEASure:DUAL:VBASe [<source1>][,<source2 >] (see <a href="#">page 444</a> )	:MEASure:DUAL:VBASe? [<source1>][,<source2 >] (see <a href="#">page 444</a> )	<source1>,<source2> ::= CHANnel<n> with N2820A probe connected  <n> ::= 1 to (# analog channels) in NR1 format  <base_voltage> ::= voltage at the base of the selected waveform in NR3 format
:MEASure:DUAL:VPP [<source1>][,<source2 >] (see <a href="#">page 445</a> )	:MEASure:DUAL:VPP? [<source1>][,<source2 >] (see <a href="#">page 445</a> )	<source1>,<source2> ::= CHANnel<n> with N2820A probe connected  <n> ::= 1 to (# analog channels) in NR1 format  <return_value> ::= voltage peak-to-peak of the selected waveform in NR3 format

**Table 17** :MEASure Commands Summary (continued)

Command	Query	Options and Query Returns
:MEASure:DUAL:VRMS [<interval> [,<type>] [,<source1>][,<source 2>] (see <a href="#">page 446</a> )	:MEASure:DUAL:VRMS? [<interval> [,<type>] [,<source1>][,<source 2>] (see <a href="#">page 446</a> )	<interval> ::= {CYCLe   DISPlay} <type> ::= {AC   DC} <source1>,<source2> ::= CHANnel<n> with N2820A probe connected <n> ::= 1 to (# analog channels) in NR1 format <return_value> ::= calculated RMS voltage in NR3 format
:MEASure:DUTYcycle [<source>] (see <a href="#">page 447</a> )	:MEASure:DUTYcycle? [<source>] (see <a href="#">page 447</a> )	<source> ::= {CHANnel<n>   FUNctIon   MATH   WMEMory<r>} for DSO models <source> ::= {CHANnel<n>   DIGital<d>   FUNctIon   MATH   WMEMory<r>} for MSO models <n> ::= 1 to (# analog channels) in NR1 format <r> ::= 1-2 in NR1 format <d> ::= 0 to (# digital channels - 1) in NR1 format <return_value> ::= ratio of positive pulse width to period in NR3 format
:MEASure:FALLtime [<source>] (see <a href="#">page 448</a> )	:MEASure:FALLtime? [<source>] (see <a href="#">page 448</a> )	<source> ::= {CHANnel<n>   FUNctIon   MATH   WMEMory<r>} for DSO models <source> ::= {CHANnel<n>   DIGital<d>   FUNctIon   MATH   WMEMory<r>} for MSO models <n> ::= 1 to (# analog channels) in NR1 format <r> ::= 1-2 in NR1 format <d> ::= 0 to (# digital channels - 1) in NR1 format <return_value> ::= time in seconds between the lower and upper thresholds in NR3 format



**Table 17** :MEASure Commands Summary (continued)

Command	Query	Options and Query Returns
:MEASure:FREQuency [<source>] (see page 449)	:MEASure:FREQuency? [<source>] (see page 449)	<source> ::= {CHANnel<n>   FUNction   MATH   WMEMory<r>} for DSO models  <source> ::= {CHANnel<n>   DIGital<d>   FUNction   MATH   WMEMory<r>} for MSO models  <n> ::= 1 to (# analog channels) in NR1 format  <r> ::= 1-2 in NR1 format  <d> ::= 0 to (# digital channels - 1) in NR1 format  <return_value> ::= frequency in Hertz in NR3 format
:MEASure:NDUTy [<source>] (see page 450)	:MEASure:NDUTy? [<source>] (see page 450)	<source> ::= {CHANnel<n>   FUNction   MATH   WMEMory<r>} for DSO models  <source> ::= {CHANnel<n>   DIGital<d>   FUNction   MATH   WMEMory<r>} for MSO models  <n> ::= 1 to (# analog channels) in NR1 format  <r> ::= 1 to (# ref waveforms) in NR1 format  <d> ::= 0 to (# digital channels - 1) in NR1 format  <return_value> ::= ratio of negative pulse width to period in NR3 format
:MEASure:NEDGes [<source>] (see page 451)	:MEASure:NEDGes? [<source>] (see page 451)	<source> ::= {CHANnel<n>   FUNction   MATH   WMEMory<r>}  <n> ::= 1 to (# analog channels) in NR1 format  <r> ::= 1-2 in NR1 format  <return_value> ::= the falling edge count in NR3 format

**Table 17** :MEASure Commands Summary (continued)

Command	Query	Options and Query Returns
:MEASure:NPULses [<source>] (see page 452)	:MEASure:NPULses? [<source>] (see page 452)	<source> ::= {CHANnel<n>   FUNctIon   MATH   WMEMory<r>} <n> ::= 1 to (# analog channels) in NR1 format <r> ::= 1-2 in NR1 format <return_value> ::= the falling pulse count in NR3 format
:MEASure:NWIDth [<source>] (see page 453)	:MEASure:NWIDth? [<source>] (see page 453)	<source> ::= {CHANnel<n>   FUNctIon   MATH   WMEMory<r>} for DSO models <source> ::= {CHANnel<n>   DIGital<d>   FUNctIon   MATH   WMEMory<r>} for MSO models <n> ::= 1 to (# analog channels) in NR1 format <r> ::= 1-2 in NR1 format <d> ::= 0 to (# digital channels - 1) in NR1 format <return_value> ::= negative pulse width in seconds-NR3 format
:MEASure:OVERshoot [<source>] (see page 454)	:MEASure:OVERshoot? [<source>] (see page 454)	<source> ::= {CHANnel<n>   FUNctIon   MATH   WMEMory<r>} <n> ::= 1 to (# analog channels) in NR1 format <r> ::= 1-2 in NR1 format <return_value> ::= the percent of the overshoot of the selected waveform in NR3 format
:MEASure:PEDGes [<source>] (see page 456)	:MEASure:PEDGes? [<source>] (see page 456)	<source> ::= {CHANnel<n>   FUNctIon   MATH   WMEMory<r>} <n> ::= 1 to (# analog channels) in NR1 format <r> ::= 1-2 in NR1 format <return_value> ::= the rising edge count in NR3 format

**Table 17** :MEASure Commands Summary (continued)

Command	Query	Options and Query Returns
:MEASure:PERiod [<source>] (see page 457)	:MEASure:PERiod? [<source>] (see page 457)	<source> ::= {CHANnel<n>   FUNctIon   MATH   WMEMory<r>} for DSO models  <source> ::= {CHANnel<n>   DIGital<d>   FUNctIon   MATH   WMEMory<r>} for MSO models  <n> ::= 1 to (# analog channels) in NR1 format  <r> ::= 1-2 in NR1 format  <d> ::= 0 to (# digital channels - 1) in NR1 format  <return_value> ::= waveform period in seconds in NR3 format
:MEASure:PHASe [<source1>] [,<source2>] (see page 458)	:MEASure:PHASe? [<source1>] [,<source2>] (see page 458)	<source1,2> ::= {CHANnel<n>   FUNctIon   MATH   WMEMory<r>}  <n> ::= 1 to (# analog channels) in NR1 format  <r> ::= 1-2 in NR1 format  <return_value> ::= the phase angle value in degrees in NR3 format
:MEASure:PPULses [<source>] (see page 459)	:MEASure:PPULses? [<source>] (see page 459)	<source> ::= {CHANnel<n>   FUNctIon   MATH   WMEMory<r>}  <n> ::= 1 to (# analog channels) in NR1 format  <r> ::= 1-2 in NR1 format  <return_value> ::= the rising pulse count in NR3 format
:MEASure:PREShoot [<source>] (see page 460)	:MEASure:PREShoot? [<source>] (see page 460)	<source> ::= {CHANnel<n>   FUNctIon   MATH   WMEMory<r>}  <n> ::= 1 to (# analog channels) in NR1 format  <r> ::= 1-2 in NR1 format  <return_value> ::= the percent of preshoot of the selected waveform in NR3 format

**Table 17** :MEASure Commands Summary (continued)

Command	Query	Options and Query Returns
:MEASure:PWIDth [<source>] (see page 461)	:MEASure:PWIDth? [<source>] (see page 461)	<source> ::= {CHANnel<n>   FUNction   MATH   WMEMory<r>} for DSO models  <source> ::= {CHANnel<n>   DIGital<d>   FUNction   MATH   WMEMory<r>} for MSO models  <n> ::= 1 to (# analog channels) in NR1 format  <r> ::= 1-2 in NR1 format  <d> ::= 0 to (# digital channels - 1) in NR1 format  <return_value> ::= width of positive pulse in seconds in NR3 format
n/a	:MEASure:RESults? <result_list> (see page 462)	<result_list> ::= comma-separated list of measurement results
:MEASure:RISetime [<source>] (see page 465)	:MEASure:RISetime? [<source>] (see page 465)	<source> ::= {CHANnel<n>   FUNction   MATH   WMEMory<r>}  <n> ::= 1 to (# analog channels) in NR1 format  <r> ::= 1-2 in NR1 format  <return_value> ::= rise time in seconds in NR3 format
:MEASure:SDEviation [<source>] (see page 466)	:MEASure:SDEviation? [<source>] (see page 466)	<source> ::= {CHANnel<n>   FUNction   MATH   WMEMory<r>}  <n> ::= 1 to (# analog channels) in NR1 format  <r> ::= 1-2 in NR1 format  <return_value> ::= calculated std deviation in NR3 format
:MEASure:SHOW {1   ON} (see page 467)	:MEASure:SHOW? (see page 467)	{1}

**Table 17** :MEASure Commands Summary (continued)

Command	Query	Options and Query Returns
:MEASure:SOURce <source1> [,<source2>] (see page 468)	:MEASure:SOURce? (see page 468)	<source1,2> ::= {CHANnel<n>   FUNctIon   MATH   WMEMory<r>   EXTernal} for DSO models  <source1,2> ::= {CHANnel<n>   DIGital<d>   FUNctIon   MATH   WMEMory<r>   EXTernal} for MSO models  <n> ::= 1 to (# analog channels) in NR1 format  <r> ::= 1-2 in NR1 format  <d> ::= 0 to (# digital channels - 1) in NR1 format  <return_value> ::= {<source>   NONE}
:MEASure:STATistics <type> (see page 470)	:MEASure:STATistics? (see page 470)	<type> ::= {{ON   1}   CURrent   MEAN   MINimum   MAXimum   STDDev   COUNT}  ON ::= all statistics returned
:MEASure:STATistics:D ISPlay {{0   OFF}   {1   ON}} (see page 471)	:MEASure:STATistics:D ISPlay? (see page 471)	{0   1}
:MEASure:STATistics:I NCRement (see page 472)	n/a	n/a
:MEASure:STATistics:M COunt <setting> (see page 473)	:MEASure:STATistics:M COunt? (see page 473)	<setting> ::= {INFinite   <count>}  <count> ::= 2 to 2000 in NR1 format
:MEASure:STATistics:R ESet (see page 474)	n/a	n/a
:MEASure:STATistics:R SDeviation {{0   OFF}   {1   ON}} (see page 475)	:MEASure:STATistics:R SDeviation? (see page 475)	{0   1}

**Table 17** :MEASure Commands Summary (continued)

Command	Query	Options and Query Returns
n/a	:MEASure:TEDGE? <slope><occurrence>[, <source>] (see page 476)	<p>&lt;slope&gt; ::= direction of the waveform</p> <p>&lt;occurrence&gt; ::= the transition to be reported</p> <p>&lt;source&gt; ::= {CHANnel&lt;n&gt;   FUNCTION   MATH   WMEMory&lt;r&gt;} for DSO models</p> <p>&lt;source&gt; ::= {CHANnel&lt;n&gt;   DIGital&lt;d&gt;   FUNCTION   MATH   WMEMory&lt;r&gt;} for MSO models</p> <p>&lt;n&gt; ::= 1 to (# analog channels) in NR1 format</p> <p>&lt;r&gt; ::= 1-2 in NR1 format</p> <p>&lt;d&gt; ::= 0 to (# digital channels - 1) in NR1 format</p> <p>&lt;return_value&gt; ::= time in seconds of the specified transition</p>
n/a	:MEASure:TVALue? <value>, [<slope>]<occurrence> [,<source>] (see page 478)	<p>&lt;value&gt; ::= voltage level that the waveform must cross.</p> <p>&lt;slope&gt; ::= direction of the waveform when &lt;value&gt; is crossed.</p> <p>&lt;occurrence&gt; ::= transitions reported.</p> <p>&lt;source&gt; ::= {CHANnel&lt;n&gt;   FUNCTION   MATH   WMEMory&lt;r&gt;} for DSO models</p> <p>&lt;source&gt; ::= {CHANnel&lt;n&gt;   DIGital&lt;d&gt;   FUNCTION   MATH   WMEMory&lt;r&gt;} for MSO models</p> <p>&lt;n&gt; ::= 1 to (# analog channels) in NR1 format</p> <p>&lt;r&gt; ::= 1-2 in NR1 format</p> <p>&lt;d&gt; ::= 0 to (# digital channels - 1) in NR1 format</p> <p>&lt;return_value&gt; ::= time in seconds of specified voltage crossing in NR3 format</p>

**Table 17 :MEASure Commands Summary (continued)**

Command	Query	Options and Query Returns
:MEASure:VAMplitude [<source>] (see page 480)	:MEASure:VAMplitude? [<source>] (see page 480)	<source> ::= {CHANnel<n>   FUNction   MATH   WMEMory<r>} <n> ::= 1 to (# analog channels) in NR1 format <r> ::= 1-2 in NR1 format <return_value> ::= the amplitude of the selected waveform in volts in NR3 format
:MEASure:VAverage [<interval>][,][<source>] (see page 481)	:MEASure:VAverage? [<interval>][,][<source>] (see page 481)	<interval> ::= {CYCLE   DISPLAY} <source> ::= {CHANnel<n>   FUNction   MATH   WMEMory<r>} <n> ::= 1 to (# analog channels) in NR1 format <r> ::= 1-2 in NR1 format <return_value> ::= calculated average voltage in NR3 format
:MEASure:VBASe [<source>] (see page 482)	:MEASure:VBASe? [<source>] (see page 482)	<source> ::= {CHANnel<n>   FUNction   MATH   WMEMory<r>} <n> ::= 1 to (# analog channels) in NR1 format <r> ::= 1-2 in NR1 format <base_voltage> ::= voltage at the base of the selected waveform in NR3 format
:MEASure:VMAX [<source>] (see page 483)	:MEASure:VMAX? [<source>] (see page 483)	<source> ::= {CHANnel<n>   FUNction   MATH   WMEMory<r>} <n> ::= 1 to (# analog channels) in NR1 format <r> ::= 1-2 in NR1 format <return_value> ::= maximum voltage of the selected waveform in NR3 format
:MEASure:VMIN [<source>] (see page 484)	:MEASure:VMIN? [<source>] (see page 484)	<source> ::= {CHANnel<n>   FUNction   MATH   WMEMory<r>} <n> ::= 1 to (# analog channels) in NR1 format <r> ::= 1-2 in NR1 format <return_value> ::= minimum voltage of the selected waveform in NR3 format

**Table 17** :MEASure Commands Summary (continued)

Command	Query	Options and Query Returns
:MEASure:VPP [<source>] (see page 485)	:MEASure:VPP? [<source>] (see page 485)	<source> ::= {CHANnel<n>   FUNction   MATH   WMEMory<r>} <n> ::= 1 to (# analog channels) in NR1 format <r> ::= 1-2 in NR1 format <return_value> ::= voltage peak-to-peak of the selected waveform in NR3 format
:MEASure:VRATio [<interval>] [,] [<sour cel1>] [, <source2>] (see page 486)	:MEASure:VRATio? [<interval>] [,] [<sour cel1>] [, <source2>] (see page 486)	<interval> ::= {CYCLe   DISPlay} <source1,2> ::= {CHANnel<n>   FUNction   MATH   WMEMory<r>} <n> ::= 1 to (# analog channels) in NR1 format <r> ::= 1-2 in NR1 format <return_value> ::= the ratio value in dB in NR3 format
:MEASure:VRMS [<interval>] [,] [<type>] [,] [<source>] (see page 487)	:MEASure:VRMS? [<interval>] [,] [<type>] [,] [<source>] (see page 487)	<interval> ::= {CYCLe   DISPlay} <type> ::= {AC   DC} <source> ::= {CHANnel<n>   FUNction   MATH   WMEMory<r>} <n> ::= 1 to (# analog channels) in NR1 format <r> ::= 1-2 in NR1 format <return_value> ::= calculated dc RMS voltage in NR3 format
n/a	:MEASure:VTime? <vtime> [, <source>] (see page 488)	<vtime> ::= displayed time from trigger in seconds in NR3 format <source> ::= {CHANnel<n>   FUNction   MATH   WMEMory<r>} for DSO models <source> ::= {CHANnel<n>   DIGital<d>   FUNction   MATH   WMEMory<r>} for MSO models <n> ::= 1 to (# analog channels) in NR1 format <r> ::= 1-2 in NR1 format <d> ::= 0 to (# digital channels - 1) in NR1 format <return_value> ::= voltage at the specified time in NR3 format



**Table 17** :MEASure Commands Summary (continued)

Command	Query	Options and Query Returns
:MEASure:VTOP [<source>] (see page 489)	:MEASure:VTOP? [<source>] (see page 489)	<source> ::= {CHANnel<n>   FUNctIon   MATH   WMEMory<r>} <n> ::= 1 to (# analog channels) in NR1 format <r> ::= 1-2 in NR1 format <return_value> ::= voltage at the top of the waveform in NR3 format
:MEASure:WINDow <type> (see page 490)	:MEASure:WINDow? (see page 490)	<type> ::= {MAIN   ZOOM   AUTO}
:MEASure:XMAX [<source>] (see page 491)	:MEASure:XMAX? [<source>] (see page 491)	<source> ::= {CHANnel<n>   FUNctIon   MATH   WMEMory<r>} <n> ::= 1 to (# analog channels) in NR1 format <r> ::= 1-2 in NR1 format <return_value> ::= horizontal value of the maximum in NR3 format
:MEASure:XMIN [<source>] (see page 492)	:MEASure:XMIN? [<source>] (see page 492)	<source> ::= {CHANnel<n>   FUNctIon   MATH   WMEMory<r>} <n> ::= 1 to (# analog channels) in NR1 format <r> ::= 1-2 in NR1 format <return_value> ::= horizontal value of the maximum in NR3 format

**Table 18** :MEASure Power Commands Summary

Command	Query	Options and Query Returns
:MEASure:ANGLE [<source1>] [, <source2 >] (see <a href="#">page 496</a> )	:MEASure:ANGLE? [<source1>] [, <source2 >] (see <a href="#">page 496</a> )	<source1>, <source2> ::= {CHANnel<n>}  <n> ::= 1 to (# analog channels) in NR1 format  <return_value> ::= the power phase angle in degrees in NR3 format
:MEASure:APParent [<source1>] [, <source2 >] (see <a href="#">page 497</a> )	:MEASure:APParent? [<source1>] [, <source2 >] (see <a href="#">page 497</a> )	<source1>, <source2> ::= {CHANnel<n>}  <n> ::= 1 to (# analog channels) in NR1 format  <return_value> ::= the apparent power value in NR3 format
:MEASure:CPLoss [<source1>] [, <source2 >] (see <a href="#">page 498</a> )	:MEASure:CPLoss? [<source1>] [, <source2 >] (see <a href="#">page 498</a> )	<source1>, <source2>  <source1> ::= {FUNCTION   MATH} <source2> ::= {CHANnel<n>}  <n> ::= 1 to (# analog channels) in NR1 format  <return_value> ::= the switching loss per cycle watts value in NR3 format
:MEASure:CRESt [<source>] (see <a href="#">page 499</a> )	:MEASure:CRESt? [<source>] (see <a href="#">page 499</a> )	<source> ::= {CHANnel<n>  FUNCTION   MATH}  <n> ::= 1 to (# analog channels) in NR1 format  <return_value> ::= the crest factor value in NR3 format
:MEASure:EFFiciency (see <a href="#">page 500</a> )	:MEASure:EFFiciency? (see <a href="#">page 500</a> )	<return_value> ::= percent value in NR3 format
:MEASure:ELOSSs [<source>] (see <a href="#">page 501</a> )	:MEASure:ELOSSs? [<source>] (see <a href="#">page 501</a> )	<source> ::= {CHANnel<n>  FUNCTION   MATH   WMemory<r>}  <n> ::= 1 to (# analog channels) in NR1 format  <r> ::= 1-2 in NR1 format  <return_value> ::= the energy loss value in NR3 format

**Table 18 :MEASure Power Commands Summary (continued)**

Command	Query	Options and Query Returns
:MEASure:FACTOR [<source1>] [, <source2>] >] (see <a href="#">page 502</a> )	:MEASure:FACTOR? [<source1>] [, <source2>] >] (see <a href="#">page 502</a> )	<source1>, <source2> ::= {CHANNEL<n>}  <n> ::= 1 to (# analog channels) in NR1 format  <return_value> ::= the power factor value in NR3 format
:MEASure:IPower (see <a href="#">page 503</a> )	:MEASure:IPower? (see <a href="#">page 503</a> )	<return_value> ::= the input power value in NR3 format
:MEASure:OFFTime [<source1>] [, <source2>] >] (see <a href="#">page 504</a> )	:MEASure:OFFTime? [<source1>] [, <source2>] >] (see <a href="#">page 504</a> )	<source1>, <source2> ::= {CHANNEL<n>}  <n> ::= 1 to (# analog channels) in NR1 format  <return_value> ::= the time in seconds in NR3 format
:MEASure:ONTime [<source1>] [, <source2>] >] (see <a href="#">page 505</a> )	:MEASure:ONTime? [<source1>] [, <source2>] >] (see <a href="#">page 505</a> )	<source1>, <source2> ::= {CHANNEL<n>}  <n> ::= 1 to (# analog channels) in NR1 format  <return_value> ::= the time in seconds in NR3 format
:MEASure:OPower (see <a href="#">page 506</a> )	:MEASure:OPower? (see <a href="#">page 506</a> )	<return_value> ::= the output power value in NR3 format
:MEASure:PCurrent [<source>] (see <a href="#">page 507</a> )	:MEASure:PCurrent? [<source>] (see <a href="#">page 507</a> )	<source> ::= {CHANNEL<n>   FUNCTION   MATH   WMemory<r>}  <n> ::= 1 to (# analog channels) in NR1 format  <r> ::= 1-2 in NR1 format  <return_value> ::= the peak current value in NR3 format
:MEASure:PLOSS [<source>] (see <a href="#">page 508</a> )	:MEASure:PLOSS? [<source>] (see <a href="#">page 508</a> )	<source> ::= {CHANNEL<n>   FUNCTION   MATH   WMemory<r>}  <n> ::= 1 to (# analog channels) in NR1 format  <r> ::= 1-2 in NR1 format  <return_value> ::= the power loss value in NR3 format

**Table 18** :MEASure Power Commands Summary (continued)

Command	Query	Options and Query Returns
:MEASure:REACTive [<source1>] [, <source2>] (see <a href="#">page 509</a> )	:MEASure:REACTive? [<source1>] [, <source2>] (see <a href="#">page 509</a> )	<source1>, <source2> ::= {CHANnel<n>}  <n> ::= 1 to (# analog channels) in NR1 format  <return_value> ::= the reactive power value in NR3 format
:MEASure:REAL [<source>] (see <a href="#">page 510</a> )	:MEASure:REAL? [<source>] (see <a href="#">page 510</a> )	<source> ::= {CHANnel<n>   FUNCTION   MATH}  <n> ::= 1 to (# analog channels) in NR1 format  <return_value> ::= the real power value in NR3 format
:MEASure:RIPPlE [<source>] (see <a href="#">page 511</a> )	:MEASure:RIPPlE? [<source>] (see <a href="#">page 511</a> )	<source> ::= {CHANnel<n>   FUNCTION   MATH   WMemory<r>}  <n> ::= 1 to (# analog channels) in NR1 format  <r> ::= 1-2 in NR1 format  <return_value> ::= the output ripple value in NR3 format
:MEASure:TRESponse [<source>] (see <a href="#">page 512</a> )	:MEASure:TRESponse? [<source>] (see <a href="#">page 512</a> )	<source> ::= {CHANnel<n>   FUNCTION   MATH   WMemory<r>}  <n> ::= 1 to (# analog channels) in NR1 format  <r> ::= 1-2 in NR1 format  <return_value> ::= time in seconds for the overshoot to settle back into the band in NR3 format

**Table 19** :MTESt Commands Summary

Command	Query	Options and Query Returns
:MTESt:ALL {{0   OFF}   {1   ON}} (see <a href="#">page 518</a> )	:MTESt:ALL? (see <a href="#">page 518</a> )	{0   1}
:MTESt:AMASk:CREate (see <a href="#">page 519</a> )	n/a	n/a

**Table 19** :MTESt Commands Summary (continued)

Command	Query	Options and Query Returns
:MTESt:AMASk:SOURce <source> (see page 520)	:MTESt:AMASk:SOURce? (see page 520)	<source> ::= CHANnel<n> <n> ::= {1   2   3   4} for 4ch models <n> ::= {1   2} for 2ch models
:MTESt:AMASk:UNITs <units> (see page 521)	:MTESt:AMASk:UNITs? (see page 521)	<units> ::= {CURRent   DIVisions}
:MTESt:AMASk:XDELta <value> (see page 522)	:MTESt:AMASk:XDELta? (see page 522)	<value> ::= X delta value in NR3 format
:MTESt:AMASk:YDELta <value> (see page 523)	:MTESt:AMASk:YDELta? (see page 523)	<value> ::= Y delta value in NR3 format
n/a	:MTESt:COUNT:FWAVEforms? [CHANnel<n>] (see page 524)	<failed> ::= number of failed waveforms in NR1 format
:MTESt:COUNT:RESet (see page 525)	n/a	n/a
n/a	:MTESt:COUNT:TIME? (see page 526)	<time> ::= elapsed seconds in NR3 format
n/a	:MTESt:COUNT:WAVEform s? (see page 527)	<count> ::= number of waveforms in NR1 format
:MTESt:DATA <mask> (see page 528)	:MTESt:DATA? (see page 528)	<mask> ::= data in IEEE 488.2 # format.
:MTESt:DELeTe (see page 529)	n/a	n/a
:MTESt:ENABle {{0   OFF}   {1   ON}} (see page 530)	:MTESt:ENABle? (see page 530)	{0   1}
:MTESt:LOCK {{0   OFF}   {1   ON}} (see page 531)	:MTESt:LOCK? (see page 531)	{0   1}
:MTESt:RMODE <rmode> (see page 532)	:MTESt:RMODE? (see page 532)	<rmode> ::= {FORever   TIME   SIGMa   WAVEforms}
:MTESt:RMODE:FACTION:MEASure {{0   OFF}   {1   ON}} (see page 533)	:MTESt:RMODE:FACTION:MEASure? (see page 533)	{0   1}
:MTESt:RMODE:FACTION:PRINT {{0   OFF}   {1   ON}} (see page 534)	:MTESt:RMODE:FACTION:PRINT? (see page 534)	{0   1}

**Table 19** :MTESt Commands Summary (continued)

Command	Query	Options and Query Returns
:MTESt:RMODe:FACTion:SAVE {{0   OFF}   {1   ON}} (see <a href="#">page 535</a> )	:MTESt:RMODe:FACTion:SAVE? (see <a href="#">page 535</a> )	{0   1}
:MTESt:RMODe:FACTion:STOP {{0   OFF}   {1   ON}} (see <a href="#">page 536</a> )	:MTESt:RMODe:FACTion:STOP? (see <a href="#">page 536</a> )	{0   1}
:MTESt:RMODe:SIGMa <level> (see <a href="#">page 537</a> )	:MTESt:RMODe:SIGMa? (see <a href="#">page 537</a> )	<level> ::= from 0.1 to 9.3 in NR3 format
:MTESt:RMODe:TIME <seconds> (see <a href="#">page 538</a> )	:MTESt:RMODe:TIME? (see <a href="#">page 538</a> )	<seconds> ::= from 1 to 86400 in NR3 format
:MTESt:RMODe:WAVeform s <count> (see <a href="#">page 539</a> )	:MTESt:RMODe:WAVeform s? (see <a href="#">page 539</a> )	<count> ::= number of waveforms in NR1 format
:MTESt:SCALe:BIND {{0   OFF}   {1   ON}} (see <a href="#">page 540</a> )	:MTESt:SCALe:BIND? (see <a href="#">page 540</a> )	{0   1}
:MTESt:SCALe:X1 <x1_value> (see <a href="#">page 541</a> )	:MTESt:SCALe:X1? (see <a href="#">page 541</a> )	<x1_value> ::= X1 value in NR3 format
:MTESt:SCALe:XDELta <xdelta_value> (see <a href="#">page 542</a> )	:MTESt:SCALe:XDELta? (see <a href="#">page 542</a> )	<xdelta_value> ::= X delta value in NR3 format
:MTESt:SCALe:Y1 <y1_value> (see <a href="#">page 543</a> )	:MTESt:SCALe:Y1? (see <a href="#">page 543</a> )	<y1_value> ::= Y1 value in NR3 format
:MTESt:SCALe:Y2 <y2_value> (see <a href="#">page 544</a> )	:MTESt:SCALe:Y2? (see <a href="#">page 544</a> )	<y2_value> ::= Y2 value in NR3 format
:MTESt:SOURce <source> (see <a href="#">page 545</a> )	:MTESt:SOURce? (see <a href="#">page 545</a> )	<source> ::= {CHANnel<n>   NONE} <n> ::= {1   2   3   4} for 4ch models <n> ::= {1   2} for 2ch models
n/a	:MTESt:TITLe? (see <a href="#">page 546</a> )	<title> ::= a string of up to 128 ASCII characters

**Table 20** :POD<n> Commands Summary

Command	Query	Options and Query Returns
:POD<n>:DISPlay {{0   OFF}   {1   ON}} (see <a href="#">page 549</a> )	:POD<n>:DISPlay? (see <a href="#">page 549</a> )	{0   1} <n> ::= 1-2 in NR1 format
:POD<n>:SIZE <value> (see <a href="#">page 550</a> )	:POD<n>:SIZE? (see <a href="#">page 550</a> )	<value> ::= {SMALl   MEDiUm   LARGe}
:POD<n>:THReshold <type>[suffix] (see <a href="#">page 551</a> )	:POD<n>:THReshold? (see <a href="#">page 551</a> )	<n> ::= 1-2 in NR1 format <type> ::= {CMOS   ECL   TTL   <user defined value>} <user defined value> ::= value in NR3 format [suffix] ::= {V   mV   uV }

**Table 21** :POWer Commands Summary

Command	Query	Options and Query Returns
:POWer:DESKew (see <a href="#">page 559</a> )	n/a	n/a
:POWer:EFFiciency:APP Ly (see <a href="#">page 560</a> )	n/a	n/a
:POWer:ENABLe {{0   OFF}   {1   ON}} (see <a href="#">page 561</a> )	:POWer:ENABLe? (see <a href="#">page 561</a> )	{0   1}
:POWer:HARMonics:APPL y (see <a href="#">page 562</a> )	n/a	n/a
n/a	:POWer:HARMonics:DATA ? (see <a href="#">page 563</a> )	<binary_block> ::= comma-separated data with newlines at the end of each row
:POWer:HARMonics:DISP lay <display> (see <a href="#">page 564</a> )	:POWer:HARMonics:DISP lay? (see <a href="#">page 564</a> )	<display> ::= {TABLe   BAR   OFF}
n/a	:POWer:HARMonics:FAIL count? (see <a href="#">page 565</a> )	<count> ::= integer in NR1 format
:POWer:HARMonics:LINE <frequency> (see <a href="#">page 566</a> )	:POWer:HARMonics:LINE ? (see <a href="#">page 566</a> )	<frequency> ::= {F50   F60   F400}
n/a	:POWer:HARMonics:POWerfactor? (see <a href="#">page 567</a> )	<value> ::= Class C power factor in NR3 format

**Table 21** :POWer Commands Summary (continued)

Command	Query	Options and Query Returns
n/a	:POWer:HARMonics:RUNC ount? (see <a href="#">page 568</a> )	<count> ::= integer in NR1 format
:POWer:HARMonics:STAN dard <class> (see <a href="#">page 569</a> )	:POWer:HARMonics:STAN dard? (see <a href="#">page 569</a> )	<class> ::= {A   B   C   D}
n/a	:POWer:HARMonics:STAT us? (see <a href="#">page 570</a> )	<status> ::= {PASS   FAIL   UNTested}
n/a	:POWer:HARMonics:THD? (see <a href="#">page 571</a> )	<value> ::= Total Harmonics Distortion in NR3 format
:POWer:INRush:APPLy (see <a href="#">page 572</a> )	n/a	n/a
:POWer:INRush:EXIT (see <a href="#">page 573</a> )	n/a	n/a
:POWer:INRush:NEXT (see <a href="#">page 574</a> )	n/a	n/a
:POWer:MODulation:APP Ly (see <a href="#">page 575</a> )	n/a	n/a
:POWer:MODulation:SOU Rce <source> (see <a href="#">page 576</a> )	:POWer:MODulation:SOU Rce? (see <a href="#">page 576</a> )	<source> ::= {V   I}
:POWer:MODulation:TYP E <modulation> (see <a href="#">page 577</a> )	:POWer:MODulation:TYP E? (see <a href="#">page 577</a> )	<modulation> ::= {VAverage   ACRMs   VRATio   PERiod   FREQuency   PWIDith   NWIDth   DUTYcycle   RISetime   FALLtime}
:POWer:ONOFF:APPLy (see <a href="#">page 578</a> )	n/a	n/a
:POWer:ONOFF:EXIT (see <a href="#">page 579</a> )	n/a	n/a
:POWer:ONOFF:NEXT (see <a href="#">page 580</a> )	n/a	n/a
:POWer:ONOFF:TEST {{0   OFF}   {1   ON}} (see <a href="#">page 581</a> )	:POWer:ONOFF:TEST? (see <a href="#">page 581</a> )	{0   1}
:POWer:PSRR:APPLy (see <a href="#">page 582</a> )	n/a	n/a
:POWer:PSRR:FREQuency :MAXimum <value>[suffix] (see <a href="#">page 583</a> )	:POWer:PSRR:FREQuency :MAXimum? (see <a href="#">page 583</a> )	<value> ::= {10   100   1000   10000   100000   1000000   10000000   20000000} [suffix] ::= {Hz   kHz   MHz}



**Table 21 :POWER Commands Summary (continued)**

Command	Query	Options and Query Returns
:POWER:PSRR:FREQUENCY :MINimum <value>[suffix] (see page 584)	:POWER:PSRR:FREQUENCY :MINimum? (see page 584)	<value> ::= {1   10   100   1000   10000   100000   1000000   10000000} [suffix] ::= {Hz   kHz   MHz}
:POWER:PSRR:RMAXimum <value> (see page 585)	:POWER:PSRR:RMAXimum? (see page 585)	<value> ::= Maximum ratio value in NR1 format
:POWER:QUALity:APPLY (see page 586)	n/a	n/a
:POWER:QUALity:TYPE <quality> (see page 587)	:POWER:QUALity:TYPE? (see page 587)	<quality> ::= {FACTor   REAL   APParent   REACTive   CREST   ANGLE}
:POWER:RIPPLE:APPLY (see page 588)	n/a	n/a
:POWER:SIGNALs:AUTOset tup <analysis> (see page 589)	n/a	<analysis> ::= {HARMONics   EFFiciency   RIPPLE   MODulation   QUALity   SLEW   SWITCh}
:POWER:SIGNALs:CYCLES :HARMONics <count> (see page 590)	:POWER:SIGNALs:CYCLES :HARMONics? (see page 590)	<count> ::= integer in NR1 format Legal values are 1 to 100.
:POWER:SIGNALs:CYCLES :QUALity <count> (see page 591)	:POWER:SIGNALs:CYCLES :QUALity? (see page 591)	<count> ::= integer in NR1 format Legal values are 1 to 100.
:POWER:SIGNALs:DURati on:EFFiciency <value>[suffix] (see page 592)	:POWER:SIGNALs:DURati on:EFFiciency? (see page 592)	<value> ::= value in NR3 format [suffix] ::= {s   ms   us   ns}
:POWER:SIGNALs:DURati on:MODulation <value>[suffix] (see page 593)	:POWER:SIGNALs:DURati on:MODulation? (see page 593)	<value> ::= value in NR3 format [suffix] ::= {s   ms   us   ns}
:POWER:SIGNALs:DURati on:ONOFF:OFF <value>[suffix] (see page 594)	:POWER:SIGNALs:DURati on:ONOFF:OFF? (see page 594)	<value> ::= value in NR3 format [suffix] ::= {s   ms   us   ns}
:POWER:SIGNALs:DURati on:ONOFF:ON <value>[suffix] (see page 595)	:POWER:SIGNALs:DURati on:ONOFF:ON? (see page 595)	<value> ::= value in NR3 format [suffix] ::= {s   ms   us   ns}

**Table 21** :POWer Commands Summary (continued)

Command	Query	Options and Query Returns
:POWer:SIGNals:DURati on:RIPPlE <value>[suffix] (see page 596)	:POWer:SIGNals:DURati on:RIPPlE? (see page 596)	<value> ::= value in NR3 format [suffix] ::= {s   ms   us   ns}
:POWer:SIGNals:DURati on:TRANSient <value>[suffix] (see page 597)	:POWer:SIGNals:DURati on:TRANSient? (see page 597)	<value> ::= value in NR3 format [suffix] ::= {s   ms   us   ns}
:POWer:SIGNals:IEXPeC ted <value>[suffix] (see page 598)	:POWer:SIGNals:IEXPeC ted? (see page 598)	<value> ::= Expected current value in NR3 format [suffix] ::= {A   mA}
:POWer:SIGNals:OVERsh oot <percent> (see page 599)	:POWer:SIGNals:OVERsh oot? (see page 599)	<percent> ::= percent of overshoot value in NR1 format [suffix] ::= {V   mV}
:POWer:SIGNals:VMAXim um:INRush <value>[suffix] (see page 600)	:POWer:SIGNals:VMAXim um:INRush? (see page 600)	<value> ::= Maximum expected input Voltage in NR3 format [suffix] ::= {V   mV}
:POWer:SIGNals:VMAXim um:ONOFF:OFF <value>[suffix] (see page 601)	:POWer:SIGNals:VMAXim um:ONOFF:OFF? (see page 601)	<value> ::= Maximum expected input Voltage in NR3 format [suffix] ::= {V   mV}
:POWer:SIGNals:VMAXim um:ONOFF:ON <value>[suffix] (see page 602)	:POWer:SIGNals:VMAXim um:ONOFF:ON? (see page 602)	<value> ::= Maximum expected input Voltage in NR3 format [suffix] ::= {V   mV}
:POWer:SIGNals:VSTead y:ONOFF:OFF <value>[suffix] (see page 603)	:POWer:SIGNals:VSTead y:ONOFF:OFF? (see page 603)	<value> ::= Expected steady stage output Voltage value in NR3 format [suffix] ::= {V   mV}
:POWer:SIGNals:VSTead y:ONOFF:ON <value>[suffix] (see page 604)	:POWer:SIGNals:VSTead y:ONOFF:ON? (see page 604)	<value> ::= Expected steady stage output Voltage value in NR3 format [suffix] ::= {V   mV}
:POWer:SIGNals:VSTead y:TRANSient <value>[suffix] (see page 605)	:POWer:SIGNals:VSTead y:TRANSient? (see page 605)	<value> ::= Expected steady stage output Voltage value in NR3 format [suffix] ::= {V   mV}

**Table 21** :POWer Commands Summary (continued)

Command	Query	Options and Query Returns
:POWer:SIGNals:SOURce :CURRent<i> <source> (see <a href="#">page 606</a> )	:POWer:SIGNals:SOURce :CURRent<i>? (see <a href="#">page 606</a> )	<i> ::= 1, 2 in NR1 format <source> ::= CHANnel<n> <n> ::= 1 to (# analog channels) in NR1 format
:POWer:SIGNals:SOURce :VOLTag<i> <source> (see <a href="#">page 607</a> )	:POWer:SIGNals:SOURce :VOLTag<i>? (see <a href="#">page 607</a> )	<i> ::= 1, 2 in NR1 format <source> ::= CHANnel<n> <n> ::= 1 to (# analog channels) in NR1 format
:POWer:SLEW:APPLy (see <a href="#">page 608</a> )	n/a	n/a
:POWer:SLEW:SOURce <source> (see <a href="#">page 609</a> )	:POWer:SLEW:SOURce? (see <a href="#">page 609</a> )	<source> ::= {V   I}
:POWer:SWITCh:APPLy (see <a href="#">page 610</a> )	n/a	n/a
:POWer:SWITCh:CONduct ion <conduction> (see <a href="#">page 611</a> )	:POWer:SWITCh:CONduct ion? (see <a href="#">page 611</a> )	<conduction> ::= {WAVEform   RDS   VCE}
:POWer:SWITCh:IREFere nce <percent> (see <a href="#">page 612</a> )	:POWer:SWITCh:IREFere nce? (see <a href="#">page 612</a> )	<percent> ::= percent in NR1 format
:POWer:SWITCh:RDS <value>[suffix] (see <a href="#">page 613</a> )	:POWer:SWITCh:RDS? (see <a href="#">page 613</a> )	<value> ::= Rds(on) value in NR3 format [suffix] ::= {OHM   mOHM}
:POWer:SWITCh:VCE <value>[suffix] (see <a href="#">page 614</a> )	:POWer:SWITCh:VCE? (see <a href="#">page 614</a> )	<value> ::= Vce(sat) value in NR3 format [suffix] ::= {V   mV}
:POWer:SWITCh:VREFere nce <percent> (see <a href="#">page 615</a> )	:POWer:SWITCh:VREFere nce? (see <a href="#">page 615</a> )	<percent> ::= percent in NR1 format
:POWer:TRANSient:APPL y (see <a href="#">page 616</a> )	n/a	n/a
:POWer:TRANSient:EXIT (see <a href="#">page 617</a> )	n/a	n/a
:POWer:TRANSient:IINi tial <value>[suffix] (see <a href="#">page 618</a> )	:POWer:TRANSient:IINi tial? (see <a href="#">page 618</a> )	<value> ::= Initial current value in NR3 format [suffix] ::= {A   mA}

**Table 21** :POWer Commands Summary (continued)

Command	Query	Options and Query Returns
:POWer:TRANsient:INew <value>[suffix] (see page 619)	:POWer:TRANsient:INew ? (see page 619)	<value> ::= New current value in NR3 format  [suffix] ::= {A   mA}
:POWer:TRANsient:NEXt (see page 620)	n/a	n/a

**Table 22** :RECall Commands Summary

Command	Query	Options and Query Returns
:RECall:ARBitrary:[ST ARt] [<file_spec>][, <column>] (see page 623)	n/a	<file_spec> ::= {<internal_loc>   <file_name>}  <column> ::= Column in CSV file to load. Column number starts from 1.  <internal_loc> ::= 0-3; an integer in NR1 format  <file_name> ::= quoted ASCII string
:RECall:FIleName <base_name> (see page 624)	:RECall:FIleName? (see page 624)	<base_name> ::= quoted ASCII string
:RECall:MASk[:START] [<file_spec>] (see page 625)	n/a	<file_spec> ::= {<internal_loc>   <file_name>}  <internal_loc> ::= 0-3; an integer in NR1 format  <file_name> ::= quoted ASCII string
:RECall:PWD <path_name> (see page 626)	:RECall:PWD? (see page 626)	<path_name> ::= quoted ASCII string

**Table 22** :RECall Commands Summary (continued)

Command	Query	Options and Query Returns
:RECall:SETup[:START] [<file_spec>] (see page 627)	n/a	<file_spec> ::= {<internal_loc>   <file_name>} <internal_loc> ::= 0-9; an integer in NR1 format <file_name> ::= quoted ASCII string
:RECall:WMEMemory<r>[:START] [<file_name>] (see page 628)	n/a	<r> ::= 1-2 in NR1 format <file_name> ::= quoted ASCII string If extension included in file name, it must be ".h5".

**Table 23** :SAVE Commands Summary

Command	Query	Options and Query Returns
:SAVE:ARBitrary[:START] [<file_spec>] (see page 632)	n/a	<file_spec> ::= {<internal_loc>   <file_name>} <internal_loc> ::= 0-3; an integer in NR1 format <file_name> ::= quoted ASCII string
:SAVE:FIleName <base_name> (see page 633)	:SAVE:FIleName? (see page 633)	<base_name> ::= quoted ASCII string
:SAVE:IMAGe[:START] [<file_name>] (see page 634)	n/a	<file_name> ::= quoted ASCII string
:SAVE:IMAGe:FACTors {{0   OFF}   {1   ON}} (see page 635)	:SAVE:IMAGe:FACTors? (see page 635)	{0   1}
:SAVE:IMAGe:FORMat <format> (see page 636)	:SAVE:IMAGe:FORMat? (see page 636)	<format> ::= {{BMP   BMP24bit}   BMP8bit   PNG   NONE}
:SAVE:IMAGe:INKSaver {{0   OFF}   {1   ON}} (see page 637)	:SAVE:IMAGe:INKSaver? (see page 637)	{0   1}
:SAVE:IMAGe:PALette <palette> (see page 638)	:SAVE:IMAGe:PALette? (see page 638)	<palette> ::= {COLor   GRAYscale}

**Table 23** :SAVE Commands Summary (continued)

Command	Query	Options and Query Returns
:SAVE:LISTer[:START] [<file_name>] (see page 639)	n/a	<file_name> ::= quoted ASCII string
:SAVE:MASK[:START] [<file_spec>] (see page 640)	n/a	<file_spec> ::= {<internal_loc>   <file_name>}  <internal_loc> ::= 0-3; an integer in NR1 format  <file_name> ::= quoted ASCII string
:SAVE:MULTi[:START] [<file_name>] (see page 641)	n/a	<file_name> ::= quoted ASCII string
:SAVE:POWER[:START] [<file_name>] (see page 642)	n/a	<file_name> ::= quoted ASCII string
:SAVE:PWD <path_name> (see page 643)	:SAVE:PWD? (see page 643)	<path_name> ::= quoted ASCII string
:SAVE:SETUp[:START] [<file_spec>] (see page 644)	n/a	<file_spec> ::= {<internal_loc>   <file_name>}  <internal_loc> ::= 0-9; an integer in NR1 format  <file_name> ::= quoted ASCII string
:SAVE:WAVEform[:START] ] [<file_name>] (see page 645)	n/a	<file_name> ::= quoted ASCII string
:SAVE:WAVEform:FORMat <format> (see page 646)	:SAVE:WAVEform:FORMat ? (see page 646)	<format> ::= {ASCIixy   CSV   BINary   NONE}
:SAVE:WAVEform:LENGth <length> (see page 647)	:SAVE:WAVEform:LENGth ? (see page 647)	<length> ::= 100 to max. length; an integer in NR1 format
:SAVE:WAVEform:LENGth :MAX {{0   OFF}   {1   ON}} (see page 648)	:SAVE:WAVEform:LENGth :MAX? (see page 648)	{0   1}
:SAVE:WAVEform:SEGMen ted <option> (see page 649)	:SAVE:WAVEform:SEGMen ted? (see page 649)	<option> ::= {ALL   CURRent}

**Table 23** :SAVE Commands Summary (continued)

Command	Query	Options and Query Returns
:SAVE:WMEemory:SOURce <source> (see page 650)	:SAVE:WMEemory:SOURce? (see page 650)	<source> ::= {CHANnel<n>   FUNction   MATH   WMEemory<r>} <n> ::= 1 to (# analog channels) in NR1 format <r> ::= 1-2 in NR1 format NOTE: Only ADD or SUBtract math operations can be saved as reference waveforms. <return_value> ::= <source>
:SAVE:WMEemory[:START] [<file_name>] (see page 651)	n/a	<file_name> ::= quoted ASCII string If extension included in file name, it must be ".h5".

**Table 24** General :SBUS<n> Commands Summary

Command	Query	Options and Query Returns
:SBUS<n>:DISPlay {{0   OFF}   {1   ON}} (see page 656)	:SBUS<n>:DISPlay? (see page 656)	{0   1}
:SBUS<n>:MODE <mode> (see page 657)	:SBUS<n>:MODE? (see page 657)	<mode> ::= {A429   CAN   FLExray   I2S   IIC   LIN   M1553   SPI   UART}

**Table 25** :SBUS<n>:A429 Commands Summary

Command	Query	Options and Query Returns
:SBUS<n>:A429:AUToset up (see page 660)	n/a	n/a
:SBUS<n>:A429:BASE <base> (see page 661)	:SBUS<n>:A429:BASE? (see page 661)	<base> ::= {BINary   HEX}
n/a	:SBUS<n>:A429:COUNT:ER Ror? (see page 662)	<error_count> ::= integer in NR1 format
:SBUS<n>:A429:COUNT:RE Set (see page 663)	n/a	n/a
n/a	:SBUS<n>:A429:COUNT:W ORD? (see page 664)	<word_count> ::= integer in NR1 format

**Table 25** :SBUS<n>:A429 Commands Summary (continued)

Command	Query	Options and Query Returns
:SBUS<n>:A429:FORMat <format> (see page 665)	:SBUS<n>:A429:FORMat? (see page 665)	<format> ::= {LDSDi   LDSSm   LDATa}
:SBUS<n>:A429:SIGNal <signal> (see page 666)	:SBUS<n>:A429:SIGNal? (see page 666)	<signal> ::= {A   B   DIFFerential}
:SBUS<n>:A429:SOURce <source> (see page 667)	:SBUS<n>:A429:SOURce? (see page 667)	<source> ::= {CHANnel<n>} <n> ::= 1 to (# analog channels) in NR1 format
:SBUS<n>:A429:SPEed <speed> (see page 668)	:SBUS<n>:A429:SPEed? (see page 668)	<speed> ::= {LOW   HIGH}
:SBUS<n>:A429:TRIGger :LABel <value> (see page 669)	:SBUS<n>:A429:TRIGger :LABel? (see page 669)	<value> ::= 8-bit integer in decimal, <hex>, <octal>, or <string> from 0-255 or "0xXX" (don't care)  <hex> ::= #Hnn where n ::= {0,...,9   A,...,F}  <octal> ::= #Qnnn where n ::= {0,...,7}  <string> ::= "0xnn" where n ::= {0,...,9   A,...,F}
:SBUS<n>:A429:TRIGger :PATtern:DATA <string> (see page 670)	:SBUS<n>:A429:TRIGger :PATtern:DATA? (see page 670)	<string> ::= "nn...n" where n ::= {0   1   X}, length depends on FORMat
:SBUS<n>:A429:TRIGger :PATtern:SDI <string> (see page 671)	:SBUS<n>:A429:TRIGger :PATtern:SDI? (see page 671)	<string> ::= "nn" where n ::= {0   1   X}, length always 2 bits
:SBUS<n>:A429:TRIGger :PATtern:SSM <string> (see page 672)	:SBUS<n>:A429:TRIGger :PATtern:SSM? (see page 672)	<string> ::= "nn" where n ::= {0   1   X}, length always 2 bits



**Table 25** :SBUS<n>:A429 Commands Summary (continued)

Command	Query	Options and Query Returns
:SBUS<n>:A429:TRIGger :RANGe <min>,<max> (see <a href="#">page 673</a> )	:SBUS<n>:A429:TRIGger :RANGe? (see <a href="#">page 673</a> )	<min> ::= 8-bit integer in decimal, <hex>, <octal>, or <string> from 0-255  <max> ::= 8-bit integer in decimal, <hex>, <octal>, or <string> from 0-255  <hex> ::= #Hnn where n ::= {0,...,9   A,...,F}  <octal> ::= #Qnnn where n ::= {0,...,7}  <string> ::= "0xnn" where n ::= {0,...,9   A,...,F}
:SBUS<n>:A429:TRIGger :TYPE <condition> (see <a href="#">page 674</a> )	:SBUS<n>:A429:TRIGger :TYPE? (see <a href="#">page 674</a> )	<condition> ::= {WSTArt   WSTOp   LABEL   LBITs   PERRor   WERRor   GERRor   WGERRors   ALLerrors   LRANGe   ABITs   AOBits   AZBits}

**Table 26** :SBUS<n>:CAN Commands Summary

Command	Query	Options and Query Returns
n/a	:SBUS<n>:CAN:COUNT:ERRor? (see <a href="#">page 678</a> )	<frame_count> ::= integer in NR1 format
n/a	:SBUS<n>:CAN:COUNT:OVERload? (see <a href="#">page 679</a> )	<frame_count> ::= integer in NR1 format
:SBUS<n>:CAN:COUNT:RESet (see <a href="#">page 680</a> )	n/a	n/a
n/a	:SBUS<n>:CAN:COUNT:TOTAL? (see <a href="#">page 681</a> )	<frame_count> ::= integer in NR1 format
n/a	:SBUS<n>:CAN:COUNT:UTILization? (see <a href="#">page 682</a> )	<percent> ::= floating-point in NR3 format
:SBUS<n>:CAN:SAMPLEpoint <value> (see <a href="#">page 683</a> )	:SBUS<n>:CAN:SAMPLEpoint? (see <a href="#">page 683</a> )	<value> ::= {60   62.5   68   70   75   80   87.5} in NR3 format
:SBUS<n>:CAN:SIGNAL:BAUDrate <baudrate> (see <a href="#">page 684</a> )	:SBUS<n>:CAN:SIGNAL:BAUDrate? (see <a href="#">page 684</a> )	<baudrate> ::= integer from 10000 to 4000000 in 100 b/s increments, or 5000000
:SBUS<n>:CAN:SIGNAL:DEFinition <value> (see <a href="#">page 685</a> )	:SBUS<n>:CAN:SIGNAL:DEFinition? (see <a href="#">page 685</a> )	<value> ::= {CANH   CANL   RX   TX   DIFFerential   DIFL   DIFH}

**Table 26** :SBUS<n>:CAN Commands Summary (continued)

Command	Query	Options and Query Returns
:SBUS<n>:CAN:SOURce <source> (see <a href="#">page 686</a> )	:SBUS<n>:CAN:SOURce? (see <a href="#">page 686</a> )	<source> ::= {CHANnel<n>   EXTernal} for DSO models <source> ::= {CHANnel<n>   DIGital<d>   } for MSO models <n> ::= 1 to (# analog channels) in NR1 format <d> ::= 0 to (# digital channels - 1) in NR1 format
:SBUS<n>:CAN:TRIGger <condition> (see <a href="#">page 687</a> )	:SBUS<n>:CAN:TRIGger? (see <a href="#">page 688</a> )	<condition> ::= {SOF   DATA   ERRor   IDData   IDEither   IDRemote   ALLerrors   OVERload   ACKerror}
:SBUS<n>:CAN:TRIGger: PATtern:DATA <string> (see <a href="#">page 689</a> )	:SBUS<n>:CAN:TRIGger: PATtern:DATA? (see <a href="#">page 689</a> )	<string> ::= "nn...n" where n ::= {0   1   X   \$} <string ::= "0xnn...n" where n ::= {0,...,9   A,...,F   X   \$}
:SBUS<n>:CAN:TRIGger: PATtern:DATA:LENGth <length> (see <a href="#">page 690</a> )	:SBUS<n>:CAN:TRIGger: PATtern:DATA:LENGth? (see <a href="#">page 690</a> )	<length> ::= integer from 1 to 8 in NR1 format
:SBUS<n>:CAN:TRIGger: PATtern:ID <string> (see <a href="#">page 691</a> )	:SBUS<n>:CAN:TRIGger: PATtern:ID? (see <a href="#">page 691</a> )	<string> ::= "nn...n" where n ::= {0   1   X   \$} <string ::= "0xnn...n" where n ::= {0,...,9   A,...,F   X   \$}
:SBUS<n>:CAN:TRIGger: PATtern:ID:MODE <value> (see <a href="#">page 692</a> )	:SBUS<n>:CAN:TRIGger: PATtern:ID:MODE? (see <a href="#">page 692</a> )	<value> ::= {STANdard   EXTended}

**Table 27** :SBUS<n>:FLEXray Commands Summary

Command	Query	Options and Query Returns
:SBUS<n>:FLEXray:AUTO setup (see <a href="#">page 695</a> )	n/a	n/a
:SBUS<n>:FLEXray:BAUD rate <baudrate> (see <a href="#">page 696</a> )	:SBUS<n>:FLEXray:BAUD rate? (see <a href="#">page 696</a> )	<baudrate> ::= {2500000   5000000   10000000}
:SBUS<n>:FLEXray:CHAN nel <channel> (see <a href="#">page 697</a> )	:SBUS<n>:FLEXray:CHAN nel? (see <a href="#">page 697</a> )	<channel> ::= {A   B}

**Table 27** :SBUS<n>:FLEXray Commands Summary (continued)

Command	Query	Options and Query Returns
n/a	:SBUS<n>:FLEXray:COUNt:NULL? (see <a href="#">page 698</a> )	<frame_count> ::= integer in NR1 format
:SBUS<n>:FLEXray:COUNt:RESet (see <a href="#">page 699</a> )	n/a	n/a
n/a	:SBUS<n>:FLEXray:COUNt:SYNC? (see <a href="#">page 700</a> )	<frame_count> ::= integer in NR1 format
n/a	:SBUS<n>:FLEXray:COUNt:TOTal? (see <a href="#">page 701</a> )	<frame_count> ::= integer in NR1 format
:SBUS<n>:FLEXray:SOURce <source> (see <a href="#">page 702</a> )	:SBUS<n>:FLEXray:SOURce? (see <a href="#">page 702</a> )	<source> ::= {CHANnel<n>} <n> ::= 1-2 or 1-4 in NR1 format
:SBUS<n>:FLEXray:TRIGger <condition> (see <a href="#">page 703</a> )	:SBUS<n>:FLEXray:TRIGger? (see <a href="#">page 703</a> )	<condition> ::= {FRAME   ERRor   EVENT}
:SBUS<n>:FLEXray:TRIGger:ERRor:TYPE <error_type> (see <a href="#">page 704</a> )	:SBUS<n>:FLEXray:TRIGger:ERRor:TYPE? (see <a href="#">page 704</a> )	<error_type> ::= {ALL   HCRC   FCRC}
:SBUS<n>:FLEXray:TRIGger:EVENT:AUTOset (see <a href="#">page 705</a> )	n/a	n/a
:SBUS<n>:FLEXray:TRIGger:EVENT:BSS:ID <frame_id> (see <a href="#">page 706</a> )	:SBUS<n>:FLEXray:TRIGger:EVENT:BSS:ID? (see <a href="#">page 706</a> )	<frame_id> ::= {ALL   <frame #>} <frame #> ::= integer from 1-2047
:SBUS<n>:FLEXray:TRIGger:EVENT:TYPE <event> (see <a href="#">page 707</a> )	:SBUS<n>:FLEXray:TRIGger:EVENT:TYPE? (see <a href="#">page 707</a> )	<event> ::= {WAKEup   TSS   {FES   DTS}   BSS}
:SBUS<n>:FLEXray:TRIGger:FRAME:CCBase <cycle_count_base> (see <a href="#">page 708</a> )	:SBUS<n>:FLEXray:TRIGger:FRAME:CCBase? (see <a href="#">page 708</a> )	<cycle_count_base> ::= integer from 0-63
:SBUS<n>:FLEXray:TRIGger:FRAME:CCRepetition <cycle_count_repetition> (see <a href="#">page 709</a> )	:SBUS<n>:FLEXray:TRIGger:FRAME:CCRepetition? (see <a href="#">page 709</a> )	<cycle_count_repetition> ::= {ALL   <rep #>} <rep #> ::= integer values 2, 4, 8, 16, 32, or 64

**Table 27** :SBUS<n>:FLEXray Commands Summary (continued)

Command	Query	Options and Query Returns
:SBUS<n>:FLEXray:TRIGGER:FRAME:ID <frame_id> (see <a href="#">page 710</a> )	:SBUS<n>:FLEXray:TRIGGER:FRAME:ID? (see <a href="#">page 710</a> )	<frame_id> ::= {ALL   <frame #>} <frame #> ::= integer from 1-2047
:SBUS<n>:FLEXray:TRIGGER:FRAME:TYPE <frame_type> (see <a href="#">page 711</a> )	:SBUS<n>:FLEXray:TRIGGER:FRAME:TYPE? (see <a href="#">page 711</a> )	<frame_type> ::= {NORMAL   STARTup   NULL   SYNC   NSTArtup   NNULl   NSYNc   ALL}

**Table 28** :SBUS<n>:I2S Commands Summary

Command	Query	Options and Query Returns
:SBUS<n>:I2S:ALIGNment <setting> (see <a href="#">page 715</a> )	:SBUS<n>:I2S:ALIGNment? (see <a href="#">page 715</a> )	<setting> ::= {I2S   LJ   RJ}
:SBUS<n>:I2S:BASE <base> (see <a href="#">page 716</a> )	:SBUS<n>:I2S:BASE? (see <a href="#">page 716</a> )	<base> ::= {DECimal   HEX}
:SBUS<n>:I2S:CLOCK:SLOPe <slope> (see <a href="#">page 717</a> )	:SBUS<n>:I2S:CLOCK:SLOPe? (see <a href="#">page 717</a> )	<slope> ::= {NEGative   POSitive}
:SBUS<n>:I2S:RWIDth <receiver> (see <a href="#">page 718</a> )	:SBUS<n>:I2S:RWIDth? (see <a href="#">page 718</a> )	<receiver> ::= 4-32 in NR1 format
:SBUS<n>:I2S:SOURce:CLOCK <source> (see <a href="#">page 719</a> )	:SBUS<n>:I2S:SOURce:CLOCK? (see <a href="#">page 719</a> )	<source> ::= {CHANnel<n>   EXTernal} for DSO models <source> ::= {CHANnel<n>   DIGital<d>} for MSO models <n> ::= 1 to (# analog channels) in NR1 format <d> ::= 0 to (# digital channels - 1) in NR1 format
:SBUS<n>:I2S:SOURce:DATA <source> (see <a href="#">page 720</a> )	:SBUS<n>:I2S:SOURce:DATA? (see <a href="#">page 720</a> )	<source> ::= {CHANnel<n>   EXTernal} for DSO models <source> ::= {CHANnel<n>   DIGital<d>} for MSO models <n> ::= 1 to (# analog channels) in NR1 format <d> ::= 0 to (# digital channels - 1) in NR1 format

**Table 28** :SBUS<n>:I2S Commands Summary (continued)

Command	Query	Options and Query Returns
:SBUS<n>:I2S:SOURce:WSElect <source> (see <a href="#">page 721</a> )	:SBUS<n>:I2S:SOURce:WSElect? (see <a href="#">page 721</a> )	<source> ::= {CHANnel<n>   EXTErnal} for DSO models <source> ::= {CHANnel<n>   DIGital<d>} for MSO models <n> ::= 1 to (# analog channels) in NR1 format <d> ::= 0 to (# digital channels - 1) in NR1 format
:SBUS<n>:I2S:TRIGger <operator> (see <a href="#">page 722</a> )	:SBUS<n>:I2S:TRIGger? (see <a href="#">page 722</a> )	<operator> ::= {EQUal   NOTequal   LESSthan   GREATERthan   INRange   OUTRange   INCRasing   DECRasing}
:SBUS<n>:I2S:TRIGger:AUDio <audio_ch> (see <a href="#">page 724</a> )	:SBUS<n>:I2S:TRIGger:AUDio? (see <a href="#">page 724</a> )	<audio_ch> ::= {RIGHT   LEFT   EITHer}
:SBUS<n>:I2S:TRIGger:PATtern:DATA <string> (see <a href="#">page 725</a> )	:SBUS<n>:I2S:TRIGger:PATtern:DATA? (see <a href="#">page 726</a> )	<string> ::= "n" where n ::= 32-bit integer in signed decimal when <base> = DECimal <string> ::= "nn...n" where n ::= {0   1   X   \$} when <base> = BINary <string> ::= "0xnn...n" where n ::= {0,...,9   A,...,F   X   \$} when <base> = HEX
:SBUS<n>:I2S:TRIGger:PATtern:FORMat <base> (see <a href="#">page 727</a> )	:SBUS<n>:I2S:TRIGger:PATtern:FORMat? (see <a href="#">page 727</a> )	<base> ::= {BINary   HEX   DECimal}
:SBUS<n>:I2S:TRIGger:RANGe <lower>, <upper> (see <a href="#">page 728</a> )	:SBUS<n>:I2S:TRIGger:RANGe? (see <a href="#">page 728</a> )	<lower> ::= 32-bit integer in signed decimal, <nondecimal>, or <string> <upper> ::= 32-bit integer in signed decimal, <nondecimal>, or <string> <nondecimal> ::= #Hnn...n where n ::= {0,...,9   A,...,F} for hexadecimal <nondecimal> ::= #Bnn...n where n ::= {0   1} for binary <string> ::= "0xnn...n" where n ::= {0,...,9   A,...,F} for hexadecimal

**Table 28** :SBUS<n>:I2S Commands Summary (continued)

Command	Query	Options and Query Returns
:SBUS<n>:I2S:TWIDth <word_size> (see page 730)	:SBUS<n>:I2S:TWIDth? (see page 730)	<word_size> ::= 4-32 in NR1 format
:SBUS<n>:I2S:WSLow <low_def> (see page 731)	:SBUS<n>:I2S:WSLow? (see page 731)	<low_def> ::= {LEFT   RIGHT}

**Table 29** :SBUS<n>:IIC Commands Summary

Command	Query	Options and Query Returns
:SBUS<n>:IIC:ASIZE <size> (see page 734)	:SBUS<n>:IIC:ASIZE? (see page 734)	<size> ::= {BIT7   BIT8}
:SBUS<n>:IIC[:SOURce] :CLOCK <source> (see page 735)	:SBUS<n>:IIC[:SOURce] :CLOCK? (see page 735)	<source> ::= {CHANnel<n>   EXTernal} for DSO models  <source> ::= {CHANnel<n>   DIGital<d> } for MSO models  <n> ::= 1 to (# analog channels) in NR1 format  <d> ::= 0 to (# digital channels - 1) in NR1 format
:SBUS<n>:IIC[:SOURce] :DATA <source> (see page 736)	:SBUS<n>:IIC[:SOURce] :DATA? (see page 736)	<source> ::= {CHANnel<n>   EXTernal} for DSO models  <source> ::= {CHANnel<n>   DIGital<d> } for MSO models  <n> ::= 1 to (# analog channels) in NR1 format  <d> ::= 0 to (# digital channels - 1) in NR1 format
:SBUS<n>:IIC:TRIGger: PATtern:ADDRESS <value> (see page 737)	:SBUS<n>:IIC:TRIGger: PATtern:ADDRESS? (see page 737)	<value> ::= integer or <string> <string> ::= "0xnn" n ::= {0,...,9   A,...,F}
:SBUS<n>:IIC:TRIGger: PATtern:DATA <value> (see page 738)	:SBUS<n>:IIC:TRIGger: PATtern:DATA? (see page 738)	<value> ::= integer or <string> <string> ::= "0xnn" n ::= {0,...,9   A,...,F}
:SBUS<n>:IIC:TRIGger: PATtern:DATA2 <value> (see page 739)	:SBUS<n>:IIC:TRIGger: PATtern:DATA2? (see page 739)	<value> ::= integer or <string> <string> ::= "0xnn" n ::= {0,...,9   A,...,F}

**Table 29** :SBUS<n>:IIC Commands Summary (continued)

Command	Query	Options and Query Returns
:SBUS<n>:IIC:TRIGger:QUALifier <value> (see <a href="#">page 740</a> )	:SBUS<n>:IIC:TRIGger:QUALifier? (see <a href="#">page 740</a> )	<value> ::= {EQUAL   NOTequal   LESSthan   GREATERthan}
:SBUS<n>:IIC:TRIGger[:TYPE] <type> (see <a href="#">page 741</a> )	:SBUS<n>:IIC:TRIGger[:TYPE]? (see <a href="#">page 741</a> )	<type> ::= {START   STOP   READ7   READEprom   WRITe7   WRITe10   NACKnowledge   ANACK   R7Data2   W7Data2   REStart}

**Table 30** :SBUS<n>:LIN Commands Summary

Command	Query	Options and Query Returns
:SBUS<n>:LIN:PARity {{0   OFF}   {1   ON}} (see <a href="#">page 745</a> )	:SBUS<n>:LIN:PARity? (see <a href="#">page 745</a> )	{0   1}
:SBUS<n>:LIN:SAMplepoint <value> (see <a href="#">page 746</a> )	:SBUS<n>:LIN:SAMplepoint? (see <a href="#">page 746</a> )	<value> ::= {60   62.5   68   70   75   80   87.5} in NR3 format
:SBUS<n>:LIN:SIGNAL:BAUDrate <baudrate> (see <a href="#">page 747</a> )	:SBUS<n>:LIN:SIGNAL:BAUDrate? (see <a href="#">page 747</a> )	<baudrate> ::= integer from 2400 to 625000 in 100 b/s increments
:SBUS<n>:LIN:SOURce <source> (see <a href="#">page 748</a> )	:SBUS<n>:LIN:SOURce? (see <a href="#">page 748</a> )	<source> ::= {CHANnel<n>   EXTErnal} for DSO models <source> ::= {CHANnel<n>   DIGital<d>} for MSO models <n> ::= 1 to (# analog channels) in NR1 format <d> ::= 0 to (# digital channels - 1) in NR1 format
:SBUS<n>:LIN:STANdard <std> (see <a href="#">page 749</a> )	:SBUS<n>:LIN:STANdard? (see <a href="#">page 749</a> )	<std> ::= {LIN13   LIN20}
:SBUS<n>:LIN:SYNCbreak <value> (see <a href="#">page 750</a> )	:SBUS<n>:LIN:SYNCbreak? (see <a href="#">page 750</a> )	<value> ::= integer = {11   12   13}
:SBUS<n>:LIN:TRIGger <condition> (see <a href="#">page 751</a> )	:SBUS<n>:LIN:TRIGger? (see <a href="#">page 751</a> )	<condition> ::= {SYNCbreak   ID   DATA}

**Table 30** :SBUS<n>:LIN Commands Summary (continued)

Command	Query	Options and Query Returns
:SBUS<n>:LIN:TRIGger:ID <value> (see <a href="#">page 752</a> )	:SBUS<n>:LIN:TRIGger:ID? (see <a href="#">page 752</a> )	<value> ::= 7-bit integer in decimal, <nondecimal>, or <string> from 0-63 or 0x00-0x3f <nondecimal> ::= #Hnn where n ::= {0,...,9   A,...,F} for hexadecimal <nondecimal> ::= #Bnn...n where n ::= {0   1} for binary <string> ::= "0xnn" where n ::= {0,...,9   A,...,F} for hexadecimal
:SBUS<n>:LIN:TRIGger:PATtern:DATA <string> (see <a href="#">page 753</a> )	:SBUS<n>:LIN:TRIGger:PATtern:DATA? (see <a href="#">page 753</a> )	<string> ::= "n" where n ::= 32-bit integer in unsigned decimal when <base> = DECimal <string> ::= "nn...n" where n ::= {0   1   X   \$} when <base> = BINary <string> ::= "0xnn...n" where n ::= {0,...,9   A,...,F   X   \$} when <base> = HEX
:SBUS<n>:LIN:TRIGger:PATtern:DATA:LENGth <length> (see <a href="#">page 755</a> )	:SBUS<n>:LIN:TRIGger:PATtern:DATA:LENGth? (see <a href="#">page 755</a> )	<length> ::= integer from 1 to 8 in NR1 format
:SBUS<n>:LIN:TRIGger:PATtern:FORMat <base> (see <a href="#">page 756</a> )	:SBUS<n>:LIN:TRIGger:PATtern:FORMat? (see <a href="#">page 756</a> )	<base> ::= {BINary   HEX   DECimal}

**Table 31** :SBUS<n>:M1553 Commands Summary

Command	Query	Options and Query Returns
:SBUS<n>:M1553:AUTOsetup (see <a href="#">page 758</a> )	n/a	n/a
:SBUS<n>:M1553:BASE <base> (see <a href="#">page 759</a> )	:SBUS<n>:M1553:BASE? (see <a href="#">page 759</a> )	<base> ::= {BINary   HEX}
:SBUS<n>:M1553:SOURce <source> (see <a href="#">page 760</a> )	:SBUS<n>:M1553:SOURce? (see <a href="#">page 760</a> )	<source> ::= {CHANnel<n>} <n> ::= 1 to (# analog channels) in NR1 format
:SBUS<n>:M1553:TRIGger:PATtern:DATA <string> (see <a href="#">page 761</a> )	:SBUS<n>:M1553:TRIGger:PATtern:DATA? (see <a href="#">page 761</a> )	<string> ::= "nn...n" where n ::= {0   1   X}



**Table 31** :SBUS<n>:M1553 Commands Summary (continued)

Command	Query	Options and Query Returns
:SBUS<n>:M1553:TRIGger:RTA <value> (see <a href="#">page 762</a> )	:SBUS<n>:M1553:TRIGger:RTA? (see <a href="#">page 762</a> )	<value> ::= 5-bit integer in decimal, <nondecimal>, or <string> from 0-31 <nondecimal> ::= #Hnn where n ::= {0,...,9 A,...,F} <string> ::= "0xnn" where n ::= {0,...,9 A,...,F}
:SBUS<n>:M1553:TRIGger:TYPE <type> (see <a href="#">page 763</a> )	:SBUS<n>:M1553:TRIGger:TYPE? (see <a href="#">page 763</a> )	<type> ::= {DStArt   DStOp   CStArt   CStOp   RTA   PERRor   SERRor   MERRor   RTA11}

**Table 32** :SBUS<n>:SPI Commands Summary

Command	Query	Options and Query Returns
:SBUS<n>:SPI:BITOrder <order> (see <a href="#">page 766</a> )	:SBUS<n>:SPI:BITOrder? (see <a href="#">page 766</a> )	<order> ::= {LSBFirst   MSBFirst}
:SBUS<n>:SPI:CLOCK:SLOPe <slope> (see <a href="#">page 767</a> )	:SBUS<n>:SPI:CLOCK:SLOPe? (see <a href="#">page 767</a> )	<slope> ::= {NEGative   POSitive}
:SBUS<n>:SPI:CLOCK:TI Meout <time_value> (see <a href="#">page 768</a> )	:SBUS<n>:SPI:CLOCK:TI Meout? (see <a href="#">page 768</a> )	<time_value> ::= time in seconds in NR3 format
:SBUS<n>:SPI:FRAMing <value> (see <a href="#">page 769</a> )	:SBUS<n>:SPI:FRAMing? (see <a href="#">page 769</a> )	<value> ::= {CHIPselect   {NCHIPselect   NOTC}   TIMEout}
:SBUS<n>:SPI:SOURce:CLOCK <source> (see <a href="#">page 770</a> )	:SBUS<n>:SPI:SOURce:CLOCK? (see <a href="#">page 770</a> )	<value> ::= {CHANnel<n>   EXTErnal} for the DSO models <value> ::= {CHANnel<n>   DIGital<d>} for the MSO models <n> ::= 1 to (# analog channels) in NR1 format <d> ::= 0 to (# digital channels - 1) in NR1 format
:SBUS<n>:SPI:SOURce:FRAME <source> (see <a href="#">page 771</a> )	:SBUS<n>:SPI:SOURce:FRAME? (see <a href="#">page 771</a> )	<value> ::= {CHANnel<n>   EXTErnal} for the DSO models <value> ::= {CHANnel<n>   DIGital<d>} for the MSO models <n> ::= 1 to (# analog channels) in NR1 format <d> ::= 0 to (# digital channels - 1) in NR1 format

**Table 32** :SBUS<n>:SPI Commands Summary (continued)

Command	Query	Options and Query Returns
:SBUS<n>:SPI:SOURce:MISO <source> (see <a href="#">page 772</a> )	:SBUS<n>:SPI:SOURce:MISO? (see <a href="#">page 772</a> )	<value> ::= {CHANnel<n>   EXTernal} for the DSO models <value> ::= {CHANnel<n>   DIGital<d>} for the MSO models <n> ::= 1 to (# analog channels) in NR1 format <d> ::= 0 to (# digital channels - 1) in NR1 format
:SBUS<n>:SPI:SOURce:MOSI <source> (see <a href="#">page 773</a> )	:SBUS<n>:SPI:SOURce:MOSI? (see <a href="#">page 773</a> )	<value> ::= {CHANnel<n>   EXTernal} for the DSO models <value> ::= {CHANnel<n>   DIGital<d>} for the MSO models <n> ::= 1 to (# analog channels) in NR1 format <d> ::= 0 to (# digital channels - 1) in NR1 format
:SBUS<n>:SPI:TRIGger:PATtern:MISO:DATA <string> (see <a href="#">page 774</a> )	:SBUS<n>:SPI:TRIGger:PATtern:MISO:DATA? (see <a href="#">page 774</a> )	<string> ::= "nn...n" where n ::= {0   1   X   \$} <string ::= "0xnn...n" where n ::= {0,...,9   A,...,F   X   \$}
:SBUS<n>:SPI:TRIGger:PATtern:MISO:WIDTh <width> (see <a href="#">page 775</a> )	:SBUS<n>:SPI:TRIGger:PATtern:MISO:WIDTh? (see <a href="#">page 775</a> )	<width> ::= integer from 4 to 64 in NR1 format
:SBUS<n>:SPI:TRIGger:PATtern:MOSI:DATA <string> (see <a href="#">page 776</a> )	:SBUS<n>:SPI:TRIGger:PATtern:MOSI:DATA? (see <a href="#">page 776</a> )	<string> ::= "nn...n" where n ::= {0   1   X   \$} <string ::= "0xnn...n" where n ::= {0,...,9   A,...,F   X   \$}
:SBUS<n>:SPI:TRIGger:PATtern:MOSI:WIDTh <width> (see <a href="#">page 777</a> )	:SBUS<n>:SPI:TRIGger:PATtern:MOSI:WIDTh? (see <a href="#">page 777</a> )	<width> ::= integer from 4 to 64 in NR1 format
:SBUS<n>:SPI:TRIGger:TYPE <value> (see <a href="#">page 778</a> )	:SBUS<n>:SPI:TRIGger:TYPE? (see <a href="#">page 778</a> )	<value> ::= {MOSI   MISO}
:SBUS<n>:SPI:WIDTh <word_width> (see <a href="#">page 779</a> )	:SBUS<n>:SPI:WIDTh? (see <a href="#">page 779</a> )	<word_width> ::= integer 4-16 in NR1 format

**Table 33** :SBUS<n>:UART Commands Summary

Command	Query	Options and Query Returns
:SBUS<n>:UART:BASE <base> (see <a href="#">page 783</a> )	:SBUS<n>:UART:BASE? (see <a href="#">page 783</a> )	<base> ::= {ASCii   BINary   HEX}
:SBUS<n>:UART:BAUDrate <baudrate> (see <a href="#">page 784</a> )	:SBUS<n>:UART:BAUDrate? (see <a href="#">page 784</a> )	<baudrate> ::= integer from 100 to 8000000
:SBUS<n>:UART:BITorder <bitorder> (see <a href="#">page 785</a> )	:SBUS<n>:UART:BITorder? (see <a href="#">page 785</a> )	<bitorder> ::= {LSBFirst   MSBFirst}
n/a	:SBUS<n>:UART:COUNT:ERRor? (see <a href="#">page 786</a> )	<frame_count> ::= integer in NR1 format
:SBUS<n>:UART:COUNT:RESet (see <a href="#">page 787</a> )	n/a	n/a
n/a	:SBUS<n>:UART:COUNT:RXFRames? (see <a href="#">page 788</a> )	<frame_count> ::= integer in NR1 format
n/a	:SBUS<n>:UART:COUNT:TXFRames? (see <a href="#">page 789</a> )	<frame_count> ::= integer in NR1 format
:SBUS<n>:UART:FRAMing <value> (see <a href="#">page 790</a> )	:SBUS<n>:UART:FRAMing? (see <a href="#">page 790</a> )	<value> ::= {OFF   <decimal>   <nondecimal>}  <decimal> ::= 8-bit integer from 0-255 (0x00-0xff)  <nondecimal> ::= #Hnn where n ::= {0,...,9   A,...,F} for hexadecimal  <nondecimal> ::= #Bnn...n where n ::= {0   1} for binary
:SBUS<n>:UART:PARity <parity> (see <a href="#">page 791</a> )	:SBUS<n>:UART:PARity? (see <a href="#">page 791</a> )	<parity> ::= {EVEN   ODD   NONE}
:SBUS<n>:UART:POLarity <polarity> (see <a href="#">page 792</a> )	:SBUS<n>:UART:POLarity? (see <a href="#">page 792</a> )	<polarity> ::= {HIGH   LOW}
:SBUS<n>:UART:SOURce:RX <source> (see <a href="#">page 793</a> )	:SBUS<n>:UART:SOURce:RX? (see <a href="#">page 793</a> )	<source> ::= {CHANnel<n>   EXTernal} for DSO models  <source> ::= {CHANnel<n>   DIGital<d>} for MSO models  <n> ::= 1 to (# analog channels) in NR1 format  <d> ::= 0 to (# digital channels - 1) in NR1 format

**Table 33** :SBUS<n>:UART Commands Summary (continued)

Command	Query	Options and Query Returns
:SBUS<n>:UART:SOURce:TX <source> (see <a href="#">page 794</a> )	:SBUS<n>:UART:SOURce:TX? (see <a href="#">page 794</a> )	<source> ::= {CHANnel<n>   EXTernal} for DSO models <source> ::= {CHANnel<n>   DIGital<d>} for MSO models <n> ::= 1 to (# analog channels) in NR1 format <d> ::= 0 to (# digital channels - 1) in NR1 format
:SBUS<n>:UART:TRIGger:BASE <base> (see <a href="#">page 795</a> )	:SBUS<n>:UART:TRIGger:BASE? (see <a href="#">page 795</a> )	<base> ::= {ASCii   HEX}
:SBUS<n>:UART:TRIGger:BURSt <value> (see <a href="#">page 796</a> )	:SBUS<n>:UART:TRIGger:BURSt? (see <a href="#">page 796</a> )	<value> ::= {OFF   1 to 4096 in NR1 format}
:SBUS<n>:UART:TRIGger:DATA <value> (see <a href="#">page 797</a> )	:SBUS<n>:UART:TRIGger:DATA? (see <a href="#">page 797</a> )	<value> ::= 8-bit integer from 0-255 (0x00-0xff) in decimal, <hexadecimal>, <binary>, or <quoted_string> format <hexadecimal> ::= #Hnn where n ::= {0,...,9   A,...,F} for hexadecimal <binary> ::= #Bnn...n where n ::= {0   1} for binary <quoted_string> ::= any of the 128 valid 7-bit ASCII characters (or standard abbreviations)
:SBUS<n>:UART:TRIGger:IDLE <time_value> (see <a href="#">page 798</a> )	:SBUS<n>:UART:TRIGger:IDLE? (see <a href="#">page 798</a> )	<time_value> ::= time from 1 us to 10 s in NR3 format
:SBUS<n>:UART:TRIGger:QUALifier <value> (see <a href="#">page 799</a> )	:SBUS<n>:UART:TRIGger:QUALifier? (see <a href="#">page 799</a> )	<value> ::= {EQUal   NOTequal   GREATERthan   LESSthan}
:SBUS<n>:UART:TRIGger:TYPE <value> (see <a href="#">page 800</a> )	:SBUS<n>:UART:TRIGger:TYPE? (see <a href="#">page 800</a> )	<value> ::= {RSTArt   RSTOp   RDATA   RD1   RD0   RDX   PARityerror   TSTArt   TSTOp   TDATA   TD1   TD0   TDx}
:SBUS<n>:UART:WIDTh <width> (see <a href="#">page 801</a> )	:SBUS<n>:UART:WIDTh? (see <a href="#">page 801</a> )	<width> ::= {5   6   7   8   9}

**Table 34** General :SEARCh Commands Summary

Command	Query	Options and Query Returns
n/a	:SEARCh:COUNT? (see <a href="#">page 805</a> )	<count> ::= an integer count value
:SEARCh:MODE <value> (see <a href="#">page 806</a> )	:SEARCh:MODE? (see <a href="#">page 806</a> )	<value> ::= {EDGE   GLITCh   RUNT   TRANSition   SERIAL{1   2}}
:SEARCh:STATe <value> (see <a href="#">page 807</a> )	:SEARCh:STATe? (see <a href="#">page 807</a> )	<value> ::= {{0   OFF}   {1   ON}}

**Table 35** :SEARCh:EDGE Commands Summary

Command	Query	Options and Query Returns
:SEARCh:EDGE:SLOPe <slope> (see <a href="#">page 809</a> )	:SEARCh:EDGE:SLOPe? (see <a href="#">page 809</a> )	<slope> ::= {POSitive   NEGative   EITHER}
:SEARCh:EDGE:SOURce <source> (see <a href="#">page 810</a> )	:SEARCh:EDGE:SOURce? (see <a href="#">page 810</a> )	<source> ::= CHANnel<n> <n> ::= 1 to (# analog channels) in NR1 format

**Table 36** :SEARCh:GLITCh Commands Summary

Command	Query	Options and Query Returns
:SEARCh:GLITCh:GREate rthan <greater_than_time>[suffix] (see <a href="#">page 812</a> )	:SEARCh:GLITCh:GREate rthan? (see <a href="#">page 812</a> )	<greater_than_time> ::= floating-point number in NR3 format [suffix] ::= {s   ms   us   ns   ps}
:SEARCh:GLITCh:LESSthan <less_than_time>[suffix] (see <a href="#">page 813</a> )	:SEARCh:GLITCh:LESSthan? (see <a href="#">page 813</a> )	<less_than_time> ::= floating-point number in NR3 format [suffix] ::= {s   ms   us   ns   ps}
:SEARCh:GLITCh:POLari ty <polarity> (see <a href="#">page 814</a> )	:SEARCh:GLITCh:POLari ty? (see <a href="#">page 814</a> )	<polarity> ::= {POSitive   NEGative}
:SEARCh:GLITCh:QUALif ier <qualifier> (see <a href="#">page 815</a> )	:SEARCh:GLITCh:QUALif ier? (see <a href="#">page 815</a> )	<qualifier> ::= {GREaterthan   LESSthan   RANGE}

**Table 36** :SEARCH:GLITCh Commands Summary (continued)

Command	Query	Options and Query Returns
:SEARCH:GLITCh:RANGe <less_than_time>[suffix], <greater_than_time>[suffix] (see <a href="#">page 816</a> )	:SEARCH:GLITCh:RANGe? (see <a href="#">page 816</a> )	<less_than_time> ::= 15 ns to 10 seconds in NR3 format <greater_than_time> ::= 10 ns to 9.99 seconds in NR3 format [suffix] ::= {s   ms   us   ns   ps}
:SEARCH:GLITCh:SOURCE <source> (see <a href="#">page 817</a> )	:SEARCH:GLITCh:SOURCE? (see <a href="#">page 817</a> )	<source> ::= CHANNEL<n> <n> ::= 1 to (# analog channels) in NR1 format

**Table 37** :SEARCH:RUNT Commands Summary

Command	Query	Options and Query Returns
:SEARCH:RUNT:POLARity <polarity> (see <a href="#">page 819</a> )	:SEARCH:RUNT:POLARity? (see <a href="#">page 819</a> )	<polarity> ::= {POSitive   NEGative   EITHER}
:SEARCH:RUNT:QUALifier <qualifier> (see <a href="#">page 820</a> )	:SEARCH:RUNT:QUALifier? (see <a href="#">page 820</a> )	<qualifier> ::= {GREaterthan   LESSthan   NONE}
:SEARCH:RUNT:SOURCE <source> (see <a href="#">page 821</a> )	:SEARCH:RUNT:SOURCE? (see <a href="#">page 821</a> )	<source> ::= CHANNEL<n> <n> ::= 1 to (# analog channels) in NR1 format
:SEARCH:RUNT:TIME <time>[suffix] (see <a href="#">page 822</a> )	:SEARCH:RUNT:TIME? (see <a href="#">page 822</a> )	<time> ::= floating-point number in NR3 format [suffix] ::= {s   ms   us   ns   ps}

**Table 38** :SEARCH:TRANSition Commands Summary

Command	Query	Options and Query Returns
:SEARCH:TRANSition:QUALifier <qualifier> (see <a href="#">page 824</a> )	:SEARCH:TRANSition:QUALifier? (see <a href="#">page 824</a> )	<qualifier> ::= {GREaterthan   LESSthan}
:SEARCH:TRANSition:SLOPe <slope> (see <a href="#">page 825</a> )	:SEARCH:TRANSition:SLOPe? (see <a href="#">page 825</a> )	<slope> ::= {NEGative   POSitive}

**Table 38** :SEARCh:TRANSition Commands Summary (continued)

Command	Query	Options and Query Returns
:SEARCh:TRANSition:SO URce <source> (see page 826)	:SEARCh:TRANSition:SO URce? (see page 826)	<source> ::= CHANnel<n>  <n> ::= 1 to (# analog channels) in NR1 format
:SEARCh:TRANSition:TI ME <time>[suffix] (see page 827)	:SEARCh:TRANSition:TI ME? (see page 827)	<time> ::= floating-point number in NR3 format  [suffix] ::= {s   ms   us   ns   ps}

**Table 39** :SEARCh:SERial:A429 Commands Summary

Command	Query	Options and Query Returns
:SEARCh:SERial:A429:L ABel <value> (see page 829)	:SEARCh:SERial:A429:L ABel? (see page 829)	<value> ::= 8-bit integer in decimal, <hex>, <octal>, or <string> from 0-255  <hex> ::= #Hnn where n ::= {0,...,9   A,...,F}  <octal> ::= #Qnnn where n ::= {0,...,7}  <string> ::= "0xnn" where n ::= {0,...,9   A,...,F}
:SEARCh:SERial:A429:M ODE <condition> (see page 830)	:SEARCh:SERial:A429:M ODE? (see page 830)	<condition> ::= {LABel   LBITs   PERRor   WERRor   GERRor   WGERrors   ALLerrors}
:SEARCh:SERial:A429:P ATTern:DATA <string> (see page 831)	:SEARCh:SERial:A429:P ATTern:DATA? (see page 831)	<string> ::= "nn...n" where n ::= {0   1}, length depends on FORMat
:SEARCh:SERial:A429:P ATTern:SDI <string> (see page 832)	:SEARCh:SERial:A429:P ATTern:SDI? (see page 832)	<string> ::= "nn" where n ::= {0   1}, length always 2 bits
:SEARCh:SERial:A429:P ATTern:SSM <string> (see page 833)	:SEARCh:SERial:A429:P ATTern:SSM? (see page 833)	<string> ::= "nn" where n ::= {0   1}, length always 2 bits

**Table 40** :SEARCH:SERIAL:CAN Commands Summary

Command	Query	Options and Query Returns
:SEARCH:SERIAL:CAN:MODE <value> (see <a href="#">page 835</a> )	:SEARCH:SERIAL:CAN:MODE? (see <a href="#">page 835</a> )	<value> ::= {DATA   IDData   IDEither   IDRemote   ALLerrors   OVERload   ERRor}
:SEARCH:SERIAL:CAN:PA TTern:DATA <string> (see <a href="#">page 836</a> )	:SEARCH:SERIAL:CAN:PA TTern:DATA? (see <a href="#">page 836</a> )	<string> ::= "0xnn...n" where n ::= {0,...,9   A,...,F   X} for hexadecimal
:SEARCH:SERIAL:CAN:PA TTern:DATA:LENGth <length> (see <a href="#">page 837</a> )	:SEARCH:SERIAL:CAN:PA TTern:DATA:LENGth? (see <a href="#">page 837</a> )	<length> ::= integer from 1 to 8 in NR1 format
:SEARCH:SERIAL:CAN:PA TTern:ID <string> (see <a href="#">page 838</a> )	:SEARCH:SERIAL:CAN:PA TTern:ID? (see <a href="#">page 838</a> )	<string> ::= "0xnn...n" where n ::= {0,...,9   A,...,F   X} for hexadecimal
:SEARCH:SERIAL:CAN:PA TTern:ID:MODE <value> (see <a href="#">page 839</a> )	:SEARCH:SERIAL:CAN:PA TTern:ID:MODE? (see <a href="#">page 839</a> )	<value> ::= {STANDARD   EXTended}

**Table 41** :SEARCH:SERIAL:FLEXray Commands Summary

Command	Query	Options and Query Returns
:SEARCH:SERIAL:FLEXray:CYCLE <cycle> (see <a href="#">page 841</a> )	:SEARCH:SERIAL:FLEXray:CYCLE? (see <a href="#">page 841</a> )	<cycle> ::= {ALL   <cycle #>} <cycle #> ::= integer from 0-63
:SEARCH:SERIAL:FLEXray:DATA <string> (see <a href="#">page 842</a> )	:SEARCH:SERIAL:FLEXray:DATA? (see <a href="#">page 842</a> )	<string> ::= "0xnn...n" where n ::= {0,...,9   A,...,F   X}
:SEARCH:SERIAL:FLEXray:DATA:LENGth <length> (see <a href="#">page 843</a> )	:SEARCH:SERIAL:FLEXray:DATA:LENGth? (see <a href="#">page 843</a> )	<length> ::= integer from 1 to 12 in NR1 format
:SEARCH:SERIAL:FLEXray:FRAME <frame id> (see <a href="#">page 844</a> )	:SEARCH:SERIAL:FLEXray:FRAME? (see <a href="#">page 844</a> )	<frame_id> ::= {ALL   <frame #>} <frame #> ::= integer from 1-2047
:SEARCH:SERIAL:FLEXray:MODE <value> (see <a href="#">page 845</a> )	:SEARCH:SERIAL:FLEXray:MODE? (see <a href="#">page 845</a> )	<value> ::= {FRAME   CYCLE   DATA   HERRor   FERRor   AERRor}



**Table 42** :SEARCH:SERIAL:I2S Commands Summary

Command	Query	Options and Query Returns
:SEARCH:SERIAL:I2S:AUDIO <audio_ch> (see <a href="#">page 847</a> )	:SEARCH:SERIAL:I2S:AUDIO? (see <a href="#">page 847</a> )	<audio_ch> ::= {RIGHT   LEFT   EITHER}
:SEARCH:SERIAL:I2S:MODE <value> (see <a href="#">page 848</a> )	:SEARCH:SERIAL:I2S:MODE? (see <a href="#">page 848</a> )	<value> ::= {EQUAL   NOTEQUAL   LESSTHAN   GREATERTHAN   INRANGE   OTRANGE}
:SEARCH:SERIAL:I2S:PARTIAL:DATA <string> (see <a href="#">page 849</a> )	:SEARCH:SERIAL:I2S:PARTIAL:DATA? (see <a href="#">page 849</a> )	<string> ::= "n" where n ::= 32-bit integer in signed decimal when <base> = DECIMAL <string> ::= "nn...n" where n ::= {0   1   X} when <base> = BINARY <string> ::= "0xnn...n" where n ::= {0,...,9   A,...,F   X} when <base> = HEX
:SEARCH:SERIAL:I2S:PARTIAL:FORMAT <base> (see <a href="#">page 850</a> )	:SEARCH:SERIAL:I2S:PARTIAL:FORMAT? (see <a href="#">page 850</a> )	<base> ::= {BINARY   HEX   DECIMAL}
:SEARCH:SERIAL:I2S:RANGE <lower>, <upper> (see <a href="#">page 851</a> )	:SEARCH:SERIAL:I2S:RANGE? (see <a href="#">page 851</a> )	<lower> ::= 32-bit integer in signed decimal, <nondecimal>, or <string> <upper> ::= 32-bit integer in signed decimal, <nondecimal>, or <string> <nondecimal> ::= #Hnn...n where n ::= {0,...,9   A,...,F} for hexadecimal <nondecimal> ::= #Bnn...n where n ::= {0   1} for binary <string> ::= "0xnn...n" where n ::= {0,...,9   A,...,F} for hexadecimal

**Table 43** :SEARCH:SERIAL:IIC Commands Summary

Command	Query	Options and Query Returns
:SEARCH:SERIAL:IIC:MODE <value> (see <a href="#">page 853</a> )	:SEARCH:SERIAL:IIC:MODE? (see <a href="#">page 853</a> )	<value> ::= { READ7   WRITE7   NACKNOWLEDGE   ANACK   R7DATA2   W7DATA2   RESTART   READEPROM }
:SEARCH:SERIAL:IIC:PARTIAL:ADDRESS <value> (see <a href="#">page 855</a> )	:SEARCH:SERIAL:IIC:PARTIAL:ADDRESS? (see <a href="#">page 855</a> )	<value> ::= integer or <string> <string> ::= "0xnn" n ::= {0,...,9   A,...,F}

**Table 43** :SEARCH:SERIAL:IIC Commands Summary (continued)

Command	Query	Options and Query Returns
:SEARCH:SERIAL:IIC:PA TTern:DATA <value> (see <a href="#">page 856</a> )	:SEARCH:SERIAL:IIC:PA TTern:DATA? (see <a href="#">page 856</a> )	<value> ::= integer or <string> <string> ::= "0xnn" n ::= {0,...,9   A,...,F}
:SEARCH:SERIAL:IIC:PA TTern:DATA2 <value> (see <a href="#">page 857</a> )	:SEARCH:SERIAL:IIC:PA TTern:DATA2? (see <a href="#">page 857</a> )	<value> ::= integer or <string> <string> ::= "0xnn" n ::= {0,...,9   A,...,F}
:SEARCH:SERIAL:IIC:QU ALifier <value> (see <a href="#">page 858</a> )	:SEARCH:SERIAL:IIC:QU ALifier? (see <a href="#">page 858</a> )	<value> ::= {EQUAL   NOTequal   LESSthan   GREATERthan}

**Table 44** :SEARCH:SERIAL:LIN Commands Summary

Command	Query	Options and Query Returns
:SEARCH:SERIAL:LIN:ID <value> (see <a href="#">page 860</a> )	:SEARCH:SERIAL:LIN:ID ? (see <a href="#">page 860</a> )	<value> ::= 7-bit integer in decimal, <nondecimal>, or <string> from 0-63 or 0x00-0x3f (with Option AMS)  <nondecimal> ::= #Hnn where n ::= {0,...,9   A,...,F} for hexadecimal <nondecimal> ::= #Bnn...n where n ::= {0   1} for binary <string> ::= "0xnn" where n ::= {0,...,9   A,...,F} for hexadecimal
:SEARCH:SERIAL:LIN:MO DE <value> (see <a href="#">page 861</a> )	:SEARCH:SERIAL:LIN:MO DE? (see <a href="#">page 861</a> )	<value> ::= {ID   DATA   ERRor}
:SEARCH:SERIAL:LIN:PA TTern:DATA <string> (see <a href="#">page 862</a> )	:SEARCH:SERIAL:LIN:PA TTern:DATA? (see <a href="#">page 862</a> )	When :SEARCH:SERIAL:LIN:PATtern:FORMa t DECimal, <string> ::= "n" where n ::= 32-bit integer in unsigned decimal, returns "\$" if data has any don't cares  When :SEARCH:SERIAL:LIN:PATtern:FORMa t HEX, <string> ::= "0xnn...n" where n ::= {0,...,9   A,...,F   X }

**Table 44** :SEARCH:SERIAL:LIN Commands Summary (continued)

Command	Query	Options and Query Returns
:SEARCH:SERIAL:LIN:PA TTern:DATA:LENGTh <length> (see page 863)	:SEARCH:SERIAL:LIN:PA TTern:DATA:LENGTh? (see page 863)	<length> ::= integer from 1 to 8 in NR1 format
:SEARCH:SERIAL:LIN:PA TTern:FORMat <base> (see page 864)	:SEARCH:SERIAL:LIN:PA TTern:FORMat? (see page 864)	<base> ::= {HEX   DECimal}

**Table 45** :SEARCH:SERIAL:M1553 Commands Summary

Command	Query	Options and Query Returns
:SEARCH:SERIAL:M1553: MODE <value> (see page 866)	:SEARCH:SERIAL:M1553: MODE? (see page 866)	<value> ::= {DSTArt   CSTArt   RTA   RTA11   PERRor   SERRor   MERRor}
:SEARCH:SERIAL:M1553: PATTern:DATA <string> (see page 867)	:SEARCH:SERIAL:M1553: PATTern:DATA? (see page 867)	<string> ::= "nn...n" where n ::= {0   1}
:SEARCH:SERIAL:M1553: RTA <value> (see page 868)	:SEARCH:SERIAL:M1553: RTA? (see page 868)	<value> ::= 5-bit integer in decimal, <hexadecimal>, <binary>, or <string> from 0-31 < hexadecimal > ::= #Hnn where n ::= {0,...,9 A,...,F} <binary> ::= #Bnn...n where n ::= {0   1} for binary <string> ::= "0xnn" where n ::= {0,...,9 A,...,F}

**Table 46** :SEARCH:SERIAL:SPI Commands Summary

Command	Query	Options and Query Returns
:SEARCH:SERIAL:SPI:MO DE <value> (see page 870)	:SEARCH:SERIAL:SPI:MO DE? (see page 870)	<value> ::= {MOSI   MISO}
:SEARCH:SERIAL:SPI:PA TTern:DATA <string> (see page 871)	:SEARCH:SERIAL:SPI:PA TTern:DATA? (see page 871)	<string> ::= "0xnn...n" where n ::= {0,...,9   A,...,F   X}
:SEARCH:SERIAL:SPI:PA TTern:WIDTh <width> (see page 872)	:SEARCH:SERIAL:SPI:PA TTern:WIDTh? (see page 872)	<width> ::= integer from 1 to 10

**Table 47** :SEARCh:SERial:UART Commands Summary

Command	Query	Options and Query Returns
:SEARCh:SERial:UART:D ATA <value> (see page 874)	:SEARCh:SERial:UART:D ATA? (see page 874)	<value> ::= 8-bit integer from 0-255 (0x00-0xff) in decimal, <hexadecimal>, <binary>, or <quoted_string> format  <hexadecimal> ::= #Hnn where n ::= {0,...,9   A,...,F} for hexadecimal  <binary> ::= #Bnn...n where n ::= {0   1} for binary  <quoted_string> ::= any of the 128 valid 7-bit ASCII characters (or standard abbreviations)
:SEARCh:SERial:UART:M ODE <value> (see page 875)	:SEARCh:SERial:UART:M ODE? (see page 875)	<value> ::= {RDATa   RD1   RD0   RDX   TDATa   TD1   TD0   TDX   PARityerror   AERRor}
:SEARCh:SERial:UART:Q UALifier <value> (see page 876)	:SEARCh:SERial:UART:Q UALifier? (see page 876)	<value> ::= {EQUAL   NOTequal   GREaterthan   LESSthan}

**Table 48** :SYSTem Commands Summary

Command	Query	Options and Query Returns
:SYSTem:DATE <date> (see page 879)	:SYSTem:DATE? (see page 879)	<date> ::= <year>, <month>, <day>  <year> ::= 4-digit year in NR1 format  <month> ::= {1,...,12   JANuary   FEBruary   MARCH   APRil   MAY   JUNe   JULy   AUGust   SEPTember   OCTober   NOVember   DECember}  <day> ::= {1,..31}
n/a	:SYSTem:DIDentifier? (see page 880)	n/a
:SYSTem:DSP <string> (see page 881)	n/a	<string> ::= up to 75 characters as a quoted ASCII string
n/a	:SYSTem:ERRor? (see page 882)	<error> ::= an integer error code <error string> ::= quoted ASCII string.  See Error Messages (see page 1131).

**Table 48** :SYSTem Commands Summary (continued)

Command	Query	Options and Query Returns
:SYSTem:LOCK <value> (see <a href="#">page 883</a> )	:SYSTem:LOCK? (see <a href="#">page 883</a> )	<value> ::= {{1   ON}   {0   OFF}}
:SYSTem:MENU <menu> (see <a href="#">page 884</a> )	n/a	<menu> ::= {MASK   MEASure   SEGmented   LISTer   POWER}
:SYSTem:PRESet (see <a href="#">page 885</a> )	n/a	See :SYSTem:PRESet (see <a href="#">page 885</a> )
:SYSTem:PROTection:LOCK <value> (see <a href="#">page 888</a> )	:SYSTem:PROTection:LOCK? (see <a href="#">page 888</a> )	<value> ::= {{1   ON}   {0   OFF}}
:SYSTem:RLOGger <setting>[, <file_name>[, <write_mode>]] (see <a href="#">page 889</a> )	n/a	<setting> ::= {{0   OFF}   {1   ON}} <file_name> ::= quoted ASCII string <write_mode> ::= {CREate   APPend}
:SYSTem:RLOGger:DESTi nation <dest> (see <a href="#">page 890</a> )	:SYSTem:RLOGger:DESTi nation? (see <a href="#">page 890</a> )	<dest> ::= {FILE   SCReen   BOTH}
:SYSTem:RLOGger:DISPl ay {{0   OFF}   {1   ON}} (see <a href="#">page 891</a> )	:SYSTem:RLOGger:DISPl ay? (see <a href="#">page 891</a> )	<setting> ::= {0   1}
:SYSTem:RLOGger:FNAME <file_name> (see <a href="#">page 892</a> )	:SYSTem:RLOGger:FNAME? (see <a href="#">page 892</a> )	<file_name> ::= quoted ASCII string
:SYSTem:RLOGger:STATe {{0   OFF}   {1   ON}} (see <a href="#">page 893</a> )	:SYSTem:RLOGger:STATe? (see <a href="#">page 893</a> )	<setting> ::= {0   1}
:SYSTem:RLOGger:TRANs parent {{0   OFF}   {1   ON}} (see <a href="#">page 894</a> )	:SYSTem:RLOGger:TRANs parent? (see <a href="#">page 894</a> )	<setting> ::= {0   1}
:SYSTem:RLOGger:WMODe <write_mode> (see <a href="#">page 895</a> )	:SYSTem:RLOGger:WMODe? (see <a href="#">page 895</a> )	<write_mode> ::= {CREate   APPend}
:SYSTem:SETUp <setup_data> (see <a href="#">page 896</a> )	:SYSTem:SETUp? (see <a href="#">page 896</a> )	<setup_data> ::= data in IEEE 488.2 # format.
:SYSTem:TIME <time> (see <a href="#">page 898</a> )	:SYSTem:TIME? (see <a href="#">page 898</a> )	<time> ::= hours, minutes, seconds in NR1 format

**Table 49** :TIMEbase Commands Summary

Command	Query	Options and Query Returns
:TIMEbase:MODE <value> (see <a href="#">page 901</a> )	:TIMEbase:MODE? (see <a href="#">page 901</a> )	<value> ::= {MAIN   WINDow   XY   ROLL}
:TIMEbase:POSition <pos> (see <a href="#">page 902</a> )	:TIMEbase:POSition? (see <a href="#">page 902</a> )	<pos> ::= time from the trigger event to the display reference point in NR3 format
:TIMEbase:RANGe <range_value> (see <a href="#">page 903</a> )	:TIMEbase:RANGe? (see <a href="#">page 903</a> )	<range_value> ::= time for 10 div in seconds in NR3 format
:TIMEbase:REFerence {LEFT   CENTer   RIGHT} (see <a href="#">page 904</a> )	:TIMEbase:REFerence? (see <a href="#">page 904</a> )	<return_value> ::= {LEFT   CENTer   RIGHT}
:TIMEbase:SCALe <scale_value> (see <a href="#">page 905</a> )	:TIMEbase:SCALe? (see <a href="#">page 905</a> )	<scale_value> ::= time/div in seconds in NR3 format
:TIMEbase:VERNier {0   OFF}   {1   ON} (see <a href="#">page 906</a> )	:TIMEbase:VERNier? (see <a href="#">page 906</a> )	{0   1}
:TIMEbase:WINDow:POSition <pos> (see <a href="#">page 907</a> )	:TIMEbase:WINDow:POSition? (see <a href="#">page 907</a> )	<pos> ::= time from the trigger event to the zoomed view reference point in NR3 format
:TIMEbase:WINDow:RANGe <range_value> (see <a href="#">page 908</a> )	:TIMEbase:WINDow:RANGe? (see <a href="#">page 908</a> )	<range value> ::= range value in seconds in NR3 format for the zoomed window
:TIMEbase:WINDow:SCALe <scale_value> (see <a href="#">page 909</a> )	:TIMEbase:WINDow:SCALe? (see <a href="#">page 909</a> )	<scale_value> ::= scale value in seconds in NR3 format for the zoomed window

**Table 50** General :TRIGger Commands Summary

Command	Query	Options and Query Returns
:TRIGger:FORCe (see <a href="#">page 914</a> )	n/a	n/a
:TRIGger:HFReject {0   OFF}   {1   ON} (see <a href="#">page 915</a> )	:TRIGger:HFReject? (see <a href="#">page 915</a> )	{0   1}
:TRIGger:HOLDoff <holdoff_time> (see <a href="#">page 916</a> )	:TRIGger:HOLDoff? (see <a href="#">page 916</a> )	<holdoff_time> ::= 40 ns to 10 s in NR3 format
:TRIGger:LEVel:ASETup (see <a href="#">page 917</a> )	n/a	n/a

**Table 50** General :TRIGger Commands Summary (continued)

Command	Query	Options and Query Returns
:TRIGger:LEVel:HIGH <level>, <source> (see <a href="#">page 918</a> )	:TRIGger:LEVel:HIGH? <source> (see <a href="#">page 918</a> )	<level> ::= .75 x full-scale voltage from center screen in NR3 format.  <source> ::= CHANnel<n>  <n> ::= 1 to (# analog channels) in NR1 format
:TRIGger:LEVel:LOW <level>, <source> (see <a href="#">page 919</a> )	:TRIGger:LEVel:LOW? <source> (see <a href="#">page 919</a> )	<level> ::= .75 x full-scale voltage from center screen in NR3 format.  <source> ::= CHANnel<n>  <n> ::= 1 to (# analog channels) in NR1 format
:TRIGger:MODE <mode> (see <a href="#">page 920</a> )	:TRIGger:MODE? (see <a href="#">page 920</a> )	<mode> ::= {EDGE   GLITCh   PATtern   TV   DELay   EBURst   OR   RUNT   SHOLd   TRANSition   SBUS{1   2}   USB}  <return_value> ::= {<mode>   <none>}  <none> ::= query returns "NONE" if the :TIMEbase:MODE is ROLL or XY
:TRIGger:NREJect {{0   OFF}   {1   ON}} (see <a href="#">page 921</a> )	:TRIGger:NREJect? (see <a href="#">page 921</a> )	{0   1}
:TRIGger:SWEep <sweep> (see <a href="#">page 922</a> )	:TRIGger:SWEep? (see <a href="#">page 922</a> )	<sweep> ::= {AUTO   NORMal}

**Table 51** :TRIGger:DELAy Commands Summary

Command	Query	Options and Query Returns
:TRIGger:DELAy:ARM:SL OPe <slope> (see <a href="#">page 924</a> )	:TRIGger:DELAy:ARM:SL OPe? (see <a href="#">page 924</a> )	<slope> ::= {NEGative   POSitive}
:TRIGger:DELAy:ARM:SO URce <source> (see <a href="#">page 925</a> )	:TRIGger:DELAy:ARM:SO URce? (see <a href="#">page 925</a> )	<source> ::= {CHANnel<n>   DIGital<d>}  <n> ::= 1 to (# analog channels) in NR1 format  <d> ::= 0 to (# digital channels - 1) in NR1 format

**Table 51** :TRIGger:DElay Commands Summary (continued)

Command	Query	Options and Query Returns
:TRIGger:DElay:TDElay :TIME <time_value> (see <a href="#">page 926</a> )	:TRIGger:DElay:TDElay :TIME? (see <a href="#">page 926</a> )	<time_value> ::= time in seconds in NR3 format
:TRIGger:DElay:TRIGger:COUNT <count> (see <a href="#">page 927</a> )	:TRIGger:DElay:TRIGger:COUNT? (see <a href="#">page 927</a> )	<count> ::= integer in NR1 format
:TRIGger:DElay:TRIGger:SLOPe <slope> (see <a href="#">page 928</a> )	:TRIGger:DElay:TRIGger:SLOPe? (see <a href="#">page 928</a> )	<slope> ::= {NEGative   POSitive}
:TRIGger:DElay:TRIGger:SOURce <source> (see <a href="#">page 929</a> )	:TRIGger:DElay:TRIGger:SOURce? (see <a href="#">page 929</a> )	<source> ::= {CHANnel<n>   DIGital<d>}  <n> ::= 1 to (# analog channels) in NR1 format  <d> ::= 0 to (# digital channels - 1) in NR1 format

**Table 52** :TRIGger:EBURst Commands Summary

Command	Query	Options and Query Returns
:TRIGger:EBURst:COUNT <count> (see <a href="#">page 931</a> )	:TRIGger:EBURst:COUNT? (see <a href="#">page 931</a> )	<count> ::= integer in NR1 format
:TRIGger:EBURst:IDLE <time_value> (see <a href="#">page 932</a> )	:TRIGger:EBURst:IDLE? (see <a href="#">page 932</a> )	<time_value> ::= time in seconds in NR3 format
:TRIGger:EBURst:SLOPe <slope> (see <a href="#">page 933</a> )	:TRIGger:EBURst:SLOPe? (see <a href="#">page 933</a> )	<slope> ::= {NEGative   POSitive}
:TRIGger:EBURst:SOURce <source> (see <a href="#">page 934</a> )	:TRIGger:EBURst:SOURce? (see <a href="#">page 934</a> )	<source> ::= {CHANnel<n>   DIGital<d>}  <n> ::= 1 to (# analog channels) in NR1 format  <d> ::= 0 to (# digital channels - 1) in NR1 format



**Table 53** :TRIGger[:EDGE] Commands Summary

Command	Query	Options and Query Returns
:TRIGger[:EDGE]:COUPling {AC   DC   LFReject} (see <a href="#">page 936</a> )	:TRIGger[:EDGE]:COUPling? (see <a href="#">page 936</a> )	{AC   DC   LFReject}
:TRIGger[:EDGE]:LEVel <level> [, <source>] (see <a href="#">page 937</a> )	:TRIGger[:EDGE]:LEVel? [<source>] (see <a href="#">page 937</a> )	For internal triggers, <level> ::= .75 x full-scale voltage from center screen in NR3 format. For external triggers, <level> ::= ±(external range setting) in NR3 format. For digital channels (MSO models), <level> ::= ±8 V. <source> ::= {CHANnel<n>   EXTernal} for DSO models <source> ::= {CHANnel<n>   DIGital<d>   EXTernal} for MSO models <n> ::= 1 to (# analog channels) in NR1 format <d> ::= 0 to (# digital channels - 1) in NR1 format
:TRIGger[:EDGE]:REJect {OFF   LFReject   HFReject} (see <a href="#">page 938</a> )	:TRIGger[:EDGE]:REJect? (see <a href="#">page 938</a> )	{OFF   LFReject   HFReject}
:TRIGger[:EDGE]:SLOPe <polarity> (see <a href="#">page 939</a> )	:TRIGger[:EDGE]:SLOPe? (see <a href="#">page 939</a> )	<polarity> ::= {POSitive   NEGative   EITHer   ALTernate}
:TRIGger[:EDGE]:SOURCe <source> (see <a href="#">page 940</a> )	:TRIGger[:EDGE]:SOURCe? (see <a href="#">page 940</a> )	<source> ::= {CHANnel<n>   EXTernal   LINE   WGEN} for the DSO models <source> ::= {CHANnel<n>   DIGital<d>   EXTernal   LINE   WGEN} for the MSO models <n> ::= 1 to (# analog channels) in NR1 format <d> ::= 0 to (# digital channels - 1) in NR1 format

**Table 54** :TRIGger:GLITch Commands Summary

Command	Query	Options and Query Returns
:TRIGger:GLITch:GREAt erthan <greater_than_time>[s uffix] (see <a href="#">page 943</a> )	:TRIGger:GLITch:GREAt erthan? (see <a href="#">page 943</a> )	<greater_than_time> ::= floating-point number in NR3 format  [suffix] ::= {s   ms   us   ns   ps}
:TRIGger:GLITch:LESSt han <less_than_time>[suff ix] (see <a href="#">page 944</a> )	:TRIGger:GLITch:LESSt han? (see <a href="#">page 944</a> )	<less_than_time> ::= floating-point number in NR3 format  [suffix] ::= {s   ms   us   ns   ps}
:TRIGger:GLITch:LEVEl <level> [<source>] (see <a href="#">page 945</a> )	:TRIGger:GLITch:LEVEl ? (see <a href="#">page 945</a> )	For internal triggers, <level> ::= .75 x full-scale voltage from center screen in NR3 format.  For external triggers (DSO models), <level> ::= ±(external range setting) in NR3 format.  For digital channels (MSO models), <level> ::= ±8 V.  <source> ::= {CHANnel<n>   EXTernal} for DSO models  <source> ::= {CHANnel<n>   DIGital<d>} for MSO models  <n> ::= 1 to (# analog channels) in NR1 format  <d> ::= 0 to (# digital channels - 1) in NR1 format
:TRIGger:GLITch:POLAr ity <polarity> (see <a href="#">page 946</a> )	:TRIGger:GLITch:POLAr ity? (see <a href="#">page 946</a> )	<polarity> ::= {POSitive   NEGative}
:TRIGger:GLITch:QUALi fier <qualifier> (see <a href="#">page 947</a> )	:TRIGger:GLITch:QUALi fier? (see <a href="#">page 947</a> )	<qualifier> ::= {GREATERthan   LESSthan   RANGE}

**Table 54** :TRIGger:GLITch Commands Summary (continued)

Command	Query	Options and Query Returns
:TRIGger:GLITch:RANGe <less_than_time>[suffix], <greater_than_time>[suffix] (see <a href="#">page 948</a> )	:TRIGger:GLITch:RANGe? (see <a href="#">page 948</a> )	<less_than_time> ::= 15 ns to 10 seconds in NR3 format <greater_than_time> ::= 10 ns to 9.99 seconds in NR3 format [suffix] ::= {s   ms   us   ns   ps}
:TRIGger:GLITch:SOURce <source> (see <a href="#">page 949</a> )	:TRIGger:GLITch:SOURce? (see <a href="#">page 949</a> )	<source> ::= {CHANnel<n>   DIGital<d>} <n> ::= 1 to (# analog channels) in NR1 format <d> ::= 0 to (# digital channels - 1) in NR1 format

**Table 55** :TRIGger:OR Commands Summary

Command	Query	Options and Query Returns
:TRIGger:OR <string> (see <a href="#">page 951</a> )	:TRIGger:OR? (see <a href="#">page 951</a> )	<string> ::= "nn...n" where n ::= {R   F   E   X} R = rising edge, F = falling edge, E = either edge, X = don't care. Each character in the string is for an analog or digital channel as shown on the front panel display.

**Table 56** :TRIGger:PATtern Commands Summary

Command	Query	Options and Query Returns
:TRIGger:PATtern <string>[,<edge_source>,<edge>] (see <a href="#">page 953</a> )	:TRIGger:PATtern? (see <a href="#">page 954</a> )	<string> ::= "nn...n" where n ::= {0   1   X   R   F} when <base> = ASCII <string> ::= "0xnn...n" where n ::= {0,...,9   A,...,F   X   \$} when <base> = HEX  <edge_source> ::= {CHANnel<n>   NONE} for DSO models  <edge_source> ::= {CHANnel<n>   DIGital<d>   NONE} for MSO models  <n> ::= 1 to (# analog channels) in NR1 format  <d> ::= 0 to (# digital channels - 1) in NR1 format  <edge> ::= {POSitive   NEGative}
:TRIGger:PATtern:FORM at <base> (see <a href="#">page 955</a> )	:TRIGger:PATtern:FORM at? (see <a href="#">page 955</a> )	<base> ::= {ASCII   HEX}
:TRIGger:PATtern:GREa terthan <greater_than_time>[suffix] (see <a href="#">page 956</a> )	:TRIGger:PATtern:GREa terthan? (see <a href="#">page 956</a> )	<greater_than_time> ::= floating-point number in NR3 format  [suffix] ::= {s   ms   us   ns   ps}
:TRIGger:PATtern:LESS than <less_than_time>[suffix] (see <a href="#">page 957</a> )	:TRIGger:PATtern:LESS than? (see <a href="#">page 957</a> )	<less_than_time> ::= floating-point number in NR3 format  [suffix] ::= {s   ms   us   ns   ps}
:TRIGger:PATtern:QUAL ifier <qualifier> (see <a href="#">page 958</a> )	:TRIGger:PATtern:QUAL ifier? (see <a href="#">page 958</a> )	<qualifier> ::= {ENTERed   GREaterthan   LESSthan   INRange   OUTRange   TIMEout}
:TRIGger:PATtern:RANG e <less_than_time>[suffix], <greater_than_time>[suffix] (see <a href="#">page 959</a> )	:TRIGger:PATtern:RANG e? (see <a href="#">page 959</a> )	<less_than_time> ::= 15 ns to 10 seconds in NR3 format  <greater_than_time> ::= 10 ns to 9.99 seconds in NR3 format  [suffix] ::= {s   ms   us   ns   ps}

**Table 57** :TRIGger:RUNT Commands Summary

Command	Query	Options and Query Returns
:TRIGger:RUNT:POLarity <polarity> (see page 961)	:TRIGger:RUNT:POLarity? (see page 961)	<polarity> ::= {POSitive   NEGative   EITHER}
:TRIGger:RUNT:QUALifier <qualifier> (see page 962)	:TRIGger:RUNT:QUALifier? (see page 962)	<qualifier> ::= {GREaterthan   LESSthan   NONE}
:TRIGger:RUNT:SOURce <source> (see page 963)	:TRIGger:RUNT:SOURce? (see page 963)	<source> ::= CHANNEL<n> <n> ::= 1 to (# analog channels) in NR1 format
:TRIGger:RUNT:TIME <time>[suffix] (see page 964)	:TRIGger:RUNT:TIME? (see page 964)	<time> ::= floating-point number in NR3 format [suffix] ::= {s   ms   us   ns   ps}

**Table 58** :TRIGger:SHOLd Commands Summary

Command	Query	Options and Query Returns
:TRIGger:SHOLd:SLOPe <slope> (see page 966)	:TRIGger:SHOLd:SLOPe? (see page 966)	<slope> ::= {NEGative   POSitive}
:TRIGger:SHOLd:SOURce :CLOCK <source> (see page 967)	:TRIGger:SHOLd:SOURce :CLOCK? (see page 967)	<source> ::= {CHANNEL<n>   DIGital<d>} <n> ::= 1 to (# analog channels) in NR1 format <d> ::= 0 to (# digital channels - 1) in NR1 format
:TRIGger:SHOLd:SOURce :DATA <source> (see page 968)	:TRIGger:SHOLd:SOURce :DATA? (see page 968)	<source> ::= {CHANNEL<n>   DIGital<d>} <n> ::= 1 to (# analog channels) in NR1 format <d> ::= 0 to (# digital channels - 1) in NR1 format
:TRIGger:SHOLd:TIME:HOLD <time>[suffix] (see page 969)	:TRIGger:SHOLd:TIME:HOLD? (see page 969)	<time> ::= floating-point number in NR3 format [suffix] ::= {s   ms   us   ns   ps}
:TRIGger:SHOLd:TIME:SETup <time>[suffix] (see page 970)	:TRIGger:SHOLd:TIME:SETup? (see page 970)	<time> ::= floating-point number in NR3 format [suffix] ::= {s   ms   us   ns   ps}

**Table 59** :TRIGger:TRANSition Commands Summary

Command	Query	Options and Query Returns
:TRIGger:TRANSition:QUALifier <qualifier> (see <a href="#">page 972</a> )	:TRIGger:TRANSition:QUALifier? (see <a href="#">page 972</a> )	<qualifier> ::= {GREATERthan   LESSthan}
:TRIGger:TRANSition:SLOPe <slope> (see <a href="#">page 973</a> )	:TRIGger:TRANSition:SLOPe? (see <a href="#">page 973</a> )	<slope> ::= {NEGative   POSitive}
:TRIGger:TRANSition:SOURce <source> (see <a href="#">page 974</a> )	:TRIGger:TRANSition:SOURce? (see <a href="#">page 974</a> )	<source> ::= CHANNEL<n> <n> ::= 1 to (# analog channels) in NR1 format
:TRIGger:TRANSition:TIME <time>[suffix] (see <a href="#">page 975</a> )	:TRIGger:TRANSition:TIME? (see <a href="#">page 975</a> )	<time> ::= floating-point number in NR3 format [suffix] ::= {s   ms   us   ns   ps}

**Table 60** :TRIGger:TV Commands Summary

Command	Query	Options and Query Returns
:TRIGger:TV:LINE <line number> (see <a href="#">page 977</a> )	:TRIGger:TV:LINE? (see <a href="#">page 977</a> )	<line number> ::= integer in NR1 format
:TRIGger:TV:MODE <tv mode> (see <a href="#">page 978</a> )	:TRIGger:TV:MODE? (see <a href="#">page 978</a> )	<tv mode> ::= {FIELD1   FIELD2   AFIELDS   ALINES   LINE   LFIELD1   LFIELD2   LALternate}
:TRIGger:TV:POLarity <polarity> (see <a href="#">page 979</a> )	:TRIGger:TV:POLarity? (see <a href="#">page 979</a> )	<polarity> ::= {POSitive   NEGative}
:TRIGger:TV:SOURce <source> (see <a href="#">page 980</a> )	:TRIGger:TV:SOURce? (see <a href="#">page 980</a> )	<source> ::= {CHANNEL<n>} <n> ::= 1 to (# analog channels) in NR1 format
:TRIGger:TV:STANdard <standard> (see <a href="#">page 981</a> )	:TRIGger:TV:STANdard? (see <a href="#">page 981</a> )	<standard> ::= {NTSC   PAL   PALM   SECam}  <standard> ::= {GENeric   {P480L60HZ   P480}   {P720L60HZ   P720}   {P1080L24HZ   P1080}   P1080L25HZ   P1080L50HZ   P1080L60HZ   {I1080L50HZ   I1080}   I1080L60HZ} with extended video triggering license

**Table 60** :TRIGger:TV Commands Summary (continued)

Command	Query	Options and Query Returns
:TRIGger:TV:UDTV:ENUM ber <count> (see page 982)	:TRIGger:TV:UDTV:ENUM ber? (see page 982)	<count> ::= edge number in NR1 format
:TRIGger:TV:UDTV:HSYN c {{0   OFF}   {1   ON}} (see page 983)	:TRIGger:TV:UDTV:HSYN c? (see page 983)	{0   1}
:TRIGger:TV:UDTV:HTIM e <time> (see page 984)	:TRIGger:TV:UDTV:HTIM e? (see page 984)	<time> ::= seconds in NR3 format
:TRIGger:TV:UDTV:PGTH an <min_time> (see page 985)	:TRIGger:TV:UDTV:PGTH an? (see page 985)	<min_time> ::= seconds in NR3 format

**Table 61** :TRIGger:USB Commands Summary

Command	Query	Options and Query Returns
:TRIGger:USB:SOURce:D MINus <source> (see page 987)	:TRIGger:USB:SOURce:D MINus? (see page 987)	<source> ::= {CHANnel<n>   EXTernal} for the DSO models  <source> ::= {CHANnel<n>   DIGital<d>} for the MSO models  <n> ::= 1 to (# analog channels) in NR1 format  <d> ::= 0 to (# digital channels - 1) in NR1 format
:TRIGger:USB:SOURce:D PLus <source> (see page 988)	:TRIGger:USB:SOURce:D PLus? (see page 988)	<source> ::= {CHANnel<n>   EXTernal} for the DSO models  <source> ::= {CHANnel<n>   DIGital<d>} for the MSO models  <n> ::= 1 to (# analog channels) in NR1 format  <d> ::= 0 to (# digital channels - 1) in NR1 format
:TRIGger:USB:SPEed <value> (see page 989)	:TRIGger:USB:SPEed? (see page 989)	<value> ::= {LOW   FULL}
:TRIGger:USB:TRIGger <value> (see page 990)	:TRIGger:USB:TRIGger? (see page 990)	<value> ::= {SOP   EOP   ENTersuspend   EXITsuspend   RESet}

**Table 62** :WAVEform Commands Summary

Command	Query	Options and Query Returns
:WAVEform:BYTeorder <value> (see <a href="#">page 999</a> )	:WAVEform:BYTeorder? (see <a href="#">page 999</a> )	<value> ::= {LSBFirst   MSBFirst}
n/a	:WAVEform:COUNT? (see <a href="#">page 1000</a> )	<count> ::= an integer from 1 to 65536 in NR1 format
n/a	:WAVEform:DATA? (see <a href="#">page 1001</a> )	<binary block length bytes>, <binary data>  For example, to transmit 1000 bytes of data, the syntax would be: #800001000<1000 bytes of data><NL>  8 is the number of digits that follow  00001000 is the number of bytes to be transmitted  <1000 bytes of data> is the actual data
:WAVEform:FORMat <value> (see <a href="#">page 1003</a> )	:WAVEform:FORMat? (see <a href="#">page 1003</a> )	<value> ::= {WORD   BYTE   ASCII}
:WAVEform:POINTs <# points> (see <a href="#">page 1004</a> )	:WAVEform:POINTs? (see <a href="#">page 1004</a> )	<# points> ::= {100   250   500   1000   <points_mode>} if waveform points mode is NORMAl  <# points> ::= {100   250   500   1000   2000 ... 8000000 in 1-2-5 sequence   <points_mode>} if waveform points mode is MAXimum or RAW  <points_mode> ::= {NORMAl   MAXimum   RAW}
:WAVEform:POINTs:MODE <points_mode> (see <a href="#">page 1006</a> )	:WAVEform:POINTs:MODE? (see <a href="#">page 1007</a> )	<points_mode> ::= {NORMAl   MAXimum   RAW}



**Table 62** :WAVeform Commands Summary (continued)

Command	Query	Options and Query Returns
n/a	:WAVeform:PREAmble? (see <a href="#">page 1008</a> )	<p>&lt;preamble_block&gt; ::= &lt;format NR1&gt;, &lt;type NR1&gt;,&lt;points NR1&gt;,&lt;count NR1&gt;, &lt;xincrement NR3&gt;, &lt;xorigin NR3&gt;, &lt;xreference NR1&gt;,&lt;yincrement NR3&gt;, &lt;yorigin NR3&gt;, &lt;yreference NR1&gt;</p> <p>&lt;format&gt; ::= an integer in NR1 format:</p> <ul style="list-style-type: none"> <li>• 0 for BYTE format</li> <li>• 1 for WORD format</li> <li>• 2 for ASCii format</li> </ul> <p>&lt;type&gt; ::= an integer in NR1 format:</p> <ul style="list-style-type: none"> <li>• 0 for NORMAl type</li> <li>• 1 for PEAK detect type</li> <li>• 3 for AVERAge type</li> <li>• 4 for HRESolution type</li> </ul> <p>&lt;count&gt; ::= Average count, or 1 if PEAK detect type or NORMAl; an integer in NR1 format</p>
n/a	:WAVeform:SEGmented:COUnT? (see <a href="#">page 1011</a> )	<count> ::= an integer from 2 to 1000 in NR1 format (with Option SGM)
n/a	:WAVeform:SEGmented:TAG? (see <a href="#">page 1012</a> )	<time_tag> ::= in NR3 format (with Option SGM)
:WAVeform:SOURce <source> (see <a href="#">page 1013</a> )	:WAVeform:SOURce? (see <a href="#">page 1013</a> )	<p>&lt;source&gt; ::= {CHANnel&lt;n&gt;   FUNCTION   MATH   SBUS{1   2}} for DSO models</p> <p>&lt;source&gt; ::= {CHANnel&lt;n&gt;   POD{1   2}   BUS{1   2}   FUNCTION   MATH   SBUS{1   2}} for MSO models</p> <p>&lt;n&gt; ::= 1 to (# analog channels) in NR1 format</p>
:WAVeform:SOURce:SUBSourCe <subsource> (see <a href="#">page 1017</a> )	:WAVeform:SOURce:SUBSourCe? (see <a href="#">page 1017</a> )	<subsource> ::= {{SUB0   RX   MOSI}   {SUB1   TX   MISO}}
n/a	:WAVeform:TYPE? (see <a href="#">page 1018</a> )	<return_mode> ::= {NORM   PEAK   AVER   HRES}
:WAVeform:UNSigned {{0   OFF}   {1   ON}} (see <a href="#">page 1019</a> )	:WAVeform:UNSigned? (see <a href="#">page 1019</a> )	{0   1}

**Table 62** :WAVeform Commands Summary (continued)

Command	Query	Options and Query Returns
:WAVeform:VIEW <view> (see <a href="#">page 1020</a> )	:WAVeform:VIEW? (see <a href="#">page 1020</a> )	<view> ::= {MAIN}
n/a	:WAVeform:XINCrement? (see <a href="#">page 1021</a> )	<return_value> ::= x-increment in the current preamble in NR3 format
n/a	:WAVeform:XORigin? (see <a href="#">page 1022</a> )	<return_value> ::= x-origin value in the current preamble in NR3 format
n/a	:WAVeform:XREFerence? (see <a href="#">page 1023</a> )	<return_value> ::= 0 (x-reference value in the current preamble in NR1 format)
n/a	:WAVeform:YINCrement? (see <a href="#">page 1024</a> )	<return_value> ::= y-increment value in the current preamble in NR3 format
n/a	:WAVeform:YORigin? (see <a href="#">page 1025</a> )	<return_value> ::= y-origin in the current preamble in NR3 format
n/a	:WAVeform:YREFerence? (see <a href="#">page 1026</a> )	<return_value> ::= y-reference value in the current preamble in NR1 format

**Table 63** :WGEN Commands Summary

Command	Query	Options and Query Returns
:WGEN:ARBitrary:BYTeo rder <order> (see <a href="#">page 1031</a> )	:WGEN:ARBitrary:BYTeo rder? (see <a href="#">page 1031</a> )	<order> ::= {MSBFirst   LSBFirst}
:WGEN:ARBitrary:DATA {<binary>   <value>, <value> ...} (see <a href="#">page 1032</a> )	n/a	<binary> ::= single-precision floating point values between -1.0 to +1.0 in IEEE 488.2 binary block format  <value> ::= floating point values between -1.0 to +1.0 in comma-separated format
n/a	:WGEN:ARBitrary:DATA: ATTRibute:POINTs? (see <a href="#">page 1035</a> )	<points> ::= number of points in NR1 format
:WGEN:ARBitrary:DATA: CLEar (see <a href="#">page 1036</a> )	n/a	n/a

**Table 63** :WGEN Commands Summary (continued)

Command	Query	Options and Query Returns
:WGEN:ARbitrary:DATA: DAC {<binary>   <value>, <value> ...} (see <a href="#">page 1037</a> )	n/a	<binary> ::= decimal 16-bit integer values between -512 to +511 in IEEE 488.2 binary block format  <value> ::= decimal integer values between -512 to +511 in comma-separated NR1 format
:WGEN:ARbitrary:INTERpolate {{0   OFF}   {1   ON}} (see <a href="#">page 1038</a> )	:WGEN:ARbitrary:INTERpolate? (see <a href="#">page 1038</a> )	{0   1}
:WGEN:ARbitrary:STORE <source> (see <a href="#">page 1039</a> )	n/a	<source> ::= {CHANNEL<n>   WMemory<r>   FUNCTION   MATH}  <n> ::= 1 to (# analog channels) in NR1 format  <r> ::= 1-2 in NR1 format
:WGEN:FREQUENCY <frequency> (see <a href="#">page 1040</a> )	:WGEN:FREQUENCY? (see <a href="#">page 1040</a> )	<frequency> ::= frequency in Hz in NR3 format
:WGEN:FUNCTION <signal> (see <a href="#">page 1041</a> )	:WGEN:FUNCTION? (see <a href="#">page 1044</a> )	<signal> ::= {SINusoid   SQUARE   RAMP   PULSe   NOISE   DC   SINC   EXPRise   EXPFall   CARDiac   GAUSSian   ARbitrary}
:WGEN:FUNCTION:PULSe:WIDTH <width> (see <a href="#">page 1045</a> )	:WGEN:FUNCTION:PULSe:WIDTH? (see <a href="#">page 1045</a> )	<width> ::= pulse width in seconds in NR3 format
:WGEN:FUNCTION:RAMP:SYMMetry <percent> (see <a href="#">page 1046</a> )	:WGEN:FUNCTION:RAMP:SYMMetry? (see <a href="#">page 1046</a> )	<percent> ::= symmetry percentage from 0% to 100% in NR1 format
:WGEN:FUNCTION:SQUARE:DCYCLE <percent> (see <a href="#">page 1047</a> )	:WGEN:FUNCTION:SQUARE:DCYCLE? (see <a href="#">page 1047</a> )	<percent> ::= duty cycle percentage from 20% to 80% in NR1 format
:WGEN:MODulation:AM:DEPTH <percent> (see <a href="#">page 1048</a> )	:WGEN:MODulation:AM:DEPTH? (see <a href="#">page 1048</a> )	<percent> ::= AM depth percentage from 0% to 100% in NR1 format
:WGEN:MODulation:AM:FREQUENCY <frequency> (see <a href="#">page 1049</a> )	:WGEN:MODulation:AM:FREQUENCY? (see <a href="#">page 1049</a> )	<frequency> ::= modulating waveform frequency in Hz in NR3 format
:WGEN:MODulation:FM:DEVIATION <frequency> (see <a href="#">page 1050</a> )	:WGEN:MODulation:FM:DEVIATION? (see <a href="#">page 1050</a> )	<frequency> ::= frequency deviation in Hz in NR3 format

**Table 63** :WGEN Commands Summary (continued)

Command	Query	Options and Query Returns
:WGEN:MODulation:FM:FREQuency <frequency> (see <a href="#">page 1051</a> )	:WGEN:MODulation:FM:FREQuency? (see <a href="#">page 1051</a> )	<frequency> ::= modulating waveform frequency in Hz in NR3 format
:WGEN:MODulation:FSKey:FREQuency <percent> (see <a href="#">page 1052</a> )	:WGEN:MODulation:FSKey:FREQuency? (see <a href="#">page 1052</a> )	<frequency> ::= hop frequency in Hz in NR3 format
:WGEN:MODulation:FSKey:RATE <rate> (see <a href="#">page 1053</a> )	:WGEN:MODulation:FSKey:RATE? (see <a href="#">page 1053</a> )	<rate> ::= FSK modulation rate in Hz in NR3 format
:WGEN:MODulation:FUNCTION <shape> (see <a href="#">page 1054</a> )	:WGEN:MODulation:FUNCTION? (see <a href="#">page 1054</a> )	<shape> ::= {SINusoid   SQUARE   RAMP}
:WGEN:MODulation:FUNCTION:RAMP:SYMMetry <percent> (see <a href="#">page 1055</a> )	:WGEN:MODulation:FUNCTION:RAMP:SYMMetry? (see <a href="#">page 1055</a> )	<percent> ::= symmetry percentage from 0% to 100% in NR1 format
:WGEN:MODulation:NOISe <percent> (see <a href="#">page 1056</a> )	:WGEN:MODulation:NOISe? (see <a href="#">page 1056</a> )	<percent> ::= 0 to 100
:WGEN:MODulation:STATe {{0   OFF}   {1   ON}} (see <a href="#">page 1057</a> )	:WGEN:MODulation:STATe? (see <a href="#">page 1057</a> )	{0   1}
:WGEN:MODulation:TYPE <type> (see <a href="#">page 1058</a> )	:WGEN:MODulation:TYPE? (see <a href="#">page 1058</a> )	<type> ::= {AM   FM   FSK}
:WGEN:OUTPut {{0   OFF}   {1   ON}} (see <a href="#">page 1060</a> )	:WGEN:OUTPut? (see <a href="#">page 1060</a> )	{0   1}
:WGEN:OUTPut:LOAD <impedance> (see <a href="#">page 1061</a> )	:WGEN:OUTPut:LOAD? (see <a href="#">page 1061</a> )	<impedance> ::= {ONEMeg   FIFTy}
:WGEN:PERiod <period> (see <a href="#">page 1062</a> )	:WGEN:PERiod? (see <a href="#">page 1062</a> )	<period> ::= period in seconds in NR3 format
:WGEN:RST (see <a href="#">page 1063</a> )	n/a	n/a
:WGEN:VOLTage <amplitude> (see <a href="#">page 1064</a> )	:WGEN:VOLTage? (see <a href="#">page 1064</a> )	<amplitude> ::= amplitude in volts in NR3 format
:WGEN:VOLTage:HIGH <high> (see <a href="#">page 1065</a> )	:WGEN:VOLTage:HIGH? (see <a href="#">page 1065</a> )	<high> ::= high-level voltage in volts, in NR3 format

**Table 63** :WGEN Commands Summary (continued)

Command	Query	Options and Query Returns
:WGEN:VOLTage:LOW <low> (see <a href="#">page 1066</a> )	:WGEN:VOLTage:LOW? (see <a href="#">page 1066</a> )	<low> ::= low-level voltage in volts, in NR3 format
:WGEN:VOLTage:OFFSet <offset> (see <a href="#">page 1067</a> )	:WGEN:VOLTage:OFFSet? (see <a href="#">page 1067</a> )	<offset> ::= offset in volts in NR3 format

**Table 64** :WMEMory<r> Commands Summary

Command	Query	Options and Query Returns
:WMEMory<r>:CLEar (see <a href="#">page 1071</a> )	n/a	<r> ::= 1-2 in NR1 format
:WMEMory<r>:DISPlay { {0   OFF}   {1   ON} } (see <a href="#">page 1072</a> )	:WMEMory<r>:DISPlay? (see <a href="#">page 1072</a> )	<r> ::= 1-2 in NR1 format { 0   1 }
:WMEMory<r>:LABel <string> (see <a href="#">page 1073</a> )	:WMEMory<r>:LABel? (see <a href="#">page 1073</a> )	<r> ::= 1-2 in NR1 format <string> ::= any series of 10 or less ASCII characters enclosed in quotation marks
:WMEMory<r>:SAVE <source> (see <a href="#">page 1074</a> )	n/a	<r> ::= 1-2 in NR1 format <source> ::= {CHANnel<n>   FUNction   MATH} <n> ::= 1 to (# analog channels) in NR1 format NOTE: Only ADD or SUBtract math operations can be saved as reference waveforms.
:WMEMory<r>:SKEW <skew> (see <a href="#">page 1075</a> )	:WMEMory<r>:SKEW? (see <a href="#">page 1075</a> )	<r> ::= 1-2 in NR1 format <skew> ::= time in seconds in NR3 format
:WMEMory<r>:YOFFset <offset>[suffix] (see <a href="#">page 1076</a> )	:WMEMory<r>:YOFFset? (see <a href="#">page 1076</a> )	<r> ::= 1-2 in NR1 format <offset> ::= vertical offset value in NR3 format [suffix] ::= {V   mV}

**Table 64** :WMEemory<r> Commands Summary (continued)

Command	Query	Options and Query Returns
:WMEemory<r>:YRANge <range>[suffix] (see page 1077)	:WMEemory<r>:YRANge? (see page 1077)	<r> ::= 1-2 in NR1 format <range> ::= vertical full-scale range value in NR3 format [suffix] ::= {V   mV}
:WMEemory<r>:YSCale <scale>[suffix] (see page 1078)	:WMEemory<r>:YSCale? (see page 1078)	<r> ::= 1-2 in NR1 format <scale> ::= vertical units per division value in NR3 format [suffix] ::= {V   mV}

## Syntax Elements

- **"Number Format"** on page 167
- **"<NL> (Line Terminator)"** on page 167
- **"[ ] (Optional Syntax Terms)"** on page 167
- **"{ } (Braces)"** on page 167
- **"::= (Defined As)"** on page 167
- **"< > (Angle Brackets)"** on page 168
- **"... (Ellipsis)"** on page 168
- **"n,...,p (Value Ranges)"** on page 168
- **"d (Digits)"** on page 168
- **"Quoted ASCII String"** on page 168
- **"Definite-Length Block Response Data"** on page 168

### Number Format

NR1 specifies integer data.

NR3 specifies exponential data in floating point format (for example, -1.0E-3).

### <NL> (Line Terminator)

<NL> = new line or linefeed (ASCII decimal 10).

The line terminator, or a leading colon, will send the parser to the "root" of the command tree.

### [ ] (Optional Syntax Terms)

Items enclosed in square brackets, [ ], are optional.

### { } (Braces)

When several items are enclosed by braces, { }, only one of these elements may be selected. Vertical line ( | ) indicates "or". For example, {ON | OFF} indicates that only ON or OFF may be selected, not both.

### ::= (Defined As)

::= means "defined as".

For example, <A> ::= <B> indicates that <A> can be replaced by <B> in any statement containing <A>.

### < > (Angle Brackets)

< > Angle brackets enclose words or characters that symbolize a program code parameter or an interface command.

### ... (Ellipsis)

... An ellipsis (trailing dots) indicates that the preceding element may be repeated one or more times.

### n,...,p (Value Ranges)

n,...,p ::= all integers between n and p inclusive.

### d (Digits)

d ::= A single ASCII numeric character 0 - 9.

### Quoted ASCII String

A quoted ASCII string is a string delimited by either double quotes (") or single quotes ('). Some command parameters require a quoted ASCII string. For example, when using the Keysight VISA COM library in Visual Basic, the command:

```
myScope.WriteString ":CHANNEL1:LABEL 'One' "
```

has a quoted ASCII string of:

```
'One'
```

In order to read quoted ASCII strings from query return values, some programming languages require special handling or syntax.

### Definite-Length Block Response Data

Definite-length block response data allows any type of device-dependent data to be transmitted over the system interface as a series of 8-bit binary data bytes. This is particularly useful for sending large quantities of data or 8-bit extended ASCII codes. This syntax is a pound sign (#) followed by a non-zero digit representing the number of digits in the decimal integer. After the non-zero digit is the decimal integer that states the number of 8-bit data bytes being sent. This is followed by the actual data.

For example, for transmitting 1000 bytes of data, the syntax would be

```
#800001000<1000 bytes of data> <NL>
```

**8** is the number of digits that follow

**00001000** is the number of bytes to be transmitted



**<1000 bytes of data>** is the actual data



## 5 Common (\*) Commands

Commands defined by IEEE 488.2 standard that are common to all instruments. See "[Introduction to Common \(\\*\) Commands](#)" on page 174.

**Table 65** Common (\*) Commands Summary

Command	Query	Options and Query Returns																																				
*CLS (see <a href="#">page 176</a> )	n/a	n/a																																				
*ESE <mask> (see <a href="#">page 177</a> )	*ESE? (see <a href="#">page 177</a> )	<p>&lt;mask&gt; ::= 0 to 255; an integer in NR1 format:</p> <table border="1"> <thead> <tr> <th>Bit</th> <th>Weight</th> <th>Name</th> <th>Enables</th> </tr> </thead> <tbody> <tr> <td>7</td> <td>128</td> <td>PON</td> <td>Power On</td> </tr> <tr> <td>6</td> <td>64</td> <td>URQ</td> <td>User Request</td> </tr> <tr> <td>5</td> <td>32</td> <td>CME</td> <td>Command Error</td> </tr> <tr> <td>4</td> <td>16</td> <td>EXE</td> <td>Execution Error</td> </tr> <tr> <td>3</td> <td>8</td> <td>DDE</td> <td>Dev. Dependent Error</td> </tr> <tr> <td>2</td> <td>4</td> <td>QYE</td> <td>Query Error</td> </tr> <tr> <td>1</td> <td>2</td> <td>RQL</td> <td>Request Control</td> </tr> <tr> <td>0</td> <td>1</td> <td>OPC</td> <td>Operation Complete</td> </tr> </tbody> </table>	Bit	Weight	Name	Enables	7	128	PON	Power On	6	64	URQ	User Request	5	32	CME	Command Error	4	16	EXE	Execution Error	3	8	DDE	Dev. Dependent Error	2	4	QYE	Query Error	1	2	RQL	Request Control	0	1	OPC	Operation Complete
Bit	Weight	Name	Enables																																			
7	128	PON	Power On																																			
6	64	URQ	User Request																																			
5	32	CME	Command Error																																			
4	16	EXE	Execution Error																																			
3	8	DDE	Dev. Dependent Error																																			
2	4	QYE	Query Error																																			
1	2	RQL	Request Control																																			
0	1	OPC	Operation Complete																																			
n/a	*ESR? (see <a href="#">page 179</a> )	<status> ::= 0 to 255; an integer in NR1 format																																				
n/a	*IDN? (see <a href="#">page 179</a> )	<p>AGILENT TECHNOLOGIES,&lt;model&gt;,&lt;serial number&gt;,X.XX.XX</p> <p>&lt;model&gt; ::= the model number of the instrument</p> <p>&lt;serial number&gt; ::= the serial number of the instrument</p> <p>&lt;X.XX.XX&gt; ::= the software revision of the instrument</p>																																				
n/a	*LRN? (see <a href="#">page 182</a> )	<learn_string> ::= current instrument setup as a block of data in IEEE 488.2 # format																																				

**Table 65** Common (\*) Commands Summary (continued)

Command	Query	Options and Query Returns
*OPC (see <a href="#">page 183</a> )	*OPC? (see <a href="#">page 183</a> )	ASCII "1" is placed in the output queue when all pending device operations have completed.
n/a	*OPT? (see <a href="#">page 184</a> )	<pre> &lt;return_value&gt; ::= 0,0,&lt;license info&gt; &lt;license info&gt; ::= &lt;All field&gt;, &lt;reserved&gt;, &lt;MSO&gt;, &lt;reserved&gt;, &lt;Memory&gt;, &lt;Low Speed Serial&gt;, &lt;Automotive Serial&gt;, &lt;reserved&gt;, &lt;FlexRay Serial&gt;, &lt;Power Measurements&gt;, &lt;RS-232/UART Serial&gt;, &lt;Segmented Memory&gt;, &lt;Mask Test&gt;, &lt;reserved&gt;, &lt;reserved&gt;, &lt;Bandwidth&gt;, &lt;reserved&gt;, &lt;reserved&gt;, &lt;I2S Serial&gt;, &lt;reserved&gt;, &lt;Educator's Kit&gt;, &lt;Waveform Generator&gt;, &lt;MIL-1553/ARINC 429 Serial&gt;, &lt;Extended Video&gt;, &lt;Advanced Math&gt;, &lt;reserved&gt;, &lt;reserved&gt;, &lt;reserved&gt;, &lt;Digital Voltmeter&gt;, &lt;reserved&gt;, &lt;reserved&gt;, &lt;reserved&gt;, &lt;Remote Command Logging&gt;, &lt;reserved&gt;, &lt;reserved&gt;, &lt;reserved&gt;, &lt;reserved&gt;, &lt;reserved&gt;, &lt;Automotive Software&gt;, &lt;General Purpose Software&gt;, &lt;Aerospace Software&gt;, &lt;Power Supply Test Software&gt;, &lt;Software Bundle&gt; </pre>

**Table 65** Common (\*) Commands Summary (continued)

Command	Query	Options and Query Returns
		<pre> &lt;All field&gt; ::= {0   All} &lt;reserved&gt; ::= 0 &lt;MSO&gt; ::= {0   MSO} &lt;Memory&gt; ::= {0   MEMUP} &lt;Low Speed Serial&gt; ::= {0   EMBD} &lt;Automotive Serial&gt; ::= {0   AUTO} &lt;FlexRay Serial&gt; ::= {0   FLEX} &lt;Power Measurements&gt; ::= {0   PWR} &lt;RS-232/UART Serial&gt; ::= {0   COMP} &lt;Segmented Memory&gt; ::= {0   SGM} &lt;Mask Test&gt; ::= {0   MASK} &lt;Bandwidth&gt; ::= {0   BW20   BW50} &lt;I2S Serial&gt; ::= {0   AUDIO} &lt;Educator's Kit&gt; ::= {0   EDK} &lt;Waveform Generator&gt; ::= {0   WAVEGEN} &lt;MIL-1553/ARINC 429 Serial&gt; ::= {0   AERO} &lt;Extended Video&gt; ::= {0   VID} &lt;Advanced Math&gt; ::= {0   ADVMATH} &lt;Digital Voltmeter&gt; ::= {0   DVM} &lt;Remote Command Logging&gt; ::= {0   RML} &lt;Automotive Software&gt; ::= {0   D3000AUTA} &lt;General Purpose Software&gt; ::= {0   D3000GENA} &lt;Aerospace Software&gt; ::= {0   D3000AERA} &lt;Power Supply Test Software&gt; ::= {0   D3000PWRA} &lt;Software Bundle&gt; ::= {0   D3000BDLA} </pre>
*RCL <value> (see <a href="#">page 186</a> )	n/a	<pre> &lt;value&gt; ::= {0   1   4   5   6   7   8   9} </pre>

**Table 65** Common (\*) Commands Summary (continued)

Command	Query	Options and Query Returns																																				
*RST (see <a href="#">page 187</a> )	n/a	See *RST (Reset) (see <a href="#">page 187</a> )																																				
*SAV <value> (see <a href="#">page 190</a> )	n/a	<value> ::= {0   1   4   5   6   7   8   9}																																				
*SRE <mask> (see <a href="#">page 191</a> )	*SRE? (see <a href="#">page 192</a> )	<p>&lt;mask&gt; ::= sum of all bits that are set, 0 to 255; an integer in NR1 format. &lt;mask&gt; ::= following values:</p> <table border="1"> <thead> <tr> <th>Bit</th> <th>Weight</th> <th>Name</th> <th>Enables</th> </tr> </thead> <tbody> <tr> <td>7</td> <td>128</td> <td>OPER</td> <td>Operation Status Reg</td> </tr> <tr> <td>6</td> <td>64</td> <td>----</td> <td>(Not used.)</td> </tr> <tr> <td>5</td> <td>32</td> <td>ESB</td> <td>Event Status Bit</td> </tr> <tr> <td>4</td> <td>16</td> <td>MAV</td> <td>Message Available</td> </tr> <tr> <td>3</td> <td>8</td> <td>----</td> <td>(Not used.)</td> </tr> <tr> <td>2</td> <td>4</td> <td>MSG</td> <td>Message</td> </tr> <tr> <td>1</td> <td>2</td> <td>USR</td> <td>User</td> </tr> <tr> <td>0</td> <td>1</td> <td>TRG</td> <td>Trigger</td> </tr> </tbody> </table>	Bit	Weight	Name	Enables	7	128	OPER	Operation Status Reg	6	64	----	(Not used.)	5	32	ESB	Event Status Bit	4	16	MAV	Message Available	3	8	----	(Not used.)	2	4	MSG	Message	1	2	USR	User	0	1	TRG	Trigger
Bit	Weight	Name	Enables																																			
7	128	OPER	Operation Status Reg																																			
6	64	----	(Not used.)																																			
5	32	ESB	Event Status Bit																																			
4	16	MAV	Message Available																																			
3	8	----	(Not used.)																																			
2	4	MSG	Message																																			
1	2	USR	User																																			
0	1	TRG	Trigger																																			
n/a	*STB? (see <a href="#">page 193</a> )	<p>&lt;value&gt; ::= 0 to 255; an integer in NR1 format, as shown in the following:</p> <table border="1"> <thead> <tr> <th>Bit</th> <th>Weight</th> <th>Name</th> <th>"1" Indicates</th> </tr> </thead> <tbody> <tr> <td>7</td> <td>128</td> <td>OPER</td> <td>Operation status condition occurred.</td> </tr> <tr> <td>6</td> <td>64</td> <td>RQS/ MSS</td> <td>Instrument is requesting service.</td> </tr> <tr> <td>5</td> <td>32</td> <td>ESB</td> <td>Enabled event status condition occurred.</td> </tr> <tr> <td>4</td> <td>16</td> <td>MAV</td> <td>Message available.</td> </tr> <tr> <td>3</td> <td>8</td> <td>----</td> <td>(Not used.)</td> </tr> <tr> <td>2</td> <td>4</td> <td>MSG</td> <td>Message displayed.</td> </tr> <tr> <td>1</td> <td>2</td> <td>USR</td> <td>User event condition occurred.</td> </tr> <tr> <td>0</td> <td>1</td> <td>TRG</td> <td>A trigger occurred.</td> </tr> </tbody> </table>	Bit	Weight	Name	"1" Indicates	7	128	OPER	Operation status condition occurred.	6	64	RQS/ MSS	Instrument is requesting service.	5	32	ESB	Enabled event status condition occurred.	4	16	MAV	Message available.	3	8	----	(Not used.)	2	4	MSG	Message displayed.	1	2	USR	User event condition occurred.	0	1	TRG	A trigger occurred.
Bit	Weight	Name	"1" Indicates																																			
7	128	OPER	Operation status condition occurred.																																			
6	64	RQS/ MSS	Instrument is requesting service.																																			
5	32	ESB	Enabled event status condition occurred.																																			
4	16	MAV	Message available.																																			
3	8	----	(Not used.)																																			
2	4	MSG	Message displayed.																																			
1	2	USR	User event condition occurred.																																			
0	1	TRG	A trigger occurred.																																			
*TRG (see <a href="#">page 195</a> )	n/a	n/a																																				
n/a	*TST? (see <a href="#">page 196</a> )	<result> ::= 0 or non-zero value; an integer in NR1 format																																				
*WAI (see <a href="#">page 197</a> )	n/a	n/a																																				

### Introduction to Common (\*) Commands

The common commands are defined by the IEEE 488.2 standard. They are implemented by all instruments that comply with the IEEE 488.2 standard. They provide some of the basic instrument functions, such as instrument identification and reset, reading the instrument setup, and determining how status is read and cleared.

Common commands can be received and processed by the instrument whether they are sent over the interface as separate program messages or within other program messages. If an instrument subsystem has been selected and a common command is received by the instrument, the instrument remains in the selected subsystem. For example, if the program message ":ACQUIRE:TYPE AVERAGE; \*CLS; COUNT 256" is received by the instrument, the instrument sets the acquire type, then clears the status information and sets the average count.

In contrast, if a root level command or some other subsystem command is within the program message, you must re-enter the original subsystem after the command. For example, the program message ":ACQUIRE:TYPE AVERAGE; :AUTOSCALE; :ACQUIRE:COUNT 256" sets the acquire type, completes the autoscale, then sets the acquire count. In this example, :ACQUIRE must be sent again after the :AUTOSCALE command in order to re-enter the ACQUIRE subsystem and set the count.

**NOTE**

Each of the status registers has an enable (mask) register. By setting the bits in the enable register, you can select the status information you want to use.

---

## \*CLS (Clear Status)

**C** (see [page 1172](#))

### Command Syntax

\*CLS

The \*CLS common command clears the status data structures, the device-defined error queue, and the Request-for-OPC flag.

### NOTE

If the \*CLS command immediately follows a program message terminator, the output queue and the MAV (message available) bit are cleared.

- See Also
- ["Introduction to Common \(\\*\) Commands"](#) on page 174
  - ["\\*STB \(Read Status Byte\)"](#) on page 193
  - ["\\*ESE \(Standard Event Status Enable\)"](#) on page 177
  - ["\\*ESR \(Standard Event Status Register\)"](#) on page 179
  - ["\\*SRE \(Service Request Enable\)"](#) on page 191
  - [":SYSTem:ERRor"](#) on page 882



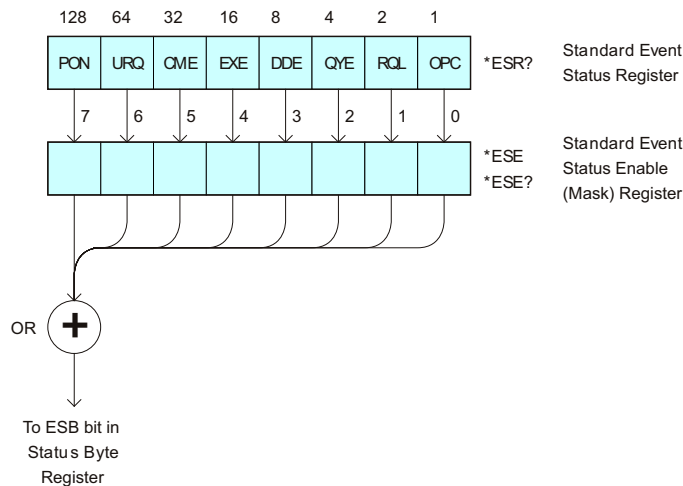
## \*ESE (Standard Event Status Enable)

**C** (see [page 1172](#))

**Command Syntax** \*ESE <mask\_argument>

<mask\_argument> ::= integer from 0 to 255

The \*ESE common command sets the bits in the Standard Event Status Enable Register. The Standard Event Status Enable Register contains a mask value for the bits to be enabled in the Standard Event Status Register. A "1" in the Standard Event Status Enable Register enables the corresponding bit in the Standard Event Status Register. A zero disables the bit.



**Table 66** Standard Event Status Enable (ESE)

Bit	Name	Description	When Set (1 = High = True), Enables:
7	PON	Power On	Event when an OFF to ON transition occurs.
6	URQ	User Request	Event when a front-panel key is pressed.
5	CME	Command Error	Event when a command error is detected.
4	EXE	Execution Error	Event when an execution error is detected.
3	DDE	Device Dependent Error	Event when a device-dependent error is detected.
2	QYE	Query Error	Event when a query error is detected.
1	RQL	Request Control	Event when the device is requesting control. (Not used.)
0	OPC	Operation Complete	Event when an operation is complete.

**Query Syntax** \*ESE?

The \*ESE? query returns the current contents of the Standard Event Status Enable Register.

**Return Format** <mask\_argument><NL>

<mask\_argument> ::= 0,...,255; an integer in NR1 format.

- See Also**
- ["Introduction to Common \(\\*\) Commands"](#) on page 174
  - ["\\*ESR \(Standard Event Status Register\)"](#) on page 179
  - ["\\*OPC \(Operation Complete\)"](#) on page 183
  - ["\\*CLS \(Clear Status\)"](#) on page 176

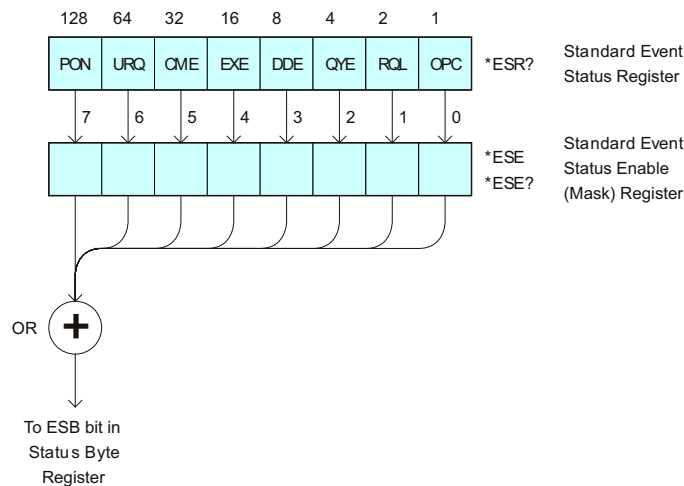
## \*ESR (Standard Event Status Register)

**C** (see [page 1172](#))

### Query Syntax \*ESR?

The \*ESR? query returns the contents of the Standard Event Status Register. When you read the Event Status Register, the value returned is the total bit weights of all of the bits that are high at the time you read the byte. Reading the register clears the Event Status Register.

The following table shows bit weight, name, and condition for each bit.



**Table 67** Standard Event Status Register (ESR)

Bit	Name	Description	When Set (1 = High = True), Indicates:
7	PON	Power On	An OFF to ON transition has occurred.
6	URQ	User Request	A front-panel key has been pressed.
5	CME	Command Error	A command error has been detected.
4	EXE	Execution Error	An execution error has been detected.
3	DDE	Device Dependent Error	A device-dependent error has been detected.
2	QYE	Query Error	A query error has been detected.
1	RQL	Request Control	The device is requesting control. (Not used.)
0	OPC	Operation Complete	Operation is complete.

**Return Format** <status><NL>

<status> ::= 0,..,255; an integer in NR1 format.

**NOTE**

Reading the Standard Event Status Register clears it. High or 1 indicates the bit is true.

---

- See Also**
- ["Introduction to Common \(\\*\) Commands"](#) on page 174
  - ["\\*ESE \(Standard Event Status Enable\)"](#) on page 177
  - ["\\*OPC \(Operation Complete\)"](#) on page 183
  - ["\\*CLS \(Clear Status\)"](#) on page 176
  - [":SYSTem:ERRor"](#) on page 882

## \*IDN (Identification Number)

**C** (see [page 1172](#))

**Query Syntax** \*IDN?

The \*IDN? query identifies the instrument type and software version.

**Return Format** AGILENT TECHNOLOGIES,<model>,<serial number>,X.XX.XX <NL>

<model> ::= the model number of the instrument

<serial number> ::= the serial number of the instrument

X.XX.XX ::= the software revision of the instrument

- See Also**
- ["Introduction to Common \(\\*\) Commands"](#) on page 174
  - ["\\*OPT \(Option Identification\)"](#) on page 184

## \*LRN (Learn Device Setup)

**C** (see [page 1172](#))

### Query Syntax

\*LRN?

The \*LRN? query result contains the current state of the instrument. This query is similar to the :SYSTem:SETup? (see [page 896](#)) query, except that it contains ":SYST:SET " before the binary block data. The query result is a valid command that can be used to restore instrument settings at a later time.

### Return Format

<learn\_string><NL>

<learn\_string> ::= :SYST:SET <setup\_data>

<setup\_data> ::= binary block data in IEEE 488.2 # format

<learn string> specifies the current instrument setup. The block size is subject to change with different firmware revisions.

### NOTE

The \*LRN? query return format has changed from previous Keysight oscilloscopes to match the IEEE 488.2 specification which says that the query result must contain ":SYST:SET " before the binary block data.

- 
- See Also
- ["Introduction to Common \(\\*\) Commands"](#) on page 174
  - ["\\*RCL \(Recall\)"](#) on page 186
  - ["\\*SAV \(Save\)"](#) on page 190
  - [":SYSTem:SETup"](#) on page 896

## \*OPC (Operation Complete)

**C** (see [page 1172](#))

**Command Syntax** \*OPC

The \*OPC command sets the operation complete bit in the Standard Event Status Register when all pending device operations have finished.

**Query Syntax** \*OPC?

The \*OPC? query places an ASCII "1" in the output queue when all pending device operations have completed. The interface hangs until this query returns.

**Return Format** <complete><NL>

<complete> ::= 1

- See Also**
- ["Introduction to Common \(\\*\) Commands"](#) on page 174
  - ["\\*ESE \(Standard Event Status Enable\)"](#) on page 177
  - ["\\*ESR \(Standard Event Status Register\)"](#) on page 179
  - ["\\*CLS \(Clear Status\)"](#) on page 176

## \*OPT (Option Identification)

**C** (see [page 1172](#))

### Query Syntax

\*OPT?

The \*OPT? query reports the options installed in the instrument. This query returns a string that identifies the module and its software revision level.

### Return Format

0,0,<license info>

```

<license info> ::= <All field>, <reserved>, <MSO>, <reserved>,
  <Memory>, <Low Speed Serial>, <Automotive Serial>, <reserved>,
  <FlexRay Serial>, <Power Measurements>, <RS-232/UART Serial>,
  <Segmented Memory>, <Mask Test>, <reserved>, <reserved>,
  <Bandwidth>, <reserved>, <reserved>, <I2S Serial>, <reserved>,
  <Educator's Kit>, <Waveform Generator>,
  <MIL-1553/ARINC 429 Serial>, <Extended Video>, <Advanced Math>,
  <reserved>, <reserved>, <reserved>, <Digital Voltmeter>,
  <reserved>, <reserved>, <reserved>, <Remote Command Logging>,
  <reserved>, <reserved>, <reserved>, <reserved>, <reserved>,
  <Automotive Software>, <General Purpose Software>,
  <Aerospace Software>, <Power Supply Test Software>,
  <Software Bundle>

```

<All field> ::= {0 | All}

<reserved> ::= 0

<MSO> ::= {0 | MSO}

<Memory> ::= {0 | MEMUP}

<Low Speed Serial> ::= {0 | EMBD}

<Automotive Serial> ::= {0 | AUTO}

<FlexRay Serial> ::= {0 | FLEX}

<Power Measurements> ::= {0 | PWR}

<RS-232/UART Serial> ::= {0 | COMP}

<Segmented Memory> ::= {0 | SGM}

<Mask Test> ::= {0 | MASK}

<Bandwidth> ::= {0 | BW20 | BW50}

<I2S Serial> ::= {0 | AUDIO}

<Educator's Kit> ::= {0 | EDK}

<Waveform Generator> ::= {0 | WAVEGEN}

<MIL-1553/ARINC 429 Serial> ::= {0 | AERO}

<Extended Video> ::= {0 | VID}

<Advanced Math> ::= {0 | ADVMATH}





## \*RCL (Recall)

**C** (see [page 1172](#))

**Command Syntax** \*RCL <value>

<value> ::= {0 | 1 | 2 | 3 | 4 | 5 | 6 | 7 | 8 | 9}

The \*RCL command restores the state of the instrument from the specified save/recall register.

- See Also**
- ["Introduction to Common \(\\*\) Commands"](#) on page 174
  - ["\\*SAV \(Save\)"](#) on page 190

## \*RST (Reset)

**C** (see [page 1172](#))

### Command Syntax \*RST

The \*RST command places the instrument in a known state. This is the same as pressing [**Save/Recall**] > **Default/Erase** > **Factory Default** on the front panel.

When you perform a factory default setup, there are no user settings that remain unchanged. To perform the equivalent of the front panel's [**Default Setup**] key, where some user settings (like preferences) remain unchanged, use the :SYSTEM:PRESet command.

Reset conditions are:

Acquire Menu	
Mode	Normal
Averaging	Off
# Averages	8

Analog Channel Menu	
Channel 1	On
Channel 2	Off
Volts/division	5.00 V
Offset	0.00
Coupling	DC
Probe attenuation	AutoProbe (if AutoProbe is connected), otherwise 1.0:1
Vernier	Off
Invert	Off
BW limit	Off
Impedance	1 M Ohm
Units	Volts
Skew	0

Cursor Menu	
Source	Channel 1

Digital Channel Menu (MSO models only)	
Channel 0 - 15	Off
Labels	Off
Threshold	TTL (1.4 V)

Display Menu	
Persistence	Off
Grid	20%

Quick Meas Menu	
Source	Channel 1

Run Control	
	Scope is running

Time Base Menu	
Main time/division	100 us
Main time base delay	0.00 s
Delay time/division	500 ns
Delay time base delay	0.00 s
Reference	center
Mode	main
Vernier	Off

Trigger Menu	
Type	Edge
Mode	Auto
Coupling	dc
Source	Channel 1
Level	0.0 V
Slope	Positive

Trigger Menu	
HF Reject and noise reject	Off
Holdoff	40 ns
External probe attenuation	10:1
External Units	Volts
External Impedance	1 M Ohm (cannot be changed)

- See Also
- ["Introduction to Common \(\\*\) Commands"](#) on page 174
  - [":SYSTem:PRESet"](#) on page 885

#### Example Code

```
' RESET - This command puts the oscilloscope into a known state.
' This statement is very important for programs to work as expected.
' Most of the following initialization commands are initialized by
' *RST. It is not necessary to reinitialize them unless the default
' setting is not suitable for your application.
myScope.WriteString "*RST" ' Reset the oscilloscope to the defaults.
```

See complete example programs at: [Chapter 40](#), "Programming Examples," starting on page 1181

## \*SAV (Save)

**C** (see [page 1172](#))

**Command Syntax** \*SAV <value>

<value> ::= {0 | 1 | 2 | 3 | 4 | 5 | 6 | 7 | 8 | 9}

The \*SAV command stores the current state of the instrument in a save register. The data parameter specifies the register where the data will be saved.

- See Also**
- ["Introduction to Common \(\\*\) Commands"](#) on page 174
  - ["\\*RCL \(Recall\)"](#) on page 186

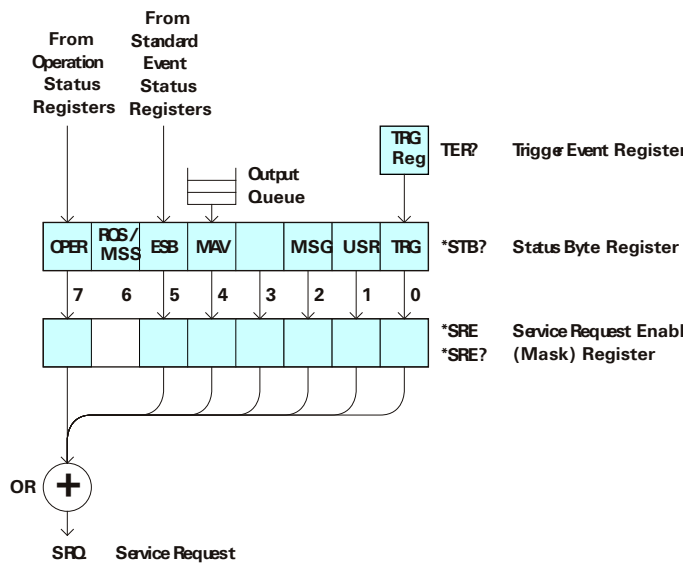
## \*SRE (Service Request Enable)

**C** (see [page 1172](#))

**Command Syntax** \*SRE <mask>

<mask> ::= integer with values defined in the following table.

The \*SRE command sets the bits in the Service Request Enable Register. The Service Request Enable Register contains a mask value for the bits to be enabled in the Status Byte Register. A one in the Service Request Enable Register enables the corresponding bit in the Status Byte Register. A zero disables the bit.



**Table 68** Service Request Enable Register (SRE)

Bit	Name	Description	When Set (1 = High = True), Enables:
7	OPER	Operation Status Register	Interrupts when enabled conditions in the Operation Status Register (OPER) occur.
6	---	---	(Not used.)
5	ESB	Event Status Bit	Interrupts when enabled conditions in the Standard Event Status Register (ESR) occur.
4	MAV	Message Available	Interrupts when messages are in the Output Queue.
3	---	---	(Not used.)
2	MSG	Message	Interrupts when an advisory has been displayed on the oscilloscope.
1	USR	User Event	Interrupts when enabled user event conditions occur.
0	TRG	Trigger	Interrupts when a trigger occurs.

**Query Syntax** \*SRE?

The \*SRE? query returns the current value of the Service Request Enable Register.

**Return Format** <mask><NL>

<mask> ::= sum of all bits that are set, 0,...,255;  
an integer in NR1 format

- See Also**
- ["Introduction to Common \(\\*\) Commands"](#) on page 174
  - ["\\*STB \(Read Status Byte\)"](#) on page 193
  - ["\\*CLS \(Clear Status\)"](#) on page 176



## \*STB (Read Status Byte)

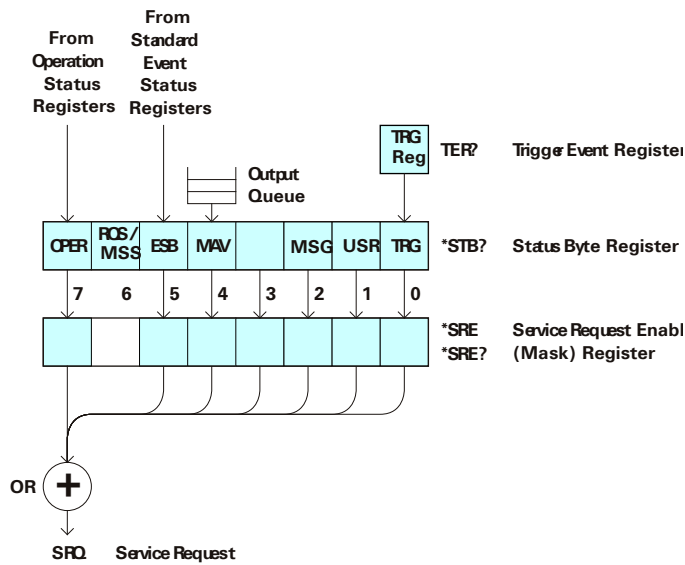
**C** (see [page 1172](#))

**Query Syntax** \*STB?

The \*STB? query returns the current value of the instrument's status byte. The MSS (Master Summary Status) bit is reported on bit 6 instead of the RQS (request service) bit. The MSS indicates whether or not the device has at least one reason for requesting service.

**Return Format** <value><NL>

<value> ::= 0,...,255; an integer in NR1 format



**Table 69** Status Byte Register (STB)

Bit	Name	Description	When Set (1 = High = True), Indicates:
7	OPER	Operation Status Register	An enabled condition in the Operation Status Register (OPER) has occurred.
6	RQS	Request Service	When polled, that the device is requesting service.
	MSS	Master Summary Status	When read (by *STB?), whether the device has a reason for requesting service.
5	ESB	Event Status Bit	An enabled condition in the Standard Event Status Register (ESR) has occurred.
4	MAV	Message Available	There are messages in the Output Queue.
3	---	---	(Not used, always 0.)
2	MSG	Message	An advisory has been displayed on the oscilloscope.
1	USR	User Event	An enabled user event condition has occurred.
0	TRG	Trigger	A trigger has occurred.

**NOTE**

To read the instrument's status byte with RQS reported on bit 6, use the interface Serial Poll.

- See Also
- ["Introduction to Common \(\\*\) Commands"](#) on page 174
  - ["\\*SRE \(Service Request Enable\)"](#) on page 191

## \*TRG (Trigger)

**C** (see [page 1172](#))

### Command Syntax

\*TRG

The \*TRG command has the same effect as the :DIGitize command with no parameters.

- See Also
- ["Introduction to Common \(\\*\) Commands"](#) on page 174
  - [":DIGitize"](#) on page 211
  - [":RUN"](#) on page 232
  - [":STOP"](#) on page 236

## \*TST (Self Test)

**C** (see [page 1172](#))

**Query Syntax** \*TST?

The \*TST? query performs a self-test on the instrument. The result of the test is placed in the output queue. A zero indicates the test passed and a non-zero indicates the test failed. If the test fails, refer to the troubleshooting section of the *Service Guide*.

**Return Format** <result><NL>

<result> ::= 0 or non-zero value; an integer in NR1 format

**See Also** • ["Introduction to Common \(\\*\) Commands"](#) on page 174

## \*WAI (Wait To Continue)

**C** (see [page 1172](#))

### Command Syntax

\*WAI

The \*WAI command has no function in the oscilloscope, but is parsed for compatibility with other instruments.

**See Also** · ["Introduction to Common \(\\*\) Commands"](#) on page 174

## 5 Common (\*) Commands

## 6 Root (:) Commands

Control many of the basic functions of the oscilloscope and reside at the root level of the command tree. See "[Introduction to Root \(:\) Commands](#)" on page 202.

**Table 70** Root (:) Commands Summary

Command	Query	Options and Query Returns
:ACTivity (see <a href="#">page 203</a> )	:ACTivity? (see <a href="#">page 203</a> )	<return value> ::= <edges>,<levels>  <edges> ::= presence of edges (32-bit integer in NR1 format)  <levels> ::= logical highs or lows (32-bit integer in NR1 format)
n/a	:AER? (see <a href="#">page 204</a> )	{0   1}; an integer in NR1 format
:AUToscale [<source>[,...,<source>]] (see <a href="#">page 205</a> )	n/a	<source> ::= CHANNEL<n> for DSO models  <source> ::= {CHANNEL<n>   DIGital<d>   POD1   POD2} for MSO models  <source> can be repeated up to 5 times  <n> ::= 1 to (# analog channels) in NR1 format  <d> ::= 0 to (# digital channels - 1) in NR1 format
:AUToscale:AMODE <value> (see <a href="#">page 207</a> )	:AUToscale:AMODE? (see <a href="#">page 207</a> )	<value> ::= {NORMAL   CURRENT}}
:AUToscale:CHANnels <value> (see <a href="#">page 208</a> )	:AUToscale:CHANnels? (see <a href="#">page 208</a> )	<value> ::= {ALL   DISPLAYed}}
:AUToscale:FDEBug {{0   OFF}   {1   ON}} (see <a href="#">page 209</a> )	:AUToscale:FDEBug? (see <a href="#">page 209</a> )	{0   1}

**Table 70** Root (:) Commands Summary (continued)

Command	Query	Options and Query Returns
:BLANk [<source>] (see <a href="#">page 210</a> )	n/a	<source> ::= {CHANnel<n>   FUNctIon   MATH   SBUS{1   2}   WMEMemory<r>} for DSO models  <source> ::= {CHANnel<n>   DIGital<d>   POD{1   2}   BUS{1   2}   FUNctIon   MATH   SBUS{1   2}   WMEMemory<r>} for MSO models  <n> ::= 1 to (# analog channels) in NR1 format  <d> ::= 0 to (# digital channels - 1) in NR1 format  <r> ::= 1 to (# ref waveforms) in NR1 format
:DIGitize [<source>[,...,<source >]] (see <a href="#">page 211</a> )	n/a	<source> ::= {CHANnel<n>   FUNctIon   MATH   SBUS{1   2}} for DSO models  <source> ::= {CHANnel<n>   DIGital<d>   POD{1   2}   BUS{1   2}   FUNctIon   MATH   SBUS{1   2}} for MSO models  <source> can be repeated up to 5 times  <n> ::= 1 to (# analog channels) in NR1 format  <d> ::= 0 to (# digital channels - 1) in NR1 format
:MTEenable <n> (see <a href="#">page 213</a> )	:MTEenable? (see <a href="#">page 213</a> )	<n> ::= 16-bit integer in NR1 format
n/a	:MTEregister[:EVENT]? (see <a href="#">page 215</a> )	<n> ::= 16-bit integer in NR1 format
:OPEE <n> (see <a href="#">page 217</a> )	:OPEE? (see <a href="#">page 218</a> )	<n> ::= 15-bit integer in NR1 format
n/a	:OPERregister:CONDiti on? (see <a href="#">page 219</a> )	<n> ::= 15-bit integer in NR1 format
n/a	:OPERregister[:EVENT]? (see <a href="#">page 221</a> )	<n> ::= 15-bit integer in NR1 format



**Table 70** Root (:) Commands Summary (continued)

Command	Query	Options and Query Returns
:OVLenable <mask> (see <a href="#">page 223</a> )	:OVLenable? (see <a href="#">page 224</a> )	<mask> ::= 16-bit integer in NR1 format as shown:  Bit Weight Input ----- 10 1024 Ext Trigger Fault 9 512 Channel 4 Fault 8 256 Channel 3 Fault 7 128 Channel 2 Fault 6 64 Channel 1 Fault 4 16 Ext Trigger OVL 3 8 Channel 4 OVL 2 4 Channel 3 OVL 1 2 Channel 2 OVL 0 1 Channel 1 OVL
n/a	:OVLRegister? (see <a href="#">page 225</a> )	<value> ::= integer in NR1 format. See OVLenable for <value>
:PRINT [<options>] (see <a href="#">page 227</a> )	n/a	<options> ::= [<print option>][, ..., <print option>]  <print option> ::= {COLOR   GRAYscale   PRINter0   PRINter1   BMP8bit   BMP   PNG   NOFactors   FACTors}  <print option> can be repeated up to 5 times.
:PWRenable <n> (see <a href="#">page 228</a> )	:PWRenable? (see <a href="#">page 228</a> )	<n> ::= 16-bit integer in NR1 format
n/a	:PWRRegister[:EVENT]? (see <a href="#">page 230</a> )	<n> ::= 16-bit integer in NR1 format
n/a	:RState? (see <a href="#">page 231</a> )	{RUN   STOP   SING}
:RUN (see <a href="#">page 232</a> )	n/a	n/a
n/a	:SERial (see <a href="#">page 233</a> )	<return value> ::= unquoted string containing serial number
:SINGle (see <a href="#">page 234</a> )	n/a	n/a

**Table 70** Root (:) Commands Summary (continued)

Command	Query	Options and Query Returns
n/a	:STATus? <display> (see <a href="#">page 235</a> )	{0   1}  <display> ::= {CHANnel<n>   DIGital<d>   POD{1   2}   BUS{1   2}   FUNction   MATH   SBUS{1   2}   WMEMory<r>}  <n> ::= 1 to (# analog channels) in NR1 format  <d> ::= 0 to (# digital channels - 1) in NR1 format  <r> ::= 1 to (# ref waveforms) in NR1 format
:STOP (see <a href="#">page 236</a> )	n/a	n/a
n/a	:TER? (see <a href="#">page 237</a> )	{0   1}
:VIEW <source> (see <a href="#">page 238</a> )	n/a	<source> ::= {CHANnel<n>   FUNction   MATH   SBUS{1   2}   WMEMory<r>} for DSO models  <source> ::= {CHANnel<n>   DIGital<d>   POD{1   2}   BUS{1   2}   FUNction   MATH   SBUS{1   2}   WMEMory<r>} for MSO models  <n> ::= 1 to (# analog channels) in NR1 format  <d> ::= 0 to (# digital channels - 1) in NR1 format  <r> ::= 1 to (# ref waveforms) in NR1 format

**Introduction to  
Root (:)  
Commands**

Root level commands control many of the basic operations of the instrument. These commands are always recognized by the parser if they are prefixed with a colon, regardless of current command tree position. After executing a root-level command, the parser is positioned at the root of the command tree.

## :ACTivity

**N** (see [page 1172](#))

**Command Syntax** :ACTivity

The :ACTivity command clears the cumulative edge variables for the next activity query.

**Query Syntax** :ACTivity?

The :ACTivity? query returns whether there has been activity (edges) on the digital channels since the last query, and returns the current logic levels.

**NOTE**

Because the :ACTivity? query returns edge activity since the last :ACTivity? query, you must send this query twice before the edge activity result is valid.

**Return Format** <edges>,<levels><NL>

<edges> ::= presence of edges (16-bit integer in NR1 format).

<levels> ::= logical highs or lows (16-bit integer in NR1 format).

bit 0 ::= DIGital 0

bit 15 ::= DIGital 15

**NOTE**

A bit = 0 (zero) in the <edges> result indicates that no edges were detected on that channel (across the specified threshold voltage) since the last query.

A bit = 1 (one) in the <edges> result indicates that edges have been detected on that channel (across the specified threshold voltage) since the last query.

(The threshold voltage must be set appropriately for the logic levels of the signals being probed.)

- See Also**
- ["Introduction to Root \(:\) Commands"](#) on page 202
  - [":POD<n>:THReshold"](#) on page 551
  - [":DIGital<d>:THReshold"](#) on page 309

## :AER (Arm Event Register)

**C** (see [page 1172](#))

### Query Syntax

:AER?

The AER query reads the Arm Event Register. After the Arm Event Register is read, it is cleared. A "1" indicates the trigger system is in the armed state, ready to accept a trigger.

The Armed Event Register is summarized in the Wait Trig bit of the Operation Status Event Register. A Service Request can be generated when the Wait Trig bit transitions and the appropriate enable bits have been set in the Operation Status Enable Register (OPEE) and the Service Request Enable Register (SRE).

### Return Format

<value><NL>

<value> ::= {0 | 1}; an integer in NR1 format.

- See Also**
- ["Introduction to Root \(:\) Commands"](#) on page 202
  - [":OPEE \(Operation Status Enable Register\)"](#) on page 217
  - [":OPERRegister:CONDition \(Operation Status Condition Register\)"](#) on page 219
  - [":OPERRegister\[:EVENT\] \(Operation Status Event Register\)"](#) on page 221
  - ["\\*STB \(Read Status Byte\)"](#) on page 193
  - ["\\*SRE \(Service Request Enable\)"](#) on page 191

## :AUToscale

**C** (see [page 1172](#))

## Command Syntax

```
:AUToscale
:AUToscale [<source>[,...,<source>]]
<source> ::= CHANNEL<n> for the DSO models
<source> ::= {DIGital<d> | POD1 | POD2 | CHANNEL<n>} for the
              MSO models
<n> ::= 1 to (# analog channels) in NR1 format
<d> ::= 0 to (# digital channels - 1) in NR1 format
```

The <source> parameter may be repeated up to 5 times.

The :AUToscale command evaluates all input signals and sets the correct conditions to display the signals. This is the same as pressing the **[Auto Scale]** key on the front panel.

If one or more sources are specified, those specified sources will be enabled and all others blanked. The autoscale channels mode (see **":AUToscale:CHANNELs"** on page 208) is set to DISPLAYed channels. Then, the autoscale is performed.

When the :AUToscale command is sent, the following conditions are affected and actions are taken:

- Thresholds.
- Channels with activity around the trigger point are turned on, others are turned off.
- Channels are reordered on screen; analog channel 1 first, followed by the remaining analog channels, then the digital channels 0-15.
- Delay is set to 0 seconds.
- Time/Div.

The :AUToscale command does not affect the following conditions:

- Label names.
- Trigger conditioning.

The :AUToscale command turns off the following items:

- Cursors.
- Measurements.
- Math waveforms.
- Reference waveforms.
- Zoomed (delayed) time base mode.

For further information on :AUToscale, see the *User's Guide*.

- See Also**
- ["Introduction to Root \(:\) Commands"](#) on page 202
  - [":AUToscale:CHANnels"](#) on page 208
  - [":AUToscale:AMODE"](#) on page 207

**Example Code**

```
' AUTOSCALE - This command evaluates all the input signals and sets  
' the correct conditions to display all of the active signals.  
myScope.WriteString ":AUToscale" ' Same as pressing Auto Scale key.
```

See complete example programs at: [Chapter 40](#), "Programming Examples," starting on page 1181

## :AUToscale:AMODE

**N** (see [page 1172](#))

**Command Syntax** :AUToscale:AMODE <value>  
 <value> ::= {NORMal | CURRent}

The :AUToscale:AMODE command specifies the acquisition mode that is set by subsequent :AUToscales.

- When NORMal is selected, an :AUToscale command sets the NORMal acquisition type and the RTIME (real-time) acquisition mode.
- When CURRent is selected, the current acquisition type and mode are kept on subsequent :AUToscales.

Use the :ACquire:TYPE and :ACquire:MODE commands to set the acquisition type and mode.

**Query Syntax** :AUToscale:AMODE?

The :AUToscale:AMODE? query returns the autoscale acquire mode setting.

**Return Format** <value><NL>  
 <value> ::= {NORM | CURR}

- See Also**
- ["Introduction to Root \(:\) Commands"](#) on page 202
  - [":AUToscale"](#) on page 205
  - [":AUToscale:CHANnels"](#) on page 208
  - [":ACquire:TYPE"](#) on page 251
  - [":ACquire:MODE"](#) on page 243

**:AUToscale:CHANnels**

**N** (see [page 1172](#))

**Command Syntax** :AUToscale:CHANnels <value>  
 <value> ::= {ALL | DISplayed}

The :AUToscale:CHANnels command specifies which channels will be displayed on subsequent :AUToscales.

- When ALL is selected, all channels that meet the requirements of :AUToscale will be displayed.
- When DISplayed is selected, only the channels that are turned on are autoscaled.

Use the :VIEW or :BLANK root commands to turn channels on or off.

**Query Syntax** :AUToscale:CHANnels?

The :AUToscale:CHANnels? query returns the autoscale channels setting.

**Return Format** <value><NL>  
 <value> ::= {ALL | DISP}

- See Also**
- ["Introduction to Root \(:\) Commands"](#) on page 202
  - [":AUToscale"](#) on page 205
  - [":AUToscale:AMODE"](#) on page 207
  - [":VIEW"](#) on page 238
  - [":BLANK"](#) on page 210



## :AUToscale:FDEBug

**N** (see [page 1172](#))

**Command Syntax** :AUToscale:FDEBug <on\_off>  
 <on\_off> ::= {{1 | ON} | {0 | OFF}}

The :AUToscale:FDEBug command turns fast debug auto scaling on or off.

The Fast Debug option changes the behavior of :AUToscale to let you make quick visual comparisons to determine whether the signal being probed is a DC voltage, ground, or an active AC signal.

Channel coupling is maintained for easy viewing of oscillating signals.

**Query Syntax** :AUToscale:FDEBug?

The :AUToscale:FDEBug? query returns the current autoscale fast debug setting.

**Return Format** <on\_off><NL>

<on\_off> ::= {1 | 0}

- See Also**
- ["Introduction to Root \(:\) Commands"](#) on page 202
  - [":AUToscale"](#) on page 205

## :BLANK

**N** (see [page 1172](#))

### Command Syntax

`:BLANK [<source>]`

`<source> ::= {CHANnel<n> | FUNCTION | MATH | SBUS{1 | 2} | WMEMory<r>}`  
for the DSO models

`<source> ::= {CHANnel<n> | DIGital<d> | POD{1 | 2}`  
| BUS{1 | 2} | FUNCTION | MATH | SBUS{1 | 2} | WMEMory<r>}  
for the MSO models

`<n> ::= 1 to (# analog channels) in NR1 format`

`<d> ::= 0 to (# digital channels - 1) in NR1 format`

`<r> ::= 1 to (# ref waveforms) in NR1 format`

The :BLANK command turns off (stops displaying) the specified channel, digital pod, math function, or serial decode bus. The :BLANK command with no parameter turns off all sources.

### NOTE

To turn on (start displaying) a channel, etc., use the :VIEW command. The DISPLAY commands, :CHANnel<n>:DISPlay, :FUNCTION:DISPlay, :POD<n>:DISPlay, :DIGital<n>:DISPlay, :SBUS<n>:DISPlay, or :WMEMory<r>:DISPlay, are the preferred method to turn on/off a channel, etc.

### NOTE

MATH is an alias for FUNCTION.

- See Also
- ["Introduction to Root \(:\) Commands"](#) on page 202
  - [":DISPlay:CLEAr"](#) on page 317
  - [":CHANnel<n>:DISPlay"](#) on page 279
  - [":DIGital<d>:DISPlay"](#) on page 305
  - [":FUNCTION:DISPlay"](#) on page 351
  - [":POD<n>:DISPlay"](#) on page 549
  - [":WMEMory<r>:DISPlay"](#) on page 1072
  - [":STATus"](#) on page 235
  - [":VIEW"](#) on page 238

- Example Code
- ["Example Code"](#) on page 238

## :DIGitize

**C** (see [page 1172](#))

**Command Syntax** :DIGitize [<source>[,...,<source>]]

<source> ::= {CHANnel<n> | FUNCTION | MATH | SBUS{1 | 2}}  
for the DSO models

<source> ::= {CHANnel<n> | DIGital<d> | POD{1 | 2}  
| BUS{1 | 2} | FUNCTION | MATH | SBUS{1 | 2}}  
for the MSO models

<n> ::= 1 to (# analog channels) in NR1 format

<d> ::= 0 to (# digital channels - 1) in NR1 format

The <source> parameter may be repeated up to 5 times.

The :DIGitize command is a specialized RUN command. It causes the instrument to acquire waveforms according to the settings of the :ACQUIRE commands subsystem. When the acquisition is complete, the instrument is stopped.

If no argument is given, :DIGitize acquires the channels currently displayed. If no channels are displayed, all channels are acquired.

**NOTE**

The :DIGitize command is only executed when the :TIMEbase:MODE is MAIN or WINDOW.

**NOTE**

To halt a :DIGitize in progress, use the device clear command.

**NOTE**

MATH is an alias for FUNCTION.

- See Also**
- ["Introduction to Root \(:\) Commands"](#) on page 202
  - [":RUN"](#) on page 232
  - [":SINGLE"](#) on page 234
  - [":STOP"](#) on page 236
  - [":TIMEbase:MODE"](#) on page 901
  - [Chapter 7](#), “:ACQUIRE Commands,” starting on page 239
  - [Chapter 32](#), “:WAVEFORM Commands,” starting on page 991

**Example Code**

```
' Capture an acquisition using :DIGitize.  
' -----  
myScope.WriteString ":DIGitize CHANnel1"
```

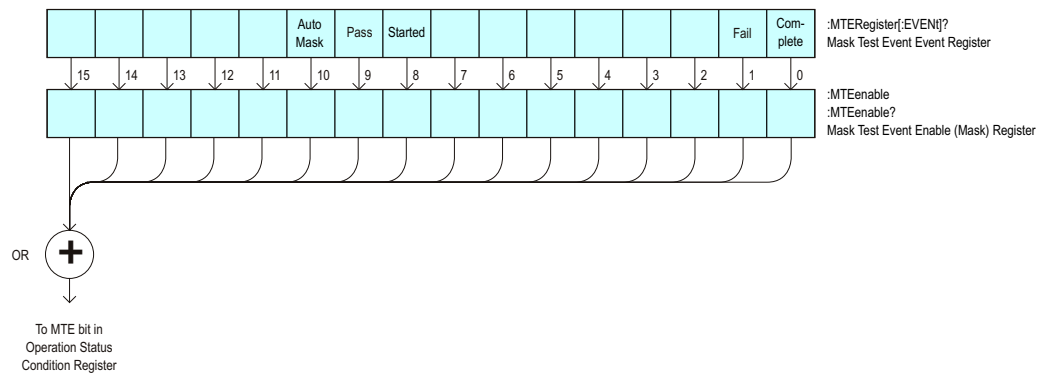
See complete example programs at: [Chapter 40](#), "Programming Examples," starting on page 1181

## :MTEenable (Mask Test Event Enable Register)

**N** (see [page 1172](#))

**Command Syntax** :MTEenable <mask>  
 <mask> ::= 16-bit integer

The :MTEenable command sets a mask in the Mask Test Event Enable register. Set any of the following bits to "1" to enable bit 9 in the Operation Status Condition Register and potentially cause an SRQ (Service Request interrupt) to be generated.



**Table 71** Mask Test Event Enable Register (MTEenable)

Bit	Name	Description	When Set (1 = High = True), Enables:
15-11	---	---	(Not used.)
10	Auto Mask	Auto Mask Created	Auto mask creation completed.
9	---	---	(Not used.)
8	Started	Mask Testing Started	Mask testing started.
7-2	---	---	(Not used.)
1	Fail	Mask Test Fail	Mask test failed.
0	Complete	Mask Test Complete	Mask test is complete.

**Query Syntax** :MTEenable?

The :MTEenable? query returns the current value contained in the Mask Test Event Enable register as an integer number.

**Return Format** <value><NL>  
 <value> ::= integer in NR1 format.

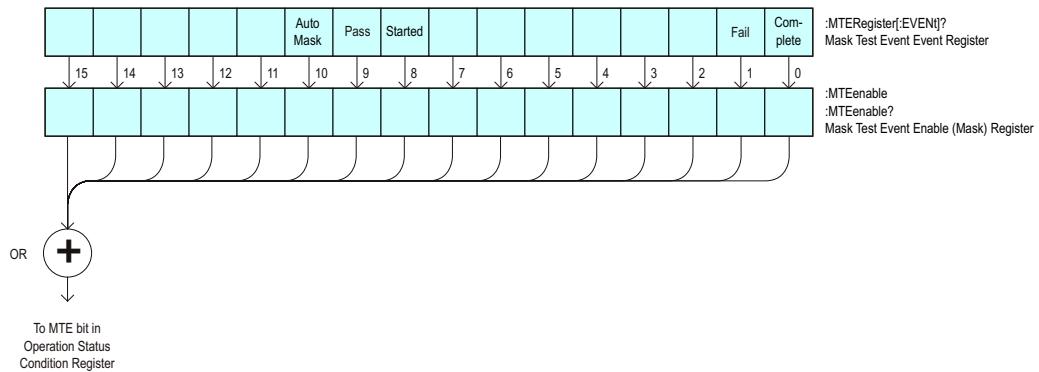
- See Also**
- ["Introduction to Root \(:\) Commands"](#) on page 202
  - [":AER \(Arm Event Register\)"](#) on page 204
  - [":CHANnel<n>:PROTection"](#) on page 290
  - [":OPERRegister\[:EVENT\] \(Operation Status Event Register\)"](#) on page 221
  - [":OVLenable \(Overload Event Enable Register\)"](#) on page 223
  - [":OVLRegister \(Overload Event Register\)"](#) on page 225
  - ["\\*STB \(Read Status Byte\)"](#) on page 193
  - ["\\*SRE \(Service Request Enable\)"](#) on page 191

:MTERegister[:EVENT] (Mask Test Event Event Register)

**N** (see [page 1172](#))

**Query Syntax** :MTERegister[:EVENT] ?

The :MTERegister[:EVENT]? query returns the integer value contained in the Mask Test Event Event Register and clears the register.



**Table 72** Mask Test Event Event Register

Bit	Name	Description	When Set (1 = High = True), Indicates:
15-11	---	---	(Not used.)
10	Auto Mask	Auto Mask Created	Auto mask creation completed.
9	---	---	(Not used.)
8	Started	Mask Testing Started	Mask testing started.
7-2	---	---	(Not used.)
1	Fail	Mask Test Fail	The mask test failed.
0	Complete	Mask Test Complete	The mask test is complete.

**Return Format** <value><NL>  
 <value> ::= integer in NR1 format.

- See Also**
- ["Introduction to Root \(: \) Commands"](#) on page 202
  - [":CHANnel<n>:PROTection"](#) on page 290
  - [":OPEE \(Operation Status Enable Register\)"](#) on page 217
  - [":OPERRegister:CONDition \(Operation Status Condition Register\)"](#) on page 219

- **":OVLenable (Overload Event Enable Register)"** on page 223
- **":OVLRegister (Overload Event Register)"** on page 225
- **"\*STB (Read Status Byte)"** on page 193
- **"\*SRE (Service Request Enable)"** on page 191





**Table 73** Operation Status Enable Register (OPEE) (continued)

Bit	Name	Description	When Set (1 = High = True), Enables:
4	---	---	(Not used.)
3	Run	Running	Event when the oscilloscope is running (not stopped).
2-0	---	---	(Not used.)

**Query Syntax** :OPEE?

The :OPEE? query returns the current value contained in the Operation Status Enable register as an integer number.

**Return Format** <value><NL>

<value> ::= integer in NR1 format.

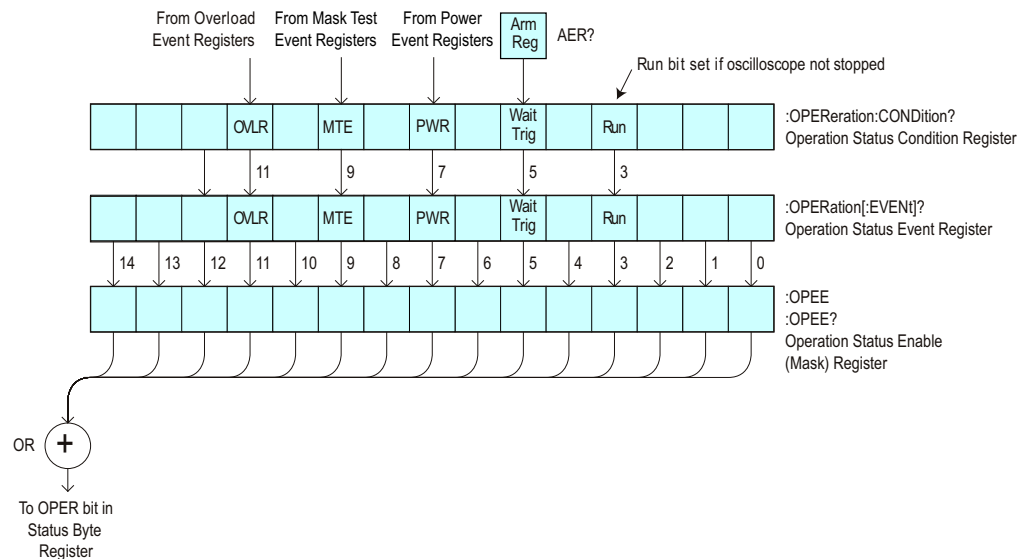
- See Also**
- ["Introduction to Root \(:\) Commands"](#) on page 202
  - [":AER \(Arm Event Register\)"](#) on page 204
  - [":CHANnel<n>:PROTection"](#) on page 290
  - [":OPERegister\[:EVENT\] \(Operation Status Event Register\)"](#) on page 221
  - [":OVLenable \(Overload Event Enable Register\)"](#) on page 223
  - [":OVLRegister \(Overload Event Register\)"](#) on page 225
  - ["\\*STB \(Read Status Byte\)"](#) on page 193
  - ["\\*SRE \(Service Request Enable\)"](#) on page 191

## :OPERRegister:CONDition (Operation Status Condition Register)

**C** (see [page 1172](#))

**Query Syntax** :OPERRegister:CONDition?

The :OPERRegister:CONDition? query returns the integer value contained in the Operation Status Condition Register.



**Table 74** Operation Status Condition Register

Bit	Name	Description	When Set (1 = High = True), Indicates:
14-12	---	---	(Not used.)
11	OVL	Overload	A 50Ω input overload has occurred.
10	---	---	(Not used.)
9	MTE	Mask Test Event	A mask test event has occurred.
8	---	---	(Not used.)
7	PWR	Power Event	A power measurements application event has occurred.
6	---	---	(Not used.)
5	Wait Trig	Wait Trig	The trigger is armed (set by the Trigger Armed Event Register (TER)).
4	---	---	(Not used.)

**Table 74** Operation Status Condition Register (continued)

Bit	Name	Description	When Set (1 = High = True), Indicates:
3	Run	Running	The oscilloscope is running (not stopped).
2-0	---	---	(Not used.)

Return Format <value><NL>

<value> ::= integer in NR1 format.

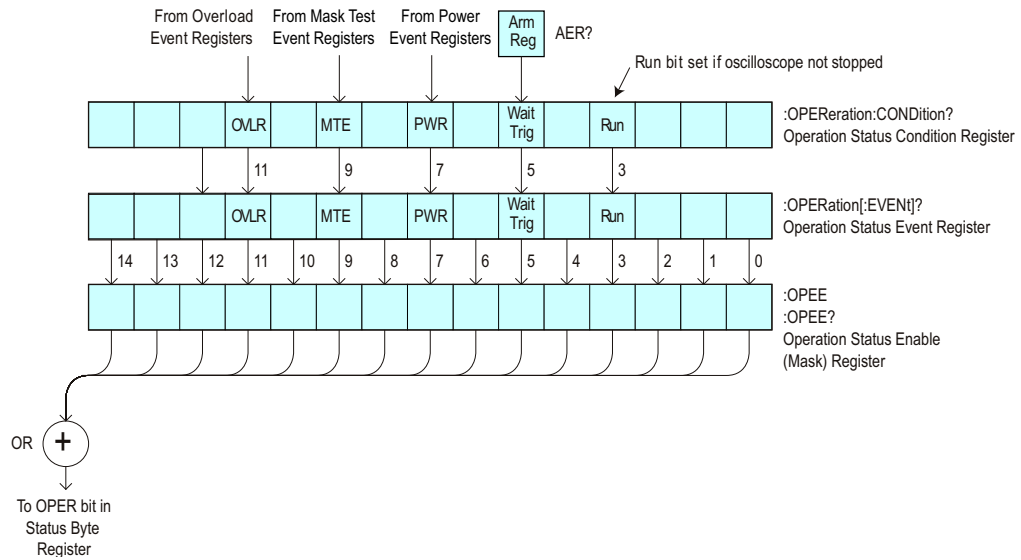
- See Also
- [":Introduction to Root \(: \) Commands"](#) on page 202
  - [":CHANnel<n>:PROTection"](#) on page 290
  - [":OPEE \(Operation Status Enable Register\)"](#) on page 217
  - [":OPERegister\[:EVENT\] \(Operation Status Event Register\)"](#) on page 221
  - [":OVLenable \(Overload Event Enable Register\)"](#) on page 223
  - [":OVLRegister \(Overload Event Register\)"](#) on page 225
  - ["\\*STB \(Read Status Byte\)"](#) on page 193
  - ["\\*SRE \(Service Request Enable\)"](#) on page 191
  - [":MTERegister\[:EVENT\] \(Mask Test Event Event Register\)"](#) on page 215
  - [":MTEenable \(Mask Test Event Enable Register\)"](#) on page 213

## :OPERRegister[:EVENT] (Operation Status Event Register)

**C** (see [page 1172](#))

**Query Syntax** :OPERRegister[:EVENT]?

The :OPERRegister[:EVENT]? query returns the integer value contained in the Operation Status Event Register.



**Table 75** Operation Status Event Register

Bit	Name	Description	When Set (1 = High = True), Indicates:
14-12	---	---	(Not used.)
11	OVL	Overload	A 50Ω input overload has occurred.
10	---	---	(Not used.)
9	MTE	Mask Test Event	A mask test event has occurred.
8	---	---	(Not used.)
7	PWR	Power Event	A power measurements application event has occurred.
6	---	---	(Not used.)
5	Wait Trig	Wait Trig	The trigger is armed (set by the Trigger Armed Event Register (TER)).
4	---	---	(Not used.)

**Table 75** Operation Status Event Register (continued)

Bit	Name	Description	When Set (1 = High = True), Indicates:
3	Run	Running	The oscilloscope has gone from a stop state to a single or running state.
2-0	---	---	(Not used.)

Return Format <value><NL>

<value> ::= integer in NR1 format.

- See Also
- ["Introduction to Root \(: \) Commands"](#) on page 202
  - [":CHANnel<n>:PROTection"](#) on page 290
  - [":OPEE \(Operation Status Enable Register\)"](#) on page 217
  - [":OPERegister:CONDition \(Operation Status Condition Register\)"](#) on page 219
  - [":OVLenable \(Overload Event Enable Register\)"](#) on page 223
  - [":OVLRegister \(Overload Event Register\)"](#) on page 225
  - ["\\*STB \(Read Status Byte\)"](#) on page 193
  - ["\\*SRE \(Service Request Enable\)"](#) on page 191
  - [":MTERegister\[:EVENT\] \(Mask Test Event Event Register\)"](#) on page 215
  - [":MTEenable \(Mask Test Event Enable Register\)"](#) on page 213

## :OVLenable (Overload Event Enable Register)

**C** (see [page 1172](#))

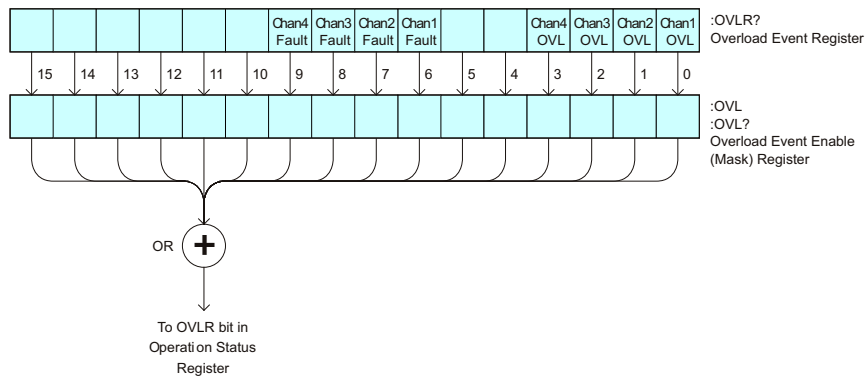
**Command Syntax** :OVLenable <enable\_mask>  
 <enable\_mask> ::= 16-bit integer

The overload enable mask is an integer representing an input as described in the following table.

The :OVLenable command sets the mask in the Overload Event Enable Register and enables the reporting of the Overload Event Register. If an overvoltage is sensed on a 50Ω input, the input will automatically switch to 1 MΩ input impedance. If enabled, such an event will set bit 11 in the Operation Status Register.

**NOTE**

You can set analog channel input impedance to 50Ω on the 300 MHz, 500 MHz, and 1 GHz bandwidth oscilloscope models. On these same bandwidth models, if there are only two analog channels, you can also set external trigger input impedance to 50Ω.



**Table 76** Overload Event Enable Register (OVL)

Bit	Description	When Set (1 = High = True), Enables:
15-10	---	(Not used.)
9	Channel 4 Fault	Event when fault occurs on Channel 4 input.
8	Channel 3 Fault	Event when fault occurs on Channel 3 input.
7	Channel 2 Fault	Event when fault occurs on Channel 2 input.
6	Channel 1 Fault	Event when fault occurs on Channel 1 input.
5-4	---	(Not used.)
3	Channel 4 OVL	Event when overload occurs on Channel 4 input.

**Table 76** Overload Event Enable Register (OVL) (continued)

Bit	Description	When Set (1 = High = True), Enables:
2	Channel 3 OVL	Event when overload occurs on Channel 3 input.
1	Channel 2 OVL	Event when overload occurs on Channel 2 input.
0	Channel 1 OVL	Event when overload occurs on Channel 1 input.

**Query Syntax** :OVLenable?

The :OVLenable query returns the current enable mask value contained in the Overload Event Enable Register.

**Return Format** <enable\_mask><NL>

<enable\_mask> ::= integer in NR1 format.

- See Also**
- ["Introduction to Root \(:\) Commands"](#) on page 202
  - [":CHANnel<n>:PROTection"](#) on page 290
  - [":OPEE \(Operation Status Enable Register\)"](#) on page 217
  - [":OPERRegister:CONDition \(Operation Status Condition Register\)"](#) on page 219
  - [":OPERRegister\[:EVENT\] \(Operation Status Event Register\)"](#) on page 221
  - [":OVLRegister \(Overload Event Register\)"](#) on page 225
  - ["\\*STB \(Read Status Byte\)"](#) on page 193
  - ["\\*SRE \(Service Request Enable\)"](#) on page 191



## :OVLRegister (Overload Event Register)

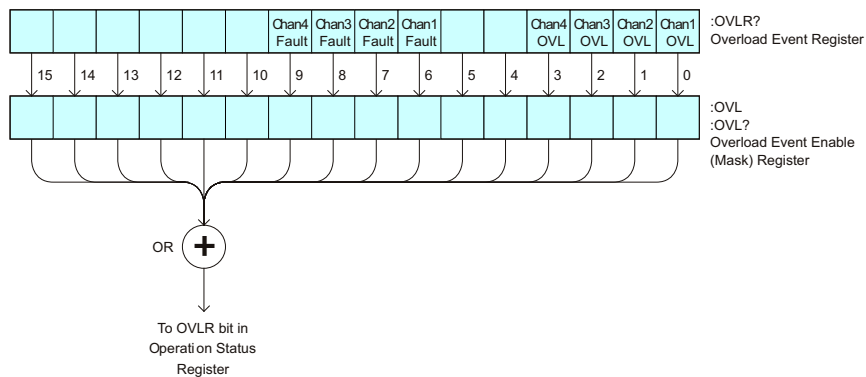
**C** (see [page 1172](#))

**Query Syntax** :OVLRegister?

The :OVLRegister query returns the overload protection value stored in the Overload Event Register (OVL). If an overvoltage is sensed on a 50Ω input, the input will automatically switch to 1 MΩ input impedance. A "1" indicates an overload has occurred.

**NOTE**

You can set analog channel input impedance to 50Ω on the 300 MHz, 500 MHz, and 1 GHz bandwidth oscilloscope models. On these same bandwidth models, if there are only two analog channels, you can also set external trigger input impedance to 50Ω.



**Table 77** Overload Event Register (OVL)

Bit	Description	When Set (1 = High = True), Indicates:
15-10	---	(Not used.)
9	Channel 4 Fault	Fault has occurred on Channel 4 input.
8	Channel 3 Fault	Fault has occurred on Channel 3 input.
7	Channel 2 Fault	Fault has occurred on Channel 2 input.
6	Channel 1 Fault	Fault has occurred on Channel 1 input.
5-4	---	(Not used.)
3	Channel 4 OVL	Overload has occurred on Channel 4 input.
2	Channel 3 OVL	Overload has occurred on Channel 3 input.
1	Channel 2 OVL	Overload has occurred on Channel 2 input.
0	Channel 1 OVL	Overload has occurred on Channel 1 input.

**Return Format** <value><NL>

<value> ::= integer in NR1 format.

- See Also**
- ["Introduction to Root \(:\) Commands"](#) on page 202
  - [":CHANnel<n>:PROTection"](#) on page 290
  - [":OPEE \(Operation Status Enable Register\)"](#) on page 217
  - [":OVLenable \(Overload Event Enable Register\)"](#) on page 223
  - ["\\*STB \(Read Status Byte\)"](#) on page 193
  - ["\\*SRE \(Service Request Enable\)"](#) on page 191

## :PRINT

**C** (see [page 1172](#))

**Command Syntax** :PRINT [<options>]

<options> ::= [<print option>][,...,<print option>]

<print option> ::= {COLor | GRAYscale | PRINter0 | PRINter1 | BMP8bit  
| BMP | PNG | NOFactors | FACTors}

The <print option> parameter may be repeated up to 5 times.

The PRINT command formats the output according to the currently selected format (device). If an option is not specified, the value selected in the Print Config menu is used.

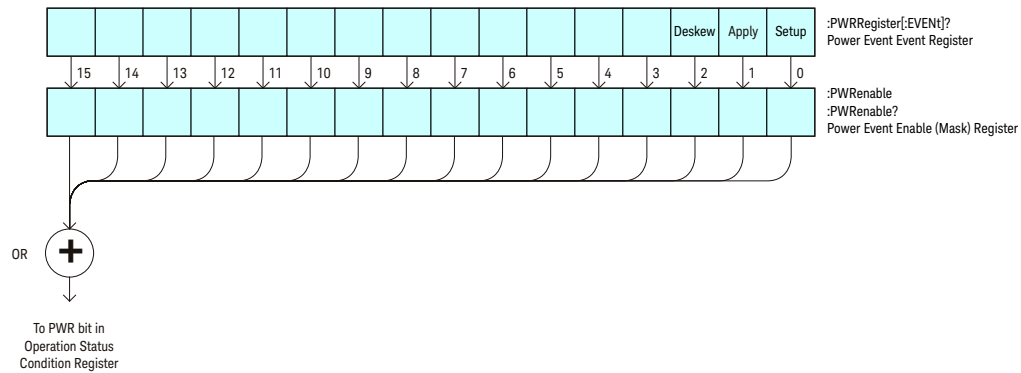
- See Also**
- ["Introduction to Root \(:\) Commands"](#) on page 202
  - ["Introduction to :HARDcopy Commands"](#) on page 376
  - [":HARDcopy:FACTors"](#) on page 379
  - [":HARDcopy:GRAYscale"](#) on page 1099
  - [":DISPlay:DATA"](#) on page 318

## :PWRenable (Power Event Enable Register)

**N** (see [page 1172](#))

**Command Syntax** :PWRenable <mask>  
 <mask> ::= 16-bit integer

The :PWRenable command sets a mask in the Power Event Enable register. Set any of the following bits to "1" to enable bit 7 in the Operation Status Condition Register and potentially cause an SRQ (Service Request) interrupt to be generated.



**Table 78** Power Event Enable Register (PWRenable)

Bit	Name	Description	When Set (1 = High = True), Enables:
15-3	---	---	(Not used.)
2	Deskew	Deskew Complete	Power analysis deskew is complete.
1	Apply	Apply Complete	Power analysis apply feature is complete.
0	Setup	Setup Complete	Power analysis auto setup feature is complete.

**Query Syntax** :PWRenable?

The :PWRenable? query returns the current value contained in the Power Event Enable register as an integer number.

**Return Format** <value><NL>  
 <value> ::= integer in NR1 format.

- See Also**
- ["Introduction to Root \(:\) Commands"](#) on page 202
  - [":AER \(Arm Event Register\)"](#) on page 204
  - [":CHANnel<n>:PROTECTION"](#) on page 290

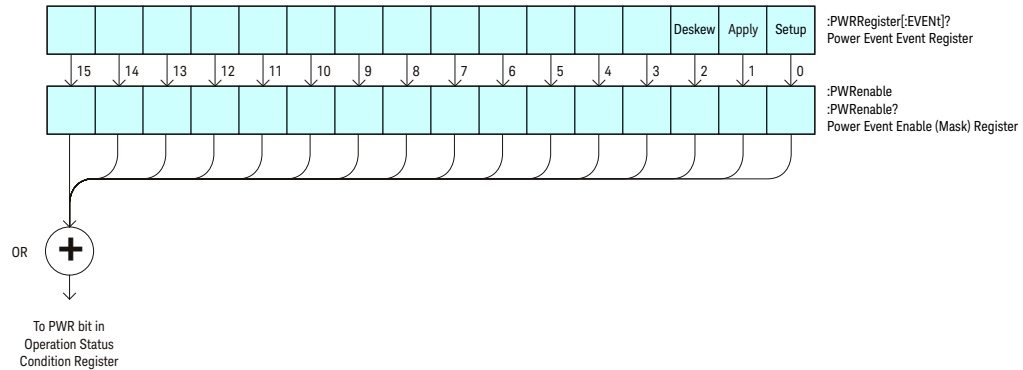
- **":OPERRegister[:EVENT] (Operation Status Event Register)"** on page 221
- **":OVLenable (Overload Event Enable Register)"** on page 223
- **":OVLRegister (Overload Event Register)"** on page 225
- **"\*STB (Read Status Byte)"** on page 193
- **"\*SRE (Service Request Enable)"** on page 191

:PWRRegister[:EVENT] (Power Event Event Register)

**N** (see [page 1172](#))

**Query Syntax** :PWRRegister[:EVENT]?

The :PWRRegister[:EVENT]? query returns the integer value contained in the Power Event Event Register and clears the register.



**Table 79** Power Event Event Register

Bit	Name	Description	When Set (1 = High = True), Indicates:
15-3	---	---	(Not used.)
2	Deskew	Deskew Complete	Power analysis deskew is complete.
1	Apply	Apply Complete	Power analysis apply feature is complete.
0	Setup	Setup Complete	Power analysis auto setup feature is complete.

**Return Format** <value><NL>  
 <value> ::= integer in NR1 format.

- See Also**
- ["Introduction to Root \(:\) Commands"](#) on page 202
  - [":CHANnel<n>:PROTection"](#) on page 290
  - [":OPEE \(Operation Status Enable Register\)"](#) on page 217
  - [":OPERegister:CONDition \(Operation Status Condition Register\)"](#) on page 219
  - [":OVLenable \(Overload Event Enable Register\)"](#) on page 223
  - [":OVLRegister \(Overload Event Register\)"](#) on page 225
  - ["\\*STB \(Read Status Byte\)"](#) on page 193
  - ["\\*SRE \(Service Request Enable\)"](#) on page 191

## :RState?

**N** (see [page 1172](#))

**Query Syntax** :RState?

The :RState? query returns the run state:

- RUN – The oscilloscope is acquiring and displaying new waveforms.
- STOP – The oscilloscope is no longer acquiring new waveforms.
- SING – A single acquisition has been started and the oscilloscope is waiting for the trigger condition to be met.

These are the same run states displayed on the front panel and in the user interface.

**Return Format** {RUN | STOP | SING}<NL>

- See Also**
- [":RUN"](#) on page 232
  - [":SINGle"](#) on page 234
  - [":STOP"](#) on page 236
  - [":OPERRegister\[:EVENT\] \(Operation Status Event Register\)"](#) on page 221

**:RUN**

**C** (see [page 1172](#))

**Command Syntax** :RUN

The :RUN command starts repetitive acquisitions. This is the same as pressing the Run key on the front panel.

- See Also**
- ["Introduction to Root \(:\) Commands"](#) on page 202
  - [":SINGLE"](#) on page 234
  - [":STOP"](#) on page 236

**Example Code**

```
' RUN_STOP - (not executed in this example)
' - RUN starts the data acquisition for the active waveform display.
' - STOP stops the data acquisition and turns off AUTOSTORE.
' myScope.WriteString ":RUN"      ' Start data acquisition.
' myScope.WriteString ":STOP"    ' Stop the data acquisition.
```

See complete example programs at: [Chapter 40](#), "Programming Examples," starting on page 1181



:SERial

**N** (see [page 1172](#))

**Query Syntax** :SERial?

The :SERial? query returns the serial number of the instrument.

**Return Format:** Unquoted string<NL>

**See Also** • ["Introduction to Root \(:\) Commands"](#) on page 202

## :SINGle

**C** (see [page 1172](#))

**Command Syntax** :SINGle

The :SINGle command causes the instrument to acquire a single trigger of data. This is the same as pressing the Single key on the front panel.

- See Also**
- ["Introduction to Root \(:\) Commands"](#) on page 202
  - [":RUN"](#) on page 232
  - [":STOP"](#) on page 236

## :STATus

**N** (see [page 1172](#))

**Query Syntax** :STATus? <source>

<source> ::= {CHANnel<n> | FUNction | MATH | SBUS{1 | 2} | WMEMory<r>}  
for the DSO models

<source> ::= {CHANnel<n> | DIGital<d> | POD{1 | 2}  
| BUS{1 | 2} | FUNction | MATH | SBUS{1 | 2} | WMEMory<r>}  
for the MSO models

<n> ::= 1 to (# analog channels) in NR1 format

<d> ::= 0 to (# digital channels - 1) in NR1 format

<r> ::= 1 to (# ref waveforms) in NR1 format

The :STATus? query reports whether the channel, function, or serial decode bus specified by <source> is displayed.

**NOTE**

MATH is an alias for FUNCTION.

**Return Format** <value><NL>

<value> ::= {1 | 0}

- See Also**
- ["Introduction to Root \(:\) Commands"](#) on page 202
  - [":BLANK"](#) on page 210
  - [":CHANnel<n>:DISPlay"](#) on page 279
  - [":DIGital<d>:DISPlay"](#) on page 305
  - [":FUNction:DISPlay"](#) on page 351
  - [":POD<n>:DISPlay"](#) on page 549
  - [":WMEMory<r>:DISPlay"](#) on page 1072
  - [":VIEW"](#) on page 238

## :STOP

**C** (see [page 1172](#))

**Command Syntax**    :STOP

The :STOP command stops the acquisition. This is the same as pressing the Stop key on the front panel.

- See Also**
- ["Introduction to Root \(:\) Commands"](#) on page 202
  - [":RUN"](#) on page 232
  - [":SINGle"](#) on page 234

- Example Code**
- ["Example Code"](#) on page 232

## :TER (Trigger Event Register)

**C** (see [page 1172](#))

**Query Syntax** :TER?

The :TER? query reads the Trigger Event Register. After the Trigger Event Register is read, it is cleared. A one indicates a trigger has occurred. A zero indicates a trigger has not occurred.

The Trigger Event Register is summarized in the TRG bit of the Status Byte Register (STB). A Service Request (SRQ) can be generated when the TRG bit of the Status Byte transitions, and the TRG bit is set in the Service Request Enable register. The Trigger Event Register must be cleared each time you want a new service request to be generated.

**Return Format** <value><NL>

<value> ::= {1 | 0}; a 16-bit integer in NR1 format.

- See Also**
- ["Introduction to Root \(:\) Commands"](#) on page 202
  - ["\\*SRE \(Service Request Enable\)"](#) on page 191
  - ["\\*STB \(Read Status Byte\)"](#) on page 193

## :VIEW

**N** (see [page 1172](#))

## Command Syntax

```
:VIEW <source>
```

```
<source> ::= {CHANnel<n> | FUNction | MATH | SBUS{1 | 2} | WMEMory<r>}
           for DSO models
```

```
<source> ::= {CHANnel<n> | DIGital<d> | POD{1 | 2}
           | BUS{1 | 2} | FUNction | MATH | SBUS{1 | 2} | WMEMory<r>}
           for MSO models
```

```
<n> ::= 1 to (# analog channels) in NR1 format
```

```
<d> ::= 0 to (# digital channels - 1) in NR1 format
```

```
<r> ::= 1 to (# ref waveforms) in NR1 format
```

The :VIEW command turns on the specified channel, function, or serial decode bus.

**NOTE**

MATH is an alias for FUNction.

- See Also
- ["Introduction to Root \(:\) Commands"](#) on page 202
  - [":BLANK"](#) on page 210
  - [":CHANnel<n>:DISPlay"](#) on page 279
  - [":DIGital<d>:DISPlay"](#) on page 305
  - [":FUNction:DISPlay"](#) on page 351
  - [":POD<n>:DISPlay"](#) on page 549
  - [":WMEMory<r>:DISPlay"](#) on page 1072
  - [":STATus"](#) on page 235

## Example Code

```
' VIEW_BLANK - (not executed in this example)
' - VIEW turns on (starts displaying) a channel.
' - BLANK turns off (stops displaying) a channel.
' myScope.WriteString ":BLANK CHANnel1"    ' Turn channel 1 off.
' myScope.WriteString ":VIEW CHANnel1"    ' Turn channel 1 on.
```

See complete example programs at: [Chapter 40](#), "Programming Examples," starting on page 1181

## 7 :ACQuire Commands

Set the parameters for acquiring and storing data. See "[Introduction to :ACQuire Commands](#)" on page 239.

**Table 80** :ACQuire Commands Summary

Command	Query	Options and Query Returns
:ACQuire:COMPLete <complete> (see <a href="#">page 241</a> )	:ACQuire:COMPLete? (see <a href="#">page 241</a> )	<complete> ::= 100; an integer in NR1 format
:ACQuire:COUNT <count> (see <a href="#">page 242</a> )	:ACQuire:COUNT? (see <a href="#">page 242</a> )	<count> ::= an integer from 2 to 65536 in NR1 format
:ACQuire:MODE <mode> (see <a href="#">page 243</a> )	:ACQuire:MODE? (see <a href="#">page 243</a> )	<mode> ::= {RTIME   SEGMENTed}
n/a	:ACQuire:POINTs? (see <a href="#">page 244</a> )	<# points> ::= an integer in NR1 format
:ACQuire:SEGMENTed:ANALyze (see <a href="#">page 245</a> )	n/a	n/a (with Option SGM)
:ACQuire:SEGMENTed:COUNT <count> (see <a href="#">page 246</a> )	:ACQuire:SEGMENTed:COUNT? (see <a href="#">page 246</a> )	<count> ::= an integer from 2 to 1000 in NR1 format (with Option SGM)
:ACQuire:SEGMENTed:INDEX <index> (see <a href="#">page 247</a> )	:ACQuire:SEGMENTed:INDEX? (see <a href="#">page 247</a> )	<index> ::= an integer from 1 to 1000 in NR1 format (with Option SGM)
n/a	:ACQuire:SRATE? (see <a href="#">page 250</a> )	<sample_rate> ::= sample rate (samples/s) in NR3 format
:ACQuire:TYPE <type> (see <a href="#">page 251</a> )	:ACQuire:TYPE? (see <a href="#">page 251</a> )	<type> ::= {NORMAL   AVERAGE   HRESolution   PEAK}

**Introduction to :ACQuire Commands** The ACQuire subsystem controls the way in which waveforms are acquired. These acquisition types are available: normal, averaging, peak detect, and high resolution.

Normal

The :ACquire:TYPE NORMal command sets the oscilloscope in the normal acquisition mode. For the majority of user models and signals, NORMal mode yields the best oscilloscope picture of the waveform.

### Averaging

The :ACquire:TYPE AVERage command sets the oscilloscope in the averaging mode. You can set the count by sending the :ACquire:COUNT command followed by the number of averages. In this mode, the value for averages is an integer from 2 to 65536. The COUNT value determines the number of averages that must be acquired.

### High-Resolution

The :ACquire:TYPE HRESolution command sets the oscilloscope in the high-resolution mode (also known as *smoothing*). This mode is used to reduce noise at slower sweep speeds where the digitizer samples faster than needed to fill memory for the displayed time range. Instead of decimating samples, they are averaged together to provide the value for one display point. The slower the sweep speed, the greater the number of samples that are averaged together for each display point.

### Peak Detect

The :ACquire:TYPE PEAK command sets the oscilloscope in the peak detect mode. In this mode, :ACquire:COUNT has no meaning.

### Reporting the Setup

Use :ACquire? to query setup information for the ACquire subsystem.

### Return Format

The following is a sample response from the :ACquire? query. In this case, the query was issued following a \*RST command.

```
:ACQ:MODE RTIM;TYPE NORM;COMP 100;COUNT 8;SEGM:COUN 2
```



## :ACquire:COMplete

**C** (see [page 1172](#))

**Command Syntax** :ACquire:COMplete <complete>  
 <complete> ::= 100; an integer in NR1 format

The :ACquire:COMplete command affects the operation of the :DIGitize command. It specifies the minimum completion criteria for an acquisition. The parameter determines the percentage of the time buckets that must be "full" before an acquisition is considered complete. If :ACquire:TYPE is NORMAl, it needs only one sample per time bucket for that time bucket to be considered full.

The only legal value for the :COMplete command is 100. All time buckets must contain data for the acquisition to be considered complete.

**Query Syntax** :ACquire:COMplete?

The :ACquire:COMplete? query returns the completion criteria (100) for the currently selected mode.

**Return Format** <completion\_criteria><NL>  
 <completion\_criteria> ::= 100; an integer in NR1 format

- See Also**
- ["Introduction to :ACquire Commands"](#) on page 239
  - [":ACquire:TYPE"](#) on page 251
  - [":DIGitize"](#) on page 211
  - [":WAVeform:POINts"](#) on page 1004

**Example Code**

```
' AQUIRE_COMPLETE - Specifies the minimum completion criteria for
' an acquisition. The parameter determines the percentage of time
' buckets needed to be "full" before an acquisition is considered
' to be complete.
myScope.WriteString ":ACquire:COMplete 100"
```

See complete example programs at: [Chapter 40](#), "Programming Examples," starting on page 1181

## :ACquire:COUNT

**C** (see [page 1172](#))

**Command Syntax** :ACquire:COUNT <count>  
<count> ::= integer in NR1 format

In averaging mode, the :ACquire:COUNT command specifies the number of values to be averaged for each time bucket before the acquisition is considered to be complete for that time bucket. When :ACquire:TYPE is set to AVERage, the count can be set to any value from 2 to 65536.

### NOTE

The :ACquire:COUNT 1 command has been deprecated. The AVERage acquisition type with a count of 1 is functionally equivalent to the HRESolution acquisition type; however, you should select the high-resolution acquisition mode with the :ACquire:TYPE HRESolution command instead.

**Query Syntax** :ACquire:COUNT?

The :ACquire:COUNT? query returns the currently selected count value for averaging mode.

**Return Format** <count\_argument><NL>  
<count\_argument> ::= an integer from 2 to 65536 in NR1 format

- See Also**
- ["Introduction to :ACquire Commands"](#) on page 239
  - [":ACquire:TYPE"](#) on page 251
  - [":DIGitize"](#) on page 211
  - [":WAVeform:COUNT"](#) on page 1000

## :ACquire:MODE

**C** (see [page 1172](#))

**Command Syntax** :ACquire:MODE <mode>  
 <mode> ::= {RTIME | SEGmented}

The :ACquire:MODE command sets the acquisition mode of the oscilloscope.

- The :ACquire:MODE RTIME command sets the oscilloscope in real time mode.

**NOTE**

The obsolete command ACquire:TYPE:REALtime is functionally equivalent to sending ACquire:MODE RTIME; TYPE NORMAl.

- The :ACquire:MODE SEGmented command sets the oscilloscope in segmented memory mode.

**Query Syntax** :ACquire:MODE?

The :ACquire:MODE? query returns the acquisition mode of the oscilloscope.

**Return Format** <mode\_argument><NL>  
 <mode\_argument> ::= {RTIM | SEGM}

- See Also**
- ["Introduction to :ACquire Commands"](#) on page 239
  - [":ACquire:TYPE"](#) on page 251

## :ACquire:POINts

**C** (see [page 1172](#))

**Query Syntax** :ACquire:POINts?

The :ACquire:POINts? query returns the number of data points that the hardware will acquire from the input signal. The number of points acquired is not directly controllable. To set the number of points to be transferred from the oscilloscope, use the command :WAVEform:POINts. The :WAVEform:POINts? query will return the number of points available to be transferred from the oscilloscope.

**Return Format** <points\_argument><NL>

<points\_argument> ::= an integer in NR1 format

- See Also**
- ["Introduction to :ACquire Commands"](#) on page 239
  - [":DIGitize"](#) on page 211
  - [":WAVEform:POINts"](#) on page 1004

## :ACQUIRE:SEGMENTED:ANALYZE

**N** (see [page 1172](#))

**Command Syntax** :ACQUIRE:SEGMENTED:ANALYZE

### NOTE

This command is available when the segmented memory license (SGM) is enabled.

---

This command calculates measurement statistics and/or infinite persistence over all segments that have been acquired. It corresponds to the front panel **Analyze Segments** softkey which appears in both the Measurement Statistics and Segmented Memory Menus.

In order to use this command, the oscilloscope must be stopped and in segmented acquisition mode, with either quick measurements or infinite persistence on.

- See Also**
- [":ACQUIRE:MODE"](#) on page 243
  - [":ACQUIRE:SEGMENTED:COUNT"](#) on page 246
  - ["Introduction to :ACQUIRE Commands"](#) on page 239

## :ACquire:SEGmented:COUNT

**N** (see [page 1172](#))

**Command Syntax** :ACquire:SEGmented:COUNT <count>  
<count> ::= an integer from 2 to 1000 (w/4M memory) in NR1 format

**NOTE**

This command is available when the segmented memory option (Option SGM) is enabled.

The :ACquire:SEGmented:COUNT command sets the number of memory segments to acquire.

The segmented memory acquisition mode is enabled with the :ACquire:MODE command, and data is acquired using the :DIGitize, :SINGLE, or :RUN commands. The number of memory segments in the current acquisition is returned by the :WAVEform:SEGmented:COUNT? query.

The maximum number of segments may be limited by the memory depth of your oscilloscope. For example, an oscilloscope with 1M memory allows a maximum of 250 segments.

**Query Syntax** :ACquire:SEGmented:COUNT?

The :ACquire:SEGmented:COUNT? query returns the current count setting.

**Return Format** <count><NL>  
<count> ::= an integer from 2 to 1000 (w/4M memory) in NR1 format

- See Also**
- [":ACquire:MODE"](#) on page 243
  - [":DIGitize"](#) on page 211
  - [":SINGLE"](#) on page 234
  - [":RUN"](#) on page 232
  - [":WAVEform:SEGmented:COUNT"](#) on page 1011
  - [":ACquire:SEGmented:ANALyze"](#) on page 245
  - ["Introduction to :ACquire Commands"](#) on page 239

**Example Code** • ["Example Code"](#) on page 247

## :ACquire:SEGmented:INDEX

**N** (see [page 1172](#))

**Command Syntax** :ACquire:SEGmented:INDEX <index>  
 <index> ::= an integer from 1 to 1000 (w/4M memory) in NR1 format

**NOTE**

This command is available when the segmented memory option (Option SGM) is enabled.

The :ACquire:SEGmented:INDEX command sets the index into the memory segments that have been acquired.

The segmented memory acquisition mode is enabled with the :ACquire:MODE command. The number of segments to acquire is set using the :ACquire:SEGmented:COUNT command, and data is acquired using the :DIGitize, :SINGLE, or :RUN commands. The number of memory segments that have been acquired is returned by the :WAVEform:SEGmented:COUNT? query. The time tag of the currently indexed memory segment is returned by the :WAVEform:SEGmented:TTAG? query.

The maximum number of segments may be limited by the memory depth of your oscilloscope. For example, an oscilloscope with 1M memory allows a maximum of 250 segments.

**Query Syntax** :ACquire:SEGmented:INDEX?

The :ACquire:SEGmented:INDEX? query returns the current segmented memory index setting.

**Return Format** <index><NL>  
 <index> ::= an integer from 1 to 1000 (w/4M memory) in NR1 format

- See Also**
- [":ACquire:MODE"](#) on page 243
  - [":ACquire:SEGmented:COUNT"](#) on page 246
  - [":DIGitize"](#) on page 211
  - [":SINGLE"](#) on page 234
  - [":RUN"](#) on page 232
  - [":WAVEform:SEGmented:COUNT"](#) on page 1011
  - [":WAVEform:SEGmented:TTAG"](#) on page 1012
  - [":ACquire:SEGmented:ANALyze"](#) on page 245
  - ["Introduction to :ACquire Commands"](#) on page 239

**Example Code** ' Segmented memory commands example.  
 ' -----

```

Option Explicit

Public myMgr As VisaComLib.ResourceManager
Public myScope As VisaComLib.FormattedIO488
Public varQueryResult As Variant
Public strQueryResult As String

Private Declare Sub Sleep Lib "kernel32" (ByVal dwMilliseconds As Long)

Sub Main()

    On Error GoTo VisaComError

    ' Create the VISA COM I/O resource.
    Set myMgr = New VisaComLib.ResourceManager
    Set myScope = New VisaComLib.FormattedIO488
    Set myScope.IO = _
        myMgr.Open("USB0::0x0957::0x17A6::US50210029::0::INSTR")
    myScope.IO.Clear ' Clear the interface.

    ' Turn on segmented memory acquisition mode.
    myScope.WriteString ":ACquire:MODE SEGmented"
    myScope.WriteString ":ACquire:MODE?"
    strQueryResult = myScope.ReadString
    Debug.Print "Acquisition mode: " + strQueryResult

    ' Set the number of segments to 25.
    myScope.WriteString ":ACquire:SEGmented:COUNT 25"
    myScope.WriteString ":ACquire:SEGmented:COUNT?"
    strQueryResult = myScope.ReadString
    Debug.Print "Acquisition memory segments: " + strQueryResult

    ' If data will be acquired within the IO timeout:
    'myScope.IO.Timeout = 10000
    'myScope.WriteString ":DIGitize"
    'Debug.Print ":DIGitize blocks until all segments acquired."
    'myScope.WriteString ":WAVEform:SEGmented:COUNT?"
    'varQueryResult = myScope.ReadNumber

    ' Or, to poll until the desired number of segments acquired:
    myScope.WriteString ":SINGLE"
    Debug.Print ":SINGLE does not block until all segments acquired."
    Do
        Sleep 100 ' Small wait to prevent excessive queries.
        myScope.WriteString ":WAVEform:SEGmented:COUNT?"
        varQueryResult = myScope.ReadNumber
    Loop Until varQueryResult = 25

    Debug.Print "Number of segments in acquired data: " _
        + FormatNumber(varQueryResult)

    Dim lngSegments As Long
    lngSegments = varQueryResult

    ' For each segment:
    Dim dblTimeTag As Double

```



```

Dim lngI As Long

For lngI = lngSegments To 1 Step -1

    ' Set the segmented memory index.
    myScope.WriteString ":ACquire:SEGmented:INDEX " + CStr(lngI)
    myScope.WriteString ":ACquire:SEGmented:INDEX?"
    strQueryResult = myScope.ReadString
    Debug.Print "Acquisition memory segment index: " + strQueryResult

    ' Display the segment time tag.
    myScope.WriteString ":WAVEform:SEGmented:TTAG?"
    dblTimeTag = myScope.ReadNumber
    Debug.Print "Segment " + CStr(lngI) + " time tag: " _
        + FormatNumber(dblTimeTag, 12)

Next lngI

Exit Sub

VisaComError:
    MsgBox "VISA COM Error:" + vbCrLf + Err.Description

End Sub

```

## :ACquire:SRATe

**N** (see [page 1172](#))

**Query Syntax** :ACquire:SRATe?

The :ACquire:SRATe? query returns the current oscilloscope acquisition sample rate. The sample rate is not directly controllable.

**Return Format** <sample\_rate><NL>

<sample\_rate> ::= sample rate in NR3 format

- See Also**
- ["Introduction to :ACquire Commands"](#) on page 239
  - [":ACquire:POINts"](#) on page 244

## :ACquire:TYPE

**C** (see [page 1172](#))

**Command Syntax** :ACquire:TYPE <type>

<type> ::= {NORMAL | AVERage | HRESolution | PEAK}

The :ACquire:TYPE command selects the type of data acquisition that is to take place. The acquisition types are:

- NORMAL – sets the oscilloscope in the normal mode.
- AVERage – sets the oscilloscope in the averaging mode. You can set the count by sending the :ACquire:COUNT command followed by the number of averages. In this mode, the value for averages is an integer from 1 to 65536. The COUNT value determines the number of averages that must be acquired.

The AVERage type is not available when in segmented memory mode (:ACquire:MODE SEGmented).

- HRESolution – sets the oscilloscope in the high-resolution mode (also known as *smoothing*). This mode is used to reduce noise at slower sweep speeds where the digitizer samples faster than needed to fill memory for the displayed time range.

For example, if the digitizer samples at 200 MSa/s, but the effective sample rate is 1 MSa/s (because of a slower sweep speed), only 1 out of every 200 samples needs to be stored. Instead of storing one sample (and throwing others away), the 200 samples are averaged together to provide the value for one display point. The slower the sweep speed, the greater the number of samples that are averaged together for each display point.

- PEAK – sets the oscilloscope in the peak detect mode. In this mode, :ACquire:COUNT has no meaning.

The AVERage and HRESolution types can give you extra bits of vertical resolution. See the *User's Guide* for an explanation. When getting waveform data acquired using the AVERage and HRESolution types, be sure to use the WORD or ASCII waveform data formats to get the extra bits of vertical resolution.

**NOTE**

The obsolete command ACquire:TYPE:REALtime is functionally equivalent to sending ACquire:MODE RTIME; TYPE NORMAL.

**Query Syntax** :ACquire:TYPE?

The :ACquire:TYPE? query returns the current acquisition type.

**Return Format** <acq\_type><NL>

<acq\_type> ::= {NORM | AVER | HRES | PEAK}

- See Also
- [":Introduction to :ACquire Commands"](#) on page 239
  - [":ACquire:COUNT"](#) on page 242
  - [":ACquire:MODE"](#) on page 243
  - [":DIGitize"](#) on page 211
  - [":WAVEform:FORMat"](#) on page 1003
  - [":WAVEform:TYPE"](#) on page 1018
  - [":WAVEform:PREamble"](#) on page 1008

**Example Code**

```
' ACQUIRE_TYPE - Sets the acquisition mode, which can be NORMAL,  
' PEAK, or AVERAGE.  
myScope.WriteString ":ACquire:TYPE NORMAL"
```

See complete example programs at: [Chapter 40](#), "Programming Examples," starting on page 1181

## 8 :BUS<n> Commands

Control all oscilloscope functions associated with buses made up of digital channels. See "[Introduction to :BUS<n> Commands](#)" on page 254.

**Table 81** :BUS<n> Commands Summary

Command	Query	Options and Query Returns
:BUS<n>:BIT<m> {{0   OFF}   {1   ON}} (see <a href="#">page 255</a> )	:BUS<n>:BIT<m>? (see <a href="#">page 255</a> )	{0   1} <n> ::= 1 or 2; an integer in NR1 format <m> ::= 0-15; an integer in NR1 format
:BUS<n>:BITS <channel_list>, {{0   OFF}   {1   ON}} (see <a href="#">page 256</a> )	:BUS<n>:BITS? (see <a href="#">page 256</a> )	<channel_list>, {0   1} <channel_list> ::= (@<m>, <m>:<m> ...) where "," is separator and ":" is range <n> ::= 1 or 2; an integer in NR1 format <m> ::= 0-15; an integer in NR1 format
:BUS<n>:CLear (see <a href="#">page 258</a> )	n/a	<n> ::= 1 or 2; an integer in NR1 format
:BUS<n>:DISPlay {{0   OFF}   {1   ON}} (see <a href="#">page 259</a> )	:BUS<n>:DISPlay? (see <a href="#">page 259</a> )	{0   1} <n> ::= 1 or 2; an integer in NR1 format

**Table 81** :BUS<n> Commands Summary (continued)

Command	Query	Options and Query Returns
:BUS<n>:LABel <string> (see page 260)	:BUS<n>:LABel? (see page 260)	<string> ::= quoted ASCII string up to 10 characters <n> ::= 1 or 2; an integer in NR1 format
:BUS<n>:MASK <mask> (see page 261)	:BUS<n>:MASK? (see page 261)	<mask> ::= 32-bit integer in decimal, <nondecimal>, or <string> <nondecimal> ::= #Hnn...n where n ::= {0,...,9   A,...,F} for hexadecimal <nondecimal> ::= #Bnn...n where n ::= {0   1} for binary <string> ::= "0xnn...n" where n ::= {0,...,9   A,...,F} for hexadecimal <n> ::= 1 or 2; an integer in NR1 format

**Introduction to  
:BUS<n>  
Commands**

<n> ::= {1 | 2}

The BUS subsystem commands control the viewing, labeling, and digital channel makeup of two possible buses.

**NOTE**

These commands are only valid for the MSO models.

**Reporting the Setup**

Use :BUS<n>? to query setup information for the BUS subsystem.

**Return Format**

The following is a sample response from the :BUS1? query. In this case, the query was issued following a \*RST command.

```
:BUS1:DISP 0;LAB "BUS1";MASK +255
```

:BUS&lt;n&gt;:BIT&lt;m&gt;

**N** (see [page 1172](#))**Command Syntax** :BUS<n>:BIT<m> <display>

&lt;display&gt; ::= {{1 | ON} | {0 | OFF}}

&lt;n&gt; ::= An integer, 1 or 2, is attached as a suffix to BUS and defines the bus that is affected by the command.

&lt;m&gt; ::= An integer, 0,...,15, is attached as a suffix to BIT and defines the digital channel that is affected by the command.

The :BUS<n>:BIT<m> command includes or excludes the selected bit as part of the definition for the selected bus. If the parameter is a 1 (ON), the bit is included in the definition. If the parameter is a 0 (OFF), the bit is excluded from the definition. *Note:* BIT0-15 correspond to DIGital0-15.

**NOTE**

This command is only valid for the MSO models.

**Query Syntax** :BUS<n>:BIT<m>?

The :BUS<n>:BIT<m>? query returns the value indicating whether the specified bit is included or excluded from the specified bus definition.

**Return Format** <display><NL>

&lt;display&gt; ::= {0 | 1}

- See Also**
- ["Introduction to :BUS<n> Commands"](#) on page 254
  - [":BUS<n>:BITS"](#) on page 256
  - [":BUS<n>:CLEar"](#) on page 258
  - [":BUS<n>:DISPlay"](#) on page 259
  - [":BUS<n>:LABel"](#) on page 260
  - [":BUS<n>:MASK"](#) on page 261

**Example Code**

```
' Include digital channel 1 in bus 1:
myScope.WriteString ":BUS1:BIT1 ON"
```

## :BUS<n>:BITS

**N** (see [page 1172](#))

**Command Syntax** :BUS<n>:BITS <channel\_list>, <display>

<channel\_list> ::= (@<m>,<m>:<m>, ...) where commas separate bits and colons define bit ranges.

<m> ::= An integer, 0,...,15, defines a digital channel affected by the command.

<display> ::= {{1 | ON} | {0 | OFF}}

<n> ::= An integer, 1 or 2, is attached as a suffix to BUS and defines the bus that is affected by the command.

The :BUS<n>:BITS command includes or excludes the selected bits in the channel list in the definition of the selected bus. If the parameter is a 1 (ON) then the bits in the channel list are included as part of the selected bus definition. If the parameter is a 0 (OFF) then the bits in the channel list are excluded from the definition of the selected bus.

### NOTE

This command is only valid for the MSO models.

**Query Syntax** :BUS<n>:BITS?

The :BUS<n>:BITS? query returns the definition for the specified bus.

**Return Format** <channel\_list>, <display><NL>

<channel\_list> ::= (@<m>,<m>:<m>, ...) where commas separate bits and colons define bit ranges.

<display> ::= {0 | 1}

- See Also**
- ["Introduction to :BUS<n> Commands"](#) on page 254
  - [":BUS<n>:BIT<m>"](#) on page 255
  - [":BUS<n>:CLEar"](#) on page 258
  - [":BUS<n>:DISPlay"](#) on page 259
  - [":BUS<n>:LABel"](#) on page 260
  - [":BUS<n>:MASK"](#) on page 261

**Example Code**

```
' Include digital channels 1, 2, 4, 5, 6, 7, 8, and 9 in bus 1:
myScope.WriteString ":BUS1:BITS (@1,2,4:9), ON"

' Include digital channels 1, 5, 7, and 9 in bus 1:
myScope.WriteString ":BUS1:BITS (@1,5,7,9), ON"

' Include digital channels 1 through 15 in bus 1:
```



```
myScope.WriteString ":BUS1:BITS (@1:15), ON"  
  
' Include digital channels 1 through 5, 8, and 14 in bus 1:  
myScope.WriteString ":BUS1:BITS (@1:5,8,14), ON"
```

## :BUS<n>:CLEAr

**N** (see [page 1172](#))

**Command Syntax** :BUS<n>:CLEAr

<n> ::= An integer, 1 or 2, is attached as a suffix to BUS and defines the bus that is affected by the command.

The :BUS<n>:CLEAr command excludes all of the digital channels from the selected bus definition.

### NOTE

This command is only valid for the MSO models.

- 
- See Also**
- ["Introduction to :BUS<n> Commands"](#) on page 254
  - [":BUS<n>:BIT<m>"](#) on page 255
  - [":BUS<n>:BITS"](#) on page 256
  - [":BUS<n>:DISPlay"](#) on page 259
  - [":BUS<n>:LABel"](#) on page 260
  - [":BUS<n>:MASK"](#) on page 261

## :BUS&lt;n&gt;:DISPlay

**N** (see [page 1172](#))

**Command Syntax** :BUS<n>:DISplay <value>

<value> ::= {{1 | ON} | {0 | OFF}}

<n> ::= An integer, 1 or 2, is attached as a suffix to BUS and defines the bus that is affected by the command.

The :BUS<n>:DISPlay command enables or disables the view of the selected bus.

**NOTE**

This command is only valid for the MSO models.

**Query Syntax** :BUS<n>:DISPlay?

The :BUS<n>:DISPlay? query returns the display value of the selected bus.

**Return Format** <value><NL>

<value> ::= {0 | 1}

- See Also**
- ["Introduction to :BUS<n> Commands"](#) on page 254
  - [":BUS<n>:BIT<m>"](#) on page 255
  - [":BUS<n>:BITS"](#) on page 256
  - [":BUS<n>:CLEar"](#) on page 258
  - [":BUS<n>:LABel"](#) on page 260
  - [":BUS<n>:MASK"](#) on page 261

**:BUS<n>:LABel**

**N** (see [page 1172](#))

**Command Syntax** :BUS<n>:LABel <quoted\_string>

<quoted\_string> ::= any series of 10 or less characters as a quoted ASCII string.

<n> ::= An integer, 1 or 2, is attached as a suffix to BUS and defines the bus that is affected by the command.

The :BUS<n>:LABel command sets the bus label to the quoted string. Setting a label for a bus will also result in the name being added to the label list.

**NOTE**

This command is only valid for the MSO models.

**NOTE**

Label strings are 10 characters or less, and may contain any commonly used ASCII characters. Labels with more than 10 characters are truncated to 10 characters.

**Query Syntax** :BUS<n>:LABel?

The :BUS<n>:LABel? query returns the name of the specified bus.

**Return Format** <quoted\_string><NL>

<quoted\_string> ::= any series of 10 or less characters as a quoted ASCII string.

- See Also**
- ["Introduction to :BUS<n> Commands"](#) on page 254
  - [":BUS<n>:BIT<m>"](#) on page 255
  - [":BUS<n>:BITS"](#) on page 256
  - [":BUS<n>:CLEar"](#) on page 258
  - [":BUS<n>:DISPlay"](#) on page 259
  - [":BUS<n>:MASK"](#) on page 261
  - [":CHANnel<n>:LABel"](#) on page 282
  - [":DISPlay:LABList"](#) on page 322
  - [":DIGital<d>:LABel"](#) on page 306

**Example Code**

```
' Set the bus 1 label to "Data":
myScope.WriteString ":BUS1:LABel 'Data'
```

## :BUS&lt;n&gt;:MASK

**N** (see [page 1172](#))

**Command Syntax** :BUS<n>:MASK <mask>

<mask> ::= 32-bit integer in decimal, <nondecimal>, or <string>

<nondecimal> ::= #Hnn...n where n ::= {0,...,9 | A,...,F} for hexadecimal

<nondecimal> ::= #Bnn...n where n ::= {0 | 1} for binary

<string> ::= "0xnn...n" where n ::= {0,...,9 | A,...,F} for hexadecimal

<n> ::= An integer, 1 or 2, is attached as a suffix to BUS and defines the bus that is affected by the command.

The :BUS<n>:MASK command defines the bits included and excluded in the selected bus according to the mask. Set a mask bit to a "1" to include that bit in the selected bus, and set a mask bit to a "0" to exclude it.

**NOTE**

This command is only valid for the MSO models.

**Query Syntax** :BUS<n>:MASK?

The :BUS<n>:MASK? query returns the mask value for the specified bus.

**Return Format** <mask><NL> in decimal format

- See Also**
- ["Introduction to :BUS<n> Commands"](#) on page 254
  - [":BUS<n>:BIT<m>"](#) on page 255
  - [":BUS<n>:BITS"](#) on page 256
  - [":BUS<n>:CLEar"](#) on page 258
  - [":BUS<n>:DISPlay"](#) on page 259
  - [":BUS<n>:LABel"](#) on page 260

## 8 :BUS<n> Commands

## 9 :CALibrate Commands

Utility commands for viewing calibration status and for starting the user calibration procedure. See "[Introduction to :CALibrate Commands](#)" on page 264.

**Table 82** :CALibrate Commands Summary

Command	Query	Options and Query Returns
n/a	:CALibrate:DATE? (see <a href="#">page 265</a> )	<return value> ::= <year>,<month>,<day>; all in NR1 format
:CALibrate:LABel <string> (see <a href="#">page 266</a> )	:CALibrate:LABel? (see <a href="#">page 266</a> )	<string> ::= quoted ASCII string up to 32 characters
:CALibrate:OUTPut <signal> (see <a href="#">page 267</a> )	:CALibrate:OUTPut? (see <a href="#">page 267</a> )	<signal> ::= {TRIGgers   MASK   WAVEgen}
n/a	:CALibrate:PROTected? (see <a href="#">page 268</a> )	{"PROTected"   "UNPRotected"}
:CALibrate:START (see <a href="#">page 269</a> )	n/a	n/a
n/a	:CALibrate:STATus? (see <a href="#">page 270</a> )	<return value> ::= <status_code>,<status_string> <status_code> ::= an integer status code <status_string> ::= an ASCII status string
n/a	:CALibrate:TEMPerature? (see <a href="#">page 271</a> )	<return value> ::= degrees C delta since last cal in NR3 format
n/a	:CALibrate:TIME? (see <a href="#">page 272</a> )	<return value> ::= <hours>,<minutes>,<seconds>; all in NR1 format

**Introduction to  
:CALibrate  
Commands**

The CALibrate subsystem provides utility commands for:

- Determining the state of the calibration factor protection switch (CAL PROTECT).
- Saving and querying the calibration label string.
- Reporting the calibration time and date.
- Reporting changes in the temperature since the last calibration.
- Starting the user calibration procedure.



## :CALibrate:DATE

**N** (see [page 1172](#))

**Query Syntax** :CALibrate:DATE?

The :CALibrate:DATE? query returns the date of the last calibration.

**Return Format** <date><NL>

<date> ::= year,month,day in NR1 format<NL>

**See Also** • ["Introduction to :CALibrate Commands"](#) on page 264

## :CALibrate:LABel

**N** (see [page 1172](#))

**Command Syntax** :CALibrate:LABel <string>

<string> ::= quoted ASCII string of up to 32 characters in length, not including the quotes

The CALibrate:LABel command saves a string that is up to 32 characters in length into the instrument's non-volatile memory. The string may be used to record calibration dates or other information as needed.

**Query Syntax** :CALibrate:LABel?

The :CALibrate:LABel? query returns the contents of the calibration label string.

**Return Format** <string><NL>

<string> ::= unquoted ASCII string of up to 32 characters in length

**See Also** • ["Introduction to :CALibrate Commands"](#) on page 264

## :CALibrate:OUTPut

**N** (see [page 1172](#))

**Command Syntax** :CALibrate:OUTPut <signal>

<signal> ::= {TRIGgers | MASK | WAVEgen}

The CALibrate:OUTPut command sets the signal that is available on the rear panel TRIG OUT BNC:

- TRIGgers – pulse when a trigger event occurs.
- MASK – signal from mask test indicating a failure.
- WAVEgen – waveform generator sync output signal. This signal depends on the :WGEN:FUNCTION setting:

Waveform Type	Sync Signal Characteristics
SINusoid, SQUare, RAMP, PULSe, SINC, EXPRise, EXPFall, GAUSSian	The Sync signal is a TTL positive pulse that occurs when the waveform rises above zero volts (or the DC offset value).
DC, NOISe, CARDiac	N/A

**Query Syntax** :CALibrate:OUTPut?

The :CALibrate:OUTPut query returns the current source of the TRIG OUT BNC signal.

**Return Format** <signal><NL>

<signal> ::= {TRIG | MASK | WAVE}

- See Also**
- ["Introduction to :CALibrate Commands"](#) on page 264
  - [":WGEN:FUNCTION"](#) on page 1041

## :CALibrate:PROTeCted

**N** (see [page 1172](#))

**Query Syntax** :CALibrate:PROTeCted?

The :CALibrate:PROTeCted? query returns the rear-panel calibration protect (CAL PROTECT) button state. The value "PROTeCted" indicates calibration is disabled, and "UNPRotected" indicates calibration is enabled.

**Return Format** <switch><NL>

<switch> ::= {"PROTeCted" | "UNPRotected"}

**See Also** · ["Introduction to :CALibrate Commands"](#) on page 264

## :CALibrate:START

**N** (see [page 1172](#))

**Command Syntax** :CALibrate:START

The CALibrate:START command starts the user calibration procedure.

### NOTE

Before starting the user calibration procedure, you must set the rear panel CALIBRATION switch to UNPROTECTED, and you must connect BNC cables from the TRIG OUT connector to the analog channel inputs. See the *User's Guide* for details.

- 
- See Also**
- ["Introduction to :CALibrate Commands"](#) on page 264
  - [":CALibrate:PROTECTED"](#) on page 268

## :CALibrate:STATus

**N** (see [page 1172](#))

**Query Syntax** :CALibrate:STATus?

The :CALibrate:STATus? query returns the summary results of the last user calibration procedure.

**Return Format** <return value><NL>

<return value> ::= <status\_code>,<status\_string>

<status\_code> ::= an integer status code

<status\_string> ::= an ASCII status string

**See Also** • ["Introduction to :CALibrate Commands"](#) on page 264

## :CALibrate:TEMPerature

**N** (see [page 1172](#))

**Query Syntax** :CALibrate:TEMPerature?

The :CALibrate:TEMPerature? query returns the change in temperature since the last user calibration procedure.

**Return Format** <return value><NL>

<return value> ::= degrees C delta since last cal in NR3 format

**See Also** · ["Introduction to :CALibrate Commands"](#) on page 264

## :CALibrate:TIME

**N** (see [page 1172](#))

**Query Syntax** :CALibrate:TIME?

The :CALibrate:TIME? query returns the time of the last calibration.

**Return Format** <date><NL>

<date> ::= hour,minutes,seconds in NR1 format

**See Also** · ["Introduction to :CALibrate Commands"](#) on page 264



## 10 :CHANnel<n> Commands

Control all oscilloscope functions associated with individual analog channels or groups of channels. See "[Introduction to :CHANnel<n> Commands](#)" on page 275.

**Table 83** :CHANnel<n> Commands Summary

Command	Query	Options and Query Returns
:CHANnel<n>:BANDwidth <limit> (see <a href="#">page 276</a> )	:CHANnel<n>:BANDwidth? ? [MAXimum] (see <a href="#">page 276</a> )	<limit> ::= 25E6 in NR3 format <n> ::= 1 to (# analog channels) in NR1 format
:CHANnel<n>:BWLimit {{0   OFF}   {1   ON}} (see <a href="#">page 277</a> )	:CHANnel<n>:BWLimit? (see <a href="#">page 277</a> )	{0   1} <n> ::= 1 to (# analog channels) in NR1 format
:CHANnel<n>:COUPling <coupling> (see <a href="#">page 278</a> )	:CHANnel<n>:COUPling? (see <a href="#">page 278</a> )	<coupling> ::= {AC   DC} <n> ::= 1 to (# analog channels) in NR1 format
:CHANnel<n>:DISPlay {{0   OFF}   {1   ON}} (see <a href="#">page 279</a> )	:CHANnel<n>:DISPlay? (see <a href="#">page 279</a> )	{0   1} <n> ::= 1 to (# analog channels) in NR1 format
:CHANnel<n>:IMPedance <impedance> (see <a href="#">page 280</a> )	:CHANnel<n>:IMPedance? ? (see <a href="#">page 280</a> )	<impedance> ::= {ONEMeg   FIFTy} <n> ::= 1 to (# analog channels) in NR1 format
:CHANnel<n>:INVert {{0   OFF}   {1   ON}} (see <a href="#">page 281</a> )	:CHANnel<n>:INVert? (see <a href="#">page 281</a> )	{0   1} <n> ::= 1 to (# analog channels) in NR1 format
:CHANnel<n>:LABel <string> (see <a href="#">page 282</a> )	:CHANnel<n>:LABel? (see <a href="#">page 282</a> )	<string> ::= any series of 10 or less ASCII characters enclosed in quotation marks <n> ::= 1 to (# analog channels) in NR1 format

**Table 83** :CHANnel<n> Commands Summary (continued)

Command	Query	Options and Query Returns
:CHANnel<n>:OFFSet <offset>[suffix] (see page 283)	:CHANnel<n>:OFFSet? (see page 283)	<offset> ::= Vertical offset value in NR3 format [suffix] ::= {V   mV} <n> ::= 1-2 or 1-4; in NR1 format
:CHANnel<n>:PROBe <attenuation> (see page 284)	:CHANnel<n>:PROBe? (see page 284)	<attenuation> ::= Probe attenuation ratio in NR3 format <n> ::= 1-2 or 1-4; in NR1 format
:CHANnel<n>:PROBe:CAL ibration (see page 285)	n/a	n/a
:CHANnel<n>:PROBe:HEA D[:TYPE] <head_param> (see page 286)	:CHANnel<n>:PROBe:HEA D[:TYPE]? (see page 286)	<head_param> ::= {SEND0   SEND6   SEND12   SEND20   DIFF0   DIFF6   DIFF12   DIFF20   NONE} <n> ::= 1 to (# analog channels) in NR1 format
n/a	:CHANnel<n>:PROBe:ID? (see page 287)	<probe id> ::= unquoted ASCII string up to 11 characters <n> ::= 1 to (# analog channels) in NR1 format
:CHANnel<n>:PROBe:SKE W <skew_value> (see page 288)	:CHANnel<n>:PROBe:SKE W? (see page 288)	<skew_value> ::= -100 ns to +100 ns in NR3 format <n> ::= 1 to (# analog channels) in NR1 format
:CHANnel<n>:PROBe:STY Pe <signal type> (see page 289)	:CHANnel<n>:PROBe:STY Pe? (see page 289)	<signal type> ::= {DIFFerential   SINGle} <n> ::= 1 to (# analog channels) in NR1 format
:CHANnel<n>:PROTection (see page 290)	:CHANnel<n>:PROTection? (see page 290)	{NORM   TRIP} <n> ::= 1 to (# analog channels) in NR1 format
:CHANnel<n>:RANGe <range>[suffix] (see page 291)	:CHANnel<n>:RANGe? (see page 291)	<range> ::= Vertical full-scale range value in NR3 format [suffix] ::= {V   mV} <n> ::= 1 to (# analog channels) in NR1 format

**Table 83** :CHANnel<n> Commands Summary (continued)

Command	Query	Options and Query Returns
:CHANnel<n>:SCALE <scale>[suffix] (see page 292)	:CHANnel<n>:SCALE? (see page 292)	<scale> ::= Vertical units per division value in NR3 format [suffix] ::= {V   mV} <n> ::= 1 to (# analog channels) in NR1 format
:CHANnel<n>:UNITs <units> (see page 293)	:CHANnel<n>:UNITs? (see page 293)	<units> ::= {VOLT   AMPere} <n> ::= 1 to (# analog channels) in NR1 format
:CHANnel<n>:VERNier {0   OFF}   {1   ON} (see page 294)	:CHANnel<n>:VERNier? (see page 294)	{0   1} <n> ::= 1 to (# analog channels) in NR1 format

#### Introduction to :CHANnel<n> Commands

<n> ::= 1 to (# analog channels) in NR1 format

The CHANnel<n> subsystem commands control an analog channel (vertical or Y-axis of the oscilloscope). Channels are independently programmable for all offset, probe, coupling, bandwidth limit, inversion, vernier, and range (scale) functions. The channel number (1, 2, 3, or 4) specified in the command selects the analog channel that is affected by the command.

A label command provides identifying annotations of up to 10 characters.

You can toggle the channel displays on and off with the :CHANnel<n>:DISPlay command as well as with the root level commands :VIEW and :BLANK.

#### NOTE

The obsolete CHANnel subsystem is supported.

#### Reporting the Setup

Use :CHANnel1?, :CHANnel2?, :CHANnel3? or :CHANnel4? to query setup information for the CHANnel<n> subsystem.

#### Return Format

The following are sample responses from the :CHANnel<n>? query. In this case, the query was issued following a \*RST command.

```
:CHAN1:RANG +40.0E+00;OFFS +0.00000E+00;COUP DC;IMP ONEM;DISP 1;BWL 0;
INV 0;LAB "1";UNIT VOLT;PROB +10E+00;PROB:SKEW +0.00E+00;STYP SING
```

## :CHANnel&lt;n&gt;:BANDwidth

**N** (see [page 1172](#))

**Command Syntax** :CHANnel<n>:BANDwidth <limit>

<limit> ::= 25E6 in NR3 format

<n> ::= 1 to (# analog channels) in NR1 format

The :CHANnel<n>:BANDwidth command sets the bandwidth limit value and turns on bandwidth limiting (see the :CHANnel<n>:BWLimit command).

For waveforms with frequencies below the bandwidth limit, turning the bandwidth limit on removes unwanted high frequency noise from the waveform.

Bandwidth limit also limits the trigger signal path of the channel.

While you can request any limit; the oscilloscope will choose the only bandwidth limit available, 25 MHz.

**Query Syntax** :CHANnel<n>:BANDwidth? [MAXimum]

The :CHANnel<n>:BANDwidth? query returns the current setting of the low-pass filter.

If the bandwidth limit is off, the query returns the full bandwidth of the oscilloscope.

When the MAXimum parameter is used, the oscilloscope's maximum possible bandwidth is returned.

**Return Format** <limit><NL>

<limit> ::= 25E6 or full bandwidth in NR3 format

**See Also** • [":CHANnel<n>:BWLimit"](#) on page 277

## :CHANnel&lt;n&gt;:BWLimit

**C** (see [page 1172](#))

**Command Syntax** :CHANnel<n>:BWLimit <bwlimit>

<bwlimit> ::= {{1 | ON} | {0 | OFF}}

<n> ::= 1 to (# analog channels) in NR1 format

The :CHANnel<n>:BWLimit command controls an internal low-pass filter. When the filter is on, the bandwidth of the specified channel is limited to approximately 25 MHz.

**Query Syntax** :CHANnel<n>:BWLimit?

The :CHANnel<n>:BWLimit? query returns the current setting of the low-pass filter.

**Return Format** <bwlimit><NL>

<bwlimit> ::= {1 | 0}

**See Also** • ["Introduction to :CHANnel<n> Commands"](#) on page 275

## :CHANnel&lt;n&gt;:COUpling

**C** (see [page 1172](#))

**Command Syntax** :CHANnel<n>:COUpling <coupling>

<coupling> ::= {AC | DC}

<n> ::= 1 to (# analog channels) in NR1 format

The :CHANnel<n>:COUpling command selects the input coupling for the specified channel. The coupling for each analog channel can be set to AC or DC.

**Query Syntax** :CHANnel<n>:COUpling?

The :CHANnel<n>:COUpling? query returns the current coupling for the specified channel.

**Return Format** <coupling value><NL>

<coupling value> ::= {AC | DC}

**See Also** • ["Introduction to :CHANnel<n> Commands"](#) on page 275

## :CHANnel&lt;n&gt;:DISPlay

**C** (see [page 1172](#))

**Command Syntax** :CHANnel<n>:DISPlay <display value>

<display value> ::= {{1 | ON} | {0 | OFF}}

<n> ::= 1 to (# analog channels) in NR1 format

The :CHANnel<n>:DISPlay command turns the display of the specified channel on or off.

**Query Syntax** :CHANnel<n>:DISPlay?

The :CHANnel<n>:DISPlay? query returns the current display setting for the specified channel.

**Return Format** <display value><NL>

<display value> ::= {1 | 0}

- See Also**
- ["Introduction to :CHANnel<n> Commands"](#) on page 275
  - [":VIEW"](#) on page 238
  - [":BLANK"](#) on page 210
  - [":STATus"](#) on page 235
  - [":POD<n>:DISPlay"](#) on page 549
  - [":DIGital<d>:DISPlay"](#) on page 305

**:CHANnel<n>:IMPedance**

**C** (see [page 1172](#))

**Command Syntax** :CHANnel<n>:IMPedance <impedance>

<impedance> ::= {ONEMeg | FIFTy}

<n> ::= 1 to (# analog channels) in NR1 format

The :CHANnel<n>:IMPedance command selects the input impedance setting for the specified analog channel. The legal values for this command are ONEMeg (1 M $\Omega$ ) and FIFTy (50 $\Omega$ ).

**Query Syntax** :CHANnel<n>:IMPedance?

The :CHANnel<n>:IMPedance? query returns the current input impedance setting for the specified channel.

**Return Format** <impedance value><NL>

<impedance value> ::= {ONEM | FIFT}

**See Also** • ["Introduction to :CHANnel<n> Commands"](#) on page 275



## :CHANnel&lt;n&gt;:INVert

**N** (see [page 1172](#))

**Command Syntax** :CHANnel<n>:INVert <invert value>

<invert value> ::= {{1 | ON} | {0 | OFF}}

<n> ::= 1 to (# analog channels) in NR1 format

The :CHANnel<n>:INVert command selects whether or not to invert the input signal for the specified channel. The inversion may be 1 (ON/inverted) or 0 (OFF/not inverted).

**Query Syntax** :CHANnel<n>:INVert?

The :CHANnel<n>:INVert? query returns the current state of the channel inversion.

**Return Format** <invert value><NL>

<invert value> ::= {0 | 1}

**See Also** • ["Introduction to :CHANnel<n> Commands"](#) on page 275

**:CHANnel<n>:LABel**

**N** (see [page 1172](#))

**Command Syntax** :CHANnel<n>:LABel <string>  
 <string> ::= quoted ASCII string  
 <n> ::= 1 to (# analog channels) in NR1 format

**NOTE**

Label strings are 10 characters or less, and may contain any commonly used ASCII characters. Labels with more than 10 characters are truncated to 10 characters. Lower case characters are converted to upper case.

The :CHANnel<n>:LABel command sets the analog channel label to the string that follows. Setting a label for a channel also adds the name to the label list in non-volatile memory (replacing the oldest label in the list).

**Query Syntax** :CHANnel<n>:LABel?

The :CHANnel<n>:LABel? query returns the label associated with a particular analog channel.

**Return Format** <string><NL>  
 <string> ::= quoted ASCII string

- See Also**
- ["Introduction to :CHANnel<n> Commands"](#) on page 275
  - [":DISPlay:LABel"](#) on page 321
  - [":DIGital<d>:LABel"](#) on page 306
  - [":DISPlay:LABList"](#) on page 322
  - [":BUS<n>:LABel"](#) on page 260

**Example Code**

```
' LABEL - This command allows you to write a name (10 characters
' maximum) next to the channel number. It is not necessary, but
' can be useful for organizing the display.
myScope.WriteString ":CHANnel1:LABel "CAL 1"" ' Label ch1 "CAL 1".
myScope.WriteString ":CHANnel2:LABel "CAL2"" ' Label ch1 "CAL2".
```

See complete example programs at: [Chapter 40](#), "Programming Examples," starting on page 1181

## :CHANnel&lt;n&gt;:OFFSet

**C** (see [page 1172](#))

**Command Syntax** :CHANnel<n>:OFFSet <offset> [<suffix>]  
 <offset> ::= Vertical offset value in NR3 format  
 <suffix> ::= {V | mV}  
 <n> ::= 1 to (# analog channels) in NR1 format

The :CHANnel<n>:OFFSet command sets the value that is represented at center screen for the selected channel. The range of legal values varies with the value set by the :CHANnel<n>:RANGe and :CHANnel<n>:SCALE commands. If you set the offset to a value outside of the legal range, the offset value is automatically set to the nearest legal value. Legal values are affected by the probe attenuation setting.

**Query Syntax** :CHANnel<n>:OFFSet?

The :CHANnel<n>:OFFSet? query returns the current offset value for the selected channel.

**Return Format** <offset><NL>  
 <offset> ::= Vertical offset value in NR3 format

- See Also**
- ["Introduction to :CHANnel<n> Commands"](#) on page 275
  - [":CHANnel<n>:RANGe"](#) on page 291
  - [":CHANnel<n>:SCALE"](#) on page 292
  - [":CHANnel<n>:PROBe"](#) on page 284

**:CHANnel<n>:PROBe**

**C** (see [page 1172](#))

**Command Syntax** :CHANnel<n>:PROBe <attenuation>

<attenuation> ::= probe attenuation ratio in NR3 format

<n> ::= 1 to (# analog channels) in NR1 format

The obsolete attenuation values X1, X10, X20, X100 are also supported.

The :CHANnel<n>:PROBe command specifies the probe attenuation factor for the selected channel. The probe attenuation factor may be 0.001 to 10000. This command does not change the actual input sensitivity of the oscilloscope. It changes the reference constants for scaling the display factors, for making automatic measurements, and for setting trigger levels.

If an AutoProbe probe is connected to the oscilloscope, the attenuation value cannot be changed from the sensed value. Attempting to set the oscilloscope to an attenuation value other than the sensed value produces an error.

**Query Syntax** :CHANnel<n>:PROBe?

The :CHANnel<n>:PROBe? query returns the current probe attenuation factor for the selected channel.

**Return Format** <attenuation><NL>

<attenuation> ::= probe attenuation ratio in NR3 format

- See Also**
- ["Introduction to :CHANnel<n> Commands"](#) on page 275
  - [":CHANnel<n>:RANGe"](#) on page 291
  - [":CHANnel<n>:SCALE"](#) on page 292
  - [":CHANnel<n>:OFFSet"](#) on page 283

**Example Code**

```
' CHANNEL_PROBE - Sets the probe attenuation factor for the selected
' channel. The probe attenuation factor may be set from 0.001 to 100
00.
myScope.WriteString ":CHANnel1:PROBe 10" ' Set Probe to 10:1.
```

See complete example programs at: [Chapter 40](#), "Programming Examples," starting on page 1181

## :CHANnel<n>:PROBe:CALibration

**N** (see [page 1172](#))

**Command Syntax** :CHANnel<n>:PROBe:CALibration

The :CHANnel<n>:PROBe:CALibration command begins the probe degauss operation. For the N7026A and N2893A probes only.

:CHANnel<n>:PROBe:HEAD[:TYPE]

**C** (see [page 1172](#))

#### Command Syntax

##### NOTE

This command is valid only for the 113xA Series probes.

```
:CHANnel<n>:PROBe:HEAD[:TYPE] <head_param>
<head_param> ::= {SEND0 | SEND6 | SEND12 | SEND20 | DIFF0 | DIFF6
                  | DIFF12 | DIFF20 | NONE}
<n> ::= {1 | 2 | 3 | 4}
```

The :CHANnel<n>:PROBe:HEAD[:TYPE] command sets an analog channel probe head type and dB value. You can choose from:

- SEND0 – Single-ended, 0dB.
- SEND6 – Single-ended, 6dB.
- SEND12 – Single-ended, 12dB.
- SEND20 – Single-ended, 20dB.
- DIFF0 – Differential, 0dB.
- DIFF6 – Differential, 6dB.
- DIFF12 – Differential, 12dB.
- DIFF20 – Differential, 20dB.

**Query Syntax** :CHANnel<n>:PROBe:HEAD[:TYPE]?

The :CHANnel<n>:PROBe:HEAD[:TYPE]? query returns the current probe head type setting for the selected channel.

**Return Format** <head\_param><NL>

```
<head_param> ::= {SEND0 | SEND6 | SEND12 | SEND20 | DIFF0 | DIFF6
                  | DIFF12 | DIFF20 | NONE}
```

- See Also**
- ["Introduction to :CHANnel<n> Commands"](#) on page 275
  - [":CHANnel<n>:PROBe"](#) on page 284
  - [":CHANnel<n>:PROBe:ID"](#) on page 287
  - [":CHANnel<n>:PROBe:SKEW"](#) on page 288
  - [":CHANnel<n>:PROBe:STYPe"](#) on page 289

## :CHANnel&lt;n&gt;:PROBe:ID

**C** (see [page 1172](#))

**Query Syntax** :CHANnel<n>:PROBe:ID?

<n> ::= 1 to (# analog channels) in NR1 format

The :CHANnel<n>:PROBe:ID? query returns the type of probe attached to the specified oscilloscope channel.

**Return Format** <probe id><NL>

<probe id> ::= unquoted ASCII string up to 11 characters

Some of the possible returned values are:

- 1131A
- 1132A
- 1134A
- 1147A
- 1153A
- 1154A
- 1156A
- 1157A
- 1158A
- 1159A
- AutoProbe
- E2621A
- E2622A
- E2695A
- E2697A
- HP1152A
- HP1153A
- NONE
- Probe
- Unknown
- Unsupported

**See Also** • ["Introduction to :CHANnel<n> Commands"](#) on page 275

## :CHANnel&lt;n&gt;:PROBe:SKEW

**C** (see [page 1172](#))

**Command Syntax** :CHANnel<n>:PROBe:SKEW <skew value>  
 <skew value> ::= skew time in NR3 format  
 <skew value> ::= -100 ns to +100 ns  
 <n> ::= 1 to (# analog channels) in NR1 format

The :CHANnel<n>:PROBe:SKEW command sets the channel-to-channel skew factor for the specified channel. Each analog channel can be adjusted + or -100 ns for a total of 200 ns difference between channels. You can use the oscilloscope's probe skew control to remove cable-delay errors between channels.

**Query Syntax** :CHANnel<n>:PROBe:SKEW?

The :CHANnel<n>:PROBe:SKEW? query returns the current probe skew setting for the selected channel.

**Return Format** <skew value><NL>  
 <skew value> ::= skew value in NR3 format

**See Also** • ["Introduction to :CHANnel<n> Commands"](#) on page 275



## :CHANnel&lt;n&gt;:PROBe:STYPe

**C** (see [page 1172](#))

## Command Syntax

**NOTE**

This command is valid only for the 113xA Series probes.

```
:CHANnel<n>:PROBe:STYPe <signal type>
<signal type> ::= {DIFFerential | SINGle}
<n> ::= 1 to (# analog channels) in NR1 format
```

The :CHANnel<n>:PROBe:STYPe command sets the channel probe signal type (STYPe) to differential or single-ended when using the 113xA Series probes and determines how offset is applied.

When single-ended is selected, the :CHANnel<n>:OFFset command changes the offset value of the probe amplifier. When differential is selected, the :CHANnel<n>:OFFset command changes the offset value of the channel amplifier.

**Query Syntax** :CHANnel<n>:PROBe:STYPe?

The :CHANnel<n>:PROBe:STYPe? query returns the current probe signal type setting for the selected channel.

**Return Format** <signal type><NL>

```
<signal type> ::= {DIFF | SING}
```

- See Also**
- ["Introduction to :CHANnel<n> Commands"](#) on page 275
  - [":CHANnel<n>:OFFSet"](#) on page 283

## :CHANnel&lt;n&gt;:PROTection

**N** (see [page 1172](#))

**Command Syntax** :CHANnel<n>:PROTection[:CLEar]

<n> ::= 1 to (# analog channels) in NR1 format | 4}

When the analog channel input impedance is set to 50Ω, the input channels are protected against overvoltage. When an overvoltage condition is sensed, the input impedance for the channel is automatically changed to 1 MΩ.

The :CHANnel<n>:PROTection[:CLEar] command is used to clear (reset) the overload protection. It allows the channel to be used again in 50Ω mode after the signal that caused the overload has been removed from the channel input.

Reset the analog channel input impedance to 50Ω (see [":CHANnel<n>:IMPedance"](#) on page 280) after clearing the overvoltage protection.

**Query Syntax** :CHANnel<n>:PROTection?

The :CHANnel<n>:PROTection query returns the state of the input protection for CHANnel<n>. If a channel input has experienced an overload, TRIP (tripped) will be returned; otherwise NORM (normal) is returned.

**Return Format** {NORM | TRIP}<NL>

- See Also**
- ["Introduction to :CHANnel<n> Commands"](#) on page 275
  - [":CHANnel<n>:COUPling"](#) on page 278
  - [":CHANnel<n>:IMPedance"](#) on page 280
  - [":CHANnel<n>:PROBe"](#) on page 284

## :CHANnel&lt;n&gt;:RANGe

**C** (see [page 1172](#))

**Command Syntax** :CHANnel<n>:RANGe <range>[<suffix>]

<range> ::= vertical full-scale range value in NR3 format

<suffix> ::= {V | mV}

<n> ::= 1 to (# analog channels) in NR1 format

The :CHANnel<n>:RANGe command defines the full-scale vertical axis of the selected channel. When using 1:1 probe attenuation, legal values for the range are from 8 mV to 40 V.

If the probe attenuation is changed, the range value is multiplied by the probe attenuation factor.

**Query Syntax** :CHANnel<n>:RANGe?

The :CHANnel<n>:RANGe? query returns the current full-scale range setting for the specified channel.

**Return Format** <range\_argument><NL>

<range\_argument> ::= vertical full-scale range value in NR3 format

- See Also**
- ["Introduction to :CHANnel<n> Commands"](#) on page 275
  - [":CHANnel<n>:SCALE"](#) on page 292
  - [":CHANnel<n>:PROBE"](#) on page 284

**Example Code**

```
' CHANNEL_RANGE - Sets the full scale vertical range in volts. The
' range value is 8 times the volts per division.
myScope.WriteString ":CHANnel1:RANGe 8" ' Set the vertical range to
8 volts.
```

See complete example programs at: [Chapter 40](#), "Programming Examples," starting on page 1181

## :CHANnel&lt;n&gt;:SCALE

**N** (see [page 1172](#))

**Command Syntax** :CHANnel<n>:SCALE <scale>[<suffix>]

<scale> ::= vertical units per division in NR3 format

<suffix> ::= {V | mV}

<n> ::= 1 to (# analog channels) in NR1 format

The :CHANnel<n>:SCALE command sets the vertical scale, or units per division, of the selected channel.

If the probe attenuation is changed, the scale value is multiplied by the probe's attenuation factor.

**Query Syntax** :CHANnel<n>:SCALE?

The :CHANnel<n>:SCALE? query returns the current scale setting for the specified channel.

**Return Format** <scale value><NL>

<scale value> ::= vertical units per division in NR3 format

- See Also**
- ["Introduction to :CHANnel<n> Commands"](#) on page 275
  - [":CHANnel<n>:RANGE"](#) on page 291
  - [":CHANnel<n>:PROBE"](#) on page 284

## :CHANnel&lt;n&gt;:UNITs

**N** (see [page 1172](#))

**Command Syntax** :CHANnel<n>:UNITs <units>

<units> ::= {VOLT | AMPere}

<n> ::= 1 to (# analog channels) in NR1 format

The :CHANnel<n>:UNITs command sets the measurement units for the connected probe. Select VOLT for a voltage probe and select AMPere for a current probe. Measurement results, channel sensitivity, and trigger level will reflect the measurement units you select.

**Query Syntax** :CHANnel<n>:UNITs?

The :CHANnel<n>:UNITs? query returns the current units setting for the specified channel.

**Return Format** <units><NL>

<units> ::= {VOLT | AMP}

- See Also**
- ["Introduction to :CHANnel<n> Commands"](#) on page 275
  - [":CHANnel<n>:RANGe"](#) on page 291
  - [":CHANnel<n>:PROBe"](#) on page 284
  - [":EXternal:UNITs"](#) on page 339

## :CHANnel&lt;n&gt;:VERNier

**N** (see [page 1172](#))

**Command Syntax** :CHANnel<n>:VERNier <vernier value>

<vernier value> ::= {{1 | ON} | {0 | OFF}}

<n> ::= 1 to (# analog channels) in NR1 format

The :CHANnel<n>:VERNier command specifies whether the channel's vernier (fine vertical adjustment) setting is ON (1) or OFF (0).

**Query Syntax** :CHANnel<n>:VERNier?

The :CHANnel<n>:VERNier? query returns the current state of the channel's vernier setting.

**Return Format** <vernier value><NL>

<vernier value> ::= {0 | 1}

**See Also** • ["Introduction to :CHANnel<n> Commands"](#) on page 275

# 11 :DEMO Commands

When the education kit is licensed (Option EDU), you can output demonstration signals on the oscilloscope's Demo 1 and Demo 2 terminals. See "[Introduction to :DEMO Commands](#)" on page 295.

**Table 84** :DEMO Commands Summary

Command	Query	Options and Query Returns
:DEMO:FUNCTION <signal> (see <a href="#">page 296</a> )	:DEMO:FUNCTION? (see <a href="#">page 299</a> )	<signal> ::= {SINusoid   NOISy   PHASe   LFSine   AM   RFBurst   FMBurst   HARMonics   COUPLing   RINGing   SINGle   CLK   RUNT   TRANSition   SHOLd   MSO   BURSt   GLITCh   ETE   I2C   UART   SPI   I2S   CAN   LIN   CANLin   FLEXray   ARINc   MIL   MIL2}
:DEMO:FUNCTION:PHASE: PHASE <angle> (see <a href="#">page 300</a> )	:DEMO:FUNCTION:PHASE: PHASE? (see <a href="#">page 300</a> )	<angle> ::= angle in degrees from 0 to 360 in NR3 format
:DEMO:OUTPut {{0   OFF}   {1   ON}} (see <a href="#">page 301</a> )	:DEMO:OUTPut? (see <a href="#">page 301</a> )	{0   1}

**Introduction to :DEMO Commands** The :DEMO subsystem provides commands to output demonstration signals on the oscilloscope's Demo 1 and Demo 2 terminals.

## Reporting the Setup

Use :DEMO? to query setup information for the DEMO subsystem.

## Return Format

The following is a sample response from the :DEMO? query. In this case, the query was issued following the \*RST command.

```
:DEMO:FUNC SIN;OUTP 0
```

## :DEMO:FUNCTION

**N** (see [page 1172](#))

**Command Syntax** :DEMO:FUNCTION <signal>

```
<signal> ::= {SINusoid | NOISy | PHASe | LFSine | AM | RFBurst
             | FMBurst | HARMonics | COUPling | RINGing | SINGLE | CLK | RUNT
             | TRANSition | SHOLd | MSO | BURSt | GLITCh | ETE | I2C | UART
             | SPI | I2S | CAN | LIN | CANLin | FLEXray | ARINc | MIL | MIL2}
```

The :DEMO:FUNCTION command selects the type of demo signal:

Demo Signal Function	Demo 1 Terminal	Demo 2 Terminal
SINusoid	5 MHz sine wave @ ~ 6 Vpp, 0 V offset	Off
NOISy	1 kHz sine wave @ ~ 2.4 Vpp, 0.0 V offset, with ~ 0.5 Vpp of random noise added	Off
PHASe	1 kHz sine wave @ 2.4 Vpp, 0.0 V offset	1 kHz sine wave @ 2.4 Vpp, 0.0 V offset , phase shifted by the amount entered using the <b>":DEMO:FUNCTION:PHASe:PHASe"</b> on page 300 command
LFSine	30 Hz sine wave @ ~2.7 Vpp, 0 V offset, with very narrow glitch near each positive peak	Off
AM	26 kHz sine wave, ~ 7 Vpp, 0 V offset	Amplitude modulated signal, ~ 3 Vpp, 0 V offset, with ~13 MHz carrier and sine envelope
RFBurst	5-cycle burst of a 10 MHz amplitude modulated sine wave @ ~ 2.6 Vpp, 0 V offset occurring once every 4 ms	Off
FMBurst	FM burst, modulated from ~100 kHz to ~1 MHz, ~5.0 Vpp, ~600 mV offset.	Off
HARMonics	1 kHz sine wave @ ~3.5 Vpp, 0.0 V offset, with a ~2 kHz sine wave coupled in	Off
COUPling	1 kHz square wave @ ~1 Vpp, 0.0 V offset, with a ~90 kHz sine wave with ~180 mVpp riding on top	Off
RINGing	500 kHz digital pulse @ ~ 3 Vpp, 1.5 V offset, and ~500 ns pulse width with ringing	Off



Demo Signal Function	Demo 1 Terminal	Demo 2 Terminal
SINGle	~500 ns wide digital pulse with ringing @ ~ 3 Vpp, 1.5 V offset Press the front panel <b>Set Off Single-Shot</b> softkey to cause the selected single-shot signal to be output.	Off
CLK	3.6 MHz clock @ ~2 Vpp, 1 V offset, with infrequent glitch (1 glitch per 1,000,000 clocks)	Off
RUNT	Digital pulse train with positive and negative runt pulses @ ~ 3.5 Vpp, 1.75 V offset	Off
TRANSition	Digital pulse train with two different edge speeds @ ~ 3.5 Vpp, 1.75 V offset	Off
SHOLd	6.25 MHz digital clock @ ~ 3.5 Vpp, 1.75 V offset	Data signal @ ~3.5 Vpp, 1.75 V offset
MSO	3.1 kHz stair-step sine wave output of DAC @ ~1.5 Vpp, 0.75 V offset DAC input signals are internally routed to digital channels D0 through D7	~3.1 kHz sine wave filtered from DAC output @ ~ 600 mVpp, 300 mV offset
BURSt	Burst of digital pulses that occur every 50 $\mu$ s @ ~ 3.6 Vpp, ~1.5 V offset	Off
GLITCh	Burst of 6 digital pulses (plus infrequent glitch) that occurs once every 80 $\mu$ s @ ~3.6 Vpp, ~1.8 V offset	Off
ETE	100 kHz pulse, 400 ns wide @ ~3.3 Vpp, 1.65 V offset	600 ns analog burst (@ ~3.3 Vpp, 0.7 V offset) followed by 3.6 $\mu$ s digital burst @ ~3.3 Vpp, 1.65 V offset) at a 100 kHz repetitive rate
I2C	I2C serial clock signal (SCL) @ ~2.8 Vpp, 1.4 V offset	I2C serial data signal (SDA) @ ~ 2.8 Vpp, 1.4 V offset
UART	Receive data (RX) with odd parity, 19.2 kbps, 8-bit words, LSB out 1st, low idle @ ~2.8 Vpp, 1.4 V offset	Transmit data (TX) with odd parity, 19.2 kbps, 8-bit words, LSB out 1st, low idle @ ~ 2.8 Vpp, 1.4 V offset

Demo Signal Function	Demo 1 Terminal	Demo 2 Terminal
SPI	Off Signals are internally routed to digital channels D6 through D9: <ul style="list-style-type: none"> <li>▪ D9 – MOSI, TTL level, with MSB out 1st (internally routed to digital input).</li> <li>▪ D8 – MISO, TTL level, with MSB out 1st (internally routed to digital input).</li> <li>▪ D7 – CLK, TTL level (internally routed to digital input).</li> <li>▪ D6 – ~CS, low-enable, TTL level (internally routed to digital input).</li> </ul>	Off
I2S	Off Signals are internally routed to digital channels D7 through D9: <ul style="list-style-type: none"> <li>▪ D9 – SDATA, TTL level, with "standard" alignment (internally routed to digital input).</li> <li>▪ D8 – SCLK, TTL level, (internally routed to digital input).</li> <li>▪ D7 – WS, TTL level, low for left channel, high for right channel (internally routed to digital input)</li> </ul>	Off
CAN	CAN_L, 125 kbps dominant-low, ~2.8 Vpp, ~1.4 V offset	Off
LIN	LIN, 19.2 kbs, ~2.8 Vpp, ~1.4 V offset	Off
CANLin	CAN_L, 250 kbps dominant-low, ~2.8 Vpp, ~1.4 V offset	LIN, 19.2 kbps, ~2.8 Vpp, ~1.4 V offset
FLEXray	FlexRay @ 10 Mbps, ~2.8 Vpp, ~0 V offset	Off
ARINC	ARINC 429, 100 kbps, ~5 Vpp, ~0 V offset.	Off
MIL	MIL-STD-1553 RT to RT transfer, received ~1.3 Vpp, transmitted ~4.8 Vpp, 0 V offset	Off
MIL2	MIL-STD-1553 RT to RT transfer, received ~1.3 Vpp, transmitted ~4.8 Vpp, 0 V offset	MIL-STD-1553 RT to BC transfer, received ~1.3 Vpp, transmitted ~4.8 Vpp, 0 V offset

**Query Syntax** :DEMO:FUNCTION?

The :DEMO:FUNCTION? query returns the currently selected demo signal type.

**Return Format** <signal><NL>

```
<signal> ::= {SIN | NOIS | PHAS | LFS | AM | RFB | FMB | HARM | COUP  
| RING | SINGl | CLK | RUNT | TRAN | SHOL | MSO | BURS | GLIT | ETE  
| I2C | UART | SPI | I2S | CAN | LIN | CANL | FLEX | ARINC | MIL  
| MIL2}
```

**See Also** • ["Introduction to :DEMO Commands"](#) on page 295

## :DEMO:FUNCTION:PHASe:PHASe

**N** (see [page 1172](#))

**Command Syntax** :DEMO:FUNCTION:PHASe:PHASe <angle>

<angle> ::= angle in degrees from 0 to 360 in NR3 format

For the phase shifted sine demo signals, the :DEMO:FUNCTION:PHASe:PHASe command specifies the phase shift in the second sine waveform.

**Query Syntax** :DEMO:FUNCTION:PHASe:PHASe?

The :DEMO:FUNCTION:PHASe:PHASe? query returns the currently set phase shift.

**Return Format** <angle><NL>

<angle> ::= angle in degrees from 0 to 360 in NR3 format

- See Also**
- ["Introduction to :DEMO Commands"](#) on page 295
  - [":DEMO:FUNCTION"](#) on page 296

## :DEMO:OUTPut

**N** (see [page 1172](#))

**Command Syntax** :DEMO:OUTPut <on\_off>

<on\_off> ::= {{1 | ON} | {0 | OFF}}

The :DEMO:OUTPut command specifies whether the demo signal output is ON (1) or OFF (0).

**Query Syntax** :DEMO:OUTPut?

The :DEMO:OUTPut? query returns the current state of the demo signal output setting.

**Return Format** <on\_off><NL>

<on\_off> ::= {1 | 0}

- See Also**
- ["Introduction to :DEMO Commands"](#) on page 295
  - [":DEMO:FUNCTION"](#) on page 296



## 12 :DIGital<d> Commands

Control all oscilloscope functions associated with individual digital channels. See "[Introduction to :DIGital<d> Commands](#)" on page 304.

**Table 85** :DIGital<d> Commands Summary

Command	Query	Options and Query Returns
:DIGital<d>:DISPlay { {0   OFF}   {1   ON} } (see <a href="#">page 305</a> )	:DIGital<d>:DISPlay? (see <a href="#">page 305</a> )	<d> ::= 0 to (# digital channels - 1) in NR1 format {0   1}
:DIGital<d>:LABel <string> (see <a href="#">page 306</a> )	:DIGital<d>:LABel? (see <a href="#">page 306</a> )	<d> ::= 0 to (# digital channels - 1) in NR1 format <string> ::= any series of 10 or less ASCII characters enclosed in quotation marks
:DIGital<d>:POSition <position> (see <a href="#">page 307</a> )	:DIGital<d>:POSition? (see <a href="#">page 307</a> )	<d> ::= 0 to (# digital channels - 1) in NR1 format <position> ::= 0-7 if display size = large, 0-15 if size = medium, 0-31 if size = small Returns -1 when there is no space to display the digital waveform.
:DIGital<d>:SIZE <value> (see <a href="#">page 308</a> )	:DIGital<d>:SIZE? (see <a href="#">page 308</a> )	<d> ::= 0 to (# digital channels - 1) in NR1 format <value> ::= {SMALl   MEDium   LARGe}
:DIGital<d>:THReshold <value>[suffix] (see <a href="#">page 309</a> )	:DIGital<d>:THReshold? (see <a href="#">page 309</a> )	<d> ::= 0 to (# digital channels - 1) in NR1 format <value> ::= {CMOS   ECL   TTL   <user defined value>} <user defined value> ::= value in NR3 format from -8.00 to +8.00 [suffix] ::= {V   mV   uV}

**Introduction to  
:DIGital<d>  
Commands**

<d> ::= 0 to (# digital channels - 1) in NR1 format

The DIGital subsystem commands control the viewing, labeling, and positioning of digital channels. They also control threshold settings for groups of digital channels, or *Pods*.

**NOTE**

These commands are only valid for the MSO models.

---

**Reporting the Setup**

Use :DIGital<d>? to query setup information for the DIGital subsystem.

**Return Format**

The following is a sample response from the :DIGital0? query. In this case, the query was issued following a \*RST command.

```
:DIG0:DISP 0;THR +1.40E+00;LAB 'D0';POS +0
```



## :DIGital&lt;d&gt;:DISPlay

**N** (see [page 1172](#))

**Command Syntax** :DIGital<d>:DISPlay <display>

<d> ::= 0 to (# digital channels - 1) in NR1 format

<display> ::= {{1 | ON} | {0 | OFF}}

The :DIGital<d>:DISPlay command turns digital display on or off for the specified channel.

**NOTE**

This command is only valid for the MSO models.

**Query Syntax** :DIGital<d>:DISPlay?

The :DIGital<d>:DISPlay? query returns the current digital display setting for the specified channel.

**Return Format** <display><NL>

<display> ::= {0 | 1}

- See Also**
- ["Introduction to :DIGital<d> Commands"](#) on page 304
  - [":POD<n>:DISPlay"](#) on page 549
  - [":CHANnel<n>:DISPlay"](#) on page 279
  - [":VIEW"](#) on page 238
  - [":BLANK"](#) on page 210
  - [":STATus"](#) on page 235

## :DIGital&lt;d&gt;:LABel

**N** (see [page 1172](#))

**Command Syntax** :DIGital<d>:LABel <string>  
 <d> ::= 0 to (# digital channels - 1) in NR1 format  
 <string> ::= any series of 10 or less characters as quoted ASCII string.  
 The :DIGital<d>:LABel command sets the channel label to the string that follows. Setting a label for a channel also adds the name to the label list in non-volatile memory (replacing the oldest label in the list).

**NOTE**

This command is only valid for the MSO models.

**NOTE**

Label strings are 10 characters or less, and may contain any commonly used ASCII characters. Labels with more than 10 characters are truncated to 10 characters.

**Query Syntax** :DIGital<d>:LABel?  
 The :DIGital<d>:LABel? query returns the name of the specified channel.

**Return Format** <label string><NL>  
 <label string> ::= any series of 10 or less characters as a quoted ASCII string.

- See Also**
- ["Introduction to :DIGital<d> Commands"](#) on page 304
  - [":CHANnel<n>:LABel"](#) on page 282
  - [":DISPlay:LABList"](#) on page 322
  - [":BUS<n>:LABel"](#) on page 260

## :DIGital&lt;d&gt;:POSition

**N** (see [page 1172](#))

**Command Syntax** :DIGital<d>:POSition <position>  
 <d> ::= 0 to (# digital channels - 1) in NR1 format  
 <position> ::= integer in NR1 format.

Channel Size	Position	Top	Bottom
Large	0-7	7	0
Medium	0-15	15	0
Small	0-31	31	0

The :DIGital<d>:POSition command sets the position of the specified channel. Note that bottom positions might not be valid depending on whether digital buses, serial decode waveforms, or the zoomed time base are displayed.

**NOTE**

This command is only valid for the MSO models.

**Query Syntax** :DIGital<d>:POSition?

The :DIGital<d>:POSition? query returns the position of the specified channel.

If the returned value is "-1", this indicates there is no space to display the digital waveform (for example, when all serial lanes, digital buses, and the zoomed time base are displayed).

**Return Format** <position><NL>  
 <position> ::= integer in NR1 format.

**See Also** • ["Introduction to :DIGital<d> Commands"](#) on page 304

## :DIGital&lt;d&gt;:SIZE

**N** (see [page 1172](#))

**Command Syntax** :DIGital<d>:SIZE <value>

<d> ::= 0 to (# digital channels - 1) in NR1 format

<value> ::= {SMALl | MEDium | LARGe}

The :DIGital<d>:SIZE command specifies the size of digital channels on the display. Sizes are set for all digital channels. Therefore, if you set the size on digital channel 0 (for example), the same size is set on all other as well.

**NOTE**

This command is only valid for the MSO models.

**Query Syntax** :DIGital<d>:SIZE?

The :DIGital<d>:SIZE? query returns the size setting for the specified digital channels.

**Return Format** <size\_value><NL>

<size\_value> ::= {SMAL | MED | LARG}

- See Also**
- ["Introduction to :DIGital<d> Commands"](#) on page 304
  - [":POD<n>:SIZE"](#) on page 550
  - [":DIGital<d>:POSition"](#) on page 307

## :DIGital&lt;d&gt;:THReshold

**N** (see [page 1172](#))

**Command Syntax** :DIGital<d>:THReshold <value>

<d> ::= 0 to (# digital channels - 1) in NR1 format

<value> ::= {CMOS | ECL | TTL | <user defined value>[<suffix>]}

<user defined value> ::= -8.00 to +8.00 in NR3 format

<suffix> ::= {V | mV | uV}

- TTL = 1.4V
- CMOS = 2.5V
- ECL = -1.3V

The :DIGital<d>:THReshold command sets the logic threshold value for all channels in the same *pod* as the specified channel. The threshold is used for triggering purposes and for displaying the digital data as high (above the threshold) or low (below the threshold).

**NOTE**

This command is only valid for the MSO models.

**Query Syntax** :DIGital<d>:THReshold?

The :DIGital<d>:THReshold? query returns the threshold value for the specified channel.

**Return Format** <value><NL>

<value> ::= threshold value in NR3 format

- See Also**
- ["Introduction to :DIGital<d> Commands"](#) on page 304
  - [":POD<n>:THReshold"](#) on page 551
  - [":TRIGger\[:EDGE\]:LEVel"](#) on page 937



# 13 :DISPlay Commands

Control how waveforms, graticule, and text are displayed and written on the screen. See "[Introduction to :DISPlay Commands](#)" on page 312.

**Table 86** :DISPlay Commands Summary

Command	Query	Options and Query Returns
:DISPlay:ANNotation {0   OFF}   {1   ON} (see <a href="#">page 313</a> )	:DISPlay:ANNotation? (see <a href="#">page 313</a> )	{0   1}
:DISPlay:ANNotation:BACKground <mode> (see <a href="#">page 314</a> )	:DISPlay:ANNotation:BACKground? (see <a href="#">page 314</a> )	<mode> ::= {OPAQue   INVerted   TRANSPARENT}
:DISPlay:ANNotation:COLor <color> (see <a href="#">page 315</a> )	:DISPlay:ANNotation:COLor? (see <a href="#">page 315</a> )	<color> ::= {CH1   CH2   CH3   CH4   DIG   MATH   REF   MARKer   WHITE   RED}
:DISPlay:ANNotation:TEXT <string> (see <a href="#">page 316</a> )	:DISPlay:ANNotation:TEXT? (see <a href="#">page 316</a> )	<string> ::= quoted ASCII string (up to 254 characters)
:DISPlay:CLEar (see <a href="#">page 317</a> )	n/a	n/a
n/a	:DISPlay:DATA? [<format>][,][<palette>] (see <a href="#">page 318</a> )	<format> ::= {BMP   BMP8bit   PNG} <palette> ::= {COLor   GRAYscale} <display data> ::= data in IEEE 488.2 # format
:DISPlay:INTensity:WAVEform <value> (see <a href="#">page 320</a> )	:DISPlay:INTensity:WAVEform? (see <a href="#">page 320</a> )	<value> ::= an integer from 0 to 100 in NR1 format.
:DISPlay:LABEL {{0   OFF}   {1   ON}} (see <a href="#">page 321</a> )	:DISPlay:LABEL? (see <a href="#">page 321</a> )	{0   1}

**Table 86** :DISPlay Commands Summary (continued)

Command	Query	Options and Query Returns
:DISPlay:LABList <binary block> (see page 322)	:DISPlay:LABList? (see page 322)	<binary block> ::= an ordered list of up to 75 labels, each 10 characters maximum, separated by newline characters
:DISPlay:PERsistence <value> (see page 323)	:DISPlay:PERsistence? (see page 323)	<value> ::= {MINimum   INFinite   <time>}  <time> ::= seconds in in NR3 format from 100E-3 to 60E0
:DISPlay:PERsistence:CLEar (see page 324)	n/a	n/a
:DISPlay:VECTors {1   ON} (see page 325)	:DISPlay:VECTors? (see page 325)	1

### Introduction to :DISPlay Commands

The DISPlay subsystem is used to control the display storage and retrieval of waveform data, labels, and text. This subsystem allows the following actions:

- Clear the waveform area on the display.
- Turn vectors on or off.
- Set waveform persistence.
- Specify labels.
- Save and Recall display data.

### Reporting the Setup

Use :DISPlay? to query the setup information for the DISPlay subsystem.

### Return Format

The following is a sample response from the :DISPlay? query. In this case, the query was issued following a \*RST command.

```
:DISP:LAB 0;VECT 1;PERS MIN
```



## :DISPlay:ANNotation

**N** (see [page 1172](#))

**Command Syntax** :DISPlay:ANNotation <setting>

<setting> ::= {{1 | ON} | {0 | OFF}}

The :DISPlay:ANNotation command turns the annotation on and off. When on, the annotation appears in the upper left corner of the oscilloscope's display.

The annotation is useful for documentation purposes, to add notes before capturing screens.

**Query Syntax** :DISPlay:ANNotation?

The :DISPlay:ANNotation? query returns the annotation setting.

**Return Format** <value><NL>

<value> ::= {0 | 1}

- See Also**
- [":DISPlay:ANNotation:TEXT"](#) on page 316
  - [":DISPlay:ANNotation:COLor"](#) on page 315
  - [":DISPlay:ANNotation:BACKground"](#) on page 314
  - ["Introduction to :DISPlay Commands"](#) on page 312

## :DISPlay:ANNotation:BACKground

**N** (see [page 1172](#))

**Command Syntax** :DISPlay:ANNotation:BACKground <mode>  
<mode> ::= {OPAQue | INVerted | TRANSPARENT}

The :DISPlay:ANNotation:BACKground command specifies the background of the annotation:

- OPAQue – the annotation has a solid background.
- INVerted – the annotation's foreground and background colors are switched.
- TRANSPARENT – the annotation has a transparent background.

**Query Syntax** :DISPlay:ANNotation:BACKground?

The :DISPlay:ANNotation:BACKground? query returns the specified annotation background mode.

**Return Format** <mode><NL>  
<mode> ::= {OPAQ | INV | TRAN}

- See Also**
- [":DISPlay:ANNotation"](#) on page 313
  - [":DISPlay:ANNotation:TEXT"](#) on page 316
  - [":DISPlay:ANNotation:COLor"](#) on page 315
  - ["Introduction to :DISPlay Commands"](#) on page 312

## :DISPlay:ANNotation:COLor

**N** (see [page 1172](#))

**Command Syntax** :DISPlay:ANNotation:COLor <color>

```
<color> ::= {CH1 | CH2 | CH3 | CH4 | DIG | MATH | REF | MARKer | WHITe
            | RED}
```

The :DISPlay:ANNotation:COLor command specifies the annotation color. You can choose white, red, or colors that match analog channels, digital channels, math waveforms, reference waveforms, or markers.

**Query Syntax** :DISPlay:ANNotation:COLor?

The :DISPlay:ANNotation:COLor? query returns the specified annotation color.

**Return Format** <color><NL>

```
<color> ::= {CH1 | CH2 | CH3 | CH4 | DIG | MATH | REF | MARK | WHIT
            | RED}
```

- See Also**
- [":DISPlay:ANNotation"](#) on page 313
  - [":DISPlay:ANNotation:TEXT"](#) on page 316
  - [":DISPlay:ANNotation:BACKground"](#) on page 314
  - ["Introduction to :DISPlay Commands"](#) on page 312

**:DISPlay:ANNotation:TEXT**

**N** (see [page 1172](#))

**Command Syntax**    `:DISPlay:ANNotation:TEXT <string>`  
                           `<string> ::= quoted ASCII string (up to 254 characters)`

The `:DISPlay:ANNotation:TEXT` command specifies the annotation string. The annotation string can contain as many characters as will fit in the Edit Annotation box on the oscilloscope's screen, up to 254 characters.

You can include a carriage return in the annotation string using the characters `"\n"`. Note that this is not a new line character but the actual `"\"` (backslash) and `"n"` characters in the string. Carriage returns lessen the number of characters available for the annotation string.

Use `:DISPlay:ANNotation:TEXT ""` to remotely clear the annotation text. (Two sets of quote marks without a space between them creates a NULL string.)

**Query Syntax**    `:DISPlay:ANNotation:TEXT?`

The `:DISPlay:ANNotation:TEXT?` query returns the specified annotation text.

When carriage returns are present in the annotation text, they are returned as the actual carriage return character (ASCII 0x0D).

**Return Format**    `<string><NL>`  
                           `<string> ::= quoted ASCII string`

- See Also**
- [":DISPlay:ANNotation"](#) on page 313
  - [":DISPlay:ANNotation:COLor"](#) on page 315
  - [":DISPlay:ANNotation:BACKground"](#) on page 314
  - ["Introduction to :DISPlay Commands"](#) on page 312

## :DISPlay:CLEar

**N** (see [page 1172](#))

**Command Syntax** :DISPlay:CLEar

The :DISPlay:CLEar command clears the display and resets all associated measurements. If the oscilloscope is stopped, all currently displayed data is erased. If the oscilloscope is running, all of the data for active channels and functions is erased; however, new data is displayed on the next acquisition.

**See Also** • ["Introduction to :DISPlay Commands"](#) on page 312

## :DISPlay:DATA

**N** (see [page 1172](#))

**Query Syntax** :DISPlay:DATA? [<format>][,]<palette>]

<format> ::= {BMP | BMP8bit | PNG}

<palette> ::= {COLor | GRAYscale}

The :DISPlay:DATA? query reads screen image data. You can choose 24-bit BMP, 8-bit BMP8bit, or 24-bit PNG formats in color or grayscale.

Note that the returned image is also affected by the :HARDcopy:INKSaver command, which is ON by default and returns an inverted image. To get a non-inverted image, send the ":HARDcopy:INKSaver OFF" command before the DATA? query.

If no format or palette option is specified, the screen image is returned in whatever image format is selected by the front panel's **[Save/Recall] > Save > Format** softkey. If the **Format** softkey does not select an image format (in other words, it selects a setup or data format), the BMP, COLor format is used.

Screen image data is returned in the IEEE-488.2 # binary block data format.

**Return Format** <display data><NL>

<display data> ::= binary block data in IEEE-488.2 # format.

- See Also**
- ["Introduction to :DISPlay Commands"](#) on page 312
  - [":HARDcopy:INKSaver"](#) on page 381
  - [":PRINT"](#) on page 227
  - ["\\*RCL \(Recall\)"](#) on page 186
  - ["\\*SAV \(Save\)"](#) on page 190
  - [":VIEW"](#) on page 238

**Example Code**

```
' IMAGE_TRANSFER - In this example, we will query for the image data
' with ":DISPlay:DATA?", read the data, and then save it to a file.
Dim byteData() As Byte
myScope.IO.Timeout = 15000
myScope.WriteString ":DISPlay:DATA? BMP, COLOR"
byteData = myScope.ReadIEEEBlock(BinaryType_UI1)
' Output display data to a file:
strPath = "c:\scope\data\screen.bmp"
' Remove file if it exists.
If Len(Dir(strPath)) Then
    Kill strPath
End If
Close #1 ' If #1 is open, close it.
Open strPath For Binary Access Write Lock Write As #1 ' Open file for
or output.
Put #1, , byteData ' Write data.
```

```
Close #1      ' Close file.  
myScope.IO.Timeout = 5000
```

See complete example programs at: [Chapter 40](#), “Programming Examples,” starting on page 1181

## :DISPlay:INTensity:WAVeform

**N** (see [page 1172](#))

**Command Syntax** :DISPlay:INTensity:WAVeform <value>

<value> ::= an integer from 0 to 100 in NR1 format.

The :DISPlay:INTensity:WAVeform command sets the waveform intensity.

This is the same as adjusting the front panel **[Intensity]** knob.

**Query Syntax** :DISPlay:INTensity:WAVeform?

The :DISPlay:INTensity:WAVeform? query returns the waveform intensity setting.

**Return Format** <value><NL>

<value> ::= an integer from 0 to 100 in NR1 format.

**See Also** • ["Introduction to :DISPlay Commands"](#) on page 312



## :DISPlay:LABel

**N** (see [page 1172](#))

**Command Syntax** :DISPlay:LABel <value>

<value> ::= {{1 | ON} | {0 | OFF}}

The :DISPlay:LABel command turns the analog and digital channel labels on and off.

**Query Syntax** :DISPlay:LABel?

The :DISPlay:LABel? query returns the display mode of the analog and digital labels.

**Return Format** <value><NL>

<value> ::= {0 | 1}

- See Also**
- ["Introduction to :DISPlay Commands"](#) on page 312
  - [":CHANnel<n>:LABel"](#) on page 282

**Example Code**

```
' DISP_LABEL
' - Turns label names ON or OFF on the analyzer display.
myScope.WriteString ":DISPlay:LABel ON" ' Turn on labels.
```

See complete example programs at: [Chapter 40](#), "Programming Examples," starting on page 1181

**:DISPlay:LABList**

**N** (see [page 1172](#))

**Command Syntax** :DISPlay:LABList <binary block data>

<binary block> ::= an ordered list of up to 75 labels, a maximum of 10 characters each, separated by newline characters.

The :DISPlay:LABList command adds labels to the label list. Labels are added in alphabetical order.

**NOTE**

Labels that begin with the same alphabetic base string followed by decimal digits are considered duplicate labels. Duplicate labels are not added to the label list. For example, if label "A0" is in the list and you try to add a new label called "A123456789", the new label is not added.

**Query Syntax** :DISPlay:LABList?

The :DISPlay:LABList? query returns the label list.

**Return Format** <binary block><NL>

<binary block> ::= an ordered list of up to 75 labels, a maximum of 10 characters each, separated by newline characters.

- See Also**
- ["Introduction to :DISPlay Commands"](#) on page 312
  - [":DISPlay:LABel"](#) on page 321
  - [":CHANnel<n>:LABel"](#) on page 282
  - [":DIGital<d>:LABel"](#) on page 306
  - [":BUS<n>:LABel"](#) on page 260

## :DISPlay:PERSistence

**N** (see [page 1172](#))

**Command Syntax** :DISPlay:PERSistence <value>

<value> ::= {MINimum | INFinite | <time>}

<time> ::= seconds in in NR3 format from 100E-3 to 60E0

The :DISPlay:PERSistence command specifies the persistence setting:

- MINimum – indicates zero persistence.
- INFinite – indicates infinite persistence.
- <time> – for variable persistence, that is, you can specify how long acquisitions remain on the screen.

Use the :DISPlay:CLEar command to erase points stored by persistence.

**Query Syntax** :DISPlay:PERSistence?

The :DISPlay:PERSistence? query returns the specified persistence value.

**Return Format** <value><NL>

<value> ::= {MIN | INF | <time>}

- See Also**
- ["Introduction to :DISPlay Commands"](#) on page 312
  - [":DISPlay:CLEar"](#) on page 317

## :DISPlay:PERsistence:CLEar

**N** (see [page 1172](#))

**Command Syntax** :DISPlay:PERsistence:CLEar

The :DISPlay:PERsistence:CLEar command erases all persistence data from the display, leaving the data from the last acquisition.

If the oscilloscope is running, the display will begin to accumulate waveform and persistence data again.

The :DISPlay:CLEar command clears all waveform data from the display, including the data from the last acquisition.

- See Also**
- [":DISPlay:PERsistence"](#) on page 323
  - [":DISPlay:CLEar"](#) on page 317

## :DISPlay:VECTors

**N** (see [page 1172](#))

**Command Syntax** :DISPlay:VECTors <vectors>

<vectors> ::= {1 | ON}

The only legal value for the :DISPlay:VECTors command is ON (or 1). This specifies that lines are drawn between acquired data points on the screen.

**Query Syntax** :DISPlay:VECTors?

The :DISPlay:VECTors? query returns the vectors setting.

**Return Format** <vectors><NL>

<vectors> ::= 1

**See Also** • ["Introduction to :DISPlay Commands"](#) on page 312



## 14 :DVM Commands

When the optional DSOXDVM digital voltmeter analysis feature is licensed, these commands control the digital voltmeter (DVM) feature.

**Table 87** :DVM Commands Summary

Command	Query	Options and Query Returns
:DVM:ARANge {{0   OFF}   {1   ON}} (see <a href="#">page 328</a> )	:DVM:ARANge? (see <a href="#">page 328</a> )	{0   1}
n/a	:DVM:CURRent? (see <a href="#">page 329</a> )	<dvm_value> ::= floating-point number in NR3 format
:DVM:ENABle {{0   OFF}   {1   ON}} (see <a href="#">page 330</a> )	:DVM:ENABle? (see <a href="#">page 330</a> )	{0   1}
n/a	:DVM:FREQuency? (see <a href="#">page 329</a> )	<freq_value> ::= floating-point number in NR3 format
:DVM:MODE <mode> (see <a href="#">page 332</a> )	:DVM:MODE? (see <a href="#">page 332</a> )	<dvm_mode> ::= {ACRMs   DC   DCRMs   FREQuency}
:DVM:SOURce <source> (see <a href="#">page 333</a> )	:DVM:SOURce? (see <a href="#">page 333</a> )	<source> ::= {CHANnel<n>} <n> ::= 1-2 or 1-4 in NR1 format

**:DVM:ARANge**

**N** (see [page 1172](#))

**Command Syntax** :DVM:ARANge <setting>  
 <setting> ::= {{OFF | 0} | {ON | 1}}

If the selected digital voltmeter (DVM) source channel is not used in oscilloscope triggering, the :DVM:ARANge command turns the digital voltmeter's Auto Range capability on or off.

- When on, the DVM channel's vertical scale, vertical (ground level) position, and trigger (threshold voltage) level (used for the counter frequency measurement) are automatically adjusted.

The Auto Range capability overrides attempted adjustments of the channel's vertical scale and position.

- When off, you can adjust the channel's vertical scale and position normally.

**Query Syntax** :DVM:ARANge?

The :DVM:ARANge? query returns a flag indicating whether the digital voltmeter's Auto Range capability is on or off.

**Return Format** <setting><NL>  
 <setting> ::= {0 | 1}

- See Also**
- [":DVM:SOURce"](#) on page 333
  - [":DVM:ENABLE"](#) on page 330
  - [":DVM:MODE"](#) on page 332



## :DVM:CURRent

**N** (see [page 1172](#))

**Query Syntax** :DVM:CURRent?

The :DVM:CURRent? query returns the displayed 3-digit DVM value based on the current mode.

**NOTE**

It can take up to a few seconds after DVM analysis is enabled before this query starts to produce good results, that is, results other than +9.9E+37. To wait for good values after DVM analysis is enabled, programs should loop until a value less than +9.9E+37 is returned.

**Return Format** <dvm\_value><NL>

<dvm\_value> ::= floating-point number in NR3 format

- See Also**
- [":DVM:SOURce"](#) on page 333
  - [":DVM:ENABle"](#) on page 330
  - [":DVM:MODE"](#) on page 332
  - [":DVM:FREQuency"](#) on page 331

**:DVM:ENABLE**

**N** (see [page 1172](#))

**Command Syntax** :DVM:ENABle <setting>

<setting> ::= {{OFF | 0} | {ON | 1}}

The :DVM:ENABLE command turns the digital voltmeter (DVM) analysis feature on or off.

**Query Syntax** :DVM:ENABle?

The :DVM:ENABLE? query returns a flag indicating whether the digital voltmeter (DVM) analysis feature is on or off.

**Return Format** <setting><NL>

<setting> ::= {0 | 1}

- See Also**
- [":DVM:SOURce"](#) on page 333
  - [":DVM:MODE"](#) on page 332
  - [":DVM:ARANge"](#) on page 328

## :DVM:FREQuency

**N** (see [page 1172](#))

**Query Syntax** :DVM:FREQuency?

The :DVM:FREQuency? query returns the displayed 5-digit frequency value that is displayed below the main DVM value.

**Return Format** <freq\_value><NL>

<freq\_value> ::= floating-point number in NR3 format

- See Also**
- [":DVM:SOURce"](#) on page 333
  - [":DVM:ENABle"](#) on page 330
  - [":DVM:MODE"](#) on page 332
  - [":DVM:CURRent"](#) on page 329

**:DVM:MODE**

**N** (see [page 1172](#))

**Command Syntax** :DVM:MODE <dvm\_mode>

<dvm\_mode> ::= {ACRMs | DC | DCRMs | FREQuency}

The :DVM:MODE command sets the digital voltmeter (DVM) mode:

- ACRMs – displays the root-mean-square value of the acquired data, with the DC component removed.
- DC – displays the DC value of the acquired data.
- DCRMs – displays the root-mean-square value of the acquired data.
- FREQuency – displays the frequency counter measurement.

**Query Syntax** :DVM:MODE?

The :DVM:MODE? query returns the selected DVM mode.

**Return Format** <dvm\_mode><NL>

<dvm\_mode> ::= {ACRM | DC | DCRM | FREQ}

- See Also**
- [":DVM:ENABle"](#) on page 330
  - [":DVM:SOURce"](#) on page 333
  - [":DVM:ARANge"](#) on page 328
  - [":DVM:CURRent"](#) on page 329
  - [":DVM:FREQuency"](#) on page 331

## :DVM:SOURce

**N** (see [page 1172](#))

**Command Syntax** :DVM:SOURce <source>

<source> ::= {CHANnel<n>}

<n> ::= 1-2 or 1-4 in NR1 format

The :DVM:SOURce command sets the select the analog channel on which digital voltmeter (DVM) measurements are made.

The selected channel does not have to be on (displaying a waveform) in order for DVM measurements to be made.

**Query Syntax** :DVM:SOURce?

The :DVM:SOURce? query returns the selected DVM input source.

**Return Format** <source><NL>

<source> ::= {CHAN<n>}

<n> ::= 1-2 or 1-4 in NR1 format

- See Also**
- [":DVM:ENABLE"](#) on page 330
  - [":DVM:MODE"](#) on page 332
  - [":DVM:ARANge"](#) on page 328
  - [":DVM:CURREnt"](#) on page 329
  - [":DVM:FREQuency"](#) on page 331



# 15 :EXternal Trigger Commands

Control the input characteristics of the external trigger input. See "[Introduction to :EXternal Trigger Commands](#)" on page 335.

**Table 88** :EXternal Trigger Commands Summary

Command	Query	Options and Query Returns
:EXternal:BWLimit <bwlimit> (see <a href="#">page 336</a> )	:EXternal:BWLimit? (see <a href="#">page 336</a> )	<bwlimit> ::= {0   OFF}
:EXternal:PROBe <attenuation> (see <a href="#">page 337</a> )	:EXternal:PROBe? (see <a href="#">page 337</a> )	<attenuation> ::= probe attenuation ratio in NR3 format
:EXternal:RANGe <range> [<suffix>] (see <a href="#">page 338</a> )	:EXternal:RANGe? (see <a href="#">page 338</a> )	<range> ::= vertical full-scale range value in NR3 format <suffix> ::= {V   mV}
:EXternal:UNITs <units> (see <a href="#">page 339</a> )	:EXternal:UNITs? (see <a href="#">page 339</a> )	<units> ::= {VOLT   AMPere}

## Introduction to :EXternal Trigger Commands

The EXternal trigger subsystem commands control the input characteristics of the external trigger input. The probe factor, impedance, input range, input protection state, units, and bandwidth limit settings may all be queried. Depending on the instrument type, some settings may be changeable.

### Reporting the Setup

Use :EXternal? to query setup information for the EXternal subsystem.

### Return Format

The following is a sample response from the :EXternal query. In this case, the query was issued following a \*RST command.

```
:EXT: BWL 0; RANG +8E+00; UNIT VOLT; PROB +1.000E+00
```

**:EXternal:BWLimit**

**C** (see [page 1172](#))

**Command Syntax** :EXternal:BWLimit <bwlimit>

<bwlimit> ::= {0 | OFF}

The :EXternal:BWLimit command is provided for product compatibility. The only legal value is 0 or OFF. Use the :TRIGger:HFReject command to limit bandwidth on the external trigger input.

**Query Syntax** :EXternal:BWLimit?

The :EXternal:BWLimit? query returns the current setting of the low-pass filter (always 0).

**Return Format** <bwlimit><NL>

<bwlimit> ::= 0

- See Also**
- ["Introduction to :EXternal Trigger Commands"](#) on page 335
  - ["Introduction to :TRIGger Commands"](#) on page 911
  - [":TRIGger:HFReject"](#) on page 915



## :EXternal:PROBe

**C** (see [page 1172](#))

**Command Syntax** :EXternal:PROBe <attenuation>

<attenuation> ::= probe attenuation ratio in NR3 format

The :EXternal:PROBe command specifies the probe attenuation factor for the external trigger. The probe attenuation factor may be 0.001 to 10000. This command does not change the actual input sensitivity of the oscilloscope. It changes the reference constants for scaling the display factors and for setting trigger levels.

If an AutoProbe probe is connected to the oscilloscope, the attenuation value cannot be changed from the sensed value. Attempting to set the oscilloscope to an attenuation value other than the sensed value produces an error.

**Query Syntax** :EXternal:PROBe?

The :EXternal:PROBe? query returns the current probe attenuation factor for the external trigger.

**Return Format** <attenuation><NL>

<attenuation> ::= probe attenuation ratio in NR3 format

- See Also**
- ["Introduction to :EXternal Trigger Commands"](#) on page 335
  - [":EXternal:RANGe"](#) on page 338
  - ["Introduction to :TRIGger Commands"](#) on page 911
  - [":CHANnel<n>:PROBe"](#) on page 284

## :EXternal:RANGe

**C** (see [page 1172](#))

**Command Syntax** :EXternal:RANGe <range>[<suffix>]

<range> ::= vertical full-scale range value in NR3 format

<suffix> ::= {V | mV}

The :EXternal:RANGe command is provided for product compatibility. When using 1:1 probe attenuation, the range can only be set to 8.0 V.

If the probe attenuation is changed, the range value is multiplied by the probe attenuation factor.

**Query Syntax** :EXternal:RANGe?

The :EXternal:RANGe? query returns the current full-scale range setting for the external trigger.

**Return Format** <range\_argument><NL>

<range\_argument> ::= external trigger range value in NR3 format

- See Also**
- ["Introduction to :EXternal Trigger Commands"](#) on page 335
  - [":EXternal:PROBe"](#) on page 337
  - ["Introduction to :TRIGger Commands"](#) on page 911

## :EXternal:UNITs

**N** (see [page 1172](#))

**Command Syntax** :EXternal:UNITs <units>

<units> ::= {VOLT | AMPere}

The :EXternal:UNITs command sets the measurement units for the probe connected to the external trigger input. Select VOLT for a voltage probe and select AMPere for a current probe. Measurement results, channel sensitivity, and trigger level will reflect the measurement units you select.

**Query Syntax** :EXternal:UNITs?

The :CHANnel<n>:UNITs? query returns the current units setting for the external trigger.

**Return Format** <units><NL>

<units> ::= {VOLT | AMP}

- See Also**
- ["Introduction to :EXternal Trigger Commands"](#) on page 335
  - ["Introduction to :TRIGger Commands"](#) on page 911
  - [":EXternal:RANGe"](#) on page 338
  - [":EXternal:PROBe"](#) on page 337
  - [":CHANnel<n>:UNITs"](#) on page 293



# 16 :FUNction Commands

Control functions in the measurement/storage module. See "[Introduction to :FUNction Commands](#)" on page 344.

**Table 89** :FUNction Commands Summary

Command	Query	Options and Query Returns
:FUNction:BUS:CLOCK <source> (see <a href="#">page 346</a> )	:FUNction:BUS:CLOCK? (see <a href="#">page 346</a> )	<source> ::= {CHANnel<n>   DIGital<d>}  <n> ::= 1 to (# analog channels) in NR1 format  <d> ::= 0 to (# digital channels - 1) in NR1 format
:FUNction:BUS:SLOPe <slope> (see <a href="#">page 347</a> )	:FUNction:BUS:SLOPe? (see <a href="#">page 347</a> )	<slope> ::= {NEGative   POSitive   EITHer}
:FUNction:BUS:YINCrement <value> (see <a href="#">page 348</a> )	:FUNction:BUS:YINCrement? (see <a href="#">page 348</a> )	<value> ::= value per bus code, in NR3 format
:FUNction:BUS:YORigin <value> (see <a href="#">page 349</a> )	:FUNction:BUS:YORigin? (see <a href="#">page 349</a> )	<value> ::= value at bus code = 0, in NR3 format
:FUNction:BUS:YUNits <units> (see <a href="#">page 350</a> )	:FUNction:BUS:YUNits? (see <a href="#">page 350</a> )	<units> ::= {VOLT   AMPere   NONE}
:FUNction:DISPlay {{0   OFF}   {1   ON}} (see <a href="#">page 351</a> )	:FUNction:DISPlay? (see <a href="#">page 351</a> )	{0   1}
:FUNction[:FFT]:CENTer <frequency> (see <a href="#">page 352</a> )	:FUNction[:FFT]:CENTer? (see <a href="#">page 352</a> )	<frequency> ::= the current center frequency in NR3 format. The range of legal values is from 0 Hz to 25 GHz.
:FUNction[:FFT]:SPAN <span> (see <a href="#">page 353</a> )	:FUNction[:FFT]:SPAN? (see <a href="#">page 353</a> )	<span> ::= the current frequency span in NR3 format. Legal values are 1 Hz to 100 GHz.
:FUNction[:FFT]:VTYPe <units> (see <a href="#">page 354</a> )	:FUNction[:FFT]:VTYPe? (see <a href="#">page 354</a> )	<units> ::= {DECibel   VRMS}

**Table 89** :FUNCTION Commands Summary (continued)

Command	Query	Options and Query Returns
:FUNCTION[:FFT]:WINDOW <window> (see <a href="#">page 355</a> )	:FUNCTION[:FFT]:WINDOW? (see <a href="#">page 355</a> )	<window> ::= {RECTangular   HANNing   FLATtop   BHARRis}
:FUNCTION:FREQUENCY:HIGHPASS <3dB_freq> (see <a href="#">page 356</a> )	:FUNCTION:FREQUENCY:HIGHPASS? (see <a href="#">page 356</a> )	<3dB_freq> ::= 3dB cutoff frequency value in NR3 format
:FUNCTION:FREQUENCY:LOWPASS <3dB_freq> (see <a href="#">page 357</a> )	:FUNCTION:FREQUENCY:LOWPASS? (see <a href="#">page 357</a> )	<3dB_freq> ::= 3dB cutoff frequency value in NR3 format
:FUNCTION:GOF:OPERATION <operation> (see <a href="#">page 358</a> )	:FUNCTION:GOF:OPERATION? (see <a href="#">page 358</a> )	<operation> ::= {ADD   SUBtract   MULTiPLY}
:FUNCTION:GOF:SOURCE1 <source> (see <a href="#">page 359</a> )	:FUNCTION:GOF:SOURCE1? (see <a href="#">page 359</a> )	<source> ::= CHANNEL<n> <n> ::= {1   2   3   4} for 4ch models <n> ::= {1   2} for 2ch models
:FUNCTION:GOF:SOURCE2 <source> (see <a href="#">page 360</a> )	:FUNCTION:GOF:SOURCE2? (see <a href="#">page 360</a> )	<source> ::= CHANNEL<n> <n> ::= {1   2   3   4} for 4ch models <n> ::= {1   2} for 2ch models
:FUNCTION:INTEGRATE:OFFSET <input_offset> (see <a href="#">page 361</a> )	:FUNCTION:INTEGRATE:OFFSET? (see <a href="#">page 361</a> )	<input_offset> ::= DC offset correction in NR3 format.
:FUNCTION:LINEAR:GAIN <value> (see <a href="#">page 362</a> )	:FUNCTION:LINEAR:GAIN? (see <a href="#">page 362</a> )	<value> ::= 'A' in Ax + B, value in NR3 format
:FUNCTION:LINEAR:OFFSET <value> (see <a href="#">page 363</a> )	:FUNCTION:LINEAR:OFFSET? (see <a href="#">page 363</a> )	<value> ::= 'B' in Ax + B, value in NR3 format
:FUNCTION:OFFSET <offset> (see <a href="#">page 364</a> )	:FUNCTION:OFFSET? (see <a href="#">page 364</a> )	<offset> ::= the value at center screen in NR3 format.  The range of legal values is +/-10 times the current sensitivity of the selected function.

**Table 89** :FUNCTION Commands Summary (continued)

Command	Query	Options and Query Returns
:FUNCTION:OPERation <operation> (see <a href="#">page 365</a> )	:FUNCTION:OPERation? (see <a href="#">page 366</a> )	<operation> ::= {ADD   SUBtract   MULTiply   INTegrate   DIFF   FFT   SQRT   MAGNify   ABSolute   SQUARE   LN   LOG   EXP   TEN   LOWPass   HIGHpass   DIVide   LINear   TREND   BTIMing   BSTate}
:FUNCTION:RANGe <range> (see <a href="#">page 367</a> )	:FUNCTION:RANGe? (see <a href="#">page 367</a> )	<range> ::= the full-scale vertical axis value in NR3 format.  The range for ADD, SUBT, MULT is 8E-6 to 800E+3. The range for the INTegrate function is 8E-9 to 400E+3.  The range for the DIFF function is 80E-3 to 8.0E12 (depends on current sweep speed).  The range for the FFT function is 8 to 800 dBV.
:FUNCTION:REFerence <level> (see <a href="#">page 368</a> )	:FUNCTION:REFerence? (see <a href="#">page 368</a> )	<level> ::= the value at center screen in NR3 format.  The range of legal values is +/-10 times the current sensitivity of the selected function.
:FUNCTION:SCALE <scale value>[<suffix>] (see <a href="#">page 369</a> )	:FUNCTION:SCALE? (see <a href="#">page 369</a> )	<scale value> ::= integer in NR1 format <suffix> ::= {V   dB}
:FUNCTION:SOURce1 <source> (see <a href="#">page 370</a> )	:FUNCTION:SOURce1? (see <a href="#">page 370</a> )	<source> ::= {CHANnel<n>   GOFT   BUS<m>}  <n> ::= {1   2   3   4} for 4ch models  <n> ::= {1   2} for 2ch models  <m> ::= {1   2}  GOFT is only for FFT, INTegrate, DIFF, and SQRT operations.

**Table 89** :FUNCTION Commands Summary (continued)

Command	Query	Options and Query Returns
:FUNCTION:SOURce2 <source> (see <a href="#">page 372</a> )	:FUNCTION:SOURce2? (see <a href="#">page 372</a> )	<source> ::= {CHANnel<n>   NONE} <n> ::= {1   2   3   4} for 4ch models <n> ::= {1   2} for 2ch models
:FUNCTION:TREND:MEASu rement <type> (see <a href="#">page 373</a> )	:FUNCTION:TREND:MEASu rement? (see <a href="#">page 373</a> )	<type> ::= {VAverage   ACRMs   VRATio   PERiod   FREQuency   PWIDth   NWIDth   DUTYcycle   RISetime   FALLtime}

### Introduction to :FUNCTION Commands

The FUNCTION subsystem controls the math functions in the oscilloscope. As selected by the OPERATION command, these math functions are available:

- Operators:
  - ADD
  - SUBTRACT
  - MULTIPLY

Operators perform their function on two analog channel sources.

- Transforms:
  - DIFF – Differentiate
  - INTEGRATE – The INTEGRATE:OFFSET command lets you specify a DC offset correction factor.
  - FFT – The SPAN, CENTER, VTYPE, and WINDOW commands are used for FFT functions. When FFT is selected, the horizontal cursors change from time to frequency (Hz), and the vertical cursors change from volts to decibel (dB).
  - SQRT – Square root

Transforms operate on a single analog channel source or on a g(t) function that is the addition, subtraction, or multiplication of analog channel sources (specified by the GOFT commands).

With the DSOX3ADVMATH advanced math measurements license, these additional math functions are available:

- Operators:
  - DIVIDE
- Transforms:
  - LINear – Ax + B – The LINear commands set the gain (A) and offset (B) values for this function.
  - SQUARE
  - ABSolute – Absolute Value



- LOG – Common Logarithm
- LN – Natural Logarithm
- EXP – Exponential ( $e^x$ )
- TEN – Base 10 exponential ( $10^x$ )
- Filters:
  - LOWPass – Low pass filter – The FREQUency:LOWPass command sets the -3 dB cutoff frequency.
  - HIGHpass – High pass filter – The FREQUency:HIGHpass command sets the -3 dB cutoff frequency.

Filters operate on a single analog channel source or on a g(t) function that is the addition, subtraction, or multiplication of analog channel sources (specified by the GOFT commands).

- Visualizations:
  - MAGNify – Operates on a single analog channel source or on a g(t) function that is the addition, subtraction, or multiplication of analog channel sources (specified by the GOFT commands).
  - TREND – Measurement trend – Operates on a single analog channel source. The TREND:MEASurement command selects the measurement whose trend you want to measure.
  - BTIMing – Chart logic bus timing – Operates on a bus made up of digital channels. The BUS:YINcrement, BUS:YORigin, and BUS:YUNit commands specify function values.
  - BState – Chart logic bus state – Operates on a bus made up of digital channels. The BUS:YINcrement, BUS:YORigin, and BUS:YUNit commands specify function values. The BUS:CLOCK and BUS:SLOPe commands specify the clock source and edge.

The SOURce1, DISPlay, RANGe, and OFFSet (or REFerence) commands apply to any function.

### Reporting the Setup

Use :FUNction? to query setup information for the FUNction subsystem.

### Return Format

The following is a sample response from the :FUNction? queries. In this case, the query was issued following a \*RST command.

```
:FUNC:OPER ADD;DISP 0;SOUR1 CHAN1;SOUR2 CHAN2;RANG +8.00E+00;OFFS
+0.00E+00;;:FUNC:GOFT:OPER ADD;SOUR1 CHAN1;SOUR2 CHAN2
```

## :FUNCTION:BUS:CLOCK

**N** (see [page 1172](#))

**Command Syntax** :FUNCTION:BUS:CLOCK <source>

<source> ::= {DIGital<d>}

<d> ::= 0 to (# digital channels - 1) in NR1 format

The :FUNCTION:BUS:CLOCK command selects the clock signal source for the Chart Logic Bus State operation.

This command is available with the DSOX3ADVMATH advanced math license.

**Query Syntax** :FUNCTION:BUS:CLOCK?

The :FUNCTION:BUS:CLOCK query returns the source selected for the clock signal.

**Return Format** <source><NL>

<source> ::= {DIGital<d>}

<d> ::= 0 to (# digital channels - 1) in NR1 format

**See Also** • [":FUNCTION:OPERation"](#) on page 365

## :FUNCTION:BUS:SLOPe

**N** (see [page 1172](#))

**Command Syntax** :FUNCTION:BUS:SLOPe <slope>

<slope> ::= {NEGative | POSitive | EITHer}

The :FUNCTION:BUS:SLOPe command specifies the clock signal edge for the Chart Logic Bus State operation.

This command is available with the DSOX3ADVMATH advanced math license.

**Query Syntax** :FUNCTION:BUS:SLOPe?

The :FUNCTION:BUS:SLOPe query returns the clock edge setting.

**Return Format** <slope><NL>

<slope> ::= {NEGative | POSitive | EITHer}

**See Also** • [":FUNCTION:OPERation"](#) on page 365

## :FUNCTION:BUS:YINCrement

**N** (see [page 1172](#))

**Command Syntax** :FUNCTION:BUS:YINCrement <value>

<value> ::= value per bus code, in NR3 format

The :FUNCTION:BUS:YINCrement command specifies the value associated with each increment in Chart Logic Bus data.

This command is available with the DSOX3ADVMATH advanced math license.

**Query Syntax** :FUNCTION:BUS:YINCrement?

The :FUNCTION:BUS:YINCrement query returns the value associated with each increment in Chart Logic Bus data.

**Return Format** <value><NL>

<value> ::= value per bus code, in NR3 format

**See Also** • [":FUNCTION:OPERation"](#) on page 365

## :FUNCTION:BUS:YORigin

**N** (see [page 1172](#))

**Command Syntax** :FUNCTION:BUS:YORigin <value>

<value> ::= value at bus code = 0, in NR3 format

The :FUNCTION:BUS:YORigin command specifies the value associated with Chart Logic Bus data equal to zero.

This command is available with the DSOX3ADVMATH advanced math license.

**Query Syntax** :FUNCTION:BUS:YORigin?

The :FUNCTION:BUS:YORigin query returns the value for associated with data equal to zero.

**Return Format** <value><NL>

<value> ::= value at bus code = 0, in NR3 format

**See Also** • [":FUNCTION:OPERation"](#) on page 365

## :FUNCTION:BUS:YUNits

**N** (see [page 1172](#))

**Command Syntax** :FUNCTION:BUS:YUNits <units>

<units> ::= {VOLT | AMPere | NONE}

The :FUNCTION:BUS:YUNits command specifies the vertical units for the Chart Logic Bus operations.

This command is available with the DSOX3ADVMATH advanced math license.

**Query Syntax** :FUNCTION:BUS:YUNits?

The :FUNCTION:BUS:YUNits query returns the Chart Logic Bus vertical units.

**Return Format** <units><NL>

<units> ::= {VOLT | AMP | NONE}

**See Also** • [":FUNCTION:OPERation"](#) on page 365

## :FUNCTION:DISPlay

**N** (see [page 1172](#))

**Command Syntax** :FUNCTION:DISPlay <display>  
 <display> ::= {{1 | ON} | {0 | OFF}}

The :FUNCTION:DISPlay command turns the display of the function on or off. When ON is selected, the function performs as specified using the other FUNCTION commands. When OFF is selected, function is neither calculated nor displayed.

**Query Syntax** :FUNCTION:DISPlay?

The :FUNCTION:DISPlay? query returns whether the function display is on or off.

**Return Format** <display><NL>  
 <display> ::= {1 | 0}

- See Also**
- ["Introduction to :FUNCTION Commands"](#) on page 344
  - [":VIEW"](#) on page 238
  - [":BLANK"](#) on page 210
  - [":STATus"](#) on page 235

**:FUNCTION[:FFT]:CENTER**

**N** (see [page 1172](#))

**Command Syntax** :FUNCTION[:FFT]:CENTER <frequency>

<frequency> ::= the current center frequency in NR3 format. The range of legal values is from 0 Hz to 25 GHz.

The :FUNCTION[:FFT]:CENTER command sets the center frequency when FFT (Fast Fourier Transform) is selected.

**Query Syntax** :FUNCTION[:FFT]:CENTER?

The :FUNCTION[:FFT]:CENTER? query returns the current center frequency in Hertz.

**Return Format** <frequency><NL>

<frequency> ::= the current center frequency in NR3 format. The range of legal values is from 0 Hz to 25 GHz.

**NOTE**

After a \*RST (Reset) or :AUToscale command, the values returned by the :FUNCTION[:FFT]:CENTER? and :FUNCTION:SPAN? queries depend on the current :TIMEbase:RANGe value. Once you change either the :FUNCTION[:FFT]:CENTER or :FUNCTION:SPAN value, they no longer track the :TIMEbase:RANGe value.

- See Also**
- ["Introduction to :FUNCTION Commands"](#) on page 344
  - [":FUNCTION\[:FFT\]:SPAN"](#) on page 353
  - [":TIMEbase:RANGe"](#) on page 903
  - [":TIMEbase:SCALE"](#) on page 905



## :FUNCTION[:FFT]:SPAN

**N** (see [page 1172](#))

**Command Syntax** :FUNCTION[:FFT]:SPAN <span>

<span> ::= the current frequency span in NR3 format. Legal values are 1 Hz to 100 GHz.

If you set the frequency span to a value outside of the legal range, the step size is automatically set to the nearest legal value.

The :FUNCTION[:FFT]:SPAN command sets the frequency span of the display (left graticule to right graticule) when FFT (Fast Fourier Transform) is selected.

**Query Syntax** :FUNCTION[:FFT]:SPAN?

The :FUNCTION[:FFT]:SPAN? query returns the current frequency span in Hertz.

**NOTE**

After a \*RST (Reset) or :AUToscale command, the values returned by the :FUNCTION[:FFT]:CENTER? and :FUNCTION:SPAN? queries depend on the current :TIMEbase:RANGE value. Once you change either the :FUNCTION[:FFT]:CENTER or :FUNCTION:SPAN value, they no longer track the :TIMEbase:RANGE value.

**Return Format** <span><NL>

<span> ::= the current frequency span in NR3 format. Legal values are 1 Hz to 100 GHz.

- See Also**
- ["Introduction to :FUNCTION Commands"](#) on page 344
  - [":FUNCTION\[:FFT\]:CENTER"](#) on page 352
  - [":TIMEbase:RANGE"](#) on page 903
  - [":TIMEbase:SCALE"](#) on page 905

## :FUNCTION[:FFT]:VTYPE

**N** (see [page 1172](#))

**Command Syntax** :FUNCTION[:FFT]:VTYPE <units>

<units> ::= {DECibel | VRMS}

The :FUNCTION[:FFT]:VTYPE command specifies FFT vertical units as DECibel or VRMS.

**Query Syntax** :FUNCTION[:FFT]:VTYPE?

The :FUNCTION[:FFT]:VTYPE? query returns the current FFT vertical units.

**Return Format** <units><NL>

<units> ::= {DEC | VRMS}

- See Also**
- ["Introduction to :FUNCTION Commands"](#) on page 344
  - [":FUNCTION:OPERation"](#) on page 365

## :FUNCTION[:FFT]:WINDOW

**N** (see [page 1172](#))

**Command Syntax** :FUNCTION[:FFT]:WINDOW <window>

<window> ::= {RECTangular | HANNing | FLATtop | BHARris}

The :FUNCTION[:FFT]:WINDOW command allows the selection of four different windowing transforms or operations for the FFT (Fast Fourier Transform) function.

The FFT operation assumes that the time record repeats. Unless an integral number of sampled waveform cycles exist in the record, a discontinuity is created between the end of one record and the beginning of the next. This discontinuity introduces additional frequency components about the peaks into the spectrum. This is referred to as leakage. To minimize leakage, windows that approach zero smoothly at the start and end of the record are employed as filters to the FFTs. Each window is useful for certain classes of input signals.

- RECTangular – useful for transient signals, and signals where there are an integral number of cycles in the time record.
- HANNing – useful for frequency resolution and general purpose use. It is good for resolving two frequencies that are close together, or for making frequency measurements. This is the default window.
- FLATtop – best for making accurate amplitude measurements of frequency peaks.
- BHARris (Blackman-Harris) – reduces time resolution compared to the rectangular window, but it improves the capacity to detect smaller impulses due to lower secondary lobes (provides minimal spectral leakage).

**Query Syntax** :FUNCTION[:FFT]:WINDOW?

The :FUNCTION[:FFT]:WINDOW? query returns the value of the window selected for the FFT function.

**Return Format** <window><NL>

<window> ::= {RECT | HANN | FLAT | BHAR}

**See Also** • ["Introduction to :FUNCTION Commands"](#) on page 344

## :FUNCTION:FREQUENCY:HIGHPASS

**N** (see [page 1172](#))

**Command Syntax** :FUNCTION:FREQUENCY:HIGHPASS <3dB\_freq>

<3dB\_freq> ::= -3dB cutoff frequency value in NR3 format

The :FUNCTION:FREQUENCY:HIGHPASS command sets the high-pass filter's -3 dB cutoff frequency.

The high-pass filter is a single-pole high pass filter.

This command is available with the DSOX3ADVMATH advanced math license.

**Query Syntax** :FUNCTION:FREQUENCY:HIGHPASS?

The :FUNCTION:FREQUENCY:HIGHPASS query returns the high-pass filter's cutoff frequency.

**Return Format** <3dB\_freq><NL>

<3dB\_freq> ::= -3dB cutoff frequency value in NR3 format

**See Also** • [":FUNCTION:OPERATION"](#) on page 365

## :FUNCTION:FREQUENCY:LOWPass

**N** (see [page 1172](#))

**Command Syntax** :FUNCTION:FREQUENCY:LOWPass <3dB\_freq>

<3dB\_freq> ::= -3dB cutoff frequency value in NR3 format

The :FUNCTION:FREQUENCY:LOWPass command sets the low-pass filter's -3 dB cutoff frequency.

The low-pass filter is a 4th order Bessel-Thompson filter.

This command is available with the DSOX3ADVMATH advanced math license.

**Query Syntax** :FUNCTION:FREQUENCY:LOWPass?

The :FUNCTION:FREQUENCY:LOWPass query returns the low-pass filter's cutoff frequency.

**Return Format** <3dB\_freq><NL>

<3dB\_freq> ::= -3dB cutoff frequency value in NR3 format

**See Also** • [":FUNCTION:OPERation"](#) on page 365

## :FUNCTION:GOFT:OPERation

**N** (see [page 1172](#))

**Command Syntax** :FUNCTION:GOFT:OPERation <operation>

<operation> ::= {ADD | SUBTract | MULTiPLY}

The :FUNCTION:GOFT:OPERation command sets the math operation for the g(t) source that can be used as the input to transform or filter functions (if available):

- ADD – Source1 + source2.
- SUBTract – Source1 - source2.
- MULTiPLY – Source1 \* source2.

The :FUNCTION:GOFT:SOURce1 and :FUNCTION:GOFT:SOURce2 commands are used to select source1 and source2.

**Query Syntax** :FUNCTION:GOFT:OPERation?

The :FUNCTION:GOFT:OPERation? query returns the current g(t) source operation setting.

**Return Format** <operation><NL>

<operation> ::= {ADD | SUBT | MULT}

- See Also**
- ["Introduction to :FUNCTION Commands"](#) on page 344
  - [":FUNCTION:GOFT:SOURce1"](#) on page 359
  - [":FUNCTION:GOFT:SOURce2"](#) on page 360
  - [":FUNCTION:SOURce1"](#) on page 370

## :FUNCTION:GOFT:SOURce1

**N** (see [page 1172](#))

**Command Syntax** :FUNCTION:GOFT:SOURce1 <value>

<value> ::= CHANnel<n>

<n> ::= {1 | 2 | 3 | 4} for 4ch models

<n> ::= {1 | 2} for 2ch models

The :FUNCTION:GOFT:SOURce1 command selects the first input channel for the g(t) source that can be used as the input to transform or filter functions (if available).

**Query Syntax** :FUNCTION:GOFT:SOURce1?

The :FUNCTION:GOFT:SOURce1? query returns the current selection for the first input channel for the g(t) source.

**Return Format** <value><NL>

<value> ::= CHAN<n>

<n> ::= {1 | 2 | 3 | 4} for the 4ch models

<n> ::= {1 | 2} for the 2ch models

- See Also**
- ["Introduction to :FUNCTION Commands"](#) on page 344
  - [":FUNCTION:GOFT:SOURce2"](#) on page 360
  - [":FUNCTION:GOFT:OPERation"](#) on page 358

## :FUNCTION:GOFT:SOURce2

**N** (see [page 1172](#))

**Command Syntax** :FUNCTION:GOFT:SOURce2 <value>

<value> ::= CHANnel<n>

<n> ::= {1 | 2 | 3 | 4} for 4ch models

<n> ::= {1 | 2} for 2ch models

The :FUNCTION:GOFT:SOURce2 command selects the second input channel for the g(t) source that can be used as the input to transform or filter functions (if available).

**Query Syntax** :FUNCTION:GOFT:SOURce2?

The :FUNCTION:GOFT:SOURce2? query returns the current selection for the second input channel for the g(t) source.

**Return Format** <value><NL>

<value> ::= CHAN<n>

<n> ::= {1 | 2 | 3 | 4} for 4ch models

<n> ::= {1 | 2} for 2ch models

- See Also**
- ["Introduction to :FUNCTION Commands"](#) on page 344
  - [":FUNCTION:GOFT:SOURce1"](#) on page 359
  - [":FUNCTION:GOFT:OPERation"](#) on page 358



## :FUNCTION:INTEgrate:IOFFset

**N** (see [page 1172](#))

**Command Syntax** :FUNCTION:INTEgrate:IOFFset <input\_offset>

<input\_offset> ::= DC offset correction in NR3 format.

The :FUNCTION:INTEgrate:IOFFset command lets you enter a DC offset correction factor for the integrate math waveform input signal. This DC offset correction lets you level a "ramp"ed waveform.

**Query Syntax** :FUNCTION:INTEgrate:IOFFset?

The :FUNCTION:INTEgrate:IOFFset? query returns the current input offset value.

**Return Format** <input\_offset><NL>

<input\_offset> ::= DC offset correction in NR3 format.

- See Also**
- ["Introduction to :FUNCTION Commands"](#) on page 344
  - [":FUNCTION:OPERation"](#) on page 365

## :FUNCTION:LINear:GAIN

**N** (see [page 1172](#))

**Command Syntax** :FUNCTION:LINear:GAIN <value>

<value> ::= 'A' in Ax + B, value in NR3 format

The :FUNCTION:LINear:GAIN command specifies the 'A' value in the Ax + B operation.

This command is available with the DSOX3ADVMATH advanced math license.

**Query Syntax** :FUNCTION:LINear:GAIN?

The :FUNCTION:LINear:GAIN query returns the gain value.

**Return Format** <value><NL>

<value> ::= 'A' in Ax + B, value in NR3 format

**See Also** • [":FUNCTION:OPERation"](#) on page 365

## :FUNCTION:LINear:OFFSet

**N** (see [page 1172](#))

**Command Syntax** :FUNCTION:LINear:OFFSet <value>

<value> ::= 'B' in Ax + B, value in NR3 format

The :FUNCTION:LINear:OFFSet command specifies the 'B' value in the Ax + B operation.

This command is available with the DSOX3ADVMATH advanced math license.

**Query Syntax** :FUNCTION:LINear:OFFSet?

The :FUNCTION:LINear:OFFSet query returns the offset value.

**Return Format** <value><NL>

<value> ::= 'B' in Ax + B, value in NR3 format

**See Also** • [":FUNCTION:OPERation"](#) on page 365

## :FUNCTION:OFFSet

**N** (see [page 1172](#))

**Command Syntax** :FUNCTION:OFFSet <offset>

<offset> ::= the value at center screen in NR3 format.

The :FUNCTION:OFFSet command sets the voltage or vertical value represented at center screen for the selected function. The range of legal values is generally +/-10 times the current scale of the selected function, but will vary by function. If you set the offset to a value outside of the legal range, the offset value is automatically set to the nearest legal value.

### NOTE

The :FUNCTION:OFFSet command is equivalent to the :FUNCTION:REFerence command.

**Query Syntax** :FUNCTION:OFFSet?

The :FUNCTION:OFFSet? query outputs the current offset value for the selected function.

**Return Format** <offset><NL>

<offset> ::= the value at center screen in NR3 format.

- See Also**
- ["Introduction to :FUNCTION Commands"](#) on page 344
  - [":FUNCTION:RANGe"](#) on page 367
  - [":FUNCTION:REFerence"](#) on page 368
  - [":FUNCTION:SCALE"](#) on page 369

## :FUNCTION:OPERation

**N** (see [page 1172](#))

**Command Syntax** :FUNCTION:OPERation <operation>

```
<operation> ::= {ADD | SUBTract | MULTiPLY | INTegrate | DIFF | FFT
  | SQRT | MAGNify | ABSolute | SQUare | LN | LOG | EXP | TEN
  | LOWPass | HIGHpass | DIVide | LINear | TRENd | BTIMing | BSTate}
```

The :FUNCTION:OPERation command sets the desired waveform math operation:

- ADD – Source1 + source2.
- SUBTract – Source1 - source2.
- MULTiPLY – Source1 \* source2.
- INTegrate – Integrate the selected waveform source.
- DIFF – Differentiate the selected waveform source.
- FFT – Fast Fourier Transform on the selected waveform source.
- SQRT – Square root on the selected waveform source.

With the DSOX3ADVMATH advanced math license, these additional operations are available:

- MAGNify – Magnify of the selected waveform source.
- ABSolute – Absolute value of the selected waveform source.
- SQUare – Square of the selected waveform source.
- LN – Natural logarithm on the selected waveform source.
- LOG – Common logarithm on the selected waveform source.
- EXP – Exponential ( $e^x$ ) on the selected waveform source.
- TEN – Base 10 exponential ( $10^x$ ) on the selected waveform source.
- LOWPass – Low-pass filter on the selected waveform source.
- HIGHpass – High-pass filter on the selected waveform source.
- DIVide – Divide operation on the selected waveform source.
- LINear –  $Ax + B$  operation on the selected waveform source.
- TRENd – Measurement Trend. The math waveform shows measurement values for each cycle of a selected waveform source.
- BTIMing – Chart Logic Bus Timing on the on the selected digital bus.
- BSTate – Chart Logic Bus State on the on the selected digital bus.

When the operation is ADD, SUBTract, MULTiPLY, or DIVide, the :FUNCTION:SOURce1 and :FUNCTION:SOURce2 commands are used to select source1 and source2. For all other operations, the :FUNCTION:SOURce1 command selects the waveform source.

**Query Syntax** :FUNction:OPERation?

The :FUNction:OPERation? query returns the current operation for the selected function.

**Return Format** <operation><NL>

```
<operation> ::= {ADD | SUBT | MULT | INT | DIFF | FFT | SQRT | MAGN  
| ABS | SQU | LN | LOG | EXP | TEN | LOWP | HIGH | DIV | LIN | TREN  
| BTIM | BST}
```

- See Also**
- ["Introduction to :FUNction Commands"](#) on page 344
  - [":FUNction:SOURce1"](#) on page 370
  - [":FUNction:SOURce2"](#) on page 372

## :FUNCTION:RANGe

**N** (see [page 1172](#))

**Command Syntax** :FUNCTION:RANGe <range>

<range> ::= the full-scale vertical axis value in NR3 format.

The :FUNCTION:RANGe command defines the full-scale vertical axis for the selected function.

**Query Syntax** :FUNCTION:RANGe?

The :FUNCTION:RANGe? query returns the current full-scale range value for the selected function.

**Return Format** <range><NL>

<range> ::= the full-scale vertical axis value in NR3 format.

- See Also**
- ["Introduction to :FUNCTION Commands"](#) on page 344
  - [":FUNCTION:SCALE"](#) on page 369

## :FUNCTION:REFERENCE

**N** (see [page 1172](#))

**Command Syntax** :FUNCTION:REFERENCE <level>

<level> ::= the current reference level in NR3 format.

The :FUNCTION:REFERENCE command sets the voltage or vertical value represented at center screen for the selected function. The range of legal values is generally +/-10 times the current scale of the selected function, but will vary by function. If you set the reference level to a value outside of the legal range, the level is automatically set to the nearest legal value.

### NOTE

The :FUNCTION:REFERENCE command is equivalent to the :FUNCTION:OFFSET command.

**Query Syntax** :FUNCTION:REFERENCE?

The :FUNCTION:REFERENCE? query outputs the current reference level value for the selected function.

**Return Format** <level><NL>

<level> ::= the current reference level in NR3 format.

- See Also**
- ["Introduction to :FUNCTION Commands"](#) on page 344
  - [":FUNCTION:OFFSET"](#) on page 364
  - [":FUNCTION:RANGE"](#) on page 367
  - [":FUNCTION:SCALE"](#) on page 369



## :FUNCTION:SCALE

**N** (see [page 1172](#))

**Command Syntax** :FUNCTION:SCALE <scale value>[<suffix>]  
 <scale value> ::= integer in NR1 format  
 <suffix> ::= {V | dB}

The :FUNCTION:SCALE command sets the vertical scale, or units per division, of the selected function. Legal values for the scale depend on the selected function.

**Query Syntax** :FUNCTION:SCALE?

The :FUNCTION:SCALE? query returns the current scale value for the selected function.

**Return Format** <scale value><NL>  
 <scale value> ::= integer in NR1 format

- See Also**
- ["Introduction to :FUNCTION Commands"](#) on page 344
  - [":FUNCTION:RANGE"](#) on page 367

## :FUNCTION:SOURce1

**N** (see [page 1172](#))

**Command Syntax** :FUNCTION:SOURce1 <value>

<value> ::= {CHANnel<n> | GOFT | BUS<m>}

<n> ::= {1 | 2 | 3 | 4} for 4ch models

<n> ::= {1 | 2} for 2ch models

<m> ::= {1 | 2}

The :FUNCTION:SOURce1 command is used for any :FUNCTION:OPERation selection. This command selects the first source for the operator math functions or the single source for the transform functions, filter functions, or visualization functions.

The GOFT parameter is only available for the transform functions, filter functions, and the magnify visualization function (see "[Introduction to :FUNCTION Commands](#)" on page 344). The GOFT parameter lets you specify, as the function input source, the addition, subtraction, or multiplication of two channels. When GOFT is used, the g(t) source is specified by the :FUNCTION:GOFT:OPERation, :FUNCTION:GOFT:SOURce1, and :FUNCTION:GOFT:SOURce2 commands.

The BUS<m> parameter is available for the bus charting visualization functions available with the DSOX3ADVMATH advanced math license.

### NOTE

Another shorthand notation for SOURce1 in this command/query (besides SOUR1) is SOUR.

**Query Syntax** :FUNCTION:SOURce1?

The :FUNCTION:SOURce1? query returns the current source1 for function operations.

**Return Format** <value><NL>

<value> ::= {CHAN<n> | GOFT | BUS<m>}

<n> ::= {1 | 2 | 3 | 4} for 4ch models

<n> ::= {1 | 2} for 2ch models

<m> ::= {1 | 2}

- See Also**
- "[Introduction to :FUNCTION Commands](#)" on page 344
  - "[:FUNCTION:OPERation](#)" on page 365
  - "[:FUNCTION:GOFT:OPERation](#)" on page 358
  - "[:FUNCTION:GOFT:SOURce1](#)" on page 359

- **":FUNction:GOFT:SOURce2"** on page 360

**:FUNCTION:SOURce2**

**N** (see [page 1172](#))

**Command Syntax** :FUNCTION:SOURce2 <value>  
 <value> ::= {CHANnel<n> | NONE}  
 <n> ::= {1 | 2 | 3 | 4} for 4ch models  
 <n> ::= {1 | 2} for 2ch models

The :FUNCTION:SOURce2 command specifies the second source for math operator functions that have two sources. (The :FUNCTION:SOURce1 command specifies the first source.)

The :FUNCTION:SOURce2 setting is not used for the transform functions, filter functions, or visualization functions (except when the measurement trend visualization's measurement requires two sources).

**Query Syntax** :FUNCTION:SOURce2?

The :FUNCTION:SOURce2? query returns the currently specified second source for math operations.

**Return Format** <value><NL>  
 <value> ::= {CHAN<n> | NONE}  
 <n> ::= {1 | 2 | 3 | 4} for 4ch models  
 <n> ::= {1 | 2} for 2ch models

- See Also**
- ["Introduction to :FUNCTION Commands"](#) on page 344
  - [":FUNCTION:OPERation"](#) on page 365
  - [":FUNCTION:SOURce1"](#) on page 370

## :FUNCTION:TREND:MEASUREMENT

**N** (see [page 1172](#))

**Command Syntax** :FUNCTION:TREND:MEASUREMENT <type>

```
<type> ::= {VAverage | ACRMs | VRATio | PERiod | FREQuency | PWIDth
            | NWIDth | DUTYcycle | RISetime | FALLtime}
```

The :FUNCTION:TREND:MEASUREMENT command selects the measurement whose trend is shown in the math waveform.

This command is available with the DSOX3ADVMATH advanced math license.

**Query Syntax** :FUNCTION:TREND:MEASUREMENT?

The :FUNCTION:TREND:MEASUREMENT query returns the selected measurement.

**Return Format** <type><NL>

```
<type> ::= {VAV | ACRM | VRAT | PER | FREQ | PWID | NWID | DUTY
            | RIS | FALL}
```

**See Also** • [":FUNCTION:OPERATION"](#) on page 365



# 17 :HARDcopy Commands

Set and query the selection of hardcopy device and formatting options. See "[Introduction to :HARDcopy Commands](#)" on page 376.

**Table 90** :HARDcopy Commands Summary

Command	Query	Options and Query Returns
:HARDcopy:AREA <area> (see <a href="#">page 377</a> )	:HARDcopy:AREA? (see <a href="#">page 377</a> )	<area> ::= SCReen
:HARDcopy:APRinter <active_printer> (see <a href="#">page 378</a> )	:HARDcopy:APRinter? (see <a href="#">page 378</a> )	<active_printer> ::= {<index>   <name>}  <index> ::= integer index of printer in list  <name> ::= name of printer in list
:HARDcopy:FACTors {{0   OFF}   {1   ON}} (see <a href="#">page 379</a> )	:HARDcopy:FACTors? (see <a href="#">page 379</a> )	{0   1}
:HARDcopy:FFEed {{0   OFF}   {1   ON}} (see <a href="#">page 380</a> )	:HARDcopy:FFEed? (see <a href="#">page 380</a> )	{0   1}
:HARDcopy:INKSaver {{0   OFF}   {1   ON}} (see <a href="#">page 381</a> )	:HARDcopy:INKSaver? (see <a href="#">page 381</a> )	{0   1}
:HARDcopy:LAYout <layout> (see <a href="#">page 382</a> )	:HARDcopy:LAYout? (see <a href="#">page 382</a> )	<layout> ::= {LANdScape   PORtRait}
:HARDcopy:NETWork:ADD Res <address> (see <a href="#">page 383</a> )	:HARDcopy:NETWork:ADD Res? (see <a href="#">page 383</a> )	<address> ::= quoted ASCII string
:HARDcopy:NETWork:APP Ly (see <a href="#">page 384</a> )	n/a	n/a

**Table 90** :HARDcopy Commands Summary (continued)

Command	Query	Options and Query Returns
:HARDcopy:NETWork:DOM ain <domain> (see page 385)	:HARDcopy:NETWork:DOM ain? (see page 385)	<domain> ::= quoted ASCII string
:HARDcopy:NETWork:PAS Sword <password> (see page 386)	n/a	<password> ::= quoted ASCII string
:HARDcopy:NETWork:SLO T <slot> (see page 387)	:HARDcopy:NETWork:SLO T? (see page 387)	<slot> ::= {NET0   NET1}
:HARDcopy:NETWork:USE Rname <username> (see page 388)	:HARDcopy:NETWork:USE Rname? (see page 388)	<username> ::= quoted ASCII string
:HARDcopy:PALette <palette> (see page 389)	:HARDcopy:PALette? (see page 389)	<palette> ::= {COLor   GRAYscale   NONE}
n/a	:HARDcopy:PRINter:LI S T? (see page 390)	<list> ::= [<printer_spec>] ... [printer_spec]  <printer_spec> ::= "<index>,<active>,<name>;"  <index> ::= integer index of printer  <active> ::= {Y   N}  <name> ::= name of printer
:HARDcopy:START (see page 391)	n/a	n/a

### Introduction to :HARDcopy Commands

The HARDcopy subsystem provides commands to set and query the selection of hardcopy device and formatting options such as inclusion of instrument settings (FACTors) and generation of formfeed (FFEed).

:HARDC is an acceptable short form for :HARDcopy.

### Reporting the Setup

Use :HARDcopy? to query setup information for the HARDcopy subsystem.

### Return Format

The following is a sample response from the :HARDcopy? query. In this case, the query was issued following the \*RST command.

```
:HARD:APR " ";AREA SCR;FACT 0;FFE 0;INKS 1;PAL NONE;LAY PORT
```



## :HARDcopy:AREA

**N** (see [page 1172](#))

**Command Syntax** :HARDcopy:AREA <area>

<area> ::= SCReen

The :HARDcopy:AREA command controls what part of the display area is printed. Currently, the only legal choice is SCReen.

**Query Syntax** :HARDcopy:AREA?

The :HARDcopy:AREA? query returns the selected display area.

**Return Format** <area><NL>

<area> ::= SCR

- See Also**
- ["Introduction to :HARDcopy Commands"](#) on page 376
  - [":HARDcopy:STArT"](#) on page 391
  - [":HARDcopy:APRinter"](#) on page 378
  - [":HARDcopy:PRINter:LIST"](#) on page 390
  - [":HARDcopy:FACTors"](#) on page 379
  - [":HARDcopy:FFEed"](#) on page 380
  - [":HARDcopy:INKSaver"](#) on page 381
  - [":HARDcopy:LAYout"](#) on page 382
  - [":HARDcopy:PALette"](#) on page 389

## :HARDcopy:APRinter

**N** (see [page 1172](#))

**Command Syntax** :HARDcopy:APRinter <active\_printer>  
 <active\_printer> ::= {<index> | <name>}  
 <index> ::= integer index of printer in list  
 <name> ::= name of printer in list

The :HARDcopy:APRinter command sets the active printer.

**Query Syntax** :HARDcopy:APRinter?

The :HARDcopy:APRinter? query returns the name of the active printer.

**Return Format** <name><NL>  
 <name> ::= name of printer in list

- See Also**
- ["Introduction to :HARDcopy Commands"](#) on page 376
  - [":HARDcopy:PRINter:LIST"](#) on page 390
  - [":HARDcopy:START"](#) on page 391

## :HARDcopy:FACTors

**N** (see [page 1172](#))

**Command Syntax** :HARDcopy:FACTors <factors>

<factors> ::= {{OFF | 0} | {ON | 1}}

The :HARDcopy:FACTors command controls whether the scale factors are output on the hardcopy dump.

**Query Syntax** :HARDcopy:FACTors?

The :HARDcopy:FACTors? query returns a flag indicating whether oscilloscope instrument settings are output on the hardcopy.

**Return Format** <factors><NL>

<factors> ::= {0 | 1}

- See Also**
- ["Introduction to :HARDcopy Commands"](#) on page 376
  - [":HARDcopy:START"](#) on page 391
  - [":HARDcopy:FFeed"](#) on page 380
  - [":HARDcopy:INKSaver"](#) on page 381
  - [":HARDcopy:LAYout"](#) on page 382
  - [":HARDcopy:PALette"](#) on page 389

## :HARDcopy:FFeed

**N** (see [page 1172](#))

**Command Syntax** :HARDcopy:FFeed <ffeed>

<ffeed> ::= {{OFF | 0} | {ON | 1}}

The :HARDcopy:FFeed command controls whether a formfeed is output between the screen image and factors of a hardcopy dump.

**Query Syntax** :HARDcopy:FFeed?

The :HARDcopy:FFeed? query returns a flag indicating whether a formfeed is output at the end of the hardcopy dump.

**Return Format** <ffeed><NL>

<ffeed> ::= {0 | 1}

- See Also**
- ["Introduction to :HARDcopy Commands"](#) on page 376
  - [":HARDcopy:START"](#) on page 391
  - [":HARDcopy:FACTors"](#) on page 379
  - [":HARDcopy:INKSaver"](#) on page 381
  - [":HARDcopy:LAYout"](#) on page 382
  - [":HARDcopy:PALette"](#) on page 389

## :HARDcopy:INKSaver

**N** (see [page 1172](#))

**Command Syntax** :HARDcopy:INKSaver <value>  
 <value> ::= {{OFF | 0} | {ON | 1}}

The :HARDcopy:INKSaver command controls whether the graticule colors are inverted or not.

**Query Syntax** :HARDcopy:INKSaver?

The :HARDcopy:INKSaver? query returns a flag indicating whether graticule colors are inverted or not.

**Return Format** <value><NL>  
 <value> ::= {0 | 1}

- See Also**
- ["Introduction to :HARDcopy Commands"](#) on page 376
  - [":HARDcopy:START"](#) on page 391
  - [":HARDcopy:FACTors"](#) on page 379
  - [":HARDcopy:FFEed"](#) on page 380
  - [":HARDcopy:LAYout"](#) on page 382
  - [":HARDcopy:PALette"](#) on page 389

## :HARDcopy:LAYout

**N** (see [page 1172](#))

**Command Syntax** :HARDcopy:LAYout <layout>

<layout> ::= {LANDscape | PORTRait}

The :HARDcopy:LAYout command sets the hardcopy layout mode.

**Query Syntax** :HARDcopy:LAYout?

The :HARDcopy:LAYout? query returns the selected hardcopy layout mode.

**Return Format** <layout><NL>

<layout> ::= {LAND | PORT}

- See Also**
- ["Introduction to :HARDcopy Commands"](#) on page 376
  - [":HARDcopy:START"](#) on page 391
  - [":HARDcopy:FACTors"](#) on page 379
  - [":HARDcopy:PALette"](#) on page 389
  - [":HARDcopy:FFEed"](#) on page 380
  - [":HARDcopy:INKSaver"](#) on page 381

## :HARDcopy:NETWork:ADDRes

**N** (see [page 1172](#))

**Command Syntax** :HARDcopy:NETWork:ADDRes <address>

<address> ::= quoted ASCII string

The :HARDcopy:NETWork:ADDRes command sets the address for a network printer slot. The address is the server/computer name and the printer's share name in the \\server\share format.

The network printer slot is selected by the :HARDcopy:NETWork:SLOT command.

To apply the entered address, use the :HARDcopy:NETWork:APPLY command.

**Query Syntax** :HARDcopy:NETWork:ADDRes?

The :HARDcopy:NETWork:ADDRes? query returns the specified address for the currently selected network printer slot.

**Return Format** <address><NL>

<address> ::= quoted ASCII string

- See Also**
- ["Introduction to :HARDcopy Commands"](#) on page 376
  - [":HARDcopy:NETWork:SLOT"](#) on page 387
  - [":HARDcopy:NETWork:APPLY"](#) on page 384
  - [":HARDcopy:NETWork:DOMain"](#) on page 385
  - [":HARDcopy:NETWork:USERname"](#) on page 388
  - [":HARDcopy:NETWork:PASSword"](#) on page 386

## :HARDcopy:NETWork:APPLy

**N** (see [page 1172](#))

**Command Syntax** :HARDcopy:NETWork:APPLy

The :HARDcopy:NETWork:APPLy command applies the network printer settings and makes the printer connection.

- See Also**
- ["Introduction to :HARDcopy Commands"](#) on page 376
  - [":HARDcopy:NETWork:SLOT"](#) on page 387
  - [":HARDcopy:NETWork:ADDRes"](#) on page 383
  - [":HARDcopy:NETWork:DOMain"](#) on page 385
  - [":HARDcopy:NETWork:USERname"](#) on page 388
  - [":HARDcopy:NETWork:PASSword"](#) on page 386



## :HARDcopy:NETWork:DOMain

**N** (see [page 1172](#))

**Command Syntax** :HARDcopy:NETWork:DOMain <domain>

<domain> ::= quoted ASCII string

The :HARDcopy:NETWork:DOMain command sets the Windows network domain name.

The domain name setting is a common setting for both network printer slots.

**Query Syntax** :HARDcopy:NETWork:DOMain?

The :HARDcopy:NETWork:DOMain? query returns the current Windows network domain name.

**Return Format** <domain><NL>

<domain> ::= quoted ASCII string

- See Also**
- ["Introduction to :HARDcopy Commands"](#) on page 376
  - [":HARDcopy:NETWork:SLOT"](#) on page 387
  - [":HARDcopy:NETWork:APPLY"](#) on page 384
  - [":HARDcopy:NETWork:ADDRESS"](#) on page 383
  - [":HARDcopy:NETWork:USERNAME"](#) on page 388
  - [":HARDcopy:NETWork:PASSWORD"](#) on page 386

## :HARDcopy:NETWork:PASSword

**N** (see [page 1172](#))

**Command Syntax**    :HARDcopy:NETWork:PASSword <password>  
                         <password> ::= quoted ASCII string

The :HARDcopy:NETWork:PASSword command sets the password for the specified Windows network domain and user name.

The password setting is a common setting for both network printer slots.

- See Also**
- ["Introduction to :HARDcopy Commands"](#) on page 376
  - [":HARDcopy:NETWork:USERname"](#) on page 388
  - [":HARDcopy:NETWork:DOMain"](#) on page 385
  - [":HARDcopy:NETWork:SLOT"](#) on page 387
  - [":HARDcopy:NETWork:APPLY"](#) on page 384
  - [":HARDcopy:NETWork:ADDRESS"](#) on page 383

## :HARDcopy:NETWork:SLOT

**N** (see [page 1172](#))

**Command Syntax** :HARDcopy:NETWork:SLOT <slot>

<slot> ::= {NET0 | NET1}

The :HARDcopy:NETWork:SLOT command selects the network printer slot used for the address and apply commands. There are two network printer slots to choose from.

**Query Syntax** :HARDcopy:NETWork:SLOT?

The :HARDcopy:NETWork:SLOT? query returns the currently selected network printer slot.

**Return Format** <slot><NL>

<slot> ::= {NET0 | NET1}

- See Also**
- ["Introduction to :HARDcopy Commands"](#) on page 376
  - [":HARDcopy:NETWork:APPLY"](#) on page 384
  - [":HARDcopy:NETWork:ADDRESS"](#) on page 383
  - [":HARDcopy:NETWork:DOMAIN"](#) on page 385
  - [":HARDcopy:NETWork:USERNAME"](#) on page 388
  - [":HARDcopy:NETWork:PASSWORD"](#) on page 386

## :HARDcopy:NETWork:USERname

**N** (see [page 1172](#))

**Command Syntax** :HARDcopy:NETWork:USERname <username>

<username> ::= quoted ASCII string

The :HARDcopy:NETWork:USERname command sets the user name to use when connecting to the Windows network domain.

The user name setting is a common setting for both network printer slots.

**Query Syntax** :HARDcopy:NETWork:USERname?

The :HARDcopy:NETWork:USERname? query returns the currently set user name.

**Return Format** <username><NL>

<username> ::= quoted ASCII string

- See Also**
- ["Introduction to :HARDcopy Commands"](#) on page 376
  - [":HARDcopy:NETWork:DOMain"](#) on page 385
  - [":HARDcopy:NETWork:PASSword"](#) on page 386
  - [":HARDcopy:NETWork:SLOT"](#) on page 387
  - [":HARDcopy:NETWork:APPLY"](#) on page 384
  - [":HARDcopy:NETWork:ADDRESS"](#) on page 383

## :HARDcopy:PALETTE

**N** (see [page 1172](#))

**Command Syntax** :HARDcopy:PALETTE <palette>  
 <palette> ::= {COLOR | GRAYscale | NONE}

The :HARDcopy:PALETTE command sets the hardcopy palette color.

The oscilloscope's print driver cannot print color images to color laser printers, so the COLOR option is not available when connected to laser printers.

**Query Syntax** :HARDcopy:PALETTE?

The :HARDcopy:PALETTE? query returns the selected hardcopy palette color.

**Return Format** <palette><NL>  
 <palette> ::= {COL | GRAY | NONE}

- See Also**
- ["Introduction to :HARDcopy Commands"](#) on page 376
  - [":HARDcopy:START"](#) on page 391
  - [":HARDcopy:FACTors"](#) on page 379
  - [":HARDcopy:LAYout"](#) on page 382
  - [":HARDcopy:FFEed"](#) on page 380
  - [":HARDcopy:INKSaver"](#) on page 381

## :HARDcopy:PRINter:LIST

**N** (see [page 1172](#))

**Query Syntax** :HARDcopy:PRINter:LIST?

The :HARDcopy:PRINter:LIST? query returns a list of available printers. The list can be empty.

**Return Format** <list><NL>

<list> ::= [<printer\_spec>] ... [printer\_spec]

<printer\_spec> ::= "<index>,<active>,<name>;"

<index> ::= integer index of printer

<active> ::= {Y | N}

<name> ::= name of printer (for example "DESKJET 950C")

- See Also**
- ["Introduction to :HARDcopy Commands"](#) on page 376
  - [":HARDcopy:APRinter"](#) on page 378
  - [":HARDcopy:START"](#) on page 391

## :HARDcopy:START

**N** (see [page 1172](#))

**Command Syntax** :HARDcopy:START

The :HARDcopy:START command starts a print job.

- See Also**
- ["Introduction to :HARDcopy Commands"](#) on page 376
  - [":HARDcopy:APRinter"](#) on page 378
  - [":HARDcopy:PRINter:LIST"](#) on page 390
  - [":HARDcopy:FACTors"](#) on page 379
  - [":HARDcopy:FFEed"](#) on page 380
  - [":HARDcopy:INKSaver"](#) on page 381
  - [":HARDcopy:LAYout"](#) on page 382
  - [":HARDcopy:PALette"](#) on page 389





# 18 :LISTer Commands

**Table 91** :LISTer Commands Summary

Command	Query	Options and Query Returns
n/a	:LISTer:DATA? (see <a href="#">page 394</a> )	<binary_block> ::= comma-separated data with newlines at the end of each row
:LISTer:DISPlay { {OFF   0}   {SBUS1   ON   1}   {SBUS2   2}   ALL} (see <a href="#">page 395</a> )	:LISTer:DISPlay? (see <a href="#">page 395</a> )	{OFF   SBUS1   SBUS2   ALL}
:LISTer:REfERENCE <time_ref> (see <a href="#">page 396</a> )	:LISTer:REfERENCE? (see <a href="#">page 396</a> )	<time_ref> ::= {TRIGger   PREVIOUS}

**Introduction to :LISTer Commands** The LISTer subsystem is used to turn on/off the serial decode Lister display and return data from the Lister display.

## :LISTer:DATA

**N** (see [page 1172](#))

**Query Syntax** :LISTer:DATA?

The :LISTer:DATA? query returns the lister data.

**Return Format** <binary\_block><NL>

<binary\_block> ::= comma-separated data with newlines at the end of each row

- See Also**
- ["Introduction to :LISTer Commands"](#) on page 393
  - [":LISTer:DISPlay"](#) on page 395
  - ["Definite-Length Block Response Data"](#) on page 168

## :LISTer:DISPlay

**N** (see [page 1172](#))

**Command Syntax** :LISTer:DISPlay <value>

<value> ::= {{OFF | 0} | {SBUS1 | ON | 1} | {SBUS2 | 2} | ALL}

The :LISTer:DISPlay command configures which of the serial buses to display in the Lister, or whether the Lister is off. "ON" or "1" is the same as "SBUS1".

When set to "ALL", the decode information for different buses is interleaved in time.

Serial bus decode must be on before it can be displayed in the Lister.

**Query Syntax** :LISTer:DISPlay?

The :LISTer:DISPlay? query returns the Lister display setting.

**Return Format** <value><NL>

<value> ::= {OFF | SBUS1 | SBUS2 | ALL}

- See Also**
- ["Introduction to :LISTer Commands"](#) on page 393
  - [":SBUS<n>:DISPlay"](#) on page 656
  - [":LISTer:DATA"](#) on page 394

## :LISTer:REFErrence

**N** (see [page 1172](#))

**Command Syntax** :LISTer:REFErrence <time\_ref>

<time\_ref> ::= {TRIGger | PREVIOUS}

The :LISTer:REFErrence command selects whether the time value for a Lister row is relative to the trigger or the previous Lister row.

**Query Syntax** :LISTer:REFErrence?

The :LISTer:REFErrence? query returns the Lister time reference setting.

**Return Format** <time\_ref><NL>

<time\_ref> ::= {TRIGger | PREVIOUS}

- See Also**
- ["Introduction to :LISTer Commands"](#) on page 393
  - [":SBUS<n>:DISPlay"](#) on page 656
  - [":LISTer:DATA"](#) on page 394
  - [":LISTer:DISPlay"](#) on page 395

# 19 :MARKer Commands

Set and query the settings of X-axis markers (X1 and X2 cursors) and the Y-axis markers (Y1 and Y2 cursors). See "[Introduction to :MARKer Commands](#)" on page 398.

**Table 92** :MARKer Commands Summary

Command	Query	Options and Query Returns
:MARKer:MODE <mode> (see <a href="#">page 399</a> )	:MARKer:MODE? (see <a href="#">page 399</a> )	<mode> ::= {OFF   MEASurement   MANual   WAVeform}
:MARKer:X1Position <position>[suffix] (see <a href="#">page 400</a> )	:MARKer:X1Position? (see <a href="#">page 400</a> )	<position> ::= X1 cursor position value in NR3 format [suffix] ::= {s   ms   us   ns   ps   Hz   kHz   MHz} <return_value> ::= X1 cursor position value in NR3 format
:MARKer:X1Y1source <source> (see <a href="#">page 401</a> )	:MARKer:X1Y1source? (see <a href="#">page 401</a> )	<source> ::= {CHANnel<n>   FUNCTION   MATH   WMEMORY<r>} <n> ::= 1 to (# analog channels) in NR1 format <r> ::= 1-2 in NR1 format <return_value> ::= <source>
:MARKer:X2Position <position>[suffix] (see <a href="#">page 402</a> )	:MARKer:X2Position? (see <a href="#">page 402</a> )	<position> ::= X2 cursor position value in NR3 format [suffix] ::= {s   ms   us   ns   ps   Hz   kHz   MHz} <return_value> ::= X2 cursor position value in NR3 format
:MARKer:X2Y2source <source> (see <a href="#">page 403</a> )	:MARKer:X2Y2source? (see <a href="#">page 403</a> )	<source> ::= {CHANnel<n>   FUNCTION   MATH   WMEMORY<r>} <n> ::= 1 to (# analog channels) in NR1 format <r> ::= 1-2 in NR1 format <return_value> ::= <source>

**Table 92** :MARKer Commands Summary (continued)

Command	Query	Options and Query Returns
n/a	:MARKer:XDELta? (see <a href="#">page 404</a> )	<return_value> ::= X cursors delta value in NR3 format
:MARKer:XUNits <mode> (see <a href="#">page 405</a> )	:MARKer:XUNits? (see <a href="#">page 405</a> )	<units> ::= {SEConds   HERTz   DEGRees   PERCent}
:MARKer:XUNits:USE (see <a href="#">page 406</a> )	n/a	n/a
:MARKer:Y1Position <position>[suffix] (see <a href="#">page 407</a> )	:MARKer:Y1Position? (see <a href="#">page 407</a> )	<position> ::= Y1 cursor position value in NR3 format [suffix] ::= {V   mV   dB} <return_value> ::= Y1 cursor position value in NR3 format
:MARKer:Y2Position <position>[suffix] (see <a href="#">page 409</a> )	:MARKer:Y2Position? (see <a href="#">page 409</a> )	<position> ::= Y2 cursor position value in NR3 format [suffix] ::= {V   mV   dB} <return_value> ::= Y2 cursor position value in NR3 format
n/a	:MARKer:YDELta? (see <a href="#">page 411</a> )	<return_value> ::= Y cursors delta value in NR3 format
:MARKer:YUNits <mode> (see <a href="#">page 412</a> )	:MARKer:YUNits? (see <a href="#">page 412</a> )	<units> ::= {BASE   PERCent}
:MARKer:YUNits:USE (see <a href="#">page 413</a> )	n/a	n/a

**Introduction to :MARKer Commands** The MARKer subsystem commands set and query the settings of X-axis markers (X1 and X2 cursors) and the Y-axis markers (Y1 and Y2 cursors). You can set and query the marker mode and source, the position of the X and Y cursors, and query delta X and delta Y cursor values.

### Reporting the Setup

Use :MARKer? to query setup information for the MARKer subsystem.

### Return Format

The following is a sample response from the :MARKer? query. In this case, the query was issued following a \*RST and ":MARKer:MODE MANual" command.

```
:MARK:X1Y1 CHAN1;X2Y2 CHAN1;MODE MAN
```

## :MARKer:MODE

**N** (see [page 1172](#))

**Command Syntax** :MARKer:MODE <mode>

<mode> ::= {OFF | MEASurement | MANual | WAVeform}

The :MARKer:MODE command sets the cursors mode:

- OFF – removes the cursor information from the display.
- MANual – enables manual placement of the X and Y cursors.

If the front-panel cursors are off, or are set to the front-panel Hex or Binary mode, setting :MARKer:MODE MANual will put the cursors in the front-panel Normal mode.

- MEASurement – cursors track the most recent measurement.

Setting the mode to MEASurement sets the marker sources (:MARKer:X1Y1source and :MARKer:X2Y2source) to the measurement source (:MEASure:SOURce). Setting the measurement source remotely always sets the marker sources.

- WAVeform – the Y1 cursor tracks the voltage value at the X1 cursor of the waveform specified by the X1Y1source, and the Y2 cursor does the same for the X2 cursor and its X2Y2source.

**Query Syntax** :MARKer:MODE?

The :MARKer:MODE? query returns the current cursors mode.

**Return Format** <mode><NL>

<mode> ::= {OFF | MEAS | MAN | WAV}

- See Also**
- ["Introduction to :MARKer Commands"](#) on page 398
  - [":MARKer:X1Y1source"](#) on page 401
  - [":MARKer:X2Y2source"](#) on page 403
  - [":MEASure:SOURce"](#) on page 468
  - [":MARKer:X1Position"](#) on page 400
  - [":MARKer:X2Position"](#) on page 402
  - [":MARKer:Y1Position"](#) on page 407
  - [":MARKer:Y2Position"](#) on page 409

## :MARKer:X1Position

**N** (see [page 1172](#))

**Command Syntax** :MARKer:X1Position <position> [suffix]  
 <position> ::= X1 cursor position in NR3 format  
 <suffix> ::= {s | ms | us | ns | ps | Hz | kHz | MHz}

The :MARKer:X1Position command:

- Sets :MARKer:MODE to MANual if it is not currently set to WAVEform (see [":MARKer:MODE"](#) on page 399).
- Sets the X1 cursor position to the specified value.

X cursor units are set by the :MARKer:XUNits command.

**NOTE**

:MARKer:X1Position is an overlapped command (see ["Sequential vs. Overlapped Commands"](#) on page 1180).

**Query Syntax** :MARKer:X1Position?

The :MARKer:X1Position? query returns the current X1 cursor position. This is functionally equivalent to the obsolete :MEASure:TSTArt command/query.

**NOTE**

If the front-panel cursors are off, the marker position values are not defined and an error is generated. Make sure to set :MARKer:MODE to MANual or WAVEform to put the cursors in the front-panel Normal mode.

**Return Format** <position><NL>  
 <position> ::= X1 cursor position in NR3 format

- See Also**
- ["Introduction to :MARKer Commands"](#) on page 398
  - [":MARKer:MODE"](#) on page 399
  - [":MARKer:X2Position"](#) on page 402
  - [":MARKer:X1Y1source"](#) on page 401
  - [":MARKer:X2Y2source"](#) on page 403
  - [":MARKer:XUNits"](#) on page 405
  - [":MEASure:TSTArt"](#) on page 1108



## :MARKer:X1Y1source

**N** (see [page 1172](#))

**Command Syntax** :MARKer:X1Y1source <source>  
 <source> ::= {CHANnel<n> | FUNction | MATH | WMEMory<r>}  
 <n> ::= 1 to (# analog channels) in NR1 format  
 <r> ::= {1 | 2}

The :MARKer:X1Y1source command sets the source for the cursors. The channel you specify must be enabled for cursors to be displayed. If the channel or function is not on, an error message is issued.

If the marker mode is not currently WAVEform (see [":MARKer:MODE"](#) on page 399):

- Sending a :MARKer:X1Y1source command will put the cursors in the MANual mode.
- Setting the source for one pair of markers (for example, X1Y1) sets the source for the other (for example, X2Y2).

If the marker mode is currently WAVEform, the X1Y1 source can be set separate from the X2Y2 source.

If :MARKer:MODE is set to OFF or MANual, setting :MEASure:SOURce to CHANnel<n>, FUNction, MATH, or WMEMory<r> will also set :MARKer:X1Y1source and :MARKer:X2Y2source to this value.

**NOTE**

MATH is an alias for FUNction. The query will return FUNC if the source is FUNction or MATH.

**Query Syntax** :MARKer:X1Y1source?

The :MARKer:X1Y1source? query returns the current source for the cursors. If all channels are off or if :MARKer:MODE is set to OFF, the query returns NONE.

**Return Format** <source><NL>  
 <source> ::= {CHAN<n> | FUNC | WMEM<r> | NONE}

- See Also**
- ["Introduction to :MARKer Commands"](#) on page 398
  - [":MARKer:MODE"](#) on page 399
  - [":MARKer:X2Y2source"](#) on page 403
  - [":MEASure:SOURce"](#) on page 468

## :MARKer:X2Position

**N** (see [page 1172](#))

**Command Syntax** :MARKer:X2Position <position> [suffix]  
 <position> ::= X2 cursor position in NR3 format  
 <suffix> ::= {s | ms | us | ns | ps | Hz | kHz | MHz}

The :MARKer:X2Position command:

- Sets :MARKer:MODE to MANual if it is not currently set to WAVeform (see [":MARKer:MODE"](#) on page 399).
- Sets the X2 cursor position to the specified value.

X cursor units are set by the :MARKer:XUNits command.

**NOTE**

:MARKer:X2Position is an overlapped command (see ["Sequential vs. Overlapped Commands"](#) on page 1180).

**Query Syntax** :MARKer:X2Position?

The :MARKer:X2Position? query returns current X2 cursor position. This is functionally equivalent to the obsolete :MEASure:TSTOp command/query.

**NOTE**

If the front-panel cursors are off, the marker position values are not defined and an error is generated. Make sure to set :MARKer:MODE to MANual or WAVeform to put the cursors in the front-panel Normal mode.

**Return Format** <position><NL>  
 <position> ::= X2 cursor position in NR3 format

- See Also**
- ["Introduction to :MARKer Commands"](#) on page 398
  - [":MARKer:MODE"](#) on page 399
  - [":MARKer:X1Position"](#) on page 400
  - [":MARKer:X2Y2source"](#) on page 403
  - [":MARKer:XUNits"](#) on page 405
  - [":MEASure:TSTOp"](#) on page 1109

## :MARKer:X2Y2source

**N** (see [page 1172](#))

**Command Syntax** :MARKer:X2Y2source <source>  
 <source> ::= {CHANnel<n> | FUNction | MATH | WMEMory<r>}  
 <n> ::= 1 to (# analog channels) in NR1 format  
 <r> ::= {1 | 2}

The :MARKer:X2Y2source command sets the source for the cursors. The channel you specify must be enabled for cursors to be displayed. If the channel or function is not on, an error message is issued.

If the marker mode is not currently WAVEform (see [":MARKer:MODE"](#) on page 399):

- Sending a :MARKer:X2Y2source command will put the cursors in the MANual mode.
- Setting the source for one pair of markers (for example, X2Y2) sets the source for the other (for example, X1Y1).

If the marker mode is currently WAVEform, the X2Y2 source can be set separate from the X1Y1 source.

If :MARKer:MODE is set to OFF or MANual, setting :MEASure:SOURce to CHANnel<n>, FUNction, MATH, or WMEMory<r> will also set :MARKer:X1Y1source and :MARKer:X2Y2source to this value.

**NOTE**

MATH is an alias for FUNction. The query will return FUNC if the source is FUNction or MATH.

**Query Syntax** :MARKer:X2Y2source?

The :MARKer:X2Y2source? query returns the current source for the cursors. If all channels are off or if :MARKer:MODE is set to OFF, the query returns NONE.

**Return Format** <source><NL>  
 <source> ::= {CHAN<n> | FUNC | WMEM<r> | NONE}

- See Also**
- ["Introduction to :MARKer Commands"](#) on page 398
  - [":MARKer:MODE"](#) on page 399
  - [":MARKer:X1Y1source"](#) on page 401
  - [":MEASure:SOURce"](#) on page 468

**:MARKer:XDELta**

**N** (see [page 1172](#))

**Query Syntax** :MARKer:XDELta?

The MARKer:XDELta? query returns the value difference between the current X1 and X2 cursor positions.

$Xdelta = (Value\ at\ X2\ cursor) - (Value\ at\ X1\ cursor)$

X cursor units are set by the :MARKer:XUNits command.

**NOTE**

If the front-panel cursors are off, the marker position values are not defined. Make sure to set :MARKer:MODE to MANual or WAVeform to put the cursors in the front-panel Normal mode.

**Return Format** <value><NL>

<value> ::= difference value in NR3 format.

- See Also**
- ["Introduction to :MARKer Commands"](#) on page 398
  - [":MARKer:MODE"](#) on page 399
  - [":MARKer:X1Position"](#) on page 400
  - [":MARKer:X2Position"](#) on page 402
  - [":MARKer:X1Y1source"](#) on page 401
  - [":MARKer:X2Y2source"](#) on page 403
  - [":MARKer:XUNits"](#) on page 405

## :MARKer:XUNits

**N** (see [page 1172](#))

**Command Syntax** :MARKer:XUNits <units>

<units> ::= {SECOnds | HERTz | DEGRees | PERCent}

The :MARKer:XUNits command sets the X cursors units:

- SECOnds – for making time measurements.
- HERTz – for making frequency measurements.
- DEGRees – for making phase measurements. Use the :MARKer:XUNits:USE command to set the current X1 location as 0 degrees and the current X2 location as 360 degrees.
- PERCent – for making ratio measurements. Use the :MARKer:XUNits:USE command to set the current X1 location as 0 percent and the current X2 location as 100 percent.

Changing X units affects the input and output values of the :MARKer:X1Position, :MARKer:X2Position, and :MARKer:XDELta commands/queries.

**Query Syntax** :MARKer:XUNits?

The :MARKer:XUNits? query returns the current X cursors units.

**Return Format** <units><NL>

<units> ::= {SEC | HERT | DEGR | PERC}

- See Also**
- ["Introduction to :MARKer Commands"](#) on page 398
  - [":MARKer:XUNits:USE"](#) on page 406
  - [":MARKer:X1Y1source"](#) on page 401
  - [":MARKer:X2Y2source"](#) on page 403
  - [":MEASure:SOURce"](#) on page 468
  - [":MARKer:X1Position"](#) on page 400
  - [":MARKer:X2Position"](#) on page 402

**:MARKer:XUNits:USE**

**N** (see [page 1172](#))

**Command Syntax** `:MARKer:XUNits:USE`

When DEGRees is selected for :MARKer:XUNits, the :MARKer:XUNits:USE command sets the current X1 location as 0 degrees and the current X2 location as 360 degrees.

When PERCent is selected for :MARKer:XUNits, the :MARKer:XUNits:USE command sets the current X1 location as 0 percent and the current X2 location as 100 percent.

Once the 0 and 360 degree or 0 and 100 percent locations are set, inputs to and outputs from the :MARKer:X1Position, :MARKer:X2Position, and :MARKer:XDELta commands/queries are relative to the set locations.

- See Also**
- ["Introduction to :MARKer Commands"](#) on page 398
  - [":MARKer:XUNits"](#) on page 405
  - [":MARKer:X1Y1source"](#) on page 401
  - [":MARKer:X2Y2source"](#) on page 403
  - [":MEASure:SOURce"](#) on page 468
  - [":MARKer:X1Position"](#) on page 400
  - [":MARKer:X2Position"](#) on page 402
  - [":MARKer:XDELta"](#) on page 404

## :MARKer:Y1Position

**N** (see [page 1172](#))

**Command Syntax** :MARKer:Y1Position <position> [suffix]

<position> ::= Y1 cursor position in NR3 format

<suffix> ::= {mV | V | dB}

If the :MARKer:MODE is not currently set to WAVEform (see [":MARKer:MODE"](#) on page 399), the :MARKer:Y1Position command:

- Sets :MARKer:MODE to MANual.
- Sets the Y1 cursor position to the specified value.

Y cursor units are set by the :MARKer:YUNits command.

When the :MARKer:MODE is set to WAVEform, Y positions cannot be set.

**Query Syntax** :MARKer:Y1Position?

The :MARKer:Y1Position? query returns current Y1 cursor position. This is functionally equivalent to the obsolete :MEASure:VStArT command/query.

**NOTE**

When the waveform tracking markers mode is on (:MARKer:MODE WAVEform), use the :MEASure:VTIME? query to get the vertical value at a horizontal X position. A :MARKer:Y1Position? query immediately following a :MARKer:X1Position command (with no time delay between the command and query) will likely not return the tracked value because :MARKer:X1Position is an overlapping command.

**NOTE**

If the front-panel cursors are off or are set to Binary or Hex Mode, the marker position values are not defined and an error is generated. Make sure to set :MARKer:MODE to MANual or WAVEform to put the cursors in the front-panel Normal mode.

**Return Format** <position><NL>

<position> ::= Y1 cursor position in NR3 format

- See Also**
- ["Introduction to :MARKer Commands"](#) on page 398
  - [":MARKer:MODE"](#) on page 399
  - [":MARKer:X1Y1source"](#) on page 401
  - [":MARKer:X2Y2source"](#) on page 403
  - [":MARKer:Y2Position"](#) on page 409
  - [":MARKer:YUNits"](#) on page 412
  - [":MEASure:VTIME"](#) on page 488
  - [":MARKer:X1Position"](#) on page 400

- **":MEASure:VSTArt"** on page 1113



## :MARKer:Y2Position

**N** (see [page 1172](#))

**Command Syntax** :MARKer:Y2Position <position> [suffix]

<position> ::= Y2 cursor position in NR3 format

<suffix> ::= {mV | V | dB}

If the :MARKer:MODE is not currently set to WAVEform (see [":MARKer:MODE"](#) on page 399), the :MARKer:Y2Position command:

- Sets :MARKer:MODE to MANual.
- Sets the Y2 cursor position to the specified value.

Y cursor units are set by the :MARKer:YUNits command.

When the :MARKer:MODE is set to WAVEform, Y positions cannot be set.

**Query Syntax** :MARKer:Y2Position?

The :MARKer:Y2Position? query returns current Y2 cursor position. This is functionally equivalent to the obsolete :MEASure:VSTOP command/query.

**NOTE**

When the waveform tracking markers mode is on (:MARKer:MODE WAVEform), use the :MEASure:VTIME? query to get the vertical value at a horizontal X position. A :MARKer:Y2Position? query immediately following a :MARKer:X2Position command (with no time delay between the command and query) will likely not return the tracked value because :MARKer:X2Position is an overlapping command.

**NOTE**

If the front-panel cursors are off or are set to Binary or Hex Mode, the marker position values are not defined and an error is generated. Make sure to set :MARKer:MODE to MANual or WAVEform to put the cursors in the front-panel Normal mode.

**Return Format** <position><NL>

<position> ::= Y2 cursor position in NR3 format

- See Also**
- ["Introduction to :MARKer Commands"](#) on page 398
  - [":MARKer:MODE"](#) on page 399
  - [":MARKer:X1Y1source"](#) on page 401
  - [":MARKer:X2Y2source"](#) on page 403
  - [":MARKer:Y1Position"](#) on page 407
  - [":MARKer:YUNits"](#) on page 412
  - [":MEASure:VTIME"](#) on page 488
  - [":MARKer:X2Position"](#) on page 402

- **":MEASure:VSTOp"** on page 1114

## :MARKer:YDELta

**N** (see [page 1172](#))

**Query Syntax** :MARKer:YDELta?

The :MARKer:YDELta? query returns the value difference between the current Y1 and Y2 cursor positions.

Ydelta = (Value at Y2 cursor) - (Value at Y1 cursor)

**NOTE**

If the front-panel cursors are off or are set to Binary or Hex Mode, the marker position values are not defined. Make sure to set :MARKer:MODE to MANual or WAVEform to put the cursors in the front-panel Normal mode.

Y cursor units are set by the :MARKer:YUNits command.

**Return Format** <value><NL>

<value> ::= difference value in NR3 format

- See Also**
- ["Introduction to :MARKer Commands"](#) on page 398
  - [":MARKer:MODE"](#) on page 399
  - [":MARKer:X1Y1source"](#) on page 401
  - [":MARKer:X2Y2source"](#) on page 403
  - [":MARKer:Y1Position"](#) on page 407
  - [":MARKer:Y2Position"](#) on page 409
  - [":MARKer:YUNits"](#) on page 412

## :MARKer:YUNits

**N** (see [page 1172](#))

**Command Syntax** :MARKer:YUNits <units>  
 <units> ::= {BASE | PERCent}

The :MARKer:YUNits command sets the Y cursors units:

- BASE – for making measurements in the units associated with the cursors source.
- PERCent – for making ratio measurements. Use the :MARKer:YUNits:USE command to set the current Y1 location as 0 percent and the current Y2 location as 100 percent.

Changing Y units affects the input and output values of the :MARKer:Y1Position, :MARKer:Y2Position, and :MARKer:YDELta commands/queries.

**Query Syntax** :MARKer:YUNits?

The :MARKer:YUNits? query returns the current Y cursors units.

**Return Format** <units><NL>  
 <units> ::= {BASE | PERC}

- See Also**
- ["Introduction to :MARKer Commands"](#) on page 398
  - [":MARKer:YUNits:USE"](#) on page 413
  - [":MARKer:X1Y1source"](#) on page 401
  - [":MARKer:X2Y2source"](#) on page 403
  - [":MEASure:SOURce"](#) on page 468
  - [":MARKer:Y1Position"](#) on page 407
  - [":MARKer:Y2Position"](#) on page 409
  - [":MARKer:YDELta"](#) on page 411

## :MARKer:YUNits:USE

**N** (see [page 1172](#))

**Command Syntax** :MARKer:YUNits:USE

When PERCent is selected for :MARKer:YUNits, the :MARKer:YUNits:USE command sets the current Y1 location as 0 percent and the current Y2 location as 100 percent.

Once the 0 and 100 percent locations are set, inputs to and outputs from the :MARKer:Y1Position, :MARKer:Y2Position, and :MARKer:YDELta commands/queries are relative to the set locations.

- See Also**
- ["Introduction to :MARKer Commands"](#) on page 398
  - [":MARKer:YUNits"](#) on page 412
  - [":MARKer:X1Y1source"](#) on page 401
  - [":MARKer:X2Y2source"](#) on page 403
  - [":MEASure:SOURce"](#) on page 468
  - [":MARKer:Y1Position"](#) on page 407
  - [":MARKer:Y2Position"](#) on page 409
  - [":MARKer:YDELta"](#) on page 411



## 20 :MEASure Commands

Select automatic measurements to be made and control time markers. See "[Introduction to :MEASure Commands](#)" on page 428.

**Table 93** :MEASure Commands Summary

Command	Query	Options and Query Returns
:MEASure:ALL (see <a href="#">page 430</a> )	n/a	n/a
:MEASure:AREa [<interval>] [,] [<source>] (see <a href="#">page 431</a> )	:MEASure:AREa? [<interval>] [,] [<source>] (see <a href="#">page 431</a> )	<interval> ::= {CYCLE   DISPLAY} <source> ::= {CHANNEL<n>   FUNCTION   MATH   WMemory<r>} <n> ::= 1 to (# analog channels) in NR1 format <r> ::= 1-2 in NR1 format <return_value> ::= area in volt-seconds, NR3 format
:MEASure:BRATe [<source>] (see <a href="#">page 432</a> )	:MEASure:BRATe? [<source>] (see <a href="#">page 432</a> )	<source> ::= {<digital channels>   CHANNEL<n>   FUNCTION   MATH   WMemory<r>} <digital channels> ::= DIGital<d> for the MSO models <d> ::= 0 to (# digital channels - 1) in NR1 format <n> ::= 1 to (# of analog channels) in NR1 format <r> ::= 1 to (# ref waveforms) in NR1 format <return_value> ::= bit rate in Hz, NR3 format

**Table 93** :MEASure Commands Summary (continued)

Command	Query	Options and Query Returns
:MEASure:BWIDth [<source>] (see page 433)	:MEASure:BWIDth? [<source>] (see page 433)	<source> ::= {CHANnel<n>   FUNction   MATH   WMEMory<r>} <n> ::= 1 to (# analog channels) in NR1 format <r> ::= 1-2 in NR1 format <return_value> ::= burst width in seconds, NR3 format
:MEASure:CLEAr (see page 434)	n/a	n/a
:MEASure:COUNter [<source>] (see page 435)	:MEASure:COUNter? [<source>] (see page 435)	<source> ::= {CHANnel<n>   EXTErnal} for DSO models <source> ::= {CHANnel<n>   DIGital<d>   EXTErnal} for MSO models <n> ::= 1 to (# analog channels) in NR1 format <d> ::= 0 to (# digital channels - 1) in NR1 format <return_value> ::= counter frequency in Hertz in NR3 format
:MEASure:DEFine DElay, <delay spec>[,<source>] (see page 436)	:MEASure:DEFine? DElay[,<source>] (see page 437)	<delay spec> ::= <edge_spec1>,<edge_spec2> edge_spec1 ::= [<slope>]<occurrence> edge_spec2 ::= [<slope>]<occurrence> <slope> ::= {+   -} <occurrence> ::= integer <source> ::= {CHANnel<n>   FUNction   MATH   WMEMory<r>}
:MEASure:DEFine THResholds, <threshold spec>[,<source>] (see page 436)	:MEASure:DEFine? THResholds[,<source>] (see page 437)	<threshold spec> ::= {STANdard}   {<threshold mode>,<upper>, <middle>,<lower>} <threshold mode> ::= {PERCent   ABSolute} <source> ::= {CHANnel<n>   FUNction   MATH   WMEMory<r>}



**Table 93** :MEASure Commands Summary (continued)

Command	Query	Options and Query Returns
:MEASure:DElay [<source1>] [,<source2>] (see page 439)	:MEASure:DElay? [<source1>] [,<source2>] (see page 439)	<source1,2> ::= {CHANnel<n>   FUNction   MATH   WMemory<r>}  <n> ::= 1 to (# analog channels) in NR1 format  <r> ::= 1-2 in NR1 format  <return_value> ::= floating-point number delay time in seconds in NR3 format
:MEASure:DUAL:CHARge [<interval>] [,<source1>] [,<source 2>] (see page 441)	:MEASure:DUAL:CHARge? [<interval>] [,<source1>] [,<source 2>] (see page 441)	<interval> ::= {CYCLe   DISPlay}  <source1>,<source2> ::= CHANnel<n> with N2820A probe connected  <n> ::= 1 to (# analog channels) in NR1 format  <return_value> ::= area in Amp-hours, NR3 format
:MEASure:DUAL:VAMplit ude [<source1>] [,<source2 >] (see page 442)	:MEASure:DUAL:VAMplit ude? [<source1>] [,<source2 >] (see page 442)	<source1>,<source2> ::= CHANnel<n> with N2820A probe connected  <n> ::= 1 to (# analog channels) in NR1 format  <return_value> ::= the amplitude of the selected waveform in volts in NR3 format
:MEASure:DUAL:VAVerag e [ <interval> ] [,<source1>] [,<source 2>] (see page 443)	:MEASure:DUAL:VAVerag e? [ <interval> ] [,<source1>] [,<source 2>] (see page 443)	<interval> ::= {CYCLe   DISPlay}  <source1>,<source2> ::= CHANnel<n> with N2820A probe connected  <n> ::= 1 to (# analog channels) in NR1 format  <return_value> ::= calculated average voltage in NR3 format
:MEASure:DUAL:VBASe [<source1>] [,<source2 >] (see page 444)	:MEASure:DUAL:VBASe? [<source1>] [,<source2 >] (see page 444)	<source1>,<source2> ::= CHANnel<n> with N2820A probe connected  <n> ::= 1 to (# analog channels) in NR1 format  <base_voltage> ::= voltage at the base of the selected waveform in NR3 format

**Table 93** :MEASure Commands Summary (continued)

Command	Query	Options and Query Returns
:MEASure:DUAL:VPP [<source1>] [, <source2>] >] (see <a href="#">page 445</a> )	:MEASure:DUAL:VPP? [<source1>] [, <source2>] >] (see <a href="#">page 445</a> )	<source1>, <source2> ::= CHANNEL<n> with N2820A probe connected  <n> ::= 1 to (# analog channels) in NR1 format  <return_value> ::= voltage peak-to-peak of the selected waveform in NR3 format
:MEASure:DUAL:VRMS [<interval>] [, <type>] [, <source1>] [, <source2>] >] (see <a href="#">page 446</a> )	:MEASure:DUAL:VRMS? [<interval>] [, <type>] [, <source1>] [, <source2>] >] (see <a href="#">page 446</a> )	<interval> ::= {CYCLE   DISPLAY}  <type> ::= {AC   DC}  <source1>, <source2> ::= CHANNEL<n> with N2820A probe connected  <n> ::= 1 to (# analog channels) in NR1 format  <return_value> ::= calculated RMS voltage in NR3 format
:MEASure:DUTYcycle [<source>] (see <a href="#">page 447</a> )	:MEASure:DUTYcycle? [<source>] (see <a href="#">page 447</a> )	<source> ::= {CHANNEL<n>   FUNCTION   MATH   WMemory<r>} for DSO models  <source> ::= {CHANNEL<n>   DIGital<d>   FUNCTION   MATH   WMemory<r>} for MSO models  <n> ::= 1 to (# analog channels) in NR1 format  <r> ::= 1-2 in NR1 format  <d> ::= 0 to (# digital channels - 1) in NR1 format  <return_value> ::= ratio of positive pulse width to period in NR3 format

**Table 93** :MEASure Commands Summary (continued)

Command	Query	Options and Query Returns
:MEASure:FALLtime [<source>] (see page 448)	:MEASure:FALLtime? [<source>] (see page 448)	<p>&lt;source&gt; ::= {CHANnel&lt;n&gt;   FUNCTION   MATH   WMEMory&lt;r&gt;} for DSO models</p> <p>&lt;source&gt; ::= {CHANnel&lt;n&gt;   DIGital&lt;d&gt;   FUNCTION   MATH   WMEMory&lt;r&gt;} for MSO models</p> <p>&lt;n&gt; ::= 1 to (# analog channels) in NR1 format</p> <p>&lt;r&gt; ::= 1-2 in NR1 format</p> <p>&lt;d&gt; ::= 0 to (# digital channels - 1) in NR1 format</p> <p>&lt;return_value&gt; ::= time in seconds between the lower and upper thresholds in NR3 format</p>
:MEASure:FREQuency [<source>] (see page 449)	:MEASure:FREQuency? [<source>] (see page 449)	<p>&lt;source&gt; ::= {CHANnel&lt;n&gt;   FUNCTION   MATH   WMEMory&lt;r&gt;} for DSO models</p> <p>&lt;source&gt; ::= {CHANnel&lt;n&gt;   DIGital&lt;d&gt;   FUNCTION   MATH   WMEMory&lt;r&gt;} for MSO models</p> <p>&lt;n&gt; ::= 1 to (# analog channels) in NR1 format</p> <p>&lt;r&gt; ::= 1-2 in NR1 format</p> <p>&lt;d&gt; ::= 0 to (# digital channels - 1) in NR1 format</p> <p>&lt;return_value&gt; ::= frequency in Hertz in NR3 format</p>

**Table 93** :MEASure Commands Summary (continued)

Command	Query	Options and Query Returns
:MEASure:NDUTy [<source>] (see page 450)	:MEASure:NDUTy? [<source>] (see page 450)	<p>&lt;source&gt; ::= {CHANnel&lt;n&gt;   FUNCTION   MATH   WMEMory&lt;r&gt;} for DSO models</p> <p>&lt;source&gt; ::= {CHANnel&lt;n&gt;   DIGital&lt;d&gt;   FUNCTION   MATH   WMEMory&lt;r&gt;} for MSO models</p> <p>&lt;n&gt; ::= 1 to (# analog channels) in NR1 format</p> <p>&lt;r&gt; ::= 1 to (# ref waveforms) in NR1 format</p> <p>&lt;d&gt; ::= 0 to (# digital channels - 1) in NR1 format</p> <p>&lt;return_value&gt; ::= ratio of negative pulse width to period in NR3 format</p>
:MEASure:NEDGes [<source>] (see page 451)	:MEASure:NEDGes? [<source>] (see page 451)	<p>&lt;source&gt; ::= {CHANnel&lt;n&gt;   FUNCTION   MATH   WMEMory&lt;r&gt;}</p> <p>&lt;n&gt; ::= 1 to (# analog channels) in NR1 format</p> <p>&lt;r&gt; ::= 1-2 in NR1 format</p> <p>&lt;return_value&gt; ::= the falling edge count in NR3 format</p>
:MEASure:NPULses [<source>] (see page 452)	:MEASure:NPULses? [<source>] (see page 452)	<p>&lt;source&gt; ::= {CHANnel&lt;n&gt;   FUNCTION   MATH   WMEMory&lt;r&gt;}</p> <p>&lt;n&gt; ::= 1 to (# analog channels) in NR1 format</p> <p>&lt;r&gt; ::= 1-2 in NR1 format</p> <p>&lt;return_value&gt; ::= the falling pulse count in NR3 format</p>

**Table 93** :MEASure Commands Summary (continued)

Command	Query	Options and Query Returns
:MEASure:NWIDth [<source>] (see page 453)	:MEASure:NWIDth? [<source>] (see page 453)	<p>&lt;source&gt; ::= {CHANnel&lt;n&gt;   FUNCTION   MATH   WMEMory&lt;r&gt;} for DSO models</p> <p>&lt;source&gt; ::= {CHANnel&lt;n&gt;   DIGital&lt;d&gt;   FUNCTION   MATH   WMEMory&lt;r&gt;} for MSO models</p> <p>&lt;n&gt; ::= 1 to (# analog channels) in NR1 format</p> <p>&lt;r&gt; ::= 1-2 in NR1 format</p> <p>&lt;d&gt; ::= 0 to (# digital channels - 1) in NR1 format</p> <p>&lt;return_value&gt; ::= negative pulse width in seconds-NR3 format</p>
:MEASure:OVERshoot [<source>] (see page 454)	:MEASure:OVERshoot? [<source>] (see page 454)	<p>&lt;source&gt; ::= {CHANnel&lt;n&gt;   FUNCTION   MATH   WMEMory&lt;r&gt;}</p> <p>&lt;n&gt; ::= 1 to (# analog channels) in NR1 format</p> <p>&lt;r&gt; ::= 1-2 in NR1 format</p> <p>&lt;return_value&gt; ::= the percent of the overshoot of the selected waveform in NR3 format</p>
:MEASure:PEDGes [<source>] (see page 456)	:MEASure:PEDGes? [<source>] (see page 456)	<p>&lt;source&gt; ::= {CHANnel&lt;n&gt;   FUNCTION   MATH   WMEMory&lt;r&gt;}</p> <p>&lt;n&gt; ::= 1 to (# analog channels) in NR1 format</p> <p>&lt;r&gt; ::= 1-2 in NR1 format</p> <p>&lt;return_value&gt; ::= the rising edge count in NR3 format</p>

**Table 93** :MEASure Commands Summary (continued)

Command	Query	Options and Query Returns
:MEASure:PERiod [<source>] (see page 457)	:MEASure:PERiod? [<source>] (see page 457)	<source> ::= {CHANnel<n>   FUNctIon   MATH   WMEMory<r>} for DSO models  <source> ::= {CHANnel<n>   DIGital<d>   FUNctIon   MATH   WMEMory<r>} for MSO models  <n> ::= 1 to (# analog channels) in NR1 format  <r> ::= 1-2 in NR1 format  <d> ::= 0 to (# digital channels - 1) in NR1 format  <return_value> ::= waveform period in seconds in NR3 format
:MEASure:PHASe [<source1>] [,<source2>] (see page 458)	:MEASure:PHASe? [<source1>] [,<source2>] (see page 458)	<source1,2> ::= {CHANnel<n>   FUNctIon   MATH   WMEMory<r>}  <n> ::= 1 to (# analog channels) in NR1 format  <r> ::= 1-2 in NR1 format  <return_value> ::= the phase angle value in degrees in NR3 format
:MEASure:PPULses [<source>] (see page 459)	:MEASure:PPULses? [<source>] (see page 459)	<source> ::= {CHANnel<n>   FUNctIon   MATH   WMEMory<r>}  <n> ::= 1 to (# analog channels) in NR1 format  <r> ::= 1-2 in NR1 format  <return_value> ::= the rising pulse count in NR3 format
:MEASure:PREShoot [<source>] (see page 460)	:MEASure:PREShoot? [<source>] (see page 460)	<source> ::= {CHANnel<n>   FUNctIon   MATH   WMEMory<r>}  <n> ::= 1 to (# analog channels) in NR1 format  <r> ::= 1-2 in NR1 format  <return_value> ::= the percent of preshoot of the selected waveform in NR3 format

**Table 93** :MEASure Commands Summary (continued)

Command	Query	Options and Query Returns
:MEASure:PWIDth [<source>] (see page 461)	:MEASure:PWIDth? [<source>] (see page 461)	<source> ::= {CHANnel<n>   FUNction   MATH   WMEMory<r>} for DSO models  <source> ::= {CHANnel<n>   DIGital<d>   FUNction   MATH   WMEMory<r>} for MSO models  <n> ::= 1 to (# analog channels) in NR1 format  <r> ::= 1-2 in NR1 format  <d> ::= 0 to (# digital channels - 1) in NR1 format  <return_value> ::= width of positive pulse in seconds in NR3 format
n/a	:MEASure:RESults? <result_list> (see page 462)	<result_list> ::= comma-separated list of measurement results
:MEASure:RISetime [<source>] (see page 465)	:MEASure:RISetime? [<source>] (see page 465)	<source> ::= {CHANnel<n>   FUNction   MATH   WMEMory<r>}  <n> ::= 1 to (# analog channels) in NR1 format  <r> ::= 1-2 in NR1 format  <return_value> ::= rise time in seconds in NR3 format
:MEASure:SDEviation [<source>] (see page 466)	:MEASure:SDEviation? [<source>] (see page 466)	<source> ::= {CHANnel<n>   FUNction   MATH   WMEMory<r>}  <n> ::= 1 to (# analog channels) in NR1 format  <r> ::= 1-2 in NR1 format  <return_value> ::= calculated std deviation in NR3 format
:MEASure:SHOW {1   ON} (see page 467)	:MEASure:SHOW? (see page 467)	{1}

**Table 93** :MEASure Commands Summary (continued)

Command	Query	Options and Query Returns
:MEASure:SOURce <source1> [,<source2>] (see page 468)	:MEASure:SOURce? (see page 468)	<source1,2> ::= {CHANnel<n>   FUNctIon   MATH   WMEemory<r>   EXTernal} for DSO models  <source1,2> ::= {CHANnel<n>   DIGital<d>   FUNctIon   MATH   WMEemory<r>   EXTernal} for MSO models  <n> ::= 1 to (# analog channels) in NR1 format  <r> ::= 1-2 in NR1 format  <d> ::= 0 to (# digital channels - 1) in NR1 format  <return_value> ::= {<source>   NONE}
:MEASure:STATistics <type> (see page 470)	:MEASure:STATistics? (see page 470)	<type> ::= {{ON   1}   CURrent   MEAN   MINimum   MAXimum   STDDev   COUNT}  ON ::= all statistics returned
:MEASure:STATistics:D ISPlay {{0   OFF}   {1   ON}} (see page 471)	:MEASure:STATistics:D ISPlay? (see page 471)	{0   1}
:MEASure:STATistics:I NCRement (see page 472)	n/a	n/a
:MEASure:STATistics:M COunt <setting> (see page 473)	:MEASure:STATistics:M COunt? (see page 473)	<setting> ::= {INFinite   <count>}  <count> ::= 2 to 2000 in NR1 format
:MEASure:STATistics:R ESet (see page 474)	n/a	n/a
:MEASure:STATistics:R SDeviation {{0   OFF}   {1   ON}} (see page 475)	:MEASure:STATistics:R SDeviation? (see page 475)	{0   1}



**Table 93** :MEASure Commands Summary (continued)

Command	Query	Options and Query Returns
n/a	:MEASure:TEDGE? <slope><occurrence>[, <source>] (see page 476)	<p>&lt;slope&gt; ::= direction of the waveform</p> <p>&lt;occurrence&gt; ::= the transition to be reported</p> <p>&lt;source&gt; ::= {CHANnel&lt;n&gt;   FUNCTION   MATH   WMEMory&lt;r&gt;} for DSO models</p> <p>&lt;source&gt; ::= {CHANnel&lt;n&gt;   DIGital&lt;d&gt;   FUNCTION   MATH   WMEMory&lt;r&gt;} for MSO models</p> <p>&lt;n&gt; ::= 1 to (# analog channels) in NR1 format</p> <p>&lt;r&gt; ::= 1-2 in NR1 format</p> <p>&lt;d&gt; ::= 0 to (# digital channels - 1) in NR1 format</p> <p>&lt;return_value&gt; ::= time in seconds of the specified transition</p>
n/a	:MEASure:TVALue? <value>, [<slope>]<occurrence> [,<source>] (see page 478)	<p>&lt;value&gt; ::= voltage level that the waveform must cross.</p> <p>&lt;slope&gt; ::= direction of the waveform when &lt;value&gt; is crossed.</p> <p>&lt;occurrence&gt; ::= transitions reported.</p> <p>&lt;source&gt; ::= {CHANnel&lt;n&gt;   FUNCTION   MATH   WMEMory&lt;r&gt;} for DSO models</p> <p>&lt;source&gt; ::= {CHANnel&lt;n&gt;   DIGital&lt;d&gt;   FUNCTION   MATH   WMEMory&lt;r&gt;} for MSO models</p> <p>&lt;n&gt; ::= 1 to (# analog channels) in NR1 format</p> <p>&lt;r&gt; ::= 1-2 in NR1 format</p> <p>&lt;d&gt; ::= 0 to (# digital channels - 1) in NR1 format</p> <p>&lt;return_value&gt; ::= time in seconds of specified voltage crossing in NR3 format</p>

**Table 93** :MEASure Commands Summary (continued)

Command	Query	Options and Query Returns
:MEASure:VAMplitude [<source>] (see page 480)	:MEASure:VAMplitude? [<source>] (see page 480)	<source> ::= {CHANnel<n>   FUNction   MATH   WMEMory<r>} <n> ::= 1 to (# analog channels) in NR1 format <r> ::= 1-2 in NR1 format <return_value> ::= the amplitude of the selected waveform in volts in NR3 format
:MEASure:VAverage [<interval>][,][<source>] (see page 481)	:MEASure:VAverage? [<interval>][,][<source>] (see page 481)	<interval> ::= {CYCLE   DISPLAY} <source> ::= {CHANnel<n>   FUNction   MATH   WMEMory<r>} <n> ::= 1 to (# analog channels) in NR1 format <r> ::= 1-2 in NR1 format <return_value> ::= calculated average voltage in NR3 format
:MEASure:VBASe [<source>] (see page 482)	:MEASure:VBASe? [<source>] (see page 482)	<source> ::= {CHANnel<n>   FUNction   MATH   WMEMory<r>} <n> ::= 1 to (# analog channels) in NR1 format <r> ::= 1-2 in NR1 format <base_voltage> ::= voltage at the base of the selected waveform in NR3 format
:MEASure:VMAX [<source>] (see page 483)	:MEASure:VMAX? [<source>] (see page 483)	<source> ::= {CHANnel<n>   FUNction   MATH   WMEMory<r>} <n> ::= 1 to (# analog channels) in NR1 format <r> ::= 1-2 in NR1 format <return_value> ::= maximum voltage of the selected waveform in NR3 format
:MEASure:VMIN [<source>] (see page 484)	:MEASure:VMIN? [<source>] (see page 484)	<source> ::= {CHANnel<n>   FUNction   MATH   WMEMory<r>} <n> ::= 1 to (# analog channels) in NR1 format <r> ::= 1-2 in NR1 format <return_value> ::= minimum voltage of the selected waveform in NR3 format

**Table 93** :MEASure Commands Summary (continued)

Command	Query	Options and Query Returns
:MEASure:VPP [<source>] (see page 485)	:MEASure:VPP? [<source>] (see page 485)	<source> ::= {CHANnel<n>   FUNction   MATH   WMEMory<r>} <n> ::= 1 to (# analog channels) in NR1 format <r> ::= 1-2 in NR1 format <return_value> ::= voltage peak-to-peak of the selected waveform in NR3 format
:MEASure:VRATio [<interval>] [,] [<sour cel>] [, <source2>] (see page 486)	:MEASure:VRATio? [<interval>] [,] [<sour cel>] [, <source2>] (see page 486)	<interval> ::= {CYCLe   DISPlay} <source1,2> ::= {CHANnel<n>   FUNction   MATH   WMEMory<r>} <n> ::= 1 to (# analog channels) in NR1 format <r> ::= 1-2 in NR1 format <return_value> ::= the ratio value in dB in NR3 format
:MEASure:VRMS [<interval>] [,] [<type>] [,] [<source>] (see page 487)	:MEASure:VRMS? [<interval>] [,] [<type>] [,] [<source>] (see page 487)	<interval> ::= {CYCLe   DISPlay} <type> ::= {AC   DC} <source> ::= {CHANnel<n>   FUNction   MATH   WMEMory<r>} <n> ::= 1 to (# analog channels) in NR1 format <r> ::= 1-2 in NR1 format <return_value> ::= calculated dc RMS voltage in NR3 format
n/a	:MEASure:VTime? <vtime> [, <source>] (see page 488)	<vtime> ::= displayed time from trigger in seconds in NR3 format <source> ::= {CHANnel<n>   FUNction   MATH   WMEMory<r>} for DSO models <source> ::= {CHANnel<n>   DIGital<d>   FUNction   MATH   WMEMory<r>} for MSO models <n> ::= 1 to (# analog channels) in NR1 format <r> ::= 1-2 in NR1 format <d> ::= 0 to (# digital channels - 1) in NR1 format <return_value> ::= voltage at the specified time in NR3 format

**Table 93** :MEASure Commands Summary (continued)

Command	Query	Options and Query Returns
:MEASure:VTOP [<source>] (see page 489)	:MEASure:VTOP? [<source>] (see page 489)	<source> ::= {CHANnel<n>   FUNctIon   MATH   WMEMory<r>} <n> ::= 1 to (# analog channels) in NR1 format <r> ::= 1-2 in NR1 format <return_value> ::= voltage at the top of the waveform in NR3 format
:MEASure:WINDow <type> (see page 490)	:MEASure:WINDow? (see page 490)	<type> ::= {MAIN   ZOOM   AUTO}
:MEASure:XMAX [<source>] (see page 491)	:MEASure:XMAX? [<source>] (see page 491)	<source> ::= {CHANnel<n>   FUNctIon   MATH   WMEMory<r>} <n> ::= 1 to (# analog channels) in NR1 format <r> ::= 1-2 in NR1 format <return_value> ::= horizontal value of the maximum in NR3 format
:MEASure:XMIN [<source>] (see page 492)	:MEASure:XMIN? [<source>] (see page 492)	<source> ::= {CHANnel<n>   FUNctIon   MATH   WMEMory<r>} <n> ::= 1 to (# analog channels) in NR1 format <r> ::= 1-2 in NR1 format <return_value> ::= horizontal value of the maximum in NR3 format

### Introduction to :MEASure Commands

The commands in the MEASure subsystem are used to make parametric measurements on displayed waveforms.

#### Measurement Setup

To make a measurement, the portion of the waveform required for that measurement must be displayed on the oscilloscope screen.

Measurement Type	Portion of waveform that must be displayed
period, duty cycle, or frequency	at least one complete cycle
pulse width	the entire pulse
rise time	rising edge, top and bottom of pulse
fall time	falling edge, top and bottom of pulse

### Measurement Error

If a measurement cannot be made (typically because the proper portion of the waveform is not displayed), the value +9.9E+37 is returned for that measurement.

### Making Measurements

If more than one waveform, edge, or pulse is displayed, time measurements are made on the portion of the displayed waveform closest to the trigger reference (left, center, or right).

When making measurements in the zoomed (delayed) time base mode (:TIMEbase:MODE WINDow), the oscilloscope will attempt to make the measurement inside the zoomed sweep window. If the measurement is an average and there are not three edges, the oscilloscope will revert to the mode of making the measurement at the start of the main sweep.

When the command form is used, the measurement result is displayed on the instrument. When the query form of these measurements is used, the measurement is made one time, and the measurement result is returned over the bus.

Measurements are made on the displayed waveforms specified by the :MEASure:SOURce command. The MATH source is an alias for the FUNCtion source.

Not all measurements are available on the digital channels or FFT (Fast Fourier Transform).

### Reporting the Setup

Use the :MEASure? query to obtain setup information for the MEASure subsystem. (Currently, this is only :MEASure:SOURce.)

### Return Format

The following is a sample response from the :MEASure? query. In this case, the query was issued following a \*RST command.

```
:MEAS:SOUR CHAN1,CHAN2;STAT ON
```

## :MEASure:ALL

**N** (see [page 1172](#))

**Command Syntax** :MEASure:ALL

This command installs a Snapshot All measurement on the screen.

**See Also** · ["Introduction to :MEASure Commands"](#) on page 428

## :MEASure:AREa

**N** (see [page 1172](#))

**Command Syntax** :MEASure:AREa [<interval>][,]<source>  
 <interval> ::= {CYCLe | DISPlay}  
 <source> ::= {CHANnel<n> | FUNCTION | MATH | WMEMory<r>}  
 <n> ::= 1 to (# analog channels) in NR1 format  
 <r> ::= 1-2 in NR1 format

The :MEASure:AREa command installs an area measurement on screen. Area measurements show the area between the waveform and the ground level.

The <interval> option lets you specify the measurement interval: either an integral number of cycles, or the full screen. If <interval> is not specified, DISPlay is implied.

**NOTE**

This command is not available if the source is FFT (Fast Fourier Transform).

**Query Syntax** :MEASure:AREa? [<interval>][,]<source>

The :MEASure:AREa? query measures and returns the area value.

**Return Format** <value><NL>  
 <value> ::= the area value in volt-seconds in NR3 format

- See Also**
- ["Introduction to :MEASure Commands"](#) on page 428
  - [":MEASure:SOURce"](#) on page 468

## :MEASure:BRATe

**N** (see [page 1172](#))

**Command Syntax** :MEASure:BRATe [<source>]  
 <source> ::= {CHANnel<n> | FUNction | MATH | WMEMory<r>}  
 <n> ::= 1 to (# of analog channels) in NR1 format  
 <r> ::= 1 to (# ref waveforms) in NR1 format

The :MEASure:BRATe command installs a screen measurement and starts the bit rate measurement. If the optional source parameter is specified, the currently specified source is modified.

**NOTE**

This command is not available if the source is FFT (Fast Fourier Transform).

**Query Syntax** :MEASure:BRATe? [<source>]

The :MEASure:BRATe? query measures all positive and negative pulse widths on the waveform, takes the minimum value found of either width type and inverts that minimum width to give a value in Hertz.

**Return Format** <value><NL>  
 <value> ::= the bit rate value in Hertz

- See Also**
- ["Introduction to :MEASure Commands"](#) on page 428
  - [":MEASure:SOURce"](#) on page 468
  - [":MEASure:FREQuency"](#) on page 449
  - [":MEASure:PERiod"](#) on page 457



## :MEASure:BWIDth

**N** (see [page 1172](#))

**Command Syntax** :MEASure:BWIDth [<source>]  
 <source> ::= {CHANnel<n> | FUNction | MATH | WMEMory<r>}  
 <n> ::= 1 to (# analog channels) in NR1 format  
 <r> ::= 1-2 in NR1 format

The :MEASure:BWIDth command installs a burst width measurement on screen. If the optional source parameter is not specified, the current measurement source is used.

**NOTE**

This command is not available if the source is FFT (Fast Fourier Transform).

**Query Syntax** :MEASure:BWIDth? [<source>]

The :MEASure:BWIDth? query measures and returns the width of the burst on the screen.

The burst width is calculated as follows:

$$\text{burst width} = (\text{last edge on screen} - \text{first edge on screen})$$

**Return Format** <value><NL>  
 <value> ::= burst width in seconds in NR3 format

- See Also**
- ["Introduction to :MEASure Commands"](#) on page 428
  - [":MEASure:SOURce"](#) on page 468

## :MEASure:CLEar

**N** (see [page 1172](#))

**Command Syntax** :MEASure:CLEar

This command clears all selected measurements and markers from the screen.

**See Also** · ["Introduction to :MEASure Commands"](#) on page 428

## :MEASure:COUNter

**N** (see [page 1172](#))

**Command Syntax** :MEASure:COUNter [<source>]  
 <source> ::= {<digital channels> | CHANnel<n> | EXTernal}  
 <digital channels> ::= DIGital<d> for the MSO models  
 <n> ::= 1 to (# analog channels) in NR1 format  
 <d> ::= 0 to (# digital channels - 1) in NR1 format

The :MEASure:COUNter command installs a screen measurement and starts a counter measurement. If the optional source parameter is specified, the current source is modified. Any channel except Math may be selected for the source.

The counter measurement counts trigger level crossings at the selected trigger slope and displays the results in Hz. The gate time for the measurement is automatically adjusted to be 100 ms or twice the current time window, whichever is longer, up to 1 second. The counter measurement can measure frequencies up to 125 MHz. The minimum frequency supported is 1/(2 X gate time).

The Y cursor shows the the edge threshold level used in the measurement.

Only one counter measurement may be displayed at a time.

**NOTE**

This command is not available if the source is MATH.

**Query Syntax** :MEASure:COUNter? [<source>]

The :MEASure:COUNter? query measures and outputs the counter frequency of the specified source.

**NOTE**

The :MEASure:COUNter? query times out if the counter measurement is installed on the front panel. Use :MEASure:CLEar to remove the front-panel measurement before executing the :MEASure:COUNter? query.

**Return Format** <source><NL>  
 <source> ::= count in Hertz in NR3 format

- See Also**
- ["Introduction to :MEASure Commands"](#) on page 428
  - [":MEASure:SOURce"](#) on page 468
  - [":MEASure:FREQuency"](#) on page 449
  - [":MEASure:CLEar"](#) on page 434

## :MEASure:DEFine

**N** (see [page 1172](#))

**Command Syntax** :MEASure:DEFine <meas\_spec>[,<source>]  
 <meas\_spec> ::= {DELay | THResholds}  
 <source> ::= {CHANnel<n> | FUNCTION | MATH | WMemory<r>}  
 <n> ::= 1 to (# analog channels) in NR1 format  
 <r> ::= {1 | 2}

The :MEASure:DEFine command sets up the definition for measurements by specifying the delta time or threshold values. Changing these values may affect the results of other measure commands. The table below identifies which measurement results that can be affected by redefining the DELay specification or the THResholds values. For example, changing the THResholds definition from the default 10%, 50%, and 90% values may change the returned measurement result.

MEASure Command	DELay	THResholds
DUTYcycle		X
DELay	X	X
FALLtime		X
FREQuency		X
NWIDth		X
OVERshoot		X
PERiod		X
PHASe		X
PREShoot		X
PWIDth		X
RISetime		X
VAVerage		X
VRMS		X

**:MEASure:DEFine DELay Command Syntax**  
 :MEASure:DEFine DELay,<delay\_spec>[,<source>]  
 <delay\_spec> ::= <edge\_spec1>,<edge\_spec2>  
 <edge\_spec1> ::= [<slope>]<occurrence>  
 <edge\_spec2> ::= [<slope>]<occurrence>  
 <slope> ::= {+ | -}

<occurrence> ::= integer

This command defines the behavior of the :MEASure:DElay? query by specifying the start and stop edge to be used. <edge\_spec1> specifies the slope and edge number on source1. <edge\_spec2> specifies the slope and edge number on source2. The measurement is taken as:

delay = t(<edge\_spec2>) - t(<edge\_spec1>)

#### NOTE

The :MEASure:DElay command and the front-panel delay measurement use an auto-edge selection method to determine the actual edge used for the measurement. The :MEASure:DEfine command has no effect on these delay measurements. The edges specified by the :MEASure:DEfine command only define the edges used by the :MEASure:DElay? query.

#### :MEASure:DEfine THResholds Command Syntax

:MEASure:DEfine THResholds, <threshold spec>[, <source>]

<threshold spec> ::= {STANdard  
| {<threshold mode>, <upper>, <middle>, <lower>}}

<threshold mode> ::= {PERCent | ABSolute}

for <threshold mode> = PERCent:

<upper>, <middle>, <lower> ::= A number specifying the upper, middle, and lower threshold percentage values between Vbase and Vtop in NR3 format.

for <threshold mode> = ABSolute:

<upper>, <middle>, <lower> ::= A number specifying the upper, middle, and lower threshold absolute values in NR3 format.

- STANdard threshold specification sets the lower, middle, and upper measurement thresholds to 10%, 50%, and 90% values between Vbase and Vtop.
- Threshold mode PERCent sets the measurement thresholds to any user-defined percentages between 5% and 95% of values between Vbase and Vtop.
- Threshold mode ABSolute sets the measurement thresholds to absolute values. ABSolute thresholds are dependent on channel scaling (:CHANnel<n>:RANGe or ":CHANnel<n>:SCALe" on page 292:CHANnel<n>:SCALe), probe attenuation (:CHANnel<n>:PROBe), and probe units (:CHANnel<n>:UNITs). Always set these values first before setting ABSolute thresholds.

#### Query Syntax

:MEASure:DEfine? <meas\_spec>[, <source>]

<meas\_spec> ::= {DElay | THResholds}

The :MEASure:DEfine? query returns the current edge specification for the delay measurements setup or the current specification for the thresholds setup.

#### Return Format

for <meas\_spec> = DElay:

```
{ <edge_spec1> | <edge_spec2> | <edge_spec1>,<edge_spec2>} <NL>
```

for <meas\_spec> = THResholds and <threshold mode> = PERCent:

```
THR,PERC,<upper>,<middle>,<lower><NL>
```

<upper>, <middle>, <lower> ::= A number specifying the upper, middle, and lower threshold percentage values between Vbase and Vtop in NR3 format.

for <meas\_spec> = THResholds and <threshold mode> = ABSolute:

```
THR,ABS,<upper>,<middle>,<lower><NL>
```

<upper>, <middle>, <lower> ::= A number specifying the upper, middle, and lower threshold voltages in NR3 format.

for <threshold spec> = STANdard:

```
THR,PERC,+90.0,+50.0,+10.0
```

- See Also**
- ["Introduction to :MEASure Commands"](#) on page 428
  - [":MEASure:DELAy"](#) on page 439
  - [":MEASure:SOURce"](#) on page 468
  - [":CHANnel<n>:RANGE"](#) on page 291
  - [":CHANnel<n>:SCALE"](#) on page 292
  - [":CHANnel<n>:PROBe"](#) on page 284
  - [":CHANnel<n>:UNITs"](#) on page 293

## :MEASure:DELAy

**N** (see [page 1172](#))

**Command Syntax** :MEASure:DELAy [<source1>] [,<source2>]  
 <source1>, <source2> ::= {CHANnel<n> | FUNction | MATH | WMEMory<r>}  
 <n> ::= 1 to (# analog channels) in NR1 format  
 <r> ::= 1-2 in NR1 format

The :MEASure:DELAy command places the instrument in the continuous measurement mode and starts a delay measurement.

The measurement is taken as:

$$\text{delay} = t(\text{<edge spec 2>}) - t(\text{<edge spec 1>})$$

where the <edge spec> definitions are set by the :MEASure:DEFine command

**NOTE**

The :MEASure:DELAy command and the front-panel delay measurement differ from the :MEASure:DELAy? query.

The delay command or front-panel measurement run the delay measurement in auto-edge select mode. In this mode, you can select the edge polarity, but the instrument will select the edges that will make the best possible delay measurement. The source1 edge chosen will be the edge that meets the polarity specified and is closest to the timebase reference point. The source2 edge selected will be that edge of the specified polarity that gives the first of the following criteria:

- The smallest positive delay value that is less than source1 period.
- The smallest negative delay that is less than source1 period.
- The smallest absolute value of delay.

The :MEASure:DELAy? query will make the measurement using the edges specified by the :MEASure:DEFine command.

---

**Query Syntax** :MEASure:DELAy? [<source1>] [,<source2>]

The :MEASure:DELAy? query measures and returns the delay between source1 and source2. The delay measurement is made from the user-defined slope and edge count of the signal connected to source1, to the defined slope and edge count of the signal connected to source2. Delay measurement slope and edge parameters are selected using the :MEASure:DEFine command.

Also in the :MEASure:DEFine command, you can set upper, middle, and lower threshold values. *It is the middle threshold value that is used when performing the delay query.* The standard upper, middle, and lower measurement thresholds are

90%, 50%, and 10% values between Vbase and Vtop. If you want to move the delay measurement point nearer to Vtop or Vbase, you must change the threshold values with the :MEASure:DEFine THResholds command.

**Return Format** <value><NL>

<value> ::= floating-point number delay time in seconds in NR3 format

- See Also**
- ["Introduction to :MEASure Commands"](#) on page 428
  - [":MEASure:DEFine"](#) on page 436
  - [":MEASure:PHASe"](#) on page 458



## :MEASure:DUAL:CHARge

**N** (see [page 1172](#))

**Overview** This measurement is available with the N2820A high sensitivity current probe when both the Primary and Secondary probe cables are used. This measurement joins the Zoom In waveform data below the probe's clamp level with Zoom Out waveform data above the probe's clamp level to create the waveform on which the measurement is made.

**Command Syntax** :MEASure:DUAL:CHARge [<interval>] [, <source1>] [, <source2>]  
 <interval> ::= {CYCLe | DISPlay}  
 <source1>, <source2> ::= CHANnel<n> with N2820A probe connected  
 <n> ::= 1 to (# analog channels) in NR1 format

The :MEASure:DUAL:CHARge command installs a charge measurement on screen. Charge measurements show the area between the waveform and the ground level.

The <interval> option lets you specify the measurement interval: either an integral number of cycles, or the full screen. If <interval> is not specified, DISPlay is implied.

If the optional source parameter(s) are specified, the currently specified source(s) are modified.

**Query Syntax** :MEASure:DUAL:CHARge? [<interval>] [, <source1>] [, <source2>]

The :MEASure:DUAL:CHARge? query measures and returns the charge measurement value.

**Return Format** <value><NL>  
 <value> ::= the charge value in Amp-hours in NR3 format

- See Also**
- [":MEASure:DUAL:VAMPLitude"](#) on page 442
  - [":MEASure:DUAL:VAverage"](#) on page 443
  - [":MEASure:DUAL:VBASe"](#) on page 444
  - [":MEASure:DUAL:VPP"](#) on page 445
  - [":MEASure:DUAL:VRMS"](#) on page 446
  - ["Introduction to :MEASure Commands"](#) on page 428
  - [":MEASure:SOURce"](#) on page 468

**:MEASure:DUAL:VAMPlitude**

**N** (see [page 1172](#))

**Overview** This measurement is available with the N2820A high sensitivity current probe when both the Primary and Secondary probe cables are used. This measurement joins the Zoom In waveform data below the probe's clamp level with Zoom Out waveform data above the probe's clamp level to create the waveform on which the measurement is made.

**Command Syntax** `:MEASure:DUAL:VAMPlitude [<source1>] [,<source2>]`  
`<source1>,<source2> ::= CHANnel<n> with N2820A probe connected`  
`<n> ::= 1 to (# analog channels) in NR1 format`

The `:MEASure:DUAL:VAMPlitude` command installs a screen measurement and starts a vertical amplitude measurement.

If the optional source parameter(s) are specified, the currently specified source(s) are modified.

**Query Syntax** `:MEASure:DUAL:VAMPlitude? [<source1>] [,<source2>]`

The `:MEASure:DUAL:VAMPlitude?` query measures and returns the vertical amplitude of the waveform. To determine the amplitude, the instrument measures Vtop and Vbase, then calculates the amplitude as follows:

$$\text{vertical amplitude} = V_{\text{top}} - V_{\text{base}}$$

**Return Format** `<value><NL>`  
`<value> ::= the amplitude of the selected waveform in NR3 format`

- See Also**
- [":MEASure:DUAL:CHARge"](#) on page 441
  - [":MEASure:DUAL:VAverage"](#) on page 443
  - [":MEASure:DUAL:VBASe"](#) on page 444
  - [":MEASure:DUAL:VPP"](#) on page 445
  - [":MEASure:DUAL:VRMS"](#) on page 446
  - ["Introduction to :MEASure Commands"](#) on page 428
  - [":MEASure:SOURce"](#) on page 468
  - [":MEASure:VTOP"](#) on page 489

## :MEASure:DUAL:VAverage

**N** (see [page 1172](#))

**Overview** This measurement is available with the N2820A high sensitivity current probe when both the Primary and Secondary probe cables are used. This measurement joins the Zoom In waveform data below the probe's clamp level with Zoom Out waveform data above the probe's clamp level to create the waveform on which the measurement is made.

**Command Syntax** :MEASure:DUAL:VAverage [<interval>] [,<source1>] [,<source2>]  
 <interval> ::= {CYCLe | DISPlay}  
 <source1>,<source2> ::= CHANnel<n> with N2820A probe connected  
 <n> ::= 1 to (# analog channels) in NR1 format

The :MEASure:DUAL:VAverage command installs a screen measurement and starts an average value measurement.

The <interval> option lets you specify the measurement interval: either an integral number of cycles, or the full screen. If <interval> is not specified, DISPlay is implied.

If the optional source parameter(s) are specified, the currently specified source(s) are modified.

**Query Syntax** :MEASure:DUAL:VAverage? [<interval>] [,<source1>] [,<source2>]

The :MEASure:DUAL:VAverage? query returns the average value measurement.

**Return Format** <value><NL>  
 <value> ::= calculated average value in NR3 format

- See Also**
- [":MEASure:DUAL:CHARge"](#) on page 441
  - [":MEASure:DUAL:VAMPLitude"](#) on page 442
  - [":MEASure:DUAL:VBASe"](#) on page 444
  - [":MEASure:DUAL:VPP"](#) on page 445
  - [":MEASure:DUAL:VRMS"](#) on page 446
  - ["Introduction to :MEASure Commands"](#) on page 428
  - [":MEASure:SOURce"](#) on page 468

## :MEASure:DUAL:VBASe

**N** (see [page 1172](#))

**Overview** This measurement is available with the N2820A high sensitivity current probe when both the Primary and Secondary probe cables are used. This measurement joins the Zoom In waveform data below the probe's clamp level with Zoom Out waveform data above the probe's clamp level to create the waveform on which the measurement is made.

**Command Syntax** :MEASure:DUAL:VBASe [<source1>] [,<source2>]

<source1>,<source2> ::= CHANnel<n> with N2820A probe connected

<n> ::= 1 to (# analog channels) in NR1 format

The :MEASure:DUAL:VBASe command installs a screen measurement and starts a waveform base value measurement.

If the optional source parameter(s) are specified, the currently specified source(s) are modified.

**Query Syntax** :MEASure:DUAL:VBASe? [<source1>] [,<source2>]

The :MEASure:DUAL:VBASe? query returns the vertical value at the base of the waveform. The base value of a pulse is normally not the same as the minimum value.

**Return Format** <base\_voltage><NL>

<base\_voltage> ::= value at the base of the selected waveform in NR3 format

- See Also**
- [":MEASure:DUAL:CHARge"](#) on page 441
  - [":MEASure:DUAL:VAMPLitude"](#) on page 442
  - [":MEASure:DUAL:VAverage"](#) on page 443
  - [":MEASure:DUAL:VPP"](#) on page 445
  - [":MEASure:DUAL:VRMS"](#) on page 446
  - ["Introduction to :MEASure Commands"](#) on page 428
  - [":MEASure:SOURce"](#) on page 468
  - [":MEASure:VTOP"](#) on page 489
  - [":MEASure:VMIN"](#) on page 484

## :MEASure:DUAL:VPP

**N** (see [page 1172](#))

**Overview** This measurement is available with the N2820A high sensitivity current probe when both the Primary and Secondary probe cables are used. This measurement joins the Zoom In waveform data below the probe's clamp level with Zoom Out waveform data above the probe's clamp level to create the waveform on which the measurement is made.

**Command Syntax** :MEASure:DUAL:VPP [<source1>] [,<source2>]  
 <source1>,<source2> ::= CHANnel<n> with N2820A probe connected  
 <n> ::= 1 to (# analog channels) in NR1 format

The :MEASure:DUAL:VPP command installs a screen measurement and starts a vertical peak-to-peak measurement.

If the optional source parameter(s) are specified, the currently specified source(s) are modified.

**Query Syntax** :MEASure:DUAL:VPP? [<source1>] [,<source2>]

The :MEASure:DUAL:VPP? query measures the maximum and minimum vertical value for the selected source, then calculates the vertical peak-to-peak value and returns that value. The peak-to-peak value (Vpp) is calculated with the following formula:

$$V_{pp} = V_{max} - V_{min}$$

Vmax and Vmin are the vertical maximum and minimum values present on the selected source.

**Return Format** <value><NL>  
 <value> ::= vertical peak to peak value in NR3 format

- See Also**
- [":MEASure:DUAL:CHARge"](#) on page 441
  - [":MEASure:DUAL:VAMplitude"](#) on page 442
  - [":MEASure:DUAL:VAverage"](#) on page 443
  - [":MEASure:DUAL:VBASe"](#) on page 444
  - [":MEASure:DUAL:VRMS"](#) on page 446
  - ["Introduction to :MEASure Commands"](#) on page 428
  - [":MEASure:SOURce"](#) on page 468
  - [":MEASure:VMAX"](#) on page 483
  - [":MEASure:VMIN"](#) on page 484

## :MEASure:DUAL:VRMS

**N** (see [page 1172](#))

**Overview** This measurement is available with the N2820A high sensitivity current probe when both the Primary and Secondary probe cables are used. This measurement joins the Zoom In waveform data below the probe's clamp level with Zoom Out waveform data above the probe's clamp level to create the waveform on which the measurement is made.

**Command Syntax** :MEASure:DUAL:VRMS [<interval>] [, <type>] [, <source1>] [, <source2>]

<interval> ::= {CYCLe | DISPlay}

<type> ::= {AC | DC}

<source1>, <source2> ::= CHANnel<n> with N2820A probe connected

<n> ::= 1 to (# analog channels) in NR1 format

The :MEASure:DUAL:VRMS command installs a screen measurement and starts an RMS value measurement.

The <interval> option lets you specify the measurement interval: either an integral number of cycles, or the full screen. If <interval> is not specified, DISPlay is implied.

The <type> option lets you choose between a DC RMS measurement and an AC RMS measurement. If <type> is not specified, DC is implied.

If the optional source parameter(s) are specified, the currently specified source(s) are modified.

**Query Syntax** :MEASure:DUAL:VRMS? [<interval>] [, <type>] [, <source1>] [, <source2>]

The :MEASure:DUAL:VRMS? query measures and outputs the RMS value measurement.

**Return Format** <value><NL>

<value> ::= calculated dc RMS value in NR3 format

- See Also**
- [":MEASure:DUAL:CHARge"](#) on page 441
  - [":MEASure:DUAL:VAMPLitude"](#) on page 442
  - [":MEASure:DUAL:VAverage"](#) on page 443
  - [":MEASure:DUAL:VBASe"](#) on page 444
  - [":MEASure:DUAL:VPP"](#) on page 445
  - ["Introduction to :MEASure Commands"](#) on page 428
  - [":MEASure:SOURce"](#) on page 468

## :MEASure:DUTYcycle

**C** (see [page 1172](#))

**Command Syntax** :MEASure:DUTYcycle [<source>]  
 <source> ::= {<digital channels> | CHANnel<n> | FUNction | MATH  
 | WMEMory<r>}

<digital channels> ::= DIGital<d> for the MSO models

<n> ::= 1 to (# of analog channels) in NR1 format

<r> ::= 1-2 in NR1 format

<d> ::= 0 to (# digital channels - 1) in NR1 format

The :MEASure:DUTYcycle command installs a screen measurement and starts a duty cycle measurement on the current :MEASure:SOURce. If the optional source parameter is specified, the current source is modified.

**NOTE**

The signal must be displayed to make the measurement. This command is not available if the source is FFT (Fast Fourier Transform).

**Query Syntax** :MEASure:DUTYcycle? [<source>]

The :MEASure:DUTYcycle? query measures and outputs the duty cycle of the signal specified by the :MEASure:SOURce command. The value returned for the duty cycle is the ratio of the positive pulse width to the period. The positive pulse width and the period of the specified signal are measured, then the duty cycle is calculated with the following formula:

$$\text{duty cycle} = (\text{+pulse width/period}) * 100$$

**Return Format** <value><NL>

<value> ::= ratio of positive pulse width to period in NR3 format

- See Also**
- ["Introduction to :MEASure Commands"](#) on page 428
  - [":MEASure:PERiod"](#) on page 457
  - [":MEASure:PWIDth"](#) on page 461
  - [":MEASure:SOURce"](#) on page 468

**Example Code** • ["Example Code"](#) on page 468

## :MEASure:FALLtime

**C** (see [page 1172](#))

**Command Syntax** :MEASure:FALLtime [<source>]

<source> ::= {CHANnel<n> | FUNction | MATH | WMEemory<r>}

<n> ::= 1 to (# analog channels) in NR1 format

<r> ::= 1-2 in NR1 format

The :MEASure:FALLtime command installs a screen measurement and starts a fall-time measurement. For highest measurement accuracy, set the sweep speed as fast as possible, while leaving the falling edge of the waveform on the display. If the optional source parameter is specified, the current source is modified.

### NOTE

This command is not available if the source is FFT (Fast Fourier Transform).

**Query Syntax** :MEASure:FALLtime? [<source>]

The :MEASure:FALLtime? query measures and outputs the fall time of the displayed falling (negative-going) edge closest to the trigger reference. The fall time is determined by measuring the time at the upper threshold of the falling edge, then measuring the time at the lower threshold of the falling edge, and calculating the fall time with the following formula:

$$\text{fall time} = \text{time at lower threshold} - \text{time at upper threshold}$$

**Return Format** <value><NL>

<value> ::= time in seconds between the lower threshold and upper threshold in NR3 format

- See Also**
- ["Introduction to :MEASure Commands"](#) on page 428
  - [":MEASure:RISetime"](#) on page 465
  - [":MEASure:SOURce"](#) on page 468



## :MEASure:FREQuency

**C** (see [page 1172](#))

**Command Syntax** :MEASure:FREQuency [<source>]  
 <source> ::= {<digital channels> | CHANnel<n> | FUNction | MATH  
 | WMEMory<r>}

<digital channels> ::= DIGital<d> for the MSO models

<n> ::= 1 to (# of analog channels) in NR1 format

<r> ::= 1-2 in NR1 format

<d> ::= 0 to (# digital channels - 1) in NR1 format

The :MEASure:FREQuency command installs a screen measurement and starts a frequency measurement. If the optional source parameter is specified, the current source is modified.

IF the edge on the screen closest to the trigger reference is rising:

THEN frequency = 1/(time at trailing rising edge - time at leading rising edge)

ELSE frequency = 1/(time at trailing falling edge - time at leading falling edge)

**NOTE**

This command is not available if the source is FFT (Fast Fourier Transform).

**Query Syntax** :MEASure:FREQuency? [<source>]

The :MEASure:FREQuency? query measures and outputs the frequency of the cycle on the screen closest to the trigger reference.

**Return Format** <source><NL>

<source> ::= frequency in Hertz in NR3 format

- See Also**
- ["Introduction to :MEASure Commands"](#) on page 428
  - [":MEASure:SOURce"](#) on page 468
  - [":MEASure:PERiod"](#) on page 457

**Example Code** • ["Example Code"](#) on page 468

## :MEASure:NDUTy

**N** (see [page 1172](#))

**Command Syntax** :MEASure:NDUTy [<source>]

<source> ::= {<digital channels> | CHANnel<n> | FUNction | MATH  
| WMEMory<r>}

<digital channels> ::= DIGital<d> for the MSO models

<d> ::= 0 to (# digital channels - 1) in NR1 format

<n> ::= 1 to (# of analog channels) in NR1 format

<r> ::= 1 to (# ref waveforms) in NR1 format

The :MEASure:NDUTy command installs a screen measurement and starts a negative duty cycle measurement on the current :MEASure:SOURce. If the optional source parameter is specified, the current source is modified.

**NOTE**

The signal must be displayed to make the measurement. This command is not available if the source is FFT (Fast Fourier Transform).

**Query Syntax** :MEASure:NDUTy? [<source>]

The :MEASure:NDUTy? query measures and outputs the negative duty cycle of the signal specified by the :MEASure:SOURce command. The value returned for the duty cycle is the ratio of the negative pulse width to the period. The negative pulse width and the period of the specified signal are measured, then the duty cycle is calculated with the following formula:

$$-\text{duty cycle} = (-\text{pulse width}/\text{period}) * 100$$

**Return Format** <value><NL>

<value> ::= ratio of negative pulse width to period in NR3 format

- See Also**
- ["Introduction to :MEASure Commands"](#) on page 428
  - [":MEASure:PERiod"](#) on page 457
  - [":MEASure:NWIDth"](#) on page 453
  - [":MEASure:SOURce"](#) on page 468
  - [":MEASure:DUTYcycle"](#) on page 447

## :MEASure:NEDGes

**N** (see [page 1172](#))

**Command Syntax** :MEASure:NEDGes [<source>]  
 <source> ::= {CHANnel<n> | FUNction | MATH | WMEMory<r>}  
 <n> ::= 1 to (# analog channels) in NR1 format  
 <r> ::= 1-2 in NR1 format

The :MEASure:NEDGes command installs a falling edge count measurement on screen. If the optional source parameter is not specified, the current source is measured.

**NOTE**

This command is not available if the source is FFT (Fast Fourier Transform).

**Query Syntax** :MEASure:NEDGes? [<source>]

The :MEASure:NEDGes? query measures and returns the on-screen falling edge count.

**Return Format** <value><NL>  
 <value> ::= the falling edge count in NR3 format

- See Also**
- ["Introduction to :MEASure Commands"](#) on page 428
  - [":MEASure:SOURce"](#) on page 468

## :MEASure:NPULses

**N** (see [page 1172](#))

**Command Syntax** :MEASure:NPULses [<source>]  
 <source> ::= {CHANnel<n> | FUNction | MATH | WMEMory<r>}  
 <n> ::= 1 to (# analog channels) in NR1 format  
 <r> ::= 1-2 in NR1 format

The :MEASure:NPULses command installs a falling pulse count measurement on screen. If the optional source parameter is not specified, the current source is measured.

**NOTE**

This command is not available if the source is FFT (Fast Fourier Transform).

**Query Syntax** :MEASure:NPULses? [<source>]

The :MEASure:NPULses? query measures and returns the on-screen falling pulse count.

**Return Format** <value><NL>  
 <value> ::= the falling pulse count in NR3 format

- See Also**
- ["Introduction to :MEASure Commands"](#) on page 428
  - [":MEASure:SOURce"](#) on page 468

## :MEASure:NWIDth

**C** (see [page 1172](#))

**Command Syntax** :MEASure:NWIDth [<source>]  
 <source> ::= {<digital channels> | CHANnel<n> | FUNction | MATH  
 | WMEMory<r>}

<digital channels> ::= DIGital<d> for the MSO models

<n> ::= 1 to (# of analog channels) in NR1 format

<r> ::= 1-2 in NR1 format

<d> ::= 0 to (# digital channels - 1) in NR1 format

The :MEASure:NWIDth command installs a screen measurement and starts a negative pulse width measurement. If the optional source parameter is not specified, the current source is modified.

**NOTE**

This command is not available if the source is FFT (Fast Fourier Transform).

**Query Syntax** :MEASure:NWIDth? [<source>]

The :MEASure:NWIDth? query measures and outputs the width of the negative pulse on the screen closest to the trigger reference using the midpoint between the upper and lower thresholds.

FOR the negative pulse closest to the trigger point:

$$\text{width} = (\text{time at trailing rising edge} - \text{time at leading falling edge})$$

**Return Format** <value><NL>

<value> ::= negative pulse width in seconds in NR3 format

- See Also**
- ["Introduction to :MEASure Commands"](#) on page 428
  - [":MEASure:SOURce"](#) on page 468
  - [":MEASure:PWIDth"](#) on page 461
  - [":MEASure:PERiod"](#) on page 457

## :MEASure:OVERshoot

**C** (see [page 1172](#))

**Command Syntax** :MEASure:OVERshoot [<source>]  
 <source> ::= {CHANnel<n> | FUNction | MATH | WMEMemory<r>}  
 <n> ::= 1 to (# analog channels) in NR1 format  
 <r> ::= 1-2 in NR1 format

The :MEASure:OVERshoot command installs a screen measurement and starts an overshoot measurement. If the optional source parameter is specified, the current source is modified.

**NOTE**

This command is not available if the source is FFT (Fast Fourier Transform).

**Query Syntax** :MEASure:OVERshoot? [<source>]

The :MEASure:OVERshoot? query measures and returns the overshoot of the edge closest to the trigger reference, displayed on the screen. The method used to determine overshoot is to make three different vertical value measurements: Vtop, Vbase, and either Vmax or Vmin, depending on whether the edge is rising or falling.

For a rising edge:

$$\text{overshoot} = ((V_{\text{max}} - V_{\text{top}}) / (V_{\text{top}} - V_{\text{base}})) \times 100$$

For a falling edge:

$$\text{overshoot} = ((V_{\text{base}} - V_{\text{min}}) / (V_{\text{top}} - V_{\text{base}})) \times 100$$

Vtop and Vbase are taken from the normal histogram of all waveform vertical values. The extremum of Vmax or Vmin is taken from the waveform interval right after the chosen edge, halfway to the next edge. This more restricted definition is used instead of the normal one, because it is conceivable that a signal may have more preshoot than overshoot, and the normal extremum would then be dominated by the preshoot of the following edge.

**Return Format** <overshoot><NL>  
 <overshoot> ::= the percent of the overshoot of the selected waveform in NR3 format

- See Also**
- ["Introduction to :MEASure Commands"](#) on page 428
  - [":MEASure:PREShoot"](#) on page 460
  - [":MEASure:SOURce"](#) on page 468
  - [":MEASure:VMAX"](#) on page 483

- **":MEASure:VTOP"** on page 489
- **":MEASure:VBASe"** on page 482
- **":MEASure:VMIN"** on page 484

## :MEASure:PEDGes

**N** (see [page 1172](#))

**Command Syntax** :MEASure:PEDGes [<source>]  
 <source> ::= {CHANnel<n> | FUNction | MATH | WMEMory<r>}  
 <n> ::= 1 to (# analog channels) in NR1 format  
 <r> ::= 1-2 in NR1 format

The :MEASure:PEDGes command installs a rising edge count measurement on screen. If the optional source parameter is not specified, the current source is measured.

**NOTE**

This command is not available if the source is FFT (Fast Fourier Transform).

**Query Syntax** :MEASure:PEDGes? [<source>]

The :MEASure:PEDGes? query measures and returns the on-screen rising edge count.

**Return Format** <value><NL>  
 <value> ::= the rising edge count in NR3 format

- See Also**
- ["Introduction to :MEASure Commands"](#) on page 428
  - [":MEASure:SOURce"](#) on page 468



## :MEASure:PERiod

**C** (see [page 1172](#))

**Command Syntax** :MEASure:PERiod [<source>]  
 <source> ::= {<digital channels> | CHANnel<n> | FUNction | MATH  
 | WMEMory<r>}  
 <digital channels> ::= DIGital<d> for the MSO models  
 <n> ::= 1 to (# of analog channels) in NR1 format  
 <r> ::= 1-2 in NR1 format  
 <d> ::= 0 to (# digital channels - 1) in NR1 format

The :MEASure:PERiod command installs a screen measurement and starts the period measurement. If the optional source parameter is specified, the current source is modified.

**NOTE**

This command is not available if the source is FFT (Fast Fourier Transform).

**Query Syntax** :MEASure:PERiod? [<source>]

The :MEASure:PERiod? query measures and outputs the period of the cycle closest to the trigger reference on the screen. The period is measured at the midpoint of the upper and lower thresholds.

IF the edge closest to the trigger reference on screen is rising:

THEN period = (time at trailing rising edge - time at leading rising edge)

ELSE period = (time at trailing falling edge - time at leading falling edge)

**Return Format** <value><NL>  
 <value> ::= waveform period in seconds in NR3 format

- See Also**
- ["Introduction to :MEASure Commands"](#) on page 428
  - [":MEASure:SOURce"](#) on page 468
  - [":MEASure:NWIDth"](#) on page 453
  - [":MEASure:PWIDth"](#) on page 461
  - [":MEASure:FREQuency"](#) on page 449

**Example Code** • ["Example Code"](#) on page 468

## :MEASure:PHASe

**N** (see [page 1172](#))

**Command Syntax** :MEASure:PHASe [<source1>] [,<source2>]  
 <source1>, <source2> ::= {CHANnel<n> | FUNction | MATH | WMEMory<r>}  
 <n> ::= 1 to (# analog channels) in NR1 format  
 <r> ::= 1-2 in NR1 format

The :MEASure:PHASe command places the instrument in the continuous measurement mode and starts a phase measurement.

**Query Syntax** :MEASure:PHASe? [<source1>] [,<source2>]

The :MEASure:PHASe? query measures and returns the phase between the specified sources.

A phase measurement is a combination of the period and delay measurements. First, the period is measured on source1. Then the delay is measured between source1 and source2. The edges used for delay are the source1 rising edge used for the period measurement closest to the horizontal reference and the rising edge on source 2. See :MEASure:DELAy for more detail on selecting the 2nd edge.

The phase is calculated as follows:

$$\text{phase} = (\text{delay} / \text{period of input 1}) \times 360$$

**Return Format** <value><NL>  
 <value> ::= the phase angle value in degrees in NR3 format

- See Also**
- ["Introduction to :MEASure Commands"](#) on page 428
  - [":MEASure:DELAy"](#) on page 439
  - [":MEASure:PERiod"](#) on page 457
  - [":MEASure:SOURce"](#) on page 468

## :MEASure:PPULses

**N** (see [page 1172](#))

**Command Syntax** :MEASure:PPULses [<source>]  
 <source> ::= {CHANnel<n> | FUNction | MATH | WMEMory<r>}  
 <n> ::= 1 to (# analog channels) in NR1 format  
 <r> ::= 1-2 in NR1 format

The :MEASure:PPULses command installs a rising pulse count measurement on screen. If the optional source parameter is not specified, the current source is measured.

**NOTE**

This command is not available if the source is FFT (Fast Fourier Transform).

**Query Syntax** :MEASure:PPULses? [<source>]

The :MEASure:PPULses? query measures and returns the on-screen rising pulse count.

**Return Format** <value><NL>  
 <value> ::= the rising pulse count in NR3 format

- See Also**
- ["Introduction to :MEASure Commands"](#) on page 428
  - [":MEASure:SOURce"](#) on page 468

## :MEASure:PREShoot

**C** (see [page 1172](#))

**Command Syntax** :MEASure:PREShoot [<source>]  
 <source> ::= {CHANnel<n> | FUNction | MATH | WMEMory<r>}  
 <n> ::= 1 to (# analog channels) in NR1 format  
 <r> ::= 1-2 in NR1 format

The :MEASure:PREShoot command installs a screen measurement and starts a preshoot measurement. If the optional source parameter is specified, the current source is modified.

**Query Syntax** :MEASure:PREShoot? [<source>]

The :MEASure:PREShoot? query measures and returns the preshoot of the edge closest to the trigger, displayed on the screen. The method used to determine preshoot is to make three different vertical value measurements: Vtop, Vbase, and either Vmin or Vmax, depending on whether the edge is rising or falling.

For a rising edge:

$$\text{preshoot} = ((V_{\text{min}} - V_{\text{base}}) / (V_{\text{top}} - V_{\text{base}})) \times 100$$

For a falling edge:

$$\text{preshoot} = ((V_{\text{max}} - V_{\text{top}}) / (V_{\text{top}} - V_{\text{base}})) \times 100$$

Vtop and Vbase are taken from the normal histogram of all waveform vertical values. The extremum of Vmax or Vmin is taken from the waveform interval right before the chosen edge, halfway back to the previous edge. This more restricted definition is used instead of the normal one, because it is likely that a signal may have more overshoot than preshoot, and the normal extremum would then be dominated by the overshoot of the preceding edge.

**Return Format** <value><NL>  
 <value> ::= the percent of preshoot of the selected waveform  
 in NR3 format

- See Also**
- ["Introduction to :MEASure Commands"](#) on page 428
  - [":MEASure:SOURce"](#) on page 468
  - [":MEASure:VMIN"](#) on page 484
  - [":MEASure:VMAX"](#) on page 483
  - [":MEASure:VTOP"](#) on page 489
  - [":MEASure:VBASe"](#) on page 482

## :MEASure:PWIDth

**C** (see [page 1172](#))

**Command Syntax** :MEASure:PWIDth [<source>]  
 <source> ::= {<digital channels> | CHANnel<n> | FUNction | MATH  
 | WMEMory<r>}  
 <digital channels> ::= DIGital<d> for the MSO models  
 <n> ::= 1 to (# of analog channels) in NR1 format  
 <r> ::= 1-2 in NR1 format  
 <d> ::= 0 to (# digital channels - 1) in NR1 format

The :MEASure:PWIDth command installs a screen measurement and starts the positive pulse width measurement. If the optional source parameter is specified, the current source is modified.

**NOTE**

This command is not available if the source is FFT (Fast Fourier Transform).

**Query Syntax** :MEASure:PWIDth? [<source>]

The :MEASure:PWIDth? query measures and outputs the width of the displayed positive pulse closest to the trigger reference. Pulse width is measured at the midpoint of the upper and lower thresholds.

IF the edge on the screen closest to the trigger is falling:

THEN width = (time at trailing falling edge - time at leading rising edge)

ELSE width = (time at leading falling edge - time at leading rising edge)

**Return Format** <value><NL>

<value> ::= width of positive pulse in seconds in NR3 format

- See Also**
- ["Introduction to :MEASure Commands"](#) on page 428
  - [":MEASure:SOURce"](#) on page 468
  - [":MEASure:NWIDth"](#) on page 453
  - [":MEASure:PERiod"](#) on page 457

## :MEASure:RESults

**N** (see [page 1172](#))

### Query Syntax

`:MEASure:RESults?`

The `:MEASure:RESults?` query returns the results of the continuously displayed measurements. The response to the `MEASure:RESults?` query is a list of comma-separated values.

If more than one measurement is running continuously, the `:MEASure:RESults` return values are duplicated for each continuous measurement from the first to last (left to right) result displayed. Each result returned is separated from the previous result by a comma. There is a maximum of four continuous measurements that can be continuously displayed at a time.

When no quick measurements are installed, the `:MEASure:RESults?` query returns nothing (empty string). When the count for any of the measurements is 0, the value of infinity ( $9.9E+37$ ) is returned for the min, max, mean, and standard deviation.

### Return Format

`<result_list><NL>`

`<result_list> ::= comma-separated list of measurement results`

The following shows the order of values received for a single measurement if `:MEASure:STATistics` is set to ON.

Measureme nt label	current	min	max	mean	std dev	count
-----------------------	---------	-----	-----	------	---------	-------

Measurement label, current, min, max, mean, std dev, and count are only returned if `:MEASure:STATistics` is ON.

If `:MEASure:STATistics` is set to `CURRent`, `MIN`, `MAX`, `MEAN`, `STDDev`, or `COUNT` only that particular statistic value is returned for each measurement that is on.

- See Also**
- ["Introduction to :MEASure Commands"](#) on page 428
  - [":MEASure:STATistics"](#) on page 470

### Example Code

```
' This program shows the InfiniiVision oscilloscopes' measurement
' statistics commands.
' -----
```

Option Explicit

```
Public myMgr As VisaComLib.ResourceManager
Public myScope As VisaComLib.FormattedIO488
Public varQueryResult As Variant
Public strQueryResult As String
```

```

Private Declare Sub Sleep Lib "kernel32" (ByVal dwMilliseconds As Long)

Sub Main()

    On Error GoTo VisaComError

    ' Create the VISA COM I/O resource.
    Set myMgr = New VisaComLib.ResourceManager
    Set myScope = New VisaComLib.FormattedIO488
    Set myScope.IO = myMgr.Open("TCPIP0::130.29.70.228::inst0::INSTR")

    ' Initialize.
    myScope.IO.Clear ' Clear the interface.
    myScope.WriteString "*RST" ' Reset to the defaults.
    myScope.WriteString "*CLS" ' Clear the status data structures.
    myScope.WriteString ":AUToscale"

    ' Install some measurements.
    myScope.WriteString ":MEASure:SOURce CHANnel1" ' Input source.

    Dim MeasurementArray(3) As String
    MeasurementArray(0) = "FREQuency"
    MeasurementArray(1) = "DUTYcycle"
    MeasurementArray(2) = "VAMPLitude"
    MeasurementArray(3) = "VPP"
    Dim Measurement As Variant

    For Each Measurement In MeasurementArray
        myScope.WriteString ":MEASure:" + Measurement
        myScope.WriteString ":MEASure:" + Measurement + "?"
        varQueryResult = myScope.ReadNumber ' Read measurement value.
        Debug.Print Measurement + ": " + FormatNumber(varQueryResult, 4)
    Next

    myScope.WriteString ":MEASure:STATistics:RESet" ' Reset stats.
    Sleep 5000 ' Wait for 5 seconds.

    ' Select the statistics results type.
    Dim ResultsTypeArray(6) As String
    ResultsTypeArray(0) = "CURRent"
    ResultsTypeArray(1) = "MINimum"
    ResultsTypeArray(2) = "MAXimum"
    ResultsTypeArray(3) = "MEAN"
    ResultsTypeArray(4) = "STDDev"
    ResultsTypeArray(5) = "COUNT"
    ResultsTypeArray(6) = "ON" ' All results.
    Dim ResultType As Variant

    Dim ResultsList()

    Dim ValueColumnArray(6) As String
    ValueColumnArray(0) = "Meas_Lbl"
    ValueColumnArray(1) = "Current"
    ValueColumnArray(2) = "Min"
    ValueColumnArray(3) = "Max"
    ValueColumnArray(4) = "Mean"
    ValueColumnArray(5) = "Std_Dev"

```

```

ValueColumnArray(6) = "Count"
Dim ValueColumn As Variant

For Each ResultType In ResultsTypeArray
  myScope.WriteString ":MEASure:STATistics " + ResultType

  ' Get the statistics results.
  Dim intCounter As Integer
  intCounter = 0
  myScope.WriteString ":MEASure:RESults?"
  ResultsList() = myScope.ReadList

  For Each Measurement In MeasurementArray

    If ResultType = "ON" Then ' All statistics.

      For Each ValueColumn In ValueColumnArray
        If VarType(ResultsList(intCounter)) <> vbString Then
          Debug.Print "Measure statistics result CH1, " + _
            Measurement + ", "; ValueColumn + ": " + _
            FormatNumber(ResultsList(intCounter), 4)

        Else ' Result is a string (e.g., measurement label).
          Debug.Print "Measure statistics result CH1, " + _
            Measurement + ", "; ValueColumn + ": " + _
            ResultsList(intCounter)

        End If

        intCounter = intCounter + 1

      Next

    Else ' Specific statistic (e.g., Current, Max, Min, etc.).

      Debug.Print "Measure statistics result CH1, " + _
        Measurement + ", "; ResultType + ": " + _
        FormatNumber(ResultsList(intCounter), 4)

      intCounter = intCounter + 1

    End If

  Next

Next

Exit Sub

VisaComError:
  MsgBox "VISA COM Error:" + vbCrLf + Err.Description

End Sub

```



## :MEASure:RISetime

**C** (see [page 1172](#))

**Command Syntax** :MEASure: RISetime [<source>]  
 <source> ::= {CHANnel<n> | FUNction | MATH | WMEMory<r>}  
 <n> ::= 1 to (# analog channels) in NR1 format  
 <r> ::= 1-2 in NR1 format

The :MEASure:RISetime command installs a screen measurement and starts a rise-time measurement. If the optional source parameter is specified, the current source is modified.

**NOTE**

This command is not available if the source is FFT (Fast Fourier Transform).

**Query Syntax** :MEASure: RISetime? [<source>]

The :MEASure:RISetime? query measures and outputs the rise time of the displayed rising (positive-going) edge closest to the trigger reference. For maximum measurement accuracy, set the sweep speed as fast as possible while leaving the leading edge of the waveform on the display. The rise time is determined by measuring the time at the lower threshold of the rising edge and the time at the upper threshold of the rising edge, then calculating the rise time with the following formula:

$$\text{rise time} = \text{time at upper threshold} - \text{time at lower threshold}$$

**Return Format** <value><NL>  
 <value> ::= rise time in seconds in NR3 format

- See Also**
- ["Introduction to :MEASure Commands"](#) on page 428
  - [":MEASure:SOURce"](#) on page 468
  - [":MEASure:FALLtime"](#) on page 448

## :MEASure:SDEVIation

**N** (see [page 1172](#))

**Command Syntax** :MEASure:SDEVIation [<source>]  
 <source> ::= {CHANnel<n> | FUNction | MATH | WMEMory<r>}  
 <n> ::= 1-2 or 1-4 (# of analog channels) in NR1 format  
 <r> ::= 1-2 in NR1 format

**NOTE**

This ":MEASure:VRMS DISPlay, AC" command is the preferred syntax for making standard deviation measurements.

The :MEASure:SDEVIation command installs a screen measurement and starts std deviation measurement. If the optional source parameter is specified, the current source is modified.

**NOTE**

This command is not available if the source is FFT (Fast Fourier Transform).

**Query Syntax** :MEASure:SDEVIation? [<source>]

The :MEASure:SDEVIation? query measures and outputs the std deviation of the selected waveform. The oscilloscope computes the std deviation on all displayed data points.

**Return Format** <value><NL>  
 <value> ::= calculated std deviation value in NR3 format

- See Also**
- ["Introduction to :MEASure Commands"](#) on page 428
  - [":MEASure:VRMS"](#) on page 487
  - [":MEASure:SOURce"](#) on page 468

## :MEASure:SHOW

**N** (see [page 1172](#))

**Command Syntax** :MEASure:SHOW <show>

<show> ::= {1 | ON}

The :MEASure:SHOW command enables markers for tracking measurements on the display. This feature is always on.

**Query Syntax** :MEASure:SHOW?

The :MEASure:SHOW? query returns the current state of the markers.

**Return Format** <show><NL>

<show> ::= 1

**See Also** • ["Introduction to :MEASure Commands"](#) on page 428

## :MEASure:SOURce

**C** (see [page 1172](#))

**Command Syntax** :MEASure:SOURce <source1>[,<source2>]

<source1>,<source2> ::= {<digital channels> | CHANnel<n> | FUNction  
| MATH | WMEMory<r>}

<digital channels> ::= DIGital<d> for the MSO models

<n> ::= 1 to (# of analog channels) in NR1 format

<r> ::= 1-2 in NR1 format

<d> ::= 0 to (# digital channels - 1) in NR1 format

The :MEASure:SOURce command sets the default sources for measurements. The specified sources are used as the sources for the MEASure subsystem commands if the sources are not explicitly set with the command.

If a source is specified for any measurement, the current source is changed to this new value.

If :MARKer:MODE is set to OFF or MANual, setting :MEASure:SOURce to CHANnel<n>, FUNction, or MATH will also set :MARKer:X1Y1source to source1 and :MARKer:X2Y2source to source2.

**Query Syntax** :MEASure:SOURce?

The :MEASure:SOURce? query returns the current source selections. Source2 applies only to :MEASure:DELay and :MEASure:PHASe measurements.

### NOTE

MATH is an alias for FUNction. The query will return FUNC if the source is FUNction or MATH.

**Return Format** <source1>,<source2><NL>

<source1>,<source2> ::= {<digital channels> | CHAN<n> | FUNC | WMEM<r>}

- See Also:**
- ["Introduction to :MEASure Commands"](#) on page 428
  - [":MARKer:MODE"](#) on page 399
  - [":MARKer:X1Y1source"](#) on page 401
  - [":MARKer:X2Y2source"](#) on page 403
  - [":MEASure:DELay"](#) on page 439
  - [":MEASure:PHASe"](#) on page 458

**Example Code**

```
' MEASURE - The commands in the MEASure subsystem are used to make
' measurements on displayed waveforms.
myScope.WriteString ":MEASure:SOURce CHANnel1" ' Source to measure.
myScope.WriteString ":MEASure:FREQUENCY?" ' Query for frequency.
```

```

varQueryResult = myScope.ReadNumber    ' Read frequency.
MsgBox "Frequency:" + vbCrLf _
      + FormatNumber(varQueryResult / 1000, 4) + " kHz"
myScope.WriteString ":MEASure:DUTYcycle?" ' Query for duty cycle.
varQueryResult = myScope.ReadNumber    ' Read duty cycle.
MsgBox "Duty cycle:" + vbCrLf _
      + FormatNumber(varQueryResult, 3) + "%"
myScope.WriteString ":MEASure:RISetime?" ' Query for risetime.
varQueryResult = myScope.ReadNumber    ' Read risetime.
MsgBox "Risetime:" + vbCrLf _
      + FormatNumber(varQueryResult * 1000000, 4) + " us"
myScope.WriteString ":MEASure:VPP?"    ' Query for Pk to Pk voltage.
varQueryResult = myScope.ReadNumber    ' Read VPP.
MsgBox "Peak to peak voltage:" + vbCrLf _
      + FormatNumber(varQueryResult, 4) + " V"
myScope.WriteString ":MEASure:VMAX?"   ' Query for Vmax.
varQueryResult = myScope.ReadNumber    ' Read Vmax.
MsgBox "Maximum voltage:" + vbCrLf _
      + FormatNumber(varQueryResult, 4) + " V"

```

See complete example programs at: [Chapter 40](#), "Programming Examples," starting on page 1181

## :MEASure:STATistics

**N** (see [page 1172](#))

**Command Syntax** :MEASure:STATistics <type>

```
<type> ::= { {ON | 1} | CURRent | MINimum | MAXimum | MEAN | STDev
            | COUNT }
```

The :MEASure:STATistics command determines the type of information returned by the :MEASure:RESults? query. ON means all the statistics are on.

**Query Syntax** :MEASure:STATistics?

The :MEASure:STATistics? query returns the current statistics mode.

**Return Format** <type><NL>

```
<type> ::= { ON | CURR | MIN | MAX | MEAN | STDD | COUN }
```

- See Also**
- ["Introduction to :MEASure Commands"](#) on page 428
  - [":MEASure:RESults"](#) on page 462
  - [":MEASure:STATistics:DISPlay"](#) on page 471
  - [":MEASure:STATistics:RESet"](#) on page 474
  - [":MEASure:STATistics:INCRement"](#) on page 472

**Example Code** • ["Example Code"](#) on page 462

## :MEASure:STATistics:DISPlay

**N** (see [page 1172](#))

**Command Syntax** :MEASure:STATistics:DISPlay {{0 | OFF} | {1 | ON}}

The :MEASure:STATistics:DISPlay command disables or enables the display of the measurement statistics.

**Query Syntax** :MEASure:STATistics:DISPlay?

The :MEASure:STATistics:DISPlay? query returns the state of the measurement statistics display.

**Return Format** {0 | 1}<NL>

- See Also**
- ["Introduction to :MEASure Commands"](#) on page 428
  - [":MEASure:RESults"](#) on page 462
  - [":MEASure:STATistics"](#) on page 470
  - [":MEASure:STATistics:MCOunt"](#) on page 473
  - [":MEASure:STATistics:RESet"](#) on page 474
  - [":MEASure:STATistics:INCRement"](#) on page 472
  - [":MEASure:STATistics:RSDeviation"](#) on page 475

## :MEASure:STATistics:INCRement

**N** (see [page 1172](#))

**Command Syntax** :MEASure:STATistics:INCRement

This command updates the statistics once (incrementing the count by one) using the current measurement values. It corresponds to the front panel **Increment Statistics** softkey in the Measurement Statistics Menu. This command lets you, for example, gather statistics over multiple pulses captured in a single acquisition. To do this, change the horizontal position and enter the command for each new pulse that is measured.

This command is only allowed when the oscilloscope is stopped and quick measurements are on.

The command is allowed in segmented acquisition mode even though the corresponding front panel softkey is not available.

- See Also**
- ["Introduction to :MEASure Commands"](#) on page 428
  - [":MEASure:STATistics"](#) on page 470
  - [":MEASure:STATistics:DISPlay"](#) on page 471
  - [":MEASure:STATistics:RESet"](#) on page 474
  - [":MEASure:RESults"](#) on page 462



## :MEASure:STATistics:MCOunt

**N** (see [page 1172](#))

**Command Syntax** :MEASure:STATistics:MCOunt <setting>

<setting> ::= {INFinite | <count>}

<count> ::= 2 to 2000 in NR1 format

The :MEASure:STATistics:MCOunt command specifies the maximum number of values used when calculating measurement statistics.

**Query Syntax** :MEASure:STATistics:MCOunt?

The :MEASure:STATistics:MCOunt? query returns the current measurement statistics max count setting.

**Return Format** <setting><NL>

<setting> ::= {INF | <count>}

<count> ::= 2 to 2000

- See Also**
- ["Introduction to :MEASure Commands"](#) on page 428
  - [":MEASure:RESults"](#) on page 462
  - [":MEASure:STATistics"](#) on page 470
  - [":MEASure:STATistics:DISPlay"](#) on page 471
  - [":MEASure:STATistics:RSDeviation"](#) on page 475
  - [":MEASure:STATistics:RESet"](#) on page 474
  - [":MEASure:STATistics:INCRement"](#) on page 472

## :MEASure:STATistics:RESet

**N** (see [page 1172](#))

**Command Syntax** :MEASure:STATistics:RESet

This command resets the measurement statistics, zeroing the counts.

Note that the measurement (statistics) configuration is not deleted.

- See Also**
- ["Introduction to :MEASure Commands"](#) on page 428
  - [":MEASure:STATistics"](#) on page 470
  - [":MEASure:STATistics:DISPlay"](#) on page 471
  - [":MEASure:RESults"](#) on page 462
  - [":MEASure:STATistics:INCRement"](#) on page 472

- Example Code**
- ["Example Code"](#) on page 462

## :MEASure:STATistics:RSDeviation

**N** (see [page 1172](#))

**Command Syntax** :MEASure:STATistics:RSDeviation {{0 | OFF} | {1 | ON}}

The :MEASure:STATistics:RSDeviation command disables or enables relative standard deviations, that is, standard deviation/mean, in the measurement statistics.

**Query Syntax** :MEASure:STATistics:RSDeviation?

The :MEASure:STATistics:RSDeviation? query returns the current relative standard deviation setting.

**Return Format** {0 | 1}<NL>

- See Also**
- ["Introduction to :MEASure Commands"](#) on page 428
  - [":MEASure:RESults"](#) on page 462
  - [":MEASure:STATistics"](#) on page 470
  - [":MEASure:STATistics:DISPlay"](#) on page 471
  - [":MEASure:STATistics:MCOunt"](#) on page 473
  - [":MEASure:STATistics:RESet"](#) on page 474
  - [":MEASure:STATistics:INCRement"](#) on page 472

## :MEASure:TEDGE

**N** (see [page 1172](#))

**Query Syntax** :MEASure:TEDGE? <slope><occurrence>[,<source>]

<slope> ::= direction of the waveform. A rising slope is indicated by a space or plus sign (+). A falling edge is indicated by a minus sign (-).

<occurrence> ::= the transition to be reported. If the occurrence number is one, the first crossing from the left screen edge is reported. If the number is two, the second crossing is reported, etc.

<source> ::= {<digital channels> | CHANnel<n> | FUNction | MATH  
| WMEMory<r>}

<digital channels> ::= DIGital<d> for the MSO models

<n> ::= 1 to (# of analog channels) in NR1 format

<r> ::= 1-2 in NR1 format

<d> ::= 0 to (# digital channels - 1) in NR1 format

When the :MEASure:TEDGE query is sent, the displayed signal is searched for the specified transition. The time interval between the trigger event and this occurrence is returned as the response to the query. The sign of the slope selects a rising (+) or falling (-) edge. If no sign is specified for the slope, it is assumed to be the rising edge.

The magnitude of occurrence defines the occurrence to be reported. For example, +3 returns the time for the third time the waveform crosses the midpoint threshold in the positive direction. Once this crossing is found, the oscilloscope reports the time at that crossing in seconds, with the trigger point (time zero) as the reference.

If the specified crossing cannot be found, the oscilloscope reports +9.9E+37. This value is returned if the waveform does not cross the specified vertical value, or if the waveform does not cross the specified vertical value for the specific number of times in the direction specified.

You can make delay and phase measurements using the MEASure:TEDGE command:

Delay = time at the nth rising or falling edge of the channel - time at the same edge of another channel

Phase = (delay between channels / period of channel) x 360

For an example of making a delay and phase measurement, see "[:MEASure:TEDGE Code](#)" on page 477.

If the optional source parameter is specified, the current source is modified.

**NOTE**

This query is not available if the source is FFT (Fast Fourier Transform).

**Return Format** <value><NL>

<value> ::= time in seconds of the specified transition in NR3 format

**:MEASure:TEDGe  
Code**

```
' Make a delay measurement between channel 1 and 2.
Dim dblChan1Edge1 As Double
Dim dblChan2Edge1 As Double
Dim dblChan1Edge2 As Double
Dim dblDelay As Double
Dim dblPeriod As Double
Dim dblPhase As Double

' Query time at 1st rising edge on ch1.
myScope.WriteString ":MEASURE:TEDGE? +1, CHAN1"

' Read time at edge 1 on ch 1.
dblChan1Edge1 = myScope.ReadNumber

' Query time at 1st rising edge on ch2.
myScope.WriteString ":MEASURE:TEDGE? +1, CHAN2"

' Read time at edge 1 on ch 2.
dblChan2Edge1 = myScope.ReadNumber

' Calculate delay time between ch1 and ch2.
dblDelay = dblChan2Edge1 - dblChan1Edge1

' Write calculated delay time to screen.
MsgBox "Delay = " + vbCrLf + CStr(dblDelay)

' Make a phase difference measurement between channel 1 and 2.
' Query time at 1st rising edge on ch1.
myScope.WriteString ":MEASURE:TEDGE? +2, CHAN1"

' Read time at edge 2 on ch 1.
dblChan1Edge2 = myScope.ReadNumber

' Calculate period of ch 1.
dblPeriod = dblChan1Edge2 - dblChan1Edge1

' Calculate phase difference between ch1 and ch2.
dblPhase = (dblDelay / dblPeriod) * 360
MsgBox "Phase = " + vbCrLf + CStr(dblPhase)
```

See complete example programs at: [Chapter 40](#), "Programming Examples," starting on page 1181

- See Also**
- ["Introduction to :MEASure Commands"](#) on page 428
  - [":MEASure:TVALue"](#) on page 478
  - [":MEASure:VTIME"](#) on page 488

## :MEASure:TVALue

**C** (see [page 1172](#))

**Query Syntax** :MEASure:TVALue? <value>, [<slope>]<occurrence>[,<source>]

<value> ::= the vertical value that the waveform must cross. The value can be volts or a math function value such as dB, Vs, or V/s.

<slope> ::= direction of the waveform. A rising slope is indicated by a plus sign (+). A falling edge is indicated by a minus sign (-).

<occurrence> ::= the transition to be reported. If the occurrence number is one, the first crossing is reported. If the number is two, the second crossing is reported, etc.

<source> ::= {CHANnel<n> | FUNction | MATH | WMEMory<r>}

<n> ::= 1 to (# analog channels) in NR1 format

<r> ::= 1-2 in NR1 format

When the :MEASure:TVALue? query is sent, the displayed signal is searched for the specified value level and transition. The time interval between the trigger event and this defined occurrence is returned as the response to the query.

The specified value can be negative or positive. To specify a negative value, use a minus sign (-). The sign of the slope selects a rising (+) or falling (-) edge. If no sign is specified for the slope, it is assumed to be the rising edge.

The magnitude of the occurrence defines the occurrence to be reported. For example, +3 returns the time for the third time the waveform crosses the specified value level in the positive direction. Once this value crossing is found, the oscilloscope reports the time at that crossing in seconds, with the trigger point (time zero) as the reference.

If the specified crossing cannot be found, the oscilloscope reports +9.9E+37. This value is returned if the waveform does not cross the specified value, or if the waveform does not cross the specified value for the specified number of times in the direction specified.

If the optional source parameter is specified, the current source is modified.

**NOTE**

This query is not available if the source is FFT (Fast Fourier Transform).

**Return Format** <value><NL>

<value> ::= time in seconds of the specified value crossing in NR3 format

- See Also
- [":MEASure Commands"](#) on page 428
  - [":MEASure:TEDGe"](#) on page 476
  - [":MEASure:VTIMe"](#) on page 488

## :MEASure:VAMPlitude

**C** (see [page 1172](#))

**Command Syntax** :MEASure:VAMPlitude [<source>]

<source> ::= {CHANnel<n> | FUNction | MATH | WMEMory<r>}

<n> ::= 1 to (# analog channels) in NR1 format

<r> ::= 1-2 in NR1 format

The :MEASure:VAMPlitude command installs a screen measurement and starts a vertical amplitude measurement. If the optional source parameter is specified, the current source is modified.

**Query Syntax** :MEASure:VAMPlitude? [<source>]

The :MEASure:VAMPlitude? query measures and returns the vertical amplitude of the waveform. To determine the amplitude, the instrument measures Vtop and Vbase, then calculates the amplitude as follows:

$$\text{vertical amplitude} = V_{\text{top}} - V_{\text{base}}$$

**Return Format** <value><NL>

<value> ::= the amplitude of the selected waveform in NR3 format

- See Also**
- ["Introduction to :MEASure Commands"](#) on page 428
  - [":MEASure:SOURce"](#) on page 468
  - [":MEASure:VBASe"](#) on page 482
  - [":MEASure:VTOP"](#) on page 489
  - [":MEASure:VPP"](#) on page 485



## :MEASure:VAverage

**C** (see [page 1172](#))

**Command Syntax** :MEASure:VAverage [<interval>][,][<source>]  
 <interval> ::= {CYCLe | DISPlay}  
 <source> ::= {CHANnel<n> | FUNCTION | MATH | WMemory<r>}  
 <n> ::= 1-2 or 1-4 (# of analog channels) in NR1 format  
 <r> ::= 1-2 in NR1 format

The :MEASure:VAverage command installs a screen measurement and starts an average value measurement. If the optional source parameter is specified, the current source is modified.

The <interval> option lets you specify the measurement interval: either an integral number of cycles, or the full screen. If <interval> is not specified, DISPlay is implied.

**Query Syntax** :MEASure:VAverage? [<interval>][,][<source>]

The :MEASure:VAverage? query returns the average value of an integral number of periods of the signal. If at least three edges are not present, the oscilloscope averages all data points.

**Return Format** <value><NL>  
 <value> ::= calculated average value in NR3 format

- See Also**
- ["Introduction to :MEASure Commands"](#) on page 428
  - [":MEASure:SOURce"](#) on page 468

## :MEASure:VBASe

**C** (see [page 1172](#))

**Command Syntax** :MEASure:VBASe [<source>]  
 <source> ::= {CHANnel<n> | FUNction | MATH | WMEMory<r>}  
 <n> ::= 1 to (# analog channels) in NR1 format  
 <r> ::= 1-2 in NR1 format

The :MEASure:VBASe command installs a screen measurement and starts a waveform base value measurement. If the optional source parameter is specified, the current source is modified.

**NOTE**

This command is not available if the source is FFT (Fast Fourier Transform).

**Query Syntax** :MEASure:VBASe? [<source>]

The :MEASure:VBASe? query returns the vertical value at the base of the waveform. The base value of a pulse is normally not the same as the minimum value.

**Return Format** <base\_voltage><NL>  
 <base\_voltage> ::= value at the base of the selected waveform in NR3 format

- See Also**
- ["Introduction to :MEASure Commands"](#) on page 428
  - [":MEASure:SOURce"](#) on page 468
  - [":MEASure:VTOP"](#) on page 489
  - [":MEASure:VAMPLitude"](#) on page 480
  - [":MEASure:VMIN"](#) on page 484

## :MEASure:VMAX

**C** (see [page 1172](#))

**Command Syntax** :MEASure:VMAX [<source>]

<source> ::= {CHANnel<n> | FUNction | MATH | WMEMory<r>}

<n> ::= 1-2 or 1-4 (# of analog channels) in NR1 format

<r> ::= 1-2 in NR1 format

The :MEASure:VMAX command installs a screen measurement and starts a maximum vertical value measurement. If the optional source parameter is specified, the current source is modified.

**Query Syntax** :MEASure:VMAX? [<source>]

The :MEASure:VMAX? query measures and outputs the maximum vertical value present on the selected waveform.

**Return Format** <value><NL>

<value> ::= maximum vertical value of the selected waveform in NR3 format

- See Also**
- ["Introduction to :MEASure Commands"](#) on page 428
  - [":MEASure:SOURce"](#) on page 468
  - [":MEASure:VMIN"](#) on page 484
  - [":MEASure:VPP"](#) on page 485
  - [":MEASure:VTOP"](#) on page 489

## :MEASure:VMIN

**C** (see [page 1172](#))

**Command Syntax** :MEASure:VMIN [<source>]

<source> ::= {CHANnel<n> | FUNction | MATH | WMEMory<r>}

<n> ::= 1 to (# analog channels) in NR1 format

<r> ::= 1-2 in NR1 format

The :MEASure:VMIN command installs a screen measurement and starts a minimum vertical value measurement. If the optional source parameter is specified, the current source is modified.

**Query Syntax** :MEASure:VMIN? [<source>]

The :MEASure:VMIN? query measures and outputs the minimum vertical value present on the selected waveform.

**Return Format** <value><NL>

<value> ::= minimum vertical value of the selected waveform in NR3 format

- See Also**
- ["Introduction to :MEASure Commands"](#) on page 428
  - [":MEASure:SOURce"](#) on page 468
  - [":MEASure:VBASe"](#) on page 482
  - [":MEASure:VMAX"](#) on page 483
  - [":MEASure:VPP"](#) on page 485

## :MEASure:VPP

**C** (see [page 1172](#))

**Command Syntax** :MEASure:VPP [<source>]

<source> ::= {CHANnel<n> | FUNCTION | MATH | WMemory<r>}

<n> ::= 1 to (# analog channels) in NR1 format

<r> ::= 1-2 in NR1 format

The :MEASure:VPP command installs a screen measurement and starts a vertical peak-to-peak measurement. If the optional source parameter is specified, the current source is modified.

**Query Syntax** :MEASure:VPP? [<source>]

The :MEASure:VPP? query measures the maximum and minimum vertical value for the selected source, then calculates the vertical peak-to-peak value and returns that value. The peak-to-peak value (Vpp) is calculated with the following formula:

$$V_{pp} = V_{max} - V_{min}$$

Vmax and Vmin are the vertical maximum and minimum values present on the selected source.

**Return Format** <value><NL>

<value> ::= vertical peak to peak value in NR3 format

- See Also**
- ["Introduction to :MEASure Commands"](#) on page 428
  - [":MEASure:SOURce"](#) on page 468
  - [":MEASure:VMAX"](#) on page 483
  - [":MEASure:VMIN"](#) on page 484
  - [":MEASure:VAMPLitude"](#) on page 480

## :MEASure:VRATio

**N** (see [page 1172](#))

**Command Syntax** :MEASure:VRATio [<interval>] [,] [<source1>] [, <source2>]

<interval> ::= {CYCLe | DISPlay}

<source1,2> ::= {CHANnel<n> | FUNCTion | MATH | WMEMory<r>}

<n> ::= 1 to (# analog channels) in NR1 format

<r> ::= 1-2 in NR1 format

The :MEASure:VRATio command installs a ratio measurement on screen. Ratio measurements show the ratio of the ACRMS value of source1 to that of source2, expressed in dB.

The <interval> option lets you specify the measurement interval: either an integral number of cycles, or the full screen. If <interval> is not specified, DISPlay is implied.

### NOTE

This command is not available if the source is FFT (Fast Fourier Transform).

**Query Syntax** :MEASure:VRATio? [<interval>] [<source1>] [, <source2>]

The :MEASure:VRATio? query measures and returns the ratio of AC RMS values of the specified sources expressed as dB.

**Return Format** <value><NL>

<value> ::= the ratio value in dB in NR3 format

- See Also**
- ["Introduction to :MEASure Commands"](#) on page 428
  - [":MEASure:VRMS"](#) on page 487
  - [":MEASure:SOURce"](#) on page 468

## :MEASure:VRMS

**C** (see [page 1172](#))

**Command Syntax** :MEASure:VRMS [<interval>] [,] [<type>] [,] [<source>]  
 <interval> ::= {CYCLe | DISPlay}  
 <type> ::= {AC | DC}  
 <source> ::= {CHANnel<n> | FUNction | MATH | WMEMory<r>}  
 <n> ::= 1-2 or 1-4 (# of analog channels) in NR1 format  
 <r> ::= 1-2 in NR1 format

The :MEASure:VRMS command installs a screen measurement and starts an RMS value measurement. If the optional source parameter is specified, the current source is modified.

The <interval> option lets you specify the measurement interval: either an integral number of cycles, or the full screen. If <interval> is not specified, DISPlay is implied.

The <type> option lets you choose between a DC RMS measurement and an AC RMS measurement. If <type> is not specified, DC is implied.

**NOTE**

This command is not available if the source is FFT (Fast Fourier Transform).

**Query Syntax** :MEASure:VRMS? [<interval>] [,] [<type>] [,] [<source>]

The :MEASure:VRMS? query measures and outputs the dc RMS value of the selected waveform. The dc RMS value is measured on an integral number of periods of the displayed signal. If at least three edges are not present, the oscilloscope computes the RMS value on all displayed data points.

**Return Format** <value><NL>  
 <value> ::= calculated dc RMS value in NR3 format

- See Also**
- ["Introduction to :MEASure Commands"](#) on page 428
  - [":MEASure:SOURce"](#) on page 468

## :MEASure:VTIME

**N** (see [page 1172](#))

**Query Syntax** :MEASure:VTIME? <vtime\_argument>[, <source>]  
 <vtime\_argument> ::= time from trigger in seconds  
 <source> ::= {<digital channels> | CHANnel<n> | FUNction | MATH  
 | WMEMory<r>}  
 <digital channels> ::= DIGital<d> for the MSO models  
 <n> ::= 1 to (# of analog channels) in NR1 format  
 <r> ::= 1-2 in NR1 format  
 <d> ::= 0 to (# digital channels - 1) in NR1 format

The :MEASure:VTIME? query returns the value at a specified time on the source specified with :MEASure:SOURce. The specified time must be on the screen and is referenced to the trigger event. If the optional source parameter is specified, the current source is modified.

**NOTE**

This query is not available if the source is FFT (Fast Fourier Transform).

**Return Format** <value><NL>  
 <value> ::= value at the specified time in NR3 format

- See Also**
- ["Introduction to :MEASure Commands"](#) on page 428
  - [":MEASure:SOURce"](#) on page 468
  - [":MEASure:TEDGe"](#) on page 476
  - [":MEASure:TVALue"](#) on page 478



## :MEASure:VTOP

**C** (see [page 1172](#))

**Command Syntax** :MEASure:VTOP [<source>]  
 <source> ::= {CHANnel<n> | FUNction | MATH}  
 <n> ::= 1-2 or 1-4 (# of analog channels) in NR1 format  
 <r> ::= 1-2 in NR1 format

The :MEASure:VTOP command installs a screen measurement and starts a waveform top value measurement.

**NOTE**

This query is not available if the source is FFT (Fast Fourier Transform).

**Query Syntax** :MEASure:VTOP? [<source>]

The :MEASure:VTOP? query returns the vertical value at the top of the waveform. The top value of the pulse is normally not the same as the maximum value.

**Return Format** <value><NL>  
 <value> ::= vertical value at the top of the waveform in NR3 format

- See Also**
- ["Introduction to :MEASure Commands"](#) on page 428
  - [":MEASure:SOURce"](#) on page 468
  - [":MEASure:VMAX"](#) on page 483
  - [":MEASure:VAMPLitude"](#) on page 480
  - [":MEASure:VBASe"](#) on page 482

## :MEASure:WINDow

**N** (see [page 1172](#))

**Command Syntax** :MEASure:WINDow <type>

<type> ::= {MAIN | ZOOM | AUTO}

When the zoomed time base is displayed, the :MEASure:WINDow command lets you specify the measurement window:

- MAIN – the measurement window is the upper, Main window.
- ZOOM – the measurement window is the lower, Zoom window.
- AUTO – the measurement is attempted in the lower, Zoom window; if it cannot be made there, the upper, Main window is used.

**Query Syntax** :MEASure:WINDow?

The :MEASure:WINDow? query returns the current measurement window setting.

**Return Format** <type><NL>

<type> ::= {MAIN | ZOOM | AUTO}

- See Also**
- ["Introduction to :MEASure Commands"](#) on page 428
  - [":MEASure:SOURce"](#) on page 468

## :MEASure:XMAX

**N** (see [page 1172](#))

**Command Syntax** :MEASure:XMAX [<source>]  
 <source> ::= {CHANnel<n> | FUNction | MATH | WMEMory<r>}  
 <n> ::= 1-2 or 1-4 (# of analog channels) in NR1 format  
 <r> ::= 1-2 in NR1 format

The :MEASure:XMAX command installs a screen measurement and starts an X-at-Max-Y measurement on the selected window. If the optional source parameter is specified, the current source is modified.

**NOTE**

:MEASure:XMAX is an alias for :MEASure:TMAX.

**Query Syntax** :MEASure:XMAX? [<source>]

The :MEASure:XMAX? query measures and returns the horizontal axis value at which the maximum vertical value occurs. If the optional source is specified, the current source is modified.

**Return Format** <value><NL>  
 <value> ::= horizontal value of the maximum in NR3 format

- See Also**
- ["Introduction to :MEASure Commands"](#) on page 428
  - [":MEASure:XMIN"](#) on page 492
  - [":MEASure:TMAX"](#) on page 1106

## :MEASure:XMIn

**N** (see [page 1172](#))

**Command Syntax** :MEASure:XMIn [<source>]  
 <source> ::= {CHANnel<n> | FUNction | MATH | WMEemory<r>}  
 <n> ::= 1-2 or 1-4 (# of analog channels) in NR1 format  
 <r> ::= 1-2 in NR1 format

The :MEASure:XMIn command installs a screen measurement and starts an X-at-Min-Y measurement on the selected window. If the optional source parameter is specified, the current source is modified.

**NOTE**

:MEASure:XMIn is an alias for :MEASure:TMin.

**Query Syntax** :MEASure:XMIn? [<source>]

The :MEASure:XMIn? query measures and returns the horizontal axis value at which the minimum vertical value occurs. If the optional source is specified, the current source is modified.

**Return Format** <value><NL>  
 <value> ::= horizontal value of the minimum in NR3 format

- See Also**
- ["Introduction to :MEASure Commands"](#) on page 428
  - [":MEASure:XMAX"](#) on page 491
  - [":MEASure:TMin"](#) on page 1107

## 21 :MEASure Power Commands

These :MEASure commands are available when the DSOX3PWR power measurements and analysis application is licensed and enabled.

**Table 94** :MEASure Power Commands Summary

Command	Query	Options and Query Returns
:MEASure:ANGLE [<source1>] [, <source2 >] (see <a href="#">page 496</a> )	:MEASure:ANGLE? [<source1>] [, <source2 >] (see <a href="#">page 496</a> )	<source1>, <source2> ::= {CHANnel<n>}  <n> ::= 1 to (# analog channels) in NR1 format  <return_value> ::= the power phase angle in degrees in NR3 format
:MEASure:APParent [<source1>] [, <source2 >] (see <a href="#">page 497</a> )	:MEASure:APParent? [<source1>] [, <source2 >] (see <a href="#">page 497</a> )	<source1>, <source2> ::= {CHANnel<n>}  <n> ::= 1 to (# analog channels) in NR1 format  <return_value> ::= the apparent power value in NR3 format
:MEASure:CPLoss [<source1>] [, <source2 >] (see <a href="#">page 498</a> )	:MEASure:CPLoss? [<source1>] [, <source2 >] (see <a href="#">page 498</a> )	<source1>, <source2>  <source1> ::= {FUNCTION   MATH} <source2> ::= {CHANnel<n>}  <n> ::= 1 to (# analog channels) in NR1 format  <return_value> ::= the switching loss per cycle watts value in NR3 format
:MEASure:CRESt [<source>] (see <a href="#">page 499</a> )	:MEASure:CRESt? [<source>] (see <a href="#">page 499</a> )	<source> ::= {CHANnel<n>  FUNCTION   MATH}  <n> ::= 1 to (# analog channels) in NR1 format  <return_value> ::= the crest factor value in NR3 format

**Table 94** :MEASure Power Commands Summary (continued)

Command	Query	Options and Query Returns
:MEASure:EFFiciency (see <a href="#">page 500</a> )	:MEASure:EFFiciency? (see <a href="#">page 500</a> )	<return_value> ::= percent value in NR3 format
:MEASure:ELOSs [<source>] (see <a href="#">page 501</a> )	:MEASure:ELOSs? [<source>] (see <a href="#">page 501</a> )	<source> ::= {CHANnel<n>  FUNction   MATH   WMEMory<r>} <n> ::= 1 to (# analog channels) in NR1 format <r> ::= 1-2 in NR1 format <return_value> ::= the energy loss value in NR3 format
:MEASure:FACTOR [<source1>] [,<source2 >] (see <a href="#">page 502</a> )	:MEASure:FACTOR? [<source1>] [,<source2 >] (see <a href="#">page 502</a> )	<source1>, <source2> ::= {CHANnel<n>} <n> ::= 1 to (# analog channels) in NR1 format <return_value> ::= the power factor value in NR3 format
:MEASure:IPower (see <a href="#">page 503</a> )	:MEASure:IPower? (see <a href="#">page 503</a> )	<return_value> ::= the input power value in NR3 format
:MEASure:OFFTime [<source1>] [,<source2 >] (see <a href="#">page 504</a> )	:MEASure:OFFTime? [<source1>] [,<source2 >] (see <a href="#">page 504</a> )	<source1>, <source2> ::= {CHANnel<n>} <n> ::= 1 to (# analog channels) in NR1 format <return_value> ::= the time in seconds in NR3 format
:MEASure:ONTime [<source1>] [,<source2 >] (see <a href="#">page 505</a> )	:MEASure:ONTime? [<source1>] [,<source2 >] (see <a href="#">page 505</a> )	<source1>, <source2> ::= {CHANnel<n>} <n> ::= 1 to (# analog channels) in NR1 format <return_value> ::= the time in seconds in NR3 format
:MEASure:OPower (see <a href="#">page 506</a> )	:MEASure:OPower? (see <a href="#">page 506</a> )	<return_value> ::= the output power value in NR3 format
:MEASure:PCURrent [<source>] (see <a href="#">page 507</a> )	:MEASure:PCURrent? [<source>] (see <a href="#">page 507</a> )	<source> ::= {CHANnel<n>  FUNction   MATH   WMEMory<r>} <n> ::= 1 to (# analog channels) in NR1 format <r> ::= 1-2 in NR1 format <return_value> ::= the peak current value in NR3 format

**Table 94** :MEASure Power Commands Summary (continued)

Command	Query	Options and Query Returns
:MEASure:PLOSS [<source>] (see page 508)	:MEASure:PLOSS? [<source>] (see page 508)	<source> ::= {CHANnel<n>  FUNction   MATH   WMemory<r>}  <n> ::= 1 to (# analog channels) in NR1 format  <r> ::= 1-2 in NR1 format  <return_value> ::= the power loss value in NR3 format
:MEASure:REACTIVE [<source1>] [, <source2 >] (see page 509)	:MEASure:REACTIVE? [<source1>] [, <source2 >] (see page 509)	<source1>, <source2> ::= {CHANnel<n>}  <n> ::= 1 to (# analog channels) in NR1 format  <return_value> ::= the reactive power value in NR3 format
:MEASure:REAL [<source>] (see page 510)	:MEASure:REAL? [<source>] (see page 510)	<source> ::= {CHANnel<n>  FUNction   MATH}  <n> ::= 1 to (# analog channels) in NR1 format  <return_value> ::= the real power value in NR3 format
:MEASure:RIPPLE [<source>] (see page 511)	:MEASure:RIPPLE? [<source>] (see page 511)	<source> ::= {CHANnel<n>  FUNction   MATH   WMemory<r>}  <n> ::= 1 to (# analog channels) in NR1 format  <r> ::= 1-2 in NR1 format  <return_value> ::= the output ripple value in NR3 format
:MEASure:TRESPONSE [<source>] (see page 512)	:MEASure:TRESPONSE? [<source>] (see page 512)	<source> ::= {CHANnel<n>  FUNction   MATH   WMemory<r>}  <n> ::= 1 to (# analog channels) in NR1 format  <r> ::= 1-2 in NR1 format  <return_value> ::= time in seconds for the overshoot to settle back into the band in NR3 format

## :MEASure:ANGLE

**N** (see [page 1172](#))

**Command Syntax** :MEASure:ANGLE [<source1>] [,<source2>]

<source1>, <source2> ::= {CHANnel<n>}

<n> ::= 1 to (# analog channels) in NR1 format

The :MEASure:ANGLE command installs a power phase angle measurement on screen.

The <source1> parameter is the channel probing voltage and the <source2> parameter is the channel probing current. These sources can also be specified by the :MEASure:SOURce command.

Phase angle is a measure of power quality. In the *power triangle* (the right triangle where  $\text{apparent\_power}^2 = \text{real\_power}^2 + \text{reactive\_power}^2$ ), phase angle is the angle between the apparent power and the real power, indicating the amount of reactive power. Small phase angles equate to less reactive power.

**Query Syntax** :MEASure:ANGLE? [<source1>] [,<source2>]

The :MEASure:ANGLE query returns the measured power phase angle in degrees.

**Return Format** <return\_value><NL>

<return\_value> ::= the power phase angle in degrees in NR3 format

- See Also**
- [":MEASure:SOURce"](#) on page 468
  - [":POWer:QUALity:TYPE"](#) on page 587
  - [":POWer:QUALity:APPLY"](#) on page 586



## :MEASure:APParent

**N** (see [page 1172](#))

**Command Syntax** :MEASure:APParent [<source1>][,<source2>]

<source1>, <source2> ::= {CHANnel<n>}

<n> ::= 1 to (# analog channels) in NR1 format

The :MEASure:APParent command installs an apparent power measurement on screen.

The <source1> parameter is the channel probing voltage and the <source2> parameter is the channel probing current. These sources can also be specified by the :MEASure:SOURce command.

Apparent power is a measure of power quality. It is the portion of AC line power flow due to stored energy which returns to the source in each cycle.

$IRMS * VRMS$

**Query Syntax** :MEASure:APParent? [<source1>][,<source2>]

The :MEASure:APParent query returns the measured apparent power.

**Return Format** <return\_value><NL>

<return\_value> ::= the apparent power value in NR3 format

- See Also**
- [":MEASure:SOURce"](#) on page 468
  - [":POWER:QUALity:TYPE"](#) on page 587
  - [":POWER:QUALity:APPLY"](#) on page 586

## :MEASure:CPLoss

**N** (see [page 1172](#))

**Command Syntax** :MEASure:CPLoss [<source1>] [,<source2>]

<source1> ::= {FUNction | MATH}

<source2> ::= {CHANnel<n>}

<n> ::= 1 to (# analog channels) in NR1 format

The :MEASure:CPLoss command installs a power loss per cycle measurement on screen.

The <source1> parameter is typically a math multiply waveform or other waveform that represents power (voltage \* current). This source can also be specified by the :MEASure:SOURce command.

Power loss per cycle is  $P_n = (V_{dsn} * I_{dn}) * (\text{Time range of zoom window}) * (\text{Counter measurement of the voltage of the switching signal})$ , where n is each sample.

This measurement operates when in zoom mode and the counter measurement is installed on the voltage of the switching signal.

**Query Syntax** :MEASure:CPLoss? [<source1>] [,<source2>]

The :MEASure:CPLoss query returns the switching loss per cycle in watts.

**Return Format** <return\_value><NL>

<return\_value> ::= the switching loss per cycle value in NR3 format

- See Also**
- [":MEASure:SOURce"](#) on page 468
  - [":POWer:SWITCh:APPLY"](#) on page 610

## :MEASure:CRESt

**N** (see [page 1172](#))

**Command Syntax** :MEASure:CRESt [<source>]

<source> ::= {CHANnel<n>| FUNCTION | MATH}

<n> ::= 1 to (# analog channels) in NR1 format

The :MEASure:CRESt command installs a crest factor measurement on screen.

The <source> parameter is the channel probing current or voltage. This source can also be specified by the :MEASure:SOURce command.

Crest factor is a measure of power quality. It is the ratio between the instantaneous peak AC line current (or voltage) required by the load and the RMS current (or voltage). For example: Ipeak / IRMS or Vpeak / VRMS.

**Query Syntax** :MEASure:CRESt? [<source>]

The :MEASure:CRESt query returns the measured crest factor.

**Return Format** <return\_value><NL>

<return\_value> ::= the crest factor value in NR3 format

- See Also**
- [":MEASure:SOURce"](#) on page 468
  - [":POWER:QUALity:TYPE"](#) on page 587
  - [":POWER:QUALity:APPLY"](#) on page 586

## :MEASure:EFFiciency

**N** (see [page 1172](#))

**Command Syntax** :MEASure:EFFiciency

The :MEASure:EFFiciency command installs an efficiency (output power / input power) measurement on screen.

Before sending this command or query, you must specify the channels probing the input voltage, input current, output voltage, and output current (using the :POWer:SIGNals:SOURce:VOLTage<i> and :POWer:SIGNals:SOURce:CURRent<i> commands) and you must perform the automated signals setup (using the :POWer:SIGNals:AUTosetup EFFiciency command).

**Query Syntax** :MEASure:EFFiciency?

The :MEASure:EFFiciency query returns the measured efficiency as a percent value.

**Return Format** <return\_value><NL>

<return\_value> ::= percent value in NR3 format

- See Also**
- [":POWer:SIGNals:SOURce:VOLTage<i>"](#) on page 607
  - [":POWer:SIGNals:SOURce:CURRent<i>"](#) on page 606
  - [":POWer:SIGNals:AUTosetup"](#) on page 589
  - [":POWer:EFFiciency:APPLY"](#) on page 560

## :MEASure:ELOSs

**N** (see [page 1172](#))

**Command Syntax** :MEASure:ELOSs [<source>]  
 <source> ::= {CHANnel<n>| FUNction | MATH | WMEMory<r>}  
 <n> ::= 1 to (# analog channels) in NR1 format  
 <r> ::= 1-2 in NR1 format

The :MEASure:ELOSs command installs an energy loss measurement on screen.

The <source> parameter is typically a math multiply waveform or other waveform that represents power (voltage \* current). This source can also be specified by the :MEASure:SOURce command.

Energy loss =  $\sum (Vds_n * Id_n) * \text{sample size}$ , where n is each sample.

**Query Syntax** :MEASure:ELOSs? [<source>]

The :MEASure:ELOSs query returns the switching loss in joules.

**Return Format** <return\_value><NL>  
 <return\_value> ::= the energy loss value in NR3 format

- See Also**
- [":MEASure:SOURce"](#) on page 468
  - [":POWer:SWITCh:APPLY"](#) on page 610

## :MEASure:FACTor

**N** (see [page 1172](#))

**Command Syntax** :MEASure:FACTor [<source1>] [,<source2>]

<source1>, <source2> ::= {CHANnel<n>}

<n> ::= 1 to (# analog channels) in NR1 format

The :MEASure:FACTor command installs a power factor measurement on screen.

The <source1> parameter is the channel probing voltage and the <source2> parameter is the channel probing current. These sources can also be specified by the :MEASure:SOURce command.

Power factor is a measure of power quality. It is the ratio of the actual AC line power to the apparent power:

Real Power / Apparent Power

**Query Syntax** :MEASure:FACTor? [<source1>] [,<source2>]

The :MEASure:FACTor query returns the measured power factor.

**Return Format** <return\_value><NL>

<return\_value> ::= the power factor value in NR3 format

- See Also**
- [":MEASure:SOURce"](#) on page 468
  - [":POWER:QUALity:TYPE"](#) on page 587
  - [":POWER:QUALity:APPLY"](#) on page 586

## :MEASure:IPower

**N** (see [page 1172](#))

**Command Syntax** :MEASure:IPower

The :MEASure:IPower command installs an input power measurement on screen.

Before sending this command or query, you must specify the channels probing the input voltage, input current, output voltage, and output current (using the :POWer:SIGNals:SOURce:VOLTage<i> and :POWer:SIGNals:SOURce:CURRent<i> commands) and you must perform the automated signals setup (using the :POWer:SIGNals:AUTosetup EFFiciency command).

**Query Syntax** :MEASure:IPower?

The :MEASure:IPower query returns the measured input power.

**Return Format** <return\_value><NL>

<return\_value> ::= the input power value in NR3 format

- See Also**
- [":POWer:SIGNals:SOURce:VOLTage<i>"](#) on page 607
  - [":POWer:SIGNals:SOURce:CURRent<i>"](#) on page 606
  - [":POWer:SIGNals:AUTosetup"](#) on page 589
  - [":POWer:EFFiciency:APPLY"](#) on page 560

## :MEASure:OFFTime

**N** (see [page 1172](#))

**Command Syntax** :MEASure:OFFTime [<source1>] [,<source2>]

<source1>, <source2> ::= {CHANnel<n>}

<n> ::= 1 to (# analog channels) in NR1 format

The :MEASure:OFFTime command installs an "off time" measurement on screen.

Turn off time measures the difference of time between when the input AC Voltage last falls to 10% of its maximum amplitude to the time when the output DC Voltage last falls to 10% of its maximum amplitude.

The <source1> parameter is the AC Voltage and the <source2> parameter is the DC Voltage. These sources can also be specified by the :MEASure:SOURce command.

**Query Syntax** :MEASure:OFFTime? [<source1>] [,<source2>]

The :MEASure:OFFTime query returns the measured turn off time.

**Return Format** <return\_value><NL>

<return\_value> ::= the time in seconds in NR3 format

- See Also**
- [":MEASure:SOURce"](#) on page 468
  - [":POWer:ONOff:TEST"](#) on page 581
  - [":POWer:ONOff:APPLY"](#) on page 578



## :MEASure:ONTime

**N** (see [page 1172](#))

**Command Syntax** :MEASure:ONTime [<source1>] [,<source2>]

<source1>, <source2> ::= {CHANnel<n>}

<n> ::= 1 to (# analog channels) in NR1 format

The :MEASure:ONTime command installs an "on time" measurement on screen.

Turn on time measures the difference of time between when the input AC Voltage first rises to 10% of its maximum amplitude to the time when the output DC Voltage rises to 90% of its maximum amplitude.

The <source1> parameter is the AC Voltage and the <source2> parameter is the DC Voltage. These sources can also be specified by the :MEASure:SOURce command.

**Query Syntax** :MEASure:ONTime? [<source1>] [,<source2>]

The :MEASure:ONTime query returns the measured turn off time.

**Return Format** <return\_value><NL>

<return\_value> ::= the time in seconds in NR3 format

- See Also**
- [":MEASure:SOURce"](#) on page 468
  - [":POWer:ONOff:TEST"](#) on page 581
  - [":POWer:ONOff:APPLY"](#) on page 578

**:MEASure:OPOWer**

**N** (see [page 1172](#))

**Command Syntax** :MEASure:OPOWer

The :MEASure:OPOWer command installs an output power measurement on screen.

Before sending this command or query, you must specify the channels probing the input voltage, input current, output voltage, and output current (using the :POWer:SIGNals:SOURce:VOLTage<i></i> and :POWer:SIGNals:SOURce:CURRent<i></i> commands) and you must perform the automated signals setup (using the :POWer:SIGNals:AUTosetup EFFiciency command).

**Query Syntax** :MEASure:OPOWer?

The :MEASure:OPOWer query returns the measured output power.

**Return Format** <return\_value><NL>

<return\_value> ::= the output power value in NR3 format

- See Also**
- [":POWer:SIGNals:SOURce:VOLTage<i></i>"](#) on page 607
  - [":POWer:SIGNals:SOURce:CURRent<i></i>"](#) on page 606
  - [":POWer:SIGNals:AUTosetup"](#) on page 589
  - [":POWer:EFFiciency:APPLY"](#) on page 560

## :MEASure:PCURrent

**N** (see [page 1172](#))

**Command Syntax** :MEASure:PCURrent [<source>]

<source> ::= {CHANnel<n>| FUNCTION | MATH | WMEMory<r>}

<n> ::= 1 to (# analog channels) in NR1 format

<r> ::= 1-2 in NR1 format

The :MEASure:PCURrent command installs a peak current measurement on screen.

The <source> parameter is the channel probing the current. This source can also be specified by the :MEASure:SOURce command.

This command measures the peak current when the power supply first turned on.

**Query Syntax** :MEASure:PCURrent? [<source>]

The :MEASure:PCURrent query returns the measured peak current.

**Return Format** <return\_value><NL>

<return\_value> ::= the peak current value in NR3 format

- See Also**
- [":MEASure:SOURce"](#) on page 468
  - [":POWER:INRush:APPLY"](#) on page 572

## :MEASure:PLOSs

**N** (see [page 1172](#))

**Command Syntax** :MEASure:PLOSs [<source>]

<source> ::= {CHANnel<n> | FUNction | MATH | WMEMory<r>}

<n> ::= 1 to (# analog channels) in NR1 format

<r> ::= 1-2 in NR1 format

The :MEASure:PLOSs command installs a power loss measurement on screen.

The <source> parameter is typically a math multiply waveform or other waveform that represents power (voltage \* current). This source can also be specified by the :MEASure:SOURce command.

Power loss is  $P_n = V_{ds_n} * I_{d_n}$ , where n is each sample.

**Query Syntax** :MEASure:PLOSs? [<source>]

The :MEASure:PLOSs query returns the switching loss in watts.

**Return Format** <return\_value><NL>

<return\_value> ::= the power loss value in NR3 format

- See Also**
- [":MEASure:SOURce"](#) on page 468
  - [":POWer:SWITCh:APPLY"](#) on page 610

## :MEASure:REACTIVE

**N** (see [page 1172](#))

**Command Syntax** :MEASure:REACTIVE [<source1>][,<source2>]

<source1>, <source2> ::= {CHANnel<n>}

<n> ::= 1 to (# analog channels) in NR1 format

The :MEASure:REACTIVE command installs a reactive power measurement on screen.

The <source1> parameter is the channel probing voltage and the <source2> parameter is the channel probing current. These sources can also be specified by the :MEASure:SOURce command.

Reactive power is a measure of power quality. It is the difference between apparent power and real power due to reactance. Using the *power triangle* (the right triangle where  $\text{apparent\_power}^2 = \text{real\_power}^2 + \text{reactive\_power}^2$ ):

$$\text{Reactive Power} = \sqrt{\text{Apparent Power}^2 - \text{Real Power}^2}$$

Reactive power is measured in VAR (Volts-Amps-Reactive).

**Query Syntax** :MEASure:REACTIVE? [<source1>][,<source2>]

The :MEASure:REACTIVE query returns the measured reactive power.

**Return Format** <return\_value><NL>

<return\_value> ::= the reactive power value in NR3 format

- See Also**
- [":MEASure:SOURce"](#) on page 468
  - [":POWER:QUALity:TYPE"](#) on page 587
  - [":POWER:QUALity:APPLY"](#) on page 586

**:MEASure:REAL**

**N** (see [page 1172](#))

**Command Syntax** :MEASure:REAL [<source>]

<source> ::= {CHANnel<n> | FUNction | MATH}

<n> ::= 1 to (# analog channels) in NR1 format

The :MEASure:REAL command installs a real power measurement on screen.

The <source> parameter is typically a math multiply waveform or other waveform that represents power (voltage \* current). This source can also be specified by the :MEASure:SOURce command.

Real power is a measure of power quality. It is the portion of power flow that, averaged over a complete cycle of the AC waveform, results in net transfer of energy in one direction.

$$\text{Real Power} = \sqrt{\frac{1}{N} \sum_{n=0}^{N-1} V_n I_n}$$

**Query Syntax** :MEASure:REAL? [<source>]

The :MEASure:REAL query returns the measured real power.

**Return Format** <return\_value><NL>

<return\_value> ::= the real power value in NR3 format

- See Also**
- [":MEASure:SOURce"](#) on page 468
  - [":POWER:QUALity:TYPE"](#) on page 587
  - [":POWER:QUALity:APPLY"](#) on page 586

## :MEASure:RIPple

**N** (see [page 1172](#))

**Command Syntax** :MEASure:RIPple [<source>]  
 <source> ::= {CHANnel<n> | FUNction | MATH | WMEMory<r>}  
 <n> ::= 1 to (# analog channels) in NR1 format  
 <r> ::= 1-2 in NR1 format

The :MEASure:RIPple command installs an output ripple measurement on screen.

The <source> parameter is the channel probing the output voltage. This source can also be specified by the :MEASure:SOURce command.

Output ripple is:  $V_{max} - V_{min}$ .

**Query Syntax** :MEASure:RIPple? [<source>]

The :MEASure:RIPple query returns the measured output ripple.

**Return Format** <return\_value><NL>  
 <return\_value> ::= the output ripple value in NR3 format

- See Also**
- [":MEASure:SOURce"](#) on page 468
  - [":POWer:RIPple:APPLY"](#) on page 588

## :MEASure:TRESponse

**N** (see [page 1172](#))

**Command Syntax** :MEASure:TRESponse [<source>]

<source> ::= {CHANnel<n> | FUNCTION | MATH | WMEMory<r>}

<n> ::= 1 to (# analog channels) in NR1 format

<r> ::= 1-2 in NR1 format

The :MEASure:TRESponse command installs a transient response time measurement on screen.

The <source> parameter is the channel probing the output voltage. This source can also be specified by the :MEASure:SOURce command.

Transient response time =  $t_2 - t_1$ , where:

- $t_1$  = The first time a voltage waveform exits the settling band.
- $t_2$  = The last time it enters into the settling band.
- Settling band = +/-overshoot % of the steady state output voltage.

**Query Syntax** :MEASure:TRESponse? [<source>]

The :MEASure:TRESponse query returns the measured transient response time.

**Return Format** <return\_value><NL>

<return\_value> ::= time in seconds for the overshoot to settle back into the band in NR3 format

- See Also**
- [":MEASure:SOURce"](#) on page 468
  - [":POWer:TRANsient:APPLY"](#) on page 616



## 22 :MTEST Commands

The MTEST subsystem commands and queries control the mask test features. See "[Introduction to :MTEST Commands](#)" on page 515.

**Table 95** :MTEST Commands Summary

Command	Query	Options and Query Returns
:MTEST:ALL {{0   OFF}   {1   ON}} (see <a href="#">page 518</a> )	:MTEST:ALL? (see <a href="#">page 518</a> )	{0   1}
:MTEST:AMASK:CREate (see <a href="#">page 519</a> )	n/a	n/a
:MTEST:AMASK:SOURce <source> (see <a href="#">page 520</a> )	:MTEST:AMASK:SOURce? (see <a href="#">page 520</a> )	<source> ::= CHANNEL<n> <n> ::= {1   2   3   4} for 4ch models <n> ::= {1   2} for 2ch models
:MTEST:AMASK:UNITs <units> (see <a href="#">page 521</a> )	:MTEST:AMASK:UNITs? (see <a href="#">page 521</a> )	<units> ::= {CURRENT   DIVISIONS}
:MTEST:AMASK:XDELta <value> (see <a href="#">page 522</a> )	:MTEST:AMASK:XDELta? (see <a href="#">page 522</a> )	<value> ::= X delta value in NR3 format
:MTEST:AMASK:YDELta <value> (see <a href="#">page 523</a> )	:MTEST:AMASK:YDELta? (see <a href="#">page 523</a> )	<value> ::= Y delta value in NR3 format
n/a	:MTEST:COUNT:FWAVEforms? [CHANNEL<n>] (see <a href="#">page 524</a> )	<failed> ::= number of failed waveforms in NR1 format
:MTEST:COUNT:RESet (see <a href="#">page 525</a> )	n/a	n/a
n/a	:MTEST:COUNT:TIME? (see <a href="#">page 526</a> )	<time> ::= elapsed seconds in NR3 format
n/a	:MTEST:COUNT:WAVEforms? (see <a href="#">page 527</a> )	<count> ::= number of waveforms in NR1 format
:MTEST:DATA <mask> (see <a href="#">page 528</a> )	:MTEST:DATA? (see <a href="#">page 528</a> )	<mask> ::= data in IEEE 488.2 # format.

**Table 95** :MTESt Commands Summary (continued)

Command	Query	Options and Query Returns
:MTESt:DELeTe (see <a href="#">page 529</a> )	n/a	n/a
:MTESt:ENABLe {{0   OFF}   {1   ON}} (see <a href="#">page 530</a> )	:MTESt:ENABLe? (see <a href="#">page 530</a> )	{0   1}
:MTESt:LOCK {{0   OFF}   {1   ON}} (see <a href="#">page 531</a> )	:MTESt:LOCK? (see <a href="#">page 531</a> )	{0   1}
:MTESt:RMODE <rmode> (see <a href="#">page 532</a> )	:MTESt:RMODE? (see <a href="#">page 532</a> )	<rmode> ::= {FORever   TIME   SIGMa   WAVEforms}
:MTESt:RMODE:FACTION:MEASure {{0   OFF}   {1   ON}} (see <a href="#">page 533</a> )	:MTESt:RMODE:FACTION:MEASure? (see <a href="#">page 533</a> )	{0   1}
:MTESt:RMODE:FACTION:PRINT {{0   OFF}   {1   ON}} (see <a href="#">page 534</a> )	:MTESt:RMODE:FACTION:PRINT? (see <a href="#">page 534</a> )	{0   1}
:MTESt:RMODE:FACTION:SAVE {{0   OFF}   {1   ON}} (see <a href="#">page 535</a> )	:MTESt:RMODE:FACTION:SAVE? (see <a href="#">page 535</a> )	{0   1}
:MTESt:RMODE:FACTION:STOP {{0   OFF}   {1   ON}} (see <a href="#">page 536</a> )	:MTESt:RMODE:FACTION:STOP? (see <a href="#">page 536</a> )	{0   1}
:MTESt:RMODE:SIGMa <level> (see <a href="#">page 537</a> )	:MTESt:RMODE:SIGMa? (see <a href="#">page 537</a> )	<level> ::= from 0.1 to 9.3 in NR3 format
:MTESt:RMODE:TIME <seconds> (see <a href="#">page 538</a> )	:MTESt:RMODE:TIME? (see <a href="#">page 538</a> )	<seconds> ::= from 1 to 86400 in NR3 format
:MTESt:RMODE:WAVEform s <count> (see <a href="#">page 539</a> )	:MTESt:RMODE:WAVEform s? (see <a href="#">page 539</a> )	<count> ::= number of waveforms in NR1 format
:MTESt:SCALE:BIND {{0   OFF}   {1   ON}} (see <a href="#">page 540</a> )	:MTESt:SCALE:BIND? (see <a href="#">page 540</a> )	{0   1}
:MTESt:SCALE:X1 <x1_value> (see <a href="#">page 541</a> )	:MTESt:SCALE:X1? (see <a href="#">page 541</a> )	<x1_value> ::= X1 value in NR3 format
:MTESt:SCALE:XDELta <xdelta_value> (see <a href="#">page 542</a> )	:MTESt:SCALE:XDELta? (see <a href="#">page 542</a> )	<xdelta_value> ::= X delta value in NR3 format

**Table 95** :MTESt Commands Summary (continued)

Command	Query	Options and Query Returns
:MTESt:SCALe:Y1 <y1_value> (see page 543)	:MTESt:SCALe:Y1? (see page 543)	<y1_value> ::= Y1 value in NR3 format
:MTESt:SCALe:Y2 <y2_value> (see page 544)	:MTESt:SCALe:Y2? (see page 544)	<y2_value> ::= Y2 value in NR3 format
:MTESt:SOURce <source> (see page 545)	:MTESt:SOURce? (see page 545)	<source> ::= {CHANnel<n>   NONE} <n> ::= {1   2   3   4} for 4ch models <n> ::= {1   2} for 2ch models
n/a	:MTESt:TITLe? (see page 546)	<title> ::= a string of up to 128 ASCII characters

### Introduction to :MTESt Commands

Mask testing automatically compares the current displayed waveform with the boundaries of a set of polygons that you define. Any waveform or sample that falls within the boundaries of one or more polygons is recorded as a failure.

### Reporting the Setup

Use :MTESt? to query setup information for the MTESt subsystem.

### Return Format

The following is a sample response from the :MTESt? query. In this case, the query was issued following a \*RST command.

```
:MTES:SOUR CHAN1;ENAB 0;LOCK 1;:MTES:AMAS:SOUR CHAN1;UNIT DIV;XDEL
+2.50000000E-001;YDEL +2.50000000E-001;:MTES:SCAL:X1 +200.000E-06;XDEL
+400.000E-06;Y1 -3.00000E+00;Y2 +3.00000E+00;BIND 0;:MTES:RMOD
FOR;RMOD:TIME +1E+00;WAV 1000;SIGM +6.0E+00;:MTES:RMOD:FACT:STOP
0;PRIN 0;SAVE 0
```

### Example Code

```
' Mask testing commands example.
' -----
```

```
Option Explicit
```

```
Public myMgr As VisaComLib.ResourceManager
Public myScope As VisaComLib.FormattedIO488
Public varQueryResult As Variant
Public strQueryResult As String
```

```
Private Declare Sub Sleep Lib "kernel32" (ByVal dwMilliseconds As Long)
```

```
Sub Main()
```

```

On Error GoTo VisaComError

' Create the VISA COM I/O resource.
Set myMgr = New VisaComLib.ResourceManager
Set myScope = New VisaComLib.FormattedIO488
Set myScope.IO = _
    myMgr.Open("USB0::0x0957::0x17A6::US50210029::0::INSTR")
myScope.IO.Clear ' Clear the interface.

' Make sure oscilloscope is running.
myScope.WriteString ":RUN"

' Set mask test termination conditions.
myScope.WriteString ":MTESt:RMODe SIGMa"
myScope.WriteString ":MTESt:RMODe?"
strQueryResult = myScope.ReadString
Debug.Print "Mask test termination mode: " + strQueryResult

myScope.WriteString ":MTESt:RMODe:SIGMa 4.2"
myScope.WriteString ":MTESt:RMODe:SIGMa?"
varQueryResult = myScope.ReadNumber
Debug.Print "Mask test termination 'test sigma': " + _
    FormatNumber(varQueryResult)

' Use auto-mask to create mask.
myScope.WriteString ":MTESt:AMASk:SOURce CHANnel1"
myScope.WriteString ":MTESt:AMASk:SOURce?"
strQueryResult = myScope.ReadString
Debug.Print "Mask test auto-mask source: " + strQueryResult

myScope.WriteString ":MTESt:AMASk:UNITs DIVisions"
myScope.WriteString ":MTESt:AMASk:UNITs?"
strQueryResult = myScope.ReadString
Debug.Print "Mask test auto-mask units: " + strQueryResult

myScope.WriteString ":MTESt:AMASk:XDELta 0.1"
myScope.WriteString ":MTESt:AMASk:XDELta?"
varQueryResult = myScope.ReadNumber
Debug.Print "Mask test auto-mask X delta: " + _
    FormatNumber(varQueryResult)

myScope.WriteString ":MTESt:AMASk:YDELta 0.1"
myScope.WriteString ":MTESt:AMASk:YDELta?"
varQueryResult = myScope.ReadNumber
Debug.Print "Mask test auto-mask Y delta: " + _
    FormatNumber(varQueryResult)

' Enable "Auto Mask Created" event (bit 10, &H400)
myScope.WriteString "*CLS"
myScope.WriteString ":MTEenable " + CStr(CInt("&H400"))

' Create mask.
myScope.WriteString ":MTESt:AMASk:CREate"
Debug.Print "Auto-mask created, mask test automatically enabled."

' Set up timeout variables.

```

```

Dim lngTimeout As Long    ' Max millisecs to wait.
Dim lngElapsed As Long
lngTimeout = 60000    ' 60 seconds.

' Wait until mask is created.
lngElapsed = 0
Do While lngElapsed <= lngTimeout
    myScope.WriteString ":OPERRegister:CONditiOn?"
    varQueryResult = myScope.ReadNumber
    ' Operation Status Condition Register MTE bit (bit 9, &H200).
    If (varQueryResult And &H200) <> 0 Then
        Exit Do
    Else
        Sleep 100    ' Small wait to prevent excessive queries.
        lngElapsed = lngElapsed + 100
    End If
Loop

' Look for RUN bit = stopped (mask test termination).
lngElapsed = 0
Do While lngElapsed <= lngTimeout
    myScope.WriteString ":OPERRegister:CONditiOn?"
    varQueryResult = myScope.ReadNumber
    ' Operation Status Condition Register RUN bit (bit 3, &H8).
    If (varQueryResult And &H8) = 0 Then
        Exit Do
    Else
        Sleep 100    ' Small wait to prevent excessive queries.
        lngElapsed = lngElapsed + 100
    End If
Loop

' Get total waveforms, failed waveforms, and test time.
myScope.WriteString ":MTESt:COUNT:WAVEforms?"
strQueryResult = myScope.ReadString
Debug.Print "Mask test total waveforms: " + strQueryResult

myScope.WriteString ":MTESt:COUNT:FWAVEforms?"
strQueryResult = myScope.ReadString
Debug.Print "Mask test failed waveforms: " + strQueryResult

myScope.WriteString ":MTESt:COUNT:TIME?"
strQueryResult = myScope.ReadString
Debug.Print "Mask test elapsed seconds: " + strQueryResult

Exit Sub

VisaComError:
    MsgBox "VISA COM Error:" + vbCrLf + Err.Description

End Sub

```

## :MTESt:ALL

**N** (see [page 1172](#))

**Command Syntax** :MTESt:ALL <on\_off>  
 <on\_off> ::= {{1 | ON} | {0 | OFF}}

The :MTESt:ALL command specifies the channel(s) that are included in the mask test:

- ON – All displayed analog channels are included in the mask test.
- OFF – Just the selected source channel is included in the test.

**Query Syntax** :MTESt:ENABle?

The :MTESt:ENABle? query returns the current setting.

**Return Format** <on\_off><NL>  
 <on\_off> ::= {1 | 0}

**See Also** • ["Introduction to :MTESt Commands"](#) on page 515

## :MTESt:AMASk:CREate

**N** (see [page 1172](#))

**Command Syntax** :MTESt:AMASk:CREate

The :MTESt:AMASk:CREate command automatically constructs a mask around the current selected channel, using the tolerance parameters defined by the :MTESt:AMASk:XDELta, :MTESt:AMASk:YDELta, and :MTESt:AMASk:UNITs commands. The mask only encompasses the portion of the waveform visible on the display, so you must ensure that the waveform is acquired and displayed consistently to obtain repeatable results.

The :MTESt:SOURce command selects the channel and should be set before using this command.

- See Also**
- ["Introduction to :MTESt Commands"](#) on page 515
  - [":MTESt:AMASk:XDELta"](#) on page 522
  - [":MTESt:AMASk:YDELta"](#) on page 523
  - [":MTESt:AMASk:UNITs"](#) on page 521
  - [":MTESt:AMASk:SOURce"](#) on page 520
  - [":MTESt:SOURce"](#) on page 545

- Example Code**
- ["Example Code"](#) on page 515

## :MTESt:AMASk:SOURce

**N** (see [page 1172](#))

**Command Syntax** :MTESt:AMASk:SOURce <source>

<source> ::= CHANnel<n>

<n> ::= 1 to (# analog channels) in NR1 format

The :MTESt:AMASk:SOURce command selects the source for the interpretation of the :MTESt:AMASk:XDELta and :MTESt:AMASk:YDELta parameters when :MTESt:AMASk:UNITs is set to CURRent.

When UNITs are CURRent, the XDELta and YDELta parameters are defined in terms of the channel units, as set by the :CHANnel<n>:UNITs command, of the selected source.

Suppose that UNITs are CURRent and that you set SOURce to CHANNEL1, which is using units of volts. Then you can define AMASk:XDELta in terms of volts and AMASk:YDELta in terms of seconds.

This command is the same as the :MTESt:SOURce command.

**Query Syntax** :MTESt:AMASk:SOURce?

The :MTESt:AMASk:SOURce? query returns the currently set source.

**Return Format** <source> ::= CHAN<n>

<n> ::= 1 to (# analog channels) in NR1 format

- See Also**
- ["Introduction to :MTESt Commands"](#) on page 515
  - [":MTESt:AMASk:XDELta"](#) on page 522
  - [":MTESt:AMASk:YDELta"](#) on page 523
  - [":MTESt:AMASk:UNITs"](#) on page 521
  - [":MTESt:SOURce"](#) on page 545

**Example Code** • ["Example Code"](#) on page 515



## :MTESt:AMASK:UNITs

**N** (see [page 1172](#))

**Command Syntax** :MTESt:AMASK:UNITs <units>

<units> ::= {CURRENT | DIVisions}

The :MTESt:AMASK:UNITs command alters the way the mask test subsystem interprets the tolerance parameters for automasking as defined by :MTESt:AMASK:XDELta and :MTESt:AMASK:YDELta commands.

- CURRENT – the mask test subsystem uses the units as set by the :CHANnel<n>:UNITs command, usually time for  $\Delta X$  and voltage for  $\Delta Y$ .
- DIVisions – the mask test subsystem uses the graticule as the measurement system, so tolerance settings are specified as parts of a screen division. The mask test subsystem maintains separate XDELta and YDELta settings for CURRENT and DIVisions. Thus, XDELta and YDELta are not converted to new values when the UNITs setting is changed.

**Query Syntax** :MTESt:AMASK:UNITs?

The :MTESt:AMASK:UNITs query returns the current measurement units setting for the mask test automask feature.

**Return Format** <units><NL>

<units> ::= {CURR | DIV}

- See Also**
- ["Introduction to :MTESt Commands"](#) on page 515
  - [":MTESt:AMASK:XDELta"](#) on page 522
  - [":MTESt:AMASK:YDELta"](#) on page 523
  - [":CHANnel<n>:UNITs"](#) on page 293
  - [":MTESt:AMASK:SOURce"](#) on page 520
  - [":MTESt:SOURce"](#) on page 545

**Example Code** • ["Example Code"](#) on page 515

**:MTESt:AMASk:XDELta**

**N** (see [page 1172](#))

**Command Syntax**    `:MTESt:AMASk:XDELta <value>`  
                           `<value> ::= X delta value in NR3 format`

The :MTESt:AMASk:XDELta command sets the tolerance in the X direction around the waveform for the automasking feature. The absolute value of the tolerance will be added and subtracted to horizontal values of the waveform to determine the boundaries of the mask.

The horizontal tolerance value is interpreted based on the setting specified by the :MTESt:AMASk:UNITs command; thus, if you specify 250-E3, the setting for :MTESt:AMASk:UNITs is CURRent, and the current setting specifies time in the horizontal direction, the tolerance will be  $\pm 250$  ms. If the setting for :MTESt:AMASk:UNITs is DIVisions, the same X delta value will set the tolerance to  $\pm 250$  millidivisions, or 1/4 of a division.

**Query Syntax**    `:MTESt:AMASk:XDELta?`

The :MTESt:AMASk:XDELta? query returns the current setting of the  $\Delta X$  tolerance for automasking. If your computer program will interpret this value, it should also request the current measurement system using the :MTESt:AMASk:UNITs query.

**Return Format**    `<value><NL>`  
                           `<value> ::= X delta value in NR3 format`

- See Also**
- ["Introduction to :MTESt Commands"](#) on page 515
  - [":MTESt:AMASk:UNITs"](#) on page 521
  - [":MTESt:AMASk:YDELta"](#) on page 523
  - [":MTESt:AMASk:SOURce"](#) on page 520
  - [":MTESt:SOURce"](#) on page 545

**Example Code**    • ["Example Code"](#) on page 515

## :MTESt:AMASK:YDELta

**N** (see [page 1172](#))

**Command Syntax** :MTESt:AMASK:YDELta <value>  
 <value> ::= Y delta value in NR3 format

The :MTESt:AMASK:YDELta command sets the vertical tolerance around the waveform for the automasking feature. The absolute value of the tolerance will be added and subtracted to vertical values of the waveform to determine the boundaries of the mask.

The vertical tolerance value is interpreted based on the setting specified by the :MTESt:AMASK:UNITs command; thus, if you specify 250-E3, the setting for :MTESt:AMASK:UNITs is CURRent, and the current setting specifies voltage in the vertical direction, the tolerance will be  $\pm 250$  mV. If the setting for :MTESt:AMASK:UNITs is DIVisions, the same Y delta value will set the tolerance to  $\pm 250$  millidivisions, or 1/4 of a division.

**Query Syntax** :MTESt:AMASK:YDELta?

The :MTESt:AMASK:YDELta? query returns the current setting of the  $\Delta Y$  tolerance for automasking. If your computer program will interpret this value, it should also request the current measurement system using the :MTESt:AMASK:UNITs query.

**Return Format** <value><NL>  
 <value> ::= Y delta value in NR3 format

- See Also**
- ["Introduction to :MTESt Commands"](#) on page 515
  - [":MTESt:AMASK:UNITs"](#) on page 521
  - [":MTESt:AMASK:XDELta"](#) on page 522
  - [":MTESt:AMASK:SOURce"](#) on page 520
  - [":MTESt:SOURce"](#) on page 545

**Example Code** • ["Example Code"](#) on page 515

**:MTESt:COUNT:FWAVEforms**

**N** (see [page 1172](#))

**Query Syntax** :MTESt:COUNT:FWAVEforms? [CHANnel<n>]

<n> ::= 1 to (# analog channels) in NR1 format

The :MTESt:COUNT:FWAVEforms? query returns the total number of failed waveforms in the current mask test run. This count is for all regions and all waveforms collected on the channel specified by the optional parameter or collected on the currently specified source channel (:MTESt:SOURce) if there is no parameter.

**Return Format** <failed><NL>

<failed> ::= number of failed waveforms in NR1 format.

- See Also**
- ["Introduction to :MTESt Commands"](#) on page 515
  - [":MTESt:COUNT:WAVEforms"](#) on page 527
  - [":MTESt:COUNT:TIME"](#) on page 526
  - [":MTESt:COUNT:RESet"](#) on page 525
  - [":MTESt:SOURce"](#) on page 545

**Example Code** • ["Example Code"](#) on page 515

## :MTESt:COUNT:RESet

**N** (see [page 1172](#))

**Command Syntax** :MTESt:COUNT:RESet

The :MTESt:COUNT:RESet command resets the mask statistics.

- See Also**
- ["Introduction to :MTESt Commands"](#) on page 515
  - [":MTESt:COUNT:WAVEforms"](#) on page 527
  - [":MTESt:COUNT:FWAVEforms"](#) on page 524
  - [":MTESt:COUNT:TIME"](#) on page 526

## :MTEST:COUNT:TIME

**N** (see [page 1172](#))

**Query Syntax** :MTEST:COUNT:TIME?

The :MTEST:COUNT:TIME? query returns the elapsed time in the current mask test run.

**Return Format** <time><NL>

<time> ::= elapsed seconds in NR3 format.

- See Also**
- ["Introduction to :MTEST Commands"](#) on page 515
  - [":MTEST:COUNT:WAVEforms"](#) on page 527
  - [":MTEST:COUNT:FWAVEforms"](#) on page 524
  - [":MTEST:COUNT:RESet"](#) on page 525

**Example Code** • ["Example Code"](#) on page 515

## :MTESt:COUNT:WAVEforms

**N** (see [page 1172](#))

**Query Syntax** :MTESt:COUNT:WAVEforms?

The :MTESt:COUNT:WAVEforms? query returns the total number of waveforms acquired in the current mask test run.

**Return Format** <count><NL>

<count> ::= number of waveforms in NR1 format.

- See Also**
- ["Introduction to :MTESt Commands"](#) on page 515
  - [":MTESt:COUNT:FWAVEforms"](#) on page 524
  - [":MTESt:COUNT:TIME"](#) on page 526
  - [":MTESt:COUNT:RESet"](#) on page 525

**Example Code** • ["Example Code"](#) on page 515

## :MTESt:DATA

**N** (see [page 1172](#))

**Command Syntax** :MTESt:DATA <mask>

<mask> ::= binary block data in IEEE 488.2 # format.

The :MTESt:DATA command loads a mask from binary block data. These are the data bytes found in a \*.msk file.

**Query Syntax** :MTESt:DATA?

The :MTESt:DATA? query returns a mask in binary block data format. The format for the data transmission is the # definite-length format defined in the IEEE 488.2 specification.

**Return Format** <mask><NL>

<mask> ::= binary block data in IEEE 488.2 # format

- See Also**
- [":SAVE:MASK\[:START\]"](#) on page 640
  - [":RECall:MASK\[:START\]"](#) on page 625



## :MTESt:DELeTe

**N** (see [page 1172](#))

**Command Syntax** :MTESt:DELeTe

The :MTESt:DELeTe command clears the currently loaded mask.

- See Also**
- ["Introduction to :MTESt Commands"](#) on page 515
  - [":MTESt:AMASk:CREate"](#) on page 519

**:MTESt:ENABle**

**N** (see [page 1172](#))

**Command Syntax** :MTESt:ENABle <on\_off>  
 <on\_off> ::= {{1 | ON} | {0 | OFF}}

The :MTESt:ENABle command enables or disables the mask test features.

- ON – Enables the mask test features.
- OFF – Disables the mask test features.

**Query Syntax** :MTESt:ENABle?

The :MTESt:ENABle? query returns the current state of mask test features.

**Return Format** <on\_off><NL>  
 <on\_off> ::= {1 | 0}

**See Also** • ["Introduction to :MTESt Commands"](#) on page 515

## :MTESt:LOCK

**N** (see [page 1172](#))

**Command Syntax** :MTESt:LOCK <on\_off>  
 <on\_off> ::= {{1 | ON} | {0 | OFF}}

The :MTESt:LOCK command enables or disables the mask lock feature:

- ON – Locks a mask to the SOURce. As the vertical or horizontal scaling or position of the SOURce changes, the mask is redrawn accordingly.
- OFF – The mask is static and does not move.

**Query Syntax** :MTESt:LOCK?

The :MTESt:LOCK? query returns the current mask lock setting.

**Return Format** <on\_off><NL>  
 <on\_off> ::= {1 | 0}

- See Also**
- ["Introduction to :MTESt Commands"](#) on page 515
  - [":MTESt:SOURce"](#) on page 545

## :MTESt:RMODe

**N** (see [page 1172](#))

**Command Syntax** :MTESt:RMODe <rmode>  
<rmode> ::= {FORever | SIGMa | TIME | WAVeforms}

The :MTESt:RMODe command specifies the termination conditions for the mask test:

- FORever – the mask test runs until it is turned off.
- SIGMa – the mask test runs until the Sigma level is reached. This level is set by the [":MTESt:RMODe:SIGMa"](#) on page 537 command.
- TIME – the mask test runs for a fixed amount of time. The amount of time is set by the [":MTESt:RMODe:TIME"](#) on page 538 command.
- WAVeforms – the mask test runs until a fixed number of waveforms are acquired. The number of waveforms is set by the [":MTESt:RMODe:WAVeforms"](#) on page 539 command.

**Query Syntax** :MTESt:RMODe?

The :MTESt:RMODe? query returns the currently set termination condition.

**Return Format** <rmode><NL>  
<rmode> ::= {FOR | SIGM | TIME | WAV}

- See Also**
- ["Introduction to :MTESt Commands"](#) on page 515
  - [":MTESt:RMODe:SIGMa"](#) on page 537
  - [":MTESt:RMODe:TIME"](#) on page 538
  - [":MTESt:RMODe:WAVeforms"](#) on page 539

**Example Code** • ["Example Code"](#) on page 515

## :MTESt:RMODE:FACTion:MEASure

**N** (see [page 1172](#))

**Command Syntax** :MTESt:RMODE:FACTion:MEASure <on\_off>

<on\_off> ::= {{1 | ON} | {0 | OFF}}

The :MTESt:RMODE:FACTion:MEASure command sets measuring only mask failures on or off.

When ON, measurements and measurement statistics run only on waveforms that contain a mask violation; passing waveforms do not affect measurements and measurement statistics.

This mode is not available when the acquisition mode is set to Averaging.

**Query Syntax** :MTESt:RMODE:FACTion:MEASure?

The :MTESt:RMODE:FACTion:MEASure? query returns the current mask failure measure setting.

**Return Format** <on\_off><NL>

<on\_off> ::= {1 | 0}

- See Also**
- ["Introduction to :MTESt Commands"](#) on page 515
  - [":MTESt:RMODE:FACTion:PRINT"](#) on page 534
  - [":MTESt:RMODE:FACTion:SAVE"](#) on page 535
  - [":MTESt:RMODE:FACTion:STOP"](#) on page 536

## :MTESt:RMODe:FACTion:PRINt

**N** (see [page 1172](#))

**Command Syntax** :MTESt:RMODe:FACTion:PRINt <on\_off>

<on\_off> ::= {{1 | ON} | {0 | OFF}}

The :MTESt:RMODe:FACTion:PRINt command sets printing on mask failures on or off.

**NOTE**

Setting :MTESt:RMODe:FACTion:PRINt ON automatically sets :MTESt:RMODe:FACTion:SAVE OFF.

See [Chapter 17](#), “:HARDcopy Commands,” starting on page 375 for more information on setting the hardcopy device and formatting options.

**Query Syntax** :MTESt:RMODe:FACTion:PRINt?

The :MTESt:RMODe:FACTion:PRINt? query returns the current mask failure print setting.

**Return Format** <on\_off><NL>

<on\_off> ::= {1 | 0}

- See Also**
- ["Introduction to :MTESt Commands"](#) on page 515
  - [":MTESt:RMODe:FACTion:MEASure"](#) on page 533
  - [":MTESt:RMODe:FACTion:SAVE"](#) on page 535
  - [":MTESt:RMODe:FACTion:STOP"](#) on page 536

## :MTESt:RMODe:FACTion:SAVE

**N** (see [page 1172](#))

**Command Syntax** :MTESt:RMODe:FACTion:SAVE <on\_off>  
 <on\_off> ::= {{1 | ON} | {0 | OFF}}

The :MTESt:RMODe:FACTion:SAVE command sets saving on mask failures on or off.

**NOTE**

Setting :MTESt:RMODe:FACTion:SAVE ON automatically sets :MTESt:RMODe:FACTion:PRINT OFF.

See [Chapter 26](#), “:SAVE Commands,” starting on page 629 for more information on save options.

**Query Syntax** :MTESt:RMODe:FACTion:SAVE?

The :MTESt:RMODe:FACTion:SAVE? query returns the current mask failure save setting.

**Return Format** <on\_off><NL>  
 <on\_off> ::= {1 | 0}

- See Also**
- ["Introduction to :MTESt Commands"](#) on page 515
  - [":MTESt:RMODe:FACTion:MEASure"](#) on page 533
  - [":MTESt:RMODe:FACTion:PRINT"](#) on page 534
  - [":MTESt:RMODe:FACTion:STOP"](#) on page 536

**:MTESt:RMODe:FACTion:STOP**

**N** (see [page 1172](#))

**Command Syntax** :MTESt:RMODe:FACTion:STOP <on\_off>

<on\_off> ::= {{1 | ON} | {0 | OFF}}

The :MTESt:RMODe:FACTion:STOP command sets stopping on a mask failure on or off. When this setting is ON and a mask violation is detected, the mask test is stopped and the acquisition system is stopped.

**Query Syntax** :MTESt:RMODe:FACTion:STOP?

The :MTESt:RMODe:FACTion:STOP? query returns the current mask failure stop setting.

**Return Format** <on\_off><NL>

<on\_off> ::= {1 | 0}

- See Also**
- ["Introduction to :MTESt Commands"](#) on page 515
  - [":MTESt:RMODe:FACTion:MEASure"](#) on page 533
  - [":MTESt:RMODe:FACTion:PRINT"](#) on page 534
  - [":MTESt:RMODe:FACTion:SAVE"](#) on page 535



## :MTESt:RMODE:SIGMa

**N** (see [page 1172](#))

**Command Syntax** :MTESt:RMODE:SIGMa <level>

<level> ::= from 0.1 to 9.3 in NR3 format

When the :MTESt:RMODE command is set to SIGMa, the :MTESt:RMODE:SIGMa command sets the *test sigma* level to which a mask test runs. *Test sigma* is the best achievable process sigma, assuming no failures. (*Process sigma* is calculated using the number of failures per test.) The *test sigma* level indirectly specifies the number of waveforms that must be tested (in order to reach the sigma level).

**Query Syntax** :MTESt:RMODE:SIGMa?

The :MTESt:RMODE:SIGMa? query returns the current Sigma level setting.

**Return Format** <level><NL>

<level> ::= from 0.1 to 9.3 in NR3 format

**See Also** • ["Introduction to :MTESt Commands"](#) on page 515

• [":MTESt:RMODE"](#) on page 532

**Example Code** • ["Example Code"](#) on page 515

## :MTESt:RMODE:TIME

**N** (see [page 1172](#))

**Command Syntax** :MTESt:RMODE:TIME <seconds>

<seconds> ::= from 1 to 86400 in NR3 format

When the :MTESt:RMODE command is set to TIME, the :MTESt:RMODE:TIME command sets the number of seconds for a mask test to run.

**Query Syntax** :MTESt:RMODE:TIME?

The :MTESt:RMODE:TIME? query returns the number of seconds currently set.

**Return Format** <seconds><NL>

<seconds> ::= from 1 to 86400 in NR3 format

- See Also**
- ["Introduction to :MTESt Commands"](#) on page 515
  - [":MTESt:RMODE"](#) on page 532

## :MTESt:RMODe:WAVeforms

**N** (see [page 1172](#))

**Command Syntax** :MTESt:RMODe:WAVeforms <count>

<count> ::= number of waveforms in NR1 format  
from 1 to 2,000,000,000

When the :MTESt:RMODe command is set to WAVeforms, the :MTESt:RMODe:WAVeforms command sets the number of waveform acquisitions that are mask tested.

**Query Syntax** :MTESt:RMODe:WAVeforms?

The :MTESt:RMODe:WAVeforms? query returns the number of waveforms currently set.

**Return Format** <count><NL>

<count> ::= number of waveforms in NR1 format  
from 1 to 2,000,000,000

- See Also**
- ["Introduction to :MTESt Commands"](#) on page 515
  - [":MTESt:RMODe"](#) on page 532

## :MTESt:SCALe:BIND

**N** (see [page 1172](#))

**Command Syntax** :MTESt:SCALe:BIND <on\_off>

<on\_off> ::= {{1 | ON} | {0 | OFF}}

The :MTESt:SCALe:BIND command enables or disables Bind 1 & 0 Levels (Bind -1 & 0 Levels for inverted masks) control:

- ON –

If the Bind 1 & 0 Levels control is enabled, the 1 Level and the 0 Level controls track each other. Adjusting either the 1 Level or the 0 Level control shifts the position of the mask up or down without changing its size.

If the Bind -1 & 0 Levels control is enabled, the -1 Level and the 0 Level controls track each other. Adjusting either the -1 Level or the 0 Level control shifts the position of the mask up or down without changing its size.

- OFF –

If the Bind 1 & 0 Levels control is disabled, adjusting either the 1 Level or the 0 Level control changes the vertical height of the mask.

If the Bind -1 & 0 Levels control is disabled, adjusting either the -1 Level or the 0 Level control changes the vertical height of the mask.

**Query Syntax** :MTESt:SCALe:BIND?

The :MTESt:SCALe:BIND? query returns the value of the Bind 1&0 control (Bind -1&0 for inverted masks).

**Return Format** <on\_off><NL>

<on\_off> ::= {1 | 0}

- See Also**
- ["Introduction to :MTESt Commands"](#) on page 515
  - [":MTESt:SCALe:X1"](#) on page 541
  - [":MTESt:SCALe:XDELta"](#) on page 542
  - [":MTESt:SCALe:Y1"](#) on page 543
  - [":MTESt:SCALe:Y2"](#) on page 544

## :MTESt:SCALe:X1

**N** (see [page 1172](#))

**Command Syntax** :MTESt:SCALe:X1 <x1\_value>  
 <x1\_value> ::= X1 value in NR3 format

The :MTESt:SCALe:X1 command defines where X=0 in the base coordinate system used for mask testing. The other X-coordinate is defined by the :MTESt:SCALe:XDELta command. Once the X1 and XDELta coordinates are set, all X values of vertices in the mask regions are defined with respect to this value, according to the equation:

$$x = (X * \Delta X) + X1$$

Thus, if you set X1 to 100 ms, and XDELta to 100 ms, an X value of 0.100 is a vertex at 110 ms.

The oscilloscope uses this equation to normalize vertices. This simplifies reprogramming to handle different data rates. For example, if you halve the period of the waveform of interest, you need only to adjust the XDELta value to set up the mask for the new waveform.

The X1 value is a time value specifying the location of the X1 coordinate, which will then be treated as X=0 for mask regions coordinates.

**Query Syntax** :MTESt:SCALe:X1?

The :MTESt:SCALe:X1? query returns the current X1 coordinate setting.

**Return Format** <x1\_value><NL>  
 <x1\_value> ::= X1 value in NR3 format

- See Also**
- ["Introduction to :MTESt Commands"](#) on page 515
  - [":MTESt:SCALe:BIND"](#) on page 540
  - [":MTESt:SCALe:XDELta"](#) on page 542
  - [":MTESt:SCALe:Y1"](#) on page 543
  - [":MTESt:SCALe:Y2"](#) on page 544

**:MTESt:SCALE:XDELta**

**N** (see [page 1172](#))

**Command Syntax** `:MTESt:SCALE:XDELta <xdelta_value>`

`<xdelta_value> ::= X delta value in NR3 format`

The `:MTESt:SCALE:XDELta` command defines the position of the X2 marker with respect to the X1 marker. In the mask test coordinate system, the X1 marker defines where  $X=0$ ; thus, the X2 marker defines where  $X=1$ .

Because all X vertices of the regions defined for mask testing are normalized with respect to X1 and  $\Delta X$ , redefining  $\Delta X$  also moves those vertices to stay in the same locations with respect to X1 and  $\Delta X$ . Thus, in many applications, it is best if you define XDELta as a pulse width or bit period. Then, a change in data rate without corresponding changes in the waveform can easily be handled by changing  $\Delta X$ .

The X-coordinate of polygon vertices is normalized using this equation:

$$x = (X * \Delta X) + X1$$

The X delta value is a time value specifying the distance of the X2 marker with respect to the X1 marker.

For example, if the period of the waveform you wish to test is 1 ms, setting  $\Delta X$  to 1 ms ensures that the waveform's period is between the X1 and X2 markers.

**Query Syntax** `:MTESt:SCALE:XDELta?`

The `:MTESt:SCALE:XDELta?` query returns the current value of  $\Delta X$ .

**Return Format** `<xdelta_value><NL>`

`<xdelta_value> ::= X delta value in NR3 format`

- See Also**
- ["Introduction to :MTESt Commands"](#) on page 515
  - [":MTESt:SCALE:BIND"](#) on page 540
  - [":MTESt:SCALE:X1"](#) on page 541
  - [":MTESt:SCALE:Y1"](#) on page 543
  - [":MTESt:SCALE:Y2"](#) on page 544

## :MTESt:SCALe:Y1

**N** (see [page 1172](#))

**Command Syntax** :MTESt:SCALe:Y1 <y1\_value>  
 <y1\_value> ::= Y1 value in NR3 format

The :MTESt:SCALe:Y1 command defines where Y=0 in the coordinate system for mask testing. All Y values of vertices in the coordinate system are defined with respect to the boundaries set by SCALe:Y1 and SCALe:Y2 according to the equation:

$$Y = (Y * (Y2 - Y1)) + Y1$$

Thus, if you set Y1 to 100 mV, and Y2 to 1 V, a Y value of 0.100 in a vertex is at 190 mV.

The Y1 value is a voltage value specifying the point at which Y=0.

**Query Syntax** :MTESt:SCALe:Y1?

The :MTESt:SCALe:Y1? query returns the current setting of the Y1 marker.

**Return Format** <y1\_value><NL>  
 <y1\_value> ::= Y1 value in NR3 format

- See Also**
- ["Introduction to :MTESt Commands"](#) on page 515
  - [":MTESt:SCALe:BIND"](#) on page 540
  - [":MTESt:SCALe:X1"](#) on page 541
  - [":MTESt:SCALe:XDELta"](#) on page 542
  - [":MTESt:SCALe:Y2"](#) on page 544

**:MTESt:SCALe:Y2**

**N** (see [page 1172](#))

**Command Syntax** :MTESt:SCALe:Y2 <y2\_value>

<y2\_value> ::= Y2 value in NR3 format

The :MTESt:SCALe:Y2 command defines the Y2 marker in the coordinate system for mask testing. All Y values of vertices in the coordinate system are defined with respect to the boundaries defined by SCALe:Y1 and SCALe:Y2 according to the following equation:

$$Y = (Y * (Y2 - Y1)) + Y1$$

Thus, if you set Y1 to 100 mV, and Y2 to 1 V, a Y value of 0.100 in a vertex is at 190 mV.

The Y2 value is a voltage value specifying the location of the Y2 marker.

**Query Syntax** :MTESt:SCALe:Y2?

The :MTESt:SCALe:Y2? query returns the current setting of the Y2 marker.

**Return Format** <y2\_value><NL>

<y2\_value> ::= Y2 value in NR3 format

- See Also**
- ["Introduction to :MTESt Commands"](#) on page 515
  - [":MTESt:SCALe:BIND"](#) on page 540
  - [":MTESt:SCALe:X1"](#) on page 541
  - [":MTESt:SCALe:XDELta"](#) on page 542
  - [":MTESt:SCALe:Y1"](#) on page 543



## :MTESt:SOURce

**N** (see [page 1172](#))

**Command Syntax** :MTESt:SOURce <source>

<source> ::= CHANnel<n>

<n> ::= 1 to (# analog channels) in NR1 format

The :MTESt:SOURce command selects the channel which is configured by the commands contained in a mask file when it is loaded.

**Query Syntax** :MTESt:SOURce?

The :MTESt:SOURce? query returns the channel which is configured by the commands contained in the current mask file.

**Return Format** <source><NL>

<source> ::= {CHAN<n> | NONE}

<n> ::= 1 to (# analog channels) in NR1 format

- See Also**
- ["Introduction to :MTESt Commands"](#) on page 515
  - [":MTESt:AMASK:SOURce"](#) on page 520

## :MTESt:TITLe

**N** (see [page 1172](#))

**Query Syntax** :MTESt:TITLe?

The :MTESt:TITLe? query returns the mask title which is a string of up to 128 characters. The title is displayed in the mask test dialog box and mask test tab when a mask file is loaded.

**Return Format** <title><NL>

<title> ::= a string of up to 128 ASCII characters.

**See Also** · ["Introduction to :MTESt Commands"](#) on page 515

## 23 :POD Commands

Control all oscilloscope functions associated with groups of digital channels. See "[Introduction to :POD<n> Commands](#)" on page 547.

**Table 96** :POD<n> Commands Summary

Command	Query	Options and Query Returns
:POD<n>:DISPlay {{0   OFF}   {1   ON}} (see <a href="#">page 549</a> )	:POD<n>:DISPlay? (see <a href="#">page 549</a> )	{0   1} <n> ::= 1-2 in NR1 format
:POD<n>:SIZE <value> (see <a href="#">page 550</a> )	:POD<n>:SIZE? (see <a href="#">page 550</a> )	<value> ::= {SMALl   MEDiUm   LARGe}
:POD<n>:THReshold <type>[suffix] (see <a href="#">page 551</a> )	:POD<n>:THReshold? (see <a href="#">page 551</a> )	<n> ::= 1-2 in NR1 format <type> ::= {CMOS   ECL   TTL   <user defined value>} <user defined value> ::= value in NR3 format [suffix] ::= {V   mV   uV }

**Introduction to  
:POD<n>  
Commands**

<n> ::= {1 | 2}

The POD subsystem commands control the viewing and threshold of groups of digital channels.

POD1 ::= D0-D7

POD2 ::= D8-D15

**NOTE**

These commands are only valid for the MSO models.

**Reporting the Setup**

Use :POD1? or :POD2? to query setup information for the POD subsystem.

### Return Format

The following is a sample response from the :POD1? query. In this case, the query was issued following a \*RST command.

```
:POD1:DISP 0;THR +1.40E+00
```

## :POD&lt;n&gt;:DISPlay

**N** (see [page 1172](#))

**Command Syntax** :POD<n>:DISPlay <display>

<display> ::= {{1 | ON} | {0 | OFF}}

<n> ::= An integer, 1 or 2, is attached as a suffix to the command and defines the group of channels that are affected by the command.

POD1 ::= D0-D7

POD2 ::= D8-D15

The :POD<n>:DISPlay command turns displaying of the specified group of channels on or off.

**NOTE**

This command is only valid for the MSO models.

**Query Syntax** :POD<n>:DISPlay?

The :POD<n>:DISPlay? query returns the current display setting of the specified group of channels.

**Return Format** <display><NL>

<display> ::= {0 | 1}

- See Also**
- ["Introduction to :POD<n> Commands"](#) on page 547
  - [":DIGital<d>:DISPlay"](#) on page 305
  - [":CHANnel<n>:DISPlay"](#) on page 279
  - [":VIEW"](#) on page 238
  - [":BLANK"](#) on page 210
  - [":STATus"](#) on page 235

**:POD<n>:SIZE**

**N** (see [page 1172](#))

**Command Syntax** :POD<n>:SIZE <value>

<n> ::= An integer, 1 or 2, is attached as a suffix to the command and defines the group of channels that are affected by the command.

POD1 ::= D0-D7

POD2 ::= D8-D15

<value> ::= {SMALl | MEDiUm | LARGe}

The :POD<n>:SIZE command specifies the size of digital channels on the display. Sizes are set for all pods. Therefore, if you set the size on pod 1 (for example), the same size is set on pod 2 as well.

**NOTE**

This command is only valid for the MSO models.

**Query Syntax** :POD<n>:SIZE?

The :POD<n>:SIZE? query returns the digital channels size setting.

**Return Format** <size\_value><NL>

<size\_value> ::= {SMAL | MED | LARG}

- See Also**
- ["Introduction to :POD<n> Commands"](#) on page 547
  - [":DIGital<d>:SIZE"](#) on page 308
  - [":DIGital<d>:POSition"](#) on page 307

## :POD&lt;n&gt;:THReshold

**N** (see [page 1172](#))

**Command Syntax** :POD<n>:THReshold <type>[<suffix>]

<n> ::= An integer, 1 or 2, is attached as a suffix to the command and defines the group of channels that are affected by the command.

<type> ::= {CMOS | ECL | TTL | <user defined value>}

<user defined value> ::= -8.00 to +8.00 in NR3 format

<suffix> ::= {V | mV | uV}

POD1 ::= D0-D7

POD2 ::= D8-D15

TTL ::= 1.4V

CMOS ::= 2.5V

ECL ::= -1.3V

The :POD<n>:THReshold command sets the threshold for the specified group of channels. The threshold is used for triggering purposes and for displaying the digital data as high (above the threshold) or low (below the threshold).

**NOTE**

This command is only valid for the MSO models.

**Query Syntax** :POD<n>:THReshold?

The :POD<n>:THReshold? query returns the threshold value for the specified group of channels.

**Return Format** <threshold><NL>

<threshold> ::= Floating point number in NR3 format

- See Also**
- ["Introduction to :POD<n> Commands"](#) on page 547
  - [":DIGital<d>:THReshold"](#) on page 309
  - [":TRIGger\[:EDGE\]:LEVel"](#) on page 937

**Example Code**

```
' THRESHOLD - This command is used to set the voltage threshold for
' the waveforms. There are three preset values (TTL, CMOS, and ECL)
' and you can also set a user-defined threshold value between
' -8.0 volts and +8.0 volts.
'
' In this example, we set channels 0-7 to CMOS, then set channels
' 8-15 to a user-defined 2.0 volts, and then set the external trigger
' to TTL. Of course, you only need to set the thresholds for the
' channels you will be using in your program.
```

```
' Set channels 0-7 to CMOS threshold.  
myScope.WriteString ":POD1:THRESHOLD CMOS"  
  
' Set channels 8-15 to 2.0 volts.  
myScope.WriteString ":POD2:THRESHOLD 2.0"  
  
' Set external channel to TTL threshold (short form).  
myScope.WriteString ":TRIG:LEV TTL,EXT"
```

See complete example programs at: [Chapter 40](#), "Programming Examples," starting on page 1181



## 24 :POWer Commands

These :POWer commands are available when the DSOX3PWR power measurements and analysis application is licensed and enabled.

**Table 97** :POWer Commands Summary

Command	Query	Options and Query Returns
:POWer:DESKew (see <a href="#">page 559</a> )	n/a	n/a
:POWer:EFFiciency:APPLY (see <a href="#">page 560</a> )	n/a	n/a
:POWer:ENABLE {{0   OFF}   {1   ON}} (see <a href="#">page 561</a> )	:POWer:ENABLE? (see <a href="#">page 561</a> )	{0   1}
:POWer:HARMonics:APPLY (see <a href="#">page 562</a> )	n/a	n/a
n/a	:POWer:HARMonics:DATA? (see <a href="#">page 563</a> )	<binary_block> ::= comma-separated data with newlines at the end of each row
:POWer:HARMonics:DISPLAY <display> (see <a href="#">page 564</a> )	:POWer:HARMonics:DISPLAY? (see <a href="#">page 564</a> )	<display> ::= {TABLE   BAR   OFF}
n/a	:POWer:HARMonics:FAILcount? (see <a href="#">page 565</a> )	<count> ::= integer in NR1 format
:POWer:HARMonics:LINE <frequency> (see <a href="#">page 566</a> )	:POWer:HARMonics:LINE? (see <a href="#">page 566</a> )	<frequency> ::= {F50   F60   F400}
n/a	:POWer:HARMonics:POWERfactor? (see <a href="#">page 567</a> )	<value> ::= Class C power factor in NR3 format
n/a	:POWer:HARMonics:RUNcount? (see <a href="#">page 568</a> )	<count> ::= integer in NR1 format

**Table 97** :POWer Commands Summary (continued)

Command	Query	Options and Query Returns
:POWer:HARMonics:STANdard <class> (see <a href="#">page 569</a> )	:POWer:HARMonics:STANdard? (see <a href="#">page 569</a> )	<class> ::= {A   B   C   D}
n/a	:POWer:HARMonics:STATus? (see <a href="#">page 570</a> )	<status> ::= {PASS   FAIL   UNTested}
n/a	:POWer:HARMonics:THD? (see <a href="#">page 571</a> )	<value> ::= Total Harmonics Distortion in NR3 format
:POWer:INRush:APPLy (see <a href="#">page 572</a> )	n/a	n/a
:POWer:INRush:EXIT (see <a href="#">page 573</a> )	n/a	n/a
:POWer:INRush:NEXt (see <a href="#">page 574</a> )	n/a	n/a
:POWer:MODulation:APPLy (see <a href="#">page 575</a> )	n/a	n/a
:POWer:MODulation:SOUrce <source> (see <a href="#">page 576</a> )	:POWer:MODulation:SOUrce? (see <a href="#">page 576</a> )	<source> ::= {V   I}
:POWer:MODulation:TYPe <modulation> (see <a href="#">page 577</a> )	:POWer:MODulation:TYPe? (see <a href="#">page 577</a> )	<modulation> ::= {VAverage   ACRMs   VRATio   PERiod   FREQuency   PWIDith   NWIDTH   DUTYcycle   RISetime   FALLtime}
:POWer:ONOff:APPLy (see <a href="#">page 578</a> )	n/a	n/a
:POWer:ONOff:EXIT (see <a href="#">page 579</a> )	n/a	n/a
:POWer:ONOff:NEXt (see <a href="#">page 580</a> )	n/a	n/a
:POWer:ONOff:TEST {{0   OFF}   {1   ON}} (see <a href="#">page 581</a> )	:POWer:ONOff:TEST? (see <a href="#">page 581</a> )	{0   1}
:POWer:PSRR:APPLy (see <a href="#">page 582</a> )	n/a	n/a
:POWer:PSRR:FREQuency:MAXimum <value>[suffix] (see <a href="#">page 583</a> )	:POWer:PSRR:FREQuency:MAXimum? (see <a href="#">page 583</a> )	<value> ::= {10   100   1000   10000   100000   1000000   10000000   20000000} [suffix] ::= {Hz   kHz   MHz}

**Table 97** :POWer Commands Summary (continued)

Command	Query	Options and Query Returns
:POWer:PSRR:FREQuency :MINimum <value>[suffix] (see page 584)	:POWer:PSRR:FREQuency :MINimum? (see page 584)	<value> ::= {1   10   100   1000   10000   100000   1000000   10000000} [suffix] ::= {Hz   kHz   MHz}
:POWer:PSRR:RMAXimum <value> (see page 585)	:POWer:PSRR:RMAXimum? (see page 585)	<value> ::= Maximum ratio value in NR1 format
:POWer:QUALity:APPLY (see page 586)	n/a	n/a
:POWer:QUALity:TYPE <quality> (see page 587)	:POWer:QUALity:TYPE? (see page 587)	<quality> ::= {FACTor   REAL   APParent   REACTive   CREST   ANGLE}
:POWer:RIPple:APPLY (see page 588)	n/a	n/a
:POWer:SIGNals:AUTOset tup <analysis> (see page 589)	n/a	<analysis> ::= {HARMONics   EFFiciency   RIPple   MODulation   QUALity   SLEW   SWITCh}
:POWer:SIGNals:CYCles :HARMONics <count> (see page 590)	:POWer:SIGNals:CYCles :HARMONics? (see page 590)	<count> ::= integer in NR1 format Legal values are 1 to 100.
:POWer:SIGNals:CYCles :QUALity <count> (see page 591)	:POWer:SIGNals:CYCles :QUALity? (see page 591)	<count> ::= integer in NR1 format Legal values are 1 to 100.
:POWer:SIGNals:DURati on:EFFiciency <value>[suffix] (see page 592)	:POWer:SIGNals:DURati on:EFFiciency? (see page 592)	<value> ::= value in NR3 format [suffix] ::= {s   ms   us   ns}
:POWer:SIGNals:DURati on:MODulation <value>[suffix] (see page 593)	:POWer:SIGNals:DURati on:MODulation? (see page 593)	<value> ::= value in NR3 format [suffix] ::= {s   ms   us   ns}
:POWer:SIGNals:DURati on:ONOFF:OFF <value>[suffix] (see page 594)	:POWer:SIGNals:DURati on:ONOFF:OFF? (see page 594)	<value> ::= value in NR3 format [suffix] ::= {s   ms   us   ns}
:POWer:SIGNals:DURati on:ONOFF:ON <value>[suffix] (see page 595)	:POWer:SIGNals:DURati on:ONOFF:ON? (see page 595)	<value> ::= value in NR3 format [suffix] ::= {s   ms   us   ns}

**Table 97** :POWer Commands Summary (continued)

Command	Query	Options and Query Returns
:POWer:SIGNals:DURati on:RIPPlE <value>[suffix] (see page 596)	:POWer:SIGNals:DURati on:RIPPlE? (see page 596)	<value> ::= value in NR3 format [suffix] ::= {s   ms   us   ns}
:POWer:SIGNals:DURati on:TRANsient <value>[suffix] (see page 597)	:POWer:SIGNals:DURati on:TRANsient? (see page 597)	<value> ::= value in NR3 format [suffix] ::= {s   ms   us   ns}
:POWer:SIGNals:IEXPeC ted <value>[suffix] (see page 598)	:POWer:SIGNals:IEXPeC ted? (see page 598)	<value> ::= Expected current value in NR3 format [suffix] ::= {A   mA}
:POWer:SIGNals:OVERsh oot <percent> (see page 599)	:POWer:SIGNals:OVERsh oot? (see page 599)	<percent> ::= percent of overshoot value in NR1 format [suffix] ::= {V   mV}
:POWer:SIGNals:VMAXim um:INRush <value>[suffix] (see page 600)	:POWer:SIGNals:VMAXim um:INRush? (see page 600)	<value> ::= Maximum expected input Voltage in NR3 format [suffix] ::= {V   mV}
:POWer:SIGNals:VMAXim um:ONOFF:OFF <value>[suffix] (see page 601)	:POWer:SIGNals:VMAXim um:ONOFF:OFF? (see page 601)	<value> ::= Maximum expected input Voltage in NR3 format [suffix] ::= {V   mV}
:POWer:SIGNals:VMAXim um:ONOFF:ON <value>[suffix] (see page 602)	:POWer:SIGNals:VMAXim um:ONOFF:ON? (see page 602)	<value> ::= Maximum expected input Voltage in NR3 format [suffix] ::= {V   mV}
:POWer:SIGNals:VSTead y:ONOFF:OFF <value>[suffix] (see page 603)	:POWer:SIGNals:VSTead y:ONOFF:OFF? (see page 603)	<value> ::= Expected steady stage output Voltage value in NR3 format [suffix] ::= {V   mV}
:POWer:SIGNals:VSTead y:ONOFF:ON <value>[suffix] (see page 604)	:POWer:SIGNals:VSTead y:ONOFF:ON? (see page 604)	<value> ::= Expected steady stage output Voltage value in NR3 format [suffix] ::= {V   mV}
:POWer:SIGNals:VSTead y:TRANsient <value>[suffix] (see page 605)	:POWer:SIGNals:VSTead y:TRANsient? (see page 605)	<value> ::= Expected steady stage output Voltage value in NR3 format [suffix] ::= {V   mV}

**Table 97** :POWer Commands Summary (continued)

Command	Query	Options and Query Returns
:POWer:SIGNals:SOURce :CURRent<i> <source> (see <a href="#">page 606</a> )	:POWer:SIGNals:SOURce :CURRent<i>? (see <a href="#">page 606</a> )	<i> ::= 1, 2 in NR1 format <source> ::= CHANnel<n> <n> ::= 1 to (# analog channels) in NR1 format
:POWer:SIGNals:SOURce :VOLTagE<i> <source> (see <a href="#">page 607</a> )	:POWer:SIGNals:SOURce :VOLTagE<i>? (see <a href="#">page 607</a> )	<i> ::= 1, 2 in NR1 format <source> ::= CHANnel<n> <n> ::= 1 to (# analog channels) in NR1 format
:POWer:SLEW:APPLy (see <a href="#">page 608</a> )	n/a	n/a
:POWer:SLEW:SOURce <source> (see <a href="#">page 609</a> )	:POWer:SLEW:SOURce? (see <a href="#">page 609</a> )	<source> ::= {V   I}
:POWer:SWITCh:APPLy (see <a href="#">page 610</a> )	n/a	n/a
:POWer:SWITCh:CONduct ion <conduction> (see <a href="#">page 611</a> )	:POWer:SWITCh:CONduct ion? (see <a href="#">page 611</a> )	<conduction> ::= {WAVEform   RDS   VCE}
:POWer:SWITCh:IREFere nce <percent> (see <a href="#">page 612</a> )	:POWer:SWITCh:IREFere nce? (see <a href="#">page 612</a> )	<percent> ::= percent in NR1 format
:POWer:SWITCh:RDS <value>[suffix] (see <a href="#">page 613</a> )	:POWer:SWITCh:RDS? (see <a href="#">page 613</a> )	<value> ::= Rds(on) value in NR3 format [suffix] ::= {OHM   mOHM}
:POWer:SWITCh:VCE <value>[suffix] (see <a href="#">page 614</a> )	:POWer:SWITCh:VCE? (see <a href="#">page 614</a> )	<value> ::= Vce(sat) value in NR3 format [suffix] ::= {V   mV}
:POWer:SWITCh:VREFere nce <percent> (see <a href="#">page 615</a> )	:POWer:SWITCh:VREFere nce? (see <a href="#">page 615</a> )	<percent> ::= percent in NR1 format
:POWer:TRANSient:APPL y (see <a href="#">page 616</a> )	n/a	n/a
:POWer:TRANSient:EXIT (see <a href="#">page 617</a> )	n/a	n/a
:POWer:TRANSient:IINi tial <value>[suffix] (see <a href="#">page 618</a> )	:POWer:TRANSient:IINi tial? (see <a href="#">page 618</a> )	<value> ::= Initial current value in NR3 format [suffix] ::= {A   mA}

**Table 97** :POWer Commands Summary (continued)

Command	Query	Options and Query Returns
:POWer:TRANsient:INEW <value>[suffix] (see page 619)	:POWer:TRANsient:INEW ? (see page 619)	<value> ::= New current value in NR3 format [suffix] ::= {A   mA}
:POWer:TRANsient:NEXT (see page 620)	n/a	n/a

## :POWer:DESKew

**N** (see [page 1172](#))

**Command Syntax** :POWer:DESKew

The :POWer:DESKew command launches the auto deskew process on the oscilloscope.

Before sending this command:

- 1 Demagnetize and zero-adjust the current probe.  
Refer to the current probe's documentation for instructions on how to do this.
- 2 Make connections to the U1880A deskew fixture as described in the oscilloscope's connection dialog or in the *DSOX3PWR Power Measurement Application User's Guide*.
- 3 Make sure the voltage probe and current probe channels are specified appropriately using the :POWer:SIGNals:SOURce:VOLTage1 and :POWer:SIGNals:SOURce:CURRent1 commands.

**NOTE**

Use the lowest attenuation setting on the high voltage differential probes whenever possible because the voltage levels on the deskew fixture are very small. Using a higher attenuation setting may yield inaccurate skew values (and affect the measurements made) because the noise level is magnified as well.

The deskew values are saved in the oscilloscope until a factory default or secure erase is performed. The next time you run the Power Application, you can use the saved deskew values or perform the deskew again.

Generally, you need to perform the deskew again when part of the test setup changes (for example, a different probe, different oscilloscope channel, etc.) or when the ambient temperature has changed.

- See Also**
- **":POWer:SIGNals:SOURce:VOLTage<i>"** on page 607
  - **":POWer:SIGNals:SOURce:CURRent<i>"** on page 606

## :POWer:EFFiciency:APPLy

**N** (see [page 1172](#))

**Command Syntax** :POWer:EFFiciency:APPLy

The :POWer:EFFiciency:APPLy command applies the efficiency power analysis. Efficiency analysis tests the overall efficiency of the power supply by measuring the output power over the input power.

### NOTE

Efficiency analysis requires a 4-channel oscilloscope because input voltage, input current, output voltage, and output current are measured.

- See Also**
- [":MEASure:EFFiciency"](#) on page 500
  - [":MEASure:IPOWer"](#) on page 503
  - [":MEASure:OPOWer"](#) on page 506



## :POWer:ENABle

**N** (see [page 1172](#))

**Command Syntax** :POWer:ENABle {{0 | OFF} | {1 | ON}}

The :POWer:ENABle command enables or disables power analysis.

**Query Syntax** :POWer:ENABle?

The :POWer:ENABle query returns a 1 or a 0 showing whether power analysis is enabled or disabled, respectively.

**Return Format** {0 | 1}

**See Also** • [Chapter 21](#), “:MEASure Power Commands,” starting on page 493

## :POWer:HARMonics:APPLy

**N** (see [page 1172](#))

### Command Syntax

`:POWer:HARMonics:APPLy`

The `:POWer:HARMonics:APPLy` command applies the current harmonics analysis.

Switching power supplies draw a range of harmonics from the AC mains.

Standard limits are set for these harmonics because these harmonics can travel back to the supply grid and cause problems with other devices on the grid.

Use the Current Harmonics analysis to test a switching power supply's current harmonics to pre-compliance standard of IEC61000-3-2 (Class A, B, C, or D). The analysis presents up to 40 harmonics.

- See Also**
- [":POWer:HARMonics:DATA"](#) on page 563
  - [":POWer:HARMonics:DISPlay"](#) on page 564
  - [":POWer:HARMonics:FAILcount"](#) on page 565
  - [":POWer:HARMonics:LINE"](#) on page 566
  - [":POWer:HARMonics:POWerfactor"](#) on page 567
  - [":POWer:HARMonics:STANdard"](#) on page 569
  - [":POWer:HARMonics:STATus"](#) on page 570
  - [":POWer:HARMonics:RUNCount"](#) on page 568
  - [":POWer:HARMonics:THD"](#) on page 571

## :POWer:HARMonics:DATA

**N** (see [page 1172](#))

**Query Syntax** :POWer:HARMonics:DATA?

The :POWer:HARMonics:DATA query returns the power harmonics results table data.

**Return Format** <binary\_block> ::= comma-separated data with newlines at the end of each row

- See Also**
- [":POWer:HARMonics:APPLY"](#) on page 562
  - [":POWer:HARMonics:DISPlay"](#) on page 564
  - [":POWer:HARMonics:FAILcount"](#) on page 565
  - [":POWer:HARMonics:LINE"](#) on page 566
  - [":POWer:HARMonics:POWerfactor"](#) on page 567
  - [":POWer:HARMonics:RUNCount"](#) on page 568
  - [":POWer:HARMonics:STANdard"](#) on page 569
  - [":POWer:HARMonics:STATus"](#) on page 570
  - [":POWer:HARMonics:THD"](#) on page 571

## :POWer:HARMonics:DISPlay

**N** (see [page 1172](#))

**Command Syntax** :POWer:HARMonics:DISPlay <display>

<display> ::= {TABLE | BAR | OFF}

The :POWer:HARMonics:DISPlay command specifies how to display the current harmonics analysis results:

- TABLE
- BAR – Bar chart.
- OFF – Harmonics measurement results are not displayed.

**Query Syntax** :POWer:HARMonics:DISPlay?

The :POWer:HARMonics:DISPlay query returns the display setting.

**Return Format** <display><NL>

<display> ::= {TABL | BAR | OFF}

- See Also**
- [":POWer:HARMonics:APPLy"](#) on page 562
  - [":POWer:HARMonics:DATA"](#) on page 563
  - [":POWer:HARMonics:FAILcount"](#) on page 565
  - [":POWer:HARMonics:LINE"](#) on page 566
  - [":POWer:HARMonics:POWerfactor"](#) on page 567
  - [":POWer:HARMonics:RUNCount"](#) on page 568
  - [":POWer:HARMonics:STANdard"](#) on page 569
  - [":POWer:HARMonics:STATus"](#) on page 570
  - [":POWer:HARMonics:THD"](#) on page 571

## :POWer:HARMonics:FAILcount

**N** (see [page 1172](#))

**Query Syntax** :POWer:HARMonics:FAILcount?

Returns the current harmonics analysis' fail count. Non Spec values (that is, harmonics values not specified by the selected standard) are not counted.

**Return Format** <count><NL>

<count> ::= integer in NR1 format

- See Also**
- [":POWer:HARMonics:RUNCount"](#) on page 568
  - [":POWer:HARMonics:APPLY"](#) on page 562
  - [":POWer:HARMonics:DATA"](#) on page 563
  - [":POWer:HARMonics:DISPlay"](#) on page 564
  - [":POWer:HARMonics:LINE"](#) on page 566
  - [":POWer:HARMonics:POWerfactor"](#) on page 567
  - [":POWer:HARMonics:STANdard"](#) on page 569
  - [":POWer:HARMonics:STATus"](#) on page 570
  - [":POWer:HARMonics:THD"](#) on page 571

## :POWer:HARMonics:LINE

**N** (see [page 1172](#))

**Command Syntax** :POWer:HARMonics:LINE <frequency>

<frequency> ::= {F50 | F60 | F400}

The :POWer:HARMonics:LINE command specifies the line frequency setting for the current carmonics analysis:

- F50 – 50 Hz.
- F60 – 60 Hz.
- F400 – 400 Hz.

**Query Syntax** :POWer:HARMonics:LINE?

The :POWer:HARMonics:LINE query returns the line frequency setting.

**Return Format** <frequency><NL>

<frequency> ::= {F50 | F60 | F400}

- See Also**
- [":POWer:HARMonics:APPLy"](#) on page 562
  - [":POWer:HARMonics:DATA"](#) on page 563
  - [":POWer:HARMonics:DISPlay"](#) on page 564
  - [":POWer:HARMonics:FAILcount"](#) on page 565
  - [":POWer:HARMonics:POWerfactor"](#) on page 567
  - [":POWer:HARMonics:RUNCount"](#) on page 568
  - [":POWer:HARMonics:STANdard"](#) on page 569
  - [":POWer:HARMonics:STATus"](#) on page 570
  - [":POWer:HARMonics:THD"](#) on page 571

## :POWer:HARMonics:POWerfactor

**N** (see [page 1172](#))

**Query Syntax** :POWer:HARMonics:POWerfactor?

The :POWer:HARMonics:POWerfactor query returns the power factor for IEC 61000-3-2 Standard Class C power factor value.

**Return Format** <value> ::= Class C power factor in NR3 format

- See Also**
- [":POWer:HARMonics:APPLy"](#) on page 562
  - [":POWer:HARMonics:DATA"](#) on page 563
  - [":POWer:HARMonics:DISPlay"](#) on page 564
  - [":POWer:HARMonics:FAILcount"](#) on page 565
  - [":POWer:HARMonics:LINE"](#) on page 566
  - [":POWer:HARMonics:RUNCount"](#) on page 568
  - [":POWer:HARMonics:STANdard"](#) on page 569
  - [":POWer:HARMonics:STATus"](#) on page 570
  - [":POWer:HARMonics:THD"](#) on page 571

## :POWer:HARMonics:RUNCount

**N** (see [page 1172](#))

**Query Syntax** :POWer:HARMonics:RUNCount?

Returns the current harmonics analysis' run iteration count. Non Spec values (that is, harmonics values not specified by the selected standard) are not counted.

**Return Format** <count><NL>

<count> ::= integer in NR1 format

- See Also**
- [":POWer:HARMonics:FAILcount"](#) on page 565
  - [":POWer:HARMonics:APPLy"](#) on page 562
  - [":POWer:HARMonics:DATA"](#) on page 563
  - [":POWer:HARMonics:DISPlay"](#) on page 564
  - [":POWer:HARMonics:LINE"](#) on page 566
  - [":POWer:HARMonics:POWerfactor"](#) on page 567
  - [":POWer:HARMonics:STANdard"](#) on page 569
  - [":POWer:HARMonics:STATus"](#) on page 570
  - [":POWer:HARMonics:THD"](#) on page 571



## :POWer:HARMonics:STANdard

**N** (see [page 1172](#))

**Command Syntax** :POWer:HARMonics:STANdard <class>

<class> ::= {A | B | C | D}

The :POWer:HARMonics:STANdard command selects the standard to perform current harmonics compliance testing on.

- A – IEC 61000-3-2 Class A – for balanced three-phase equipment, household appliances (except equipment identified as Class D), tools excluding portable tools, dimmers for incandescent lamps, and audio equipment.
- B – IEC 61000-3-2 Class B – for portable tools.
- C – IEC 61000-3-2 Class C – for lighting equipment.
- D – IEC 61000-3-2 Class D – for equipment having a specified power according less than or equal to 600 W, of the following types: personal computers and personal computer monitors, television receivers.

**Query Syntax** :POWer:HARMonics:STANdard?

The :POWer:HARMonics:STANdard query returns the currently set IEC 61000-3-2 standard.

**Return Format** <class><NL>

<class> ::= {A | B | C | D}

- See Also**
- [":POWer:HARMonics:APPLy"](#) on page 562
  - [":POWer:HARMonics:DATA"](#) on page 563
  - [":POWer:HARMonics:DISPlay"](#) on page 564
  - [":POWer:HARMonics:FAILcount"](#) on page 565
  - [":POWer:HARMonics:LINE"](#) on page 566
  - [":POWer:HARMonics:POWerfactor"](#) on page 567
  - [":POWer:HARMonics:RUNCount"](#) on page 568
  - [":POWer:HARMonics:STATus"](#) on page 570
  - [":POWer:HARMonics:THD"](#) on page 571

## :POWer:HARMonics:STATus

**N** (see [page 1172](#))

**Query Syntax** :POWer:HARMonics:STATus?

The :POWer:HARMonics:STATus query returns the overall pass/fail status of the current harmonics analysis.

**Return Format** <status> ::= {PASS | FAIL | UNTested}

- See Also**
- [":POWer:HARMonics:RUNCount"](#) on page 568
  - [":POWer:HARMonics:FAILcount"](#) on page 565
  - [":POWer:HARMonics:APPLY"](#) on page 562
  - [":POWer:HARMonics:DATA"](#) on page 563
  - [":POWer:HARMonics:DISPlay"](#) on page 564
  - [":POWer:HARMonics:LINE"](#) on page 566
  - [":POWer:HARMonics:POWerfactor"](#) on page 567
  - [":POWer:HARMonics:STANdard"](#) on page 569
  - [":POWer:HARMonics:THD"](#) on page 571

## :POWer:HARMonics:THD

**N** (see [page 1172](#))

**Query Syntax** :POWer:HARMonics:THD?

The :POWer:HARMonics:THD query returns the Total Harmonics Distortion (THD) results of the current harmonics analysis.

**Return Format** <value> ::= Total Harmonics Distortion in NR3 format

- See Also**
- [":POWer:HARMonics:APPLy"](#) on page 562
  - [":POWer:HARMonics:DATA"](#) on page 563
  - [":POWer:HARMonics:DISPlay"](#) on page 564
  - [":POWer:HARMonics:FAILcount"](#) on page 565
  - [":POWer:HARMonics:LINE"](#) on page 566
  - [":POWer:HARMonics:POWerfactor"](#) on page 567
  - [":POWer:HARMonics:RUNCount"](#) on page 568
  - [":POWer:HARMonics:STANdard"](#) on page 569
  - [":POWer:HARMonics:STATus"](#) on page 570

## :POWer:INRush:APPLy

**N** (see [page 1172](#))

**Command Syntax** :POWer:INRush:APPLy

The :POWer:INRush:APPLy command applies the inrush current analysis.

The Inrush current analysis measures the peak inrush current of the power supply when the power supply is first turned on.

- See Also**
- [":MEASure:PCURrent"](#) on page 507
  - [":POWer:INRush:EXIT"](#) on page 573
  - [":POWer:INRush:NEXT"](#) on page 574

## :POWer:INRush:EXIT

**N** (see [page 1172](#))

**Command Syntax** :POWer:INRush:EXIT

The :POWer:INRush:EXIT command exits (stops) the inrush current power analysis.

This command is equivalent to pressing the **Exit** softkey on the oscilloscope front panel during the analysis.

- See Also**
- [":POWer:INRush:APPLY"](#) on page 572
  - [":POWer:INRush:NEXT"](#) on page 574

## :POWer:INRush:NEXT

**N** (see [page 1172](#))

**Command Syntax** :POWer:INRush:NEXT

The :POWer:INRush:NEXT command goes to the next step of the inrush current analysis.

This command is equivalent to pressing the **Next** softkey on the oscilloscope front panel when prompted during the analysis.

- See Also**
- [":POWer:INRush:APPLY"](#) on page 572
  - [":POWer:INRush:EXIT"](#) on page 573

## :POWer:MODulation:APPLY

**N** (see [page 1172](#))

**Command Syntax** :POWer:MODulation:APPLY

The :POWer:MODulation:APPLY command applies the selected modulation analysis type (:POWer:MODulation:TYPE).

The Modulation analysis measures the control pulse signal to a switching device (MOSFET) and observes the trending of the pulse width, duty cycle, period, frequency, etc. of the control pulse signal.

- See Also**
- [":POWer:MODulation:SOURce"](#) on page 576
  - [":POWer:MODulation:TYPE"](#) on page 577
  - [":MEASure:VAverage"](#) on page 481
  - [":MEASure:VRMS"](#) on page 487
  - [":MEASure:VRATio"](#) on page 486
  - [":MEASure:PERiod"](#) on page 457
  - [":MEASure:FREQuency"](#) on page 449
  - [":MEASure:PWIDth"](#) on page 461
  - [":MEASure:NWIDth"](#) on page 453
  - [":MEASure:DUTYcycle"](#) on page 447
  - [":MEASure:RISetime"](#) on page 465
  - [":MEASure:FALLtime"](#) on page 448

## :POWer:MODulation:SOURce

**N** (see [page 1172](#))

**Command Syntax** :POWer:MODulation:SOURce <source>

<source> ::= {V | I}

The :POWer:MODulation:SOURce command selects either the voltage source or the current source as the source for the modulation analysis.

**Query Syntax** :POWer:MODulation:SOURce?

The :POWer:MODulation:SOURce query returns the selected source for the modulation analysis.

**Return Format** <source><NL>

<source> ::= {V | I}

- See Also**
- [":POWer:MODulation:APPLY"](#) on page 575
  - [":POWer:MODulation:TYPE"](#) on page 577



## :POWer:MODulation:TYPE

**N** (see [page 1172](#))

**Command Syntax** :POWer:MODulation:TYPE <modulation>  
 <modulation> ::= {VAverage | ACRMs | VRATio | PERiod | FREQuency  
 | PWIDith | NWIDth | DUTYcycle | RISetime | FALLtime}

The :POWer:MODulation:TYPE command selects the type of measurement to make in the modulation analysis:

- VAVerage
- ACRMs
- VRATio
- PERiod
- FREQuency
- PWIDth (positive pulse width)
- NWIDth (negative pulse width)
- DUTYcycle
- RISetime
- FALLtime

**Query Syntax** :POWer:MODulation:TYPE?

The :POWer:MODulation:TYPE query returns the modulation type setting.

**Return Format** <modulation><NL>  
 <modulation> ::= {VAV | ACRM | VRAT | PER | FREQ | PWID | NWID | DUTY  
 | RIS | FALL}

- See Also**
- [":POWer:MODulation:SOURce"](#) on page 576
  - [":POWer:MODulation:APPLY"](#) on page 575
  - [":MEASure:VAVerage"](#) on page 481
  - [":MEASure:VRMS"](#) on page 487
  - [":MEASure:VRATio"](#) on page 486
  - [":MEASure:PERiod"](#) on page 457
  - [":MEASure:FREQuency"](#) on page 449
  - [":MEASure:PWIDth"](#) on page 461
  - [":MEASure:NWIDth"](#) on page 453
  - [":MEASure:DUTYcycle"](#) on page 447
  - [":MEASure:RISetime"](#) on page 465
  - [":MEASure:FALLtime"](#) on page 448

## :POWer:ONOFF:APPLy

**N** (see [page 1172](#))

**Command Syntax** :POWer:ONOFF:APPLy

The :POWer:ONOFF:APPLy command applies the selected turn on/off analysis test (:POWer:ONOFF:TEST).

- See Also**
- [":POWer:SIGNals:VSTeady:ONOFF:OFF"](#) on page 603
  - [":POWer:SIGNals:VSTeady:ONOFF:ON"](#) on page 604
  - [":MEASure:ONTime"](#) on page 505
  - [":MEASure:OFFTime"](#) on page 504
  - [":POWer:ONOFF:TEST"](#) on page 581
  - [":POWer:ONOFF:EXIT"](#) on page 579
  - [":POWer:ONOFF:NEXT"](#) on page 580

## :POWer:ONOFF:EXIT

**N** (see [page 1172](#))

**Command Syntax** :POWer:ONOFF:EXIT

The :POWer:ONOFF:EXIT command exits (stops) the turn on time/turn off time analysis.

This command is equivalent to pressing the **Exit** softkey on the oscilloscope front panel during the analysis.

- See Also**
- [":POWer:ONOFF:APPLY"](#) on page 578
  - [":POWer:ONOFF:NEXT"](#) on page 580
  - [":POWer:ONOFF:TEST"](#) on page 581

## :POWer:ONOFF:NEXT

**N** (see [page 1172](#))

**Command Syntax** :POWer:ONOFF:NEXT

The :POWer:ONOFF:NEXT command goes to the next step of the turn on/turn off analysis.

This command is equivalent to pressing the **Next** softkey on the oscilloscope front panel when prompted during the analysis.

- See Also**
- [":POWer:ONOFF:APPLY"](#) on page 578
  - [":POWer:ONOFF:EXIT"](#) on page 579
  - [":POWer:ONOFF:TEST"](#) on page 581

## :POWer:ONOFF:TEST

**N** (see [page 1172](#))

**Command Syntax** :POWer:ONOFF:TEST {{0 | OFF} | {1 | ON}}

The :POWer:ONOFF:TEST command selects whether turn on or turn off analysis is performed:

- ON – Turn On – measures the time taken to get the output voltage of the power supply after the input voltage is applied.
- OFF – Turn Off – measures the time taken for the output voltage of the power supply to turn off after the input voltage is removed.

**Query Syntax** :POWer:ONOFF:TEST?

The :POWer:ONOFF:TEST query returns the selected test type.

**Return Format** {0 | 1}

- See Also**
- [":POWer:ONOFF:APPLY"](#) on page 578
  - [":POWer:ONOFF:EXIT"](#) on page 579
  - [":POWer:ONOFF:NEXT"](#) on page 580

## :POWer:PSRR:APPLy

**N** (see [page 1172](#))

### Command Syntax

:POWer:PSRR:APPLy

The :POWer:PSRR:APPLy command applies the power supply rejection ratio (PSRR) analysis.

The Power Supply Rejection Ratio (PSRR) test is used to determine how well a voltage regulator rejects ripple noise over different frequency range.

This analysis provides a signal from the oscilloscope's waveform generator that sweeps its frequency. This signal is used to inject ripple to the DC voltage that feeds the voltage regulator.

The AC RMS ratio of the input over the output is measured and is plotted over the range of frequencies.

- See Also**
- [":POWer:PSRR:FREQuency:MAXimum"](#) on page 583
  - [":POWer:PSRR:FREQuency:MINimum"](#) on page 584
  - [":POWer:PSRR:RMAXimum"](#) on page 585

## :POWer:PSRR:FREQuency:MAXimum

**N** (see [page 1172](#))

**Command Syntax** :POWer:PSRR:FREQuency:MAXimum <value>[suffix]

<value> ::= {100 | 1000 | 10000 | 100000 | 1000000 | 10000000  
| 20000000}

[suffix] ::= {Hz | kHz | MHz}

The :POWer:PSRR:FREQuency:MAXimum command sets the end sweep frequency value. The PSRR measurement is displayed on a log scale, so you can select from decade values in addition to the maximum frequency of 20 MHz.

**Query Syntax** :POWer:PSRR:FREQuency:MAXimum?

The :POWer:PSRR:FREQuency:MAXimum query returns the maximum sweep frequency setting.

**Return Format** <value><NL>

<value> ::= {10 | 100 | 1000 | 10000 | 100000 | 1000000 | 10000000  
| 20000000}

- See Also**
- [":POWer:PSRR:APPLY"](#) on page 582
  - [":POWer:PSRR:FREQuency:MINimum"](#) on page 584
  - [":POWer:PSRR:RMAXimum"](#) on page 585

## :POWer:PSRR:FREQuency:MINimum

**N** (see [page 1172](#))

**Command Syntax** :POWer:PSRR:FREQuency:MINimum <value>[suffix]  
 <value> ::= {20 | 100 | 1000 | 10000 | 100000 | 1000000 | 10000000}  
 [suffix] ::= {Hz | kHz | MHz}

The :POWer:PSRR:FREQuency:MINimum command sets the start sweep frequency value. The measurement is displayed on a log scale, so you can select from decade values.

**Query Syntax** :POWer:PSRR:FREQuency:MINimum?

The :POWer:PSRR:FREQuency:MINimum query returns the minimum sweep frequency setting.

**Return Format** <value><NL>  
 <value> ::= {1 | 10 | 100 | 1000 | 10000 | 100000 | 1000000 | 10000000}

- See Also**
- [":POWer:PSRR:APPLY"](#) on page 582
  - [":POWer:PSRR:FREQuency:MAXimum"](#) on page 583
  - [":POWer:PSRR:RMAXimum"](#) on page 585



## :POWer:PSRR:RMAXimum

**N** (see [page 1172](#))

**Command Syntax** :POWer:PSRR:RMAXimum <value>

<value> ::= Maximum ratio value in NR1 format

The :POWer:PSRR:RMAXimum command specifies the vertical scale of the PSRR math waveform.

**Query Syntax** :POWer:PSRR:RMAXimum?

The :POWer:PSRR:RMAXimum query returns the currently specified maximum ratio setting.

**Return Format** <value><NL>

<value> ::= Maximum ratio value in NR1 format

- See Also**
- [":POWer:PSRR:RMAXimum"](#) on page 585
  - [":POWer:PSRR:FREQuency:MAXimum"](#) on page 583
  - [":POWer:PSRR:FREQuency:MINimum"](#) on page 584

## :POWer:QUALity:APPLy

**N** (see [page 1172](#))

**Command Syntax** :POWer:QUALity:APPLy

The :POWer:QUALity:APPLy command applies the selected power quality analysis type (:POWer:QUALity:TYPE).

The power quality analysis shows the quality of the AC input line.

Some AC current may flow back into and back out of the load without delivering energy. This current, called reactive or harmonic current, gives rise to an "apparent" power which is larger than the actual power consumed. Power quality is gauged by these measurements: power factor, apparent power, true power, reactive power, crest factor, and phase angle of the current and voltage of the AC line.

- See Also**
- [":POWer:QUALity:TYPE"](#) on page 587
  - [":MEASure:FACTor"](#) on page 502
  - [":MEASure:REAL"](#) on page 510
  - [":MEASure:APParent"](#) on page 497
  - [":MEASure:REACTive"](#) on page 509
  - [":MEASure:CRESt"](#) on page 499
  - [":MEASure:ANGLE"](#) on page 496

## :POWER:QUALity:TYPE

**N** (see [page 1172](#))

**Command Syntax** :POWER:QUALity:TYPE <quality>

<quality> ::= {FACTor | REAL | APParent | REACTive | CRES | ANGLE}

The :POWER:QUALity:TYPE command selects the type of measurement to make in the power quality analysis:

- FACTor – Power Factor – Ratio of the actual power to the apparent power.
- REAL – Real (Actual) Power – The portion of power flow that, averaged over a complete cycle of the AC waveform, results in net transfer of energy in one direction.
- APParent – Apparent Power – The portion of power flow due to stored energy, which returns to the source in each cycle.
- REACTive – Reactive Power – The difference between apparent power and real power due to reactance.
- CRES – Crest Factor – Crest factor is the ratio between the instantaneous peak current/voltage required by the load and the RMS current/voltage (RMS stands for Root Mean Square, which is a type of average).
- ANGLE – Phase Angle – In the *power triangle* (the right triangle where  $\text{apparent\_power}^2 = \text{real\_power}^2 + \text{reactive\_power}^2$ ), phase angle is the angle between the apparent power and the real power, indicating the amount of reactive power.

**Query Syntax** :POWER:QUALity:TYPE?

The :POWER:QUALity:TYPE query returns the selected power quality measurement type.

**Return Format** <quality><NL>

<quality> ::= {FACT | REAL | APP | REAC | CRES | ANGL}

- See Also**
- [":MEASure:FACTor"](#) on page 502
  - [":MEASure:REAL"](#) on page 510
  - [":MEASure:APParent"](#) on page 497
  - [":MEASure:REACTive"](#) on page 509
  - [":MEASure:CRES"](#) on page 499
  - [":MEASure:ANGLE"](#) on page 496
  - [":POWER:QUALity:APPLY"](#) on page 586

## :POWer:RIPPlE:APPLy

**N** (see [page 1172](#))

**Command Syntax** :POWer:RIPPlE:APPLy

The :POWer:RIPPlE:APPLy command applies the output ripple analysis.

**See Also** • [":MEASure:RIPPlE"](#) on page 511

## :POWer:SIGNals:AUTosetup

**N** (see [page 1172](#))

**Command Syntax** :POWer:SIGNals:AUTosetup <analysis>  
 <analysis> ::= {HARMonics | EFFiciency | RIPPlE | MODulation | QUALity  
 | SLEW | SWITCh}

The :POWer:SIGNals:AUTosetup command performs automated oscilloscope setup for the signals in the specified type of power analysis.

- See Also**
- [":POWer:HARMonics:DISPlay"](#) on page 564
  - [":POWer:EFFiciency:APPLY"](#) on page 560
  - [":POWer:RIPPlE:APPLY"](#) on page 588
  - [":POWer:MODulation:APPLY"](#) on page 575
  - [":POWer:QUALity:APPLY"](#) on page 586
  - [":POWer:SLEW:APPLY"](#) on page 608
  - [":POWer:SWITCh:APPLY"](#) on page 610
  - [":POWer:SIGNals:CYCLes:HARMonics"](#) on page 590
  - [":POWer:SIGNals:CYCLes:QUALity"](#) on page 591
  - [":POWer:SIGNals:DURation:EFFiciency"](#) on page 592
  - [":POWer:SIGNals:DURation:MODulation"](#) on page 593
  - [":POWer:SIGNals:DURation:RIPPlE"](#) on page 596
  - [":POWer:SIGNals:IEXpected"](#) on page 598
  - [":POWer:SIGNals:OVERshoot"](#) on page 599
  - [":POWer:SIGNals:SOURce:CURRent<i>"](#) on page 606
  - [":POWer:SIGNals:SOURce:VOLTage<i>"](#) on page 607

## :POWer:SIGNals:CYCLes:HARMonics

**N** (see [page 1172](#))

**Command Syntax** :POWer:SIGNals:CYCLes:HARMonics <count>

<count> ::= integer in NR1 format

Legal values are 1 to 100.

The :POWer:SIGNals:CYCLes:HARMonics command specifies the number of cycles to include in the current harmonics analysis.

**Query Syntax** :POWer:SIGNals:CYCLes:HARMonics?

The :POWer:SIGNals:CYCLes:HARMonics query returns the number of cycles currently set.

**Return Format** <count><NL>

<count> ::= integer in NR1 format

- See Also**
- [":POWer:HARMonics:DISPlay"](#) on page 564
  - [":POWer:HARMonics:APPLy"](#) on page 562
  - [":POWer:SIGNals:AUTosetup"](#) on page 589
  - [":POWer:SIGNals:IEXPected"](#) on page 598
  - [":POWer:SIGNals:OVERshoot"](#) on page 599
  - [":POWer:SIGNals:SOURce:CURRent<i>"](#) on page 606
  - [":POWer:SIGNals:SOURce:VOLTage<i>"](#) on page 607

## :POWer:SIGNals:CYCLes:QUALity

**N** (see [page 1172](#))

**Command Syntax** :POWer:SIGNals:CYCLes:QUALity <count>

<count> ::= integer in NR1 format

Legal values are 1 to 100.

The :POWer:SIGNals:CYCLes:QUALity command specifies the number of cycles to include in the power quality analysis.

**Query Syntax** :POWer:SIGNals:CYCLes:QUALity?

The :POWer:SIGNals:CYCLes:QUALity query returns the number of cycles currently set.

**Return Format** <count><NL>

<count> ::= integer in NR1 format

- See Also**
- [":POWer:QUALity:APPLy"](#) on page 586
  - [":POWer:SIGNals:AUTosetup"](#) on page 589
  - [":POWer:SIGNals:IEXPected"](#) on page 598
  - [":POWer:SIGNals:OVERshoot"](#) on page 599
  - [":POWer:SIGNals:SOURce:CURRent<i>"](#) on page 606
  - [":POWer:SIGNals:SOURce:VOLTage<i>"](#) on page 607

## :POWer:SIGNals:DURation:EFFiciency

**N** (see [page 1172](#))

**Command Syntax** :POWer:SIGNals:DURation:EFFiciency <value>[suffix]

<value> ::= value in NR3 format

[suffix] ::= {s | ms | us | ns}

The :POWer:SIGNals:DURation:EFFiciency command specifies the duration of the efficiency analysis.

**Query Syntax** :POWer:SIGNals:DURation:EFFiciency?

The :POWer:SIGNals:DURation:EFFiciency query returns the set duration time value.

**Return Format** <value><NL>

<value> ::= value in NR3 format

- See Also**
- [":POWer:EFFiciency:APPLY"](#) on page 560
  - [":POWer:SIGNals:AUTOsetup"](#) on page 589
  - [":POWer:SIGNals:IEXpected"](#) on page 598
  - [":POWer:SIGNals:OVERshoot"](#) on page 599
  - [":POWer:SIGNals:SOURce:CURRENT<i>"](#) on page 606
  - [":POWer:SIGNals:SOURce:VOLTage<i>"](#) on page 607



## :POWer:SIGNals:DURation:MODulation

**N** (see [page 1172](#))

**Command Syntax** :POWer:SIGNals:DURation:MODulation <value>[suffix]

<value> ::= value in NR3 format

[suffix] ::= {s | ms | us | ns}

The :POWer:SIGNals:DURation:MODulation command specifies the duration of the modulation analysis.

**Query Syntax** :POWer:SIGNals:DURation:MODulation?

The :POWer:SIGNals:DURation:MODulation query returns the set duration time value.

**Return Format** <value><NL>

<value> ::= value in NR3 format

- See Also**
- [":POWer:MODulation:APPLy"](#) on page 575
  - [":POWer:SIGNals:AUTosetup"](#) on page 589
  - [":POWer:SIGNals:IEXPected"](#) on page 598
  - [":POWer:SIGNals:OVERshoot"](#) on page 599
  - [":POWer:SIGNals:SOURce:CURRent<i>"](#) on page 606
  - [":POWer:SIGNals:SOURce:VOLTage<i>"](#) on page 607

## :POWer:SIGNals:DURation:ONOFF:OFF

**N** (see [page 1172](#))

**Command Syntax** :POWer:SIGNals:DURation:ONOFF:OFF <value>[suffix]

<value> ::= value in NR3 format

[suffix] ::= {s | ms | us | ns}

The :POWer:SIGNals:DURation:ONOFF:OFF command specifies the duration of the turn off analysis.

**Query Syntax** :POWer:SIGNals:DURation:ONOFF:OFF?

The :POWer:SIGNals:DURation:ONOFF:OFF query returns the set duration time value.

**Return Format** <value><NL>

<value> ::= value in NR3 format

- See Also**
- [":POWer:ONOFF:APPLY"](#) on page 578
  - [":POWer:SIGNals:AUTOsetup"](#) on page 589
  - [":POWer:SIGNals:IEXpected"](#) on page 598
  - [":POWer:SIGNals:OVERshoot"](#) on page 599
  - [":POWer:SIGNals:VMAXimum:ONOFF:OFF"](#) on page 601
  - [":POWer:SIGNals:VSTeady:ONOFF:OFF"](#) on page 603
  - [":POWer:SIGNals:SOURce:CURRENT<i>"](#) on page 606
  - [":POWer:SIGNals:SOURce:VOLTage<i>"](#) on page 607

## :POWer:SIGNals:DURation:ONOFF:ON

**N** (see [page 1172](#))

**Command Syntax** :POWer:SIGNals:DURation:ONOFF:ON <value> [suffix]

<value> ::= value in NR3 format

[suffix] ::= {s | ms | us | ns}

The :POWer:SIGNals:DURation:ONOFF:ON command specifies the duration of the turn on analysis.

**Query Syntax** :POWer:SIGNals:DURation:ONOFF:ON?

The :POWer:SIGNals:DURation:ONOFF:ON query returns the set duration time value.

**Return Format** <value><NL>

<value> ::= value in NR3 format

- See Also**
- [":POWer:ONOFF:APPLY"](#) on page 578
  - [":POWer:SIGNals:AUTOsetup"](#) on page 589
  - [":POWer:SIGNals:IEXpected"](#) on page 598
  - [":POWer:SIGNals:OVERshoot"](#) on page 599
  - [":POWer:SIGNals:VMAXimum:ONOFF:ON"](#) on page 602
  - [":POWer:SIGNals:VSTeady:ONOFF:ON"](#) on page 604
  - [":POWer:SIGNals:SOURce:CURRENT<i>"](#) on page 606
  - [":POWer:SIGNals:SOURce:VOLTage<i>"](#) on page 607

## :POWer:SIGNals:DURation:RIPPlE

**N** (see [page 1172](#))

**Command Syntax** :POWer:SIGNals:DURation:RIPPlE <value>[suffix]

<value> ::= value in NR3 format

[suffix] ::= {s | ms | us | ns}

The :POWer:SIGNals:DURation:RIPPlE command specifies the duration of the output ripple analysis.

**Query Syntax** :POWer:SIGNals:DURation:RIPPlE?

The :POWer:SIGNals:DURation:RIPPlE query returns the set duration time value.

**Return Format** <value><NL>

<value> ::= value in NR3 format

- See Also**
- [":POWer:RIPPlE:APPLy"](#) on page 588
  - [":POWer:SIGNals:AUTosetup"](#) on page 589
  - [":POWer:SIGNals:IEXPeCted"](#) on page 598
  - [":POWer:SIGNals:OVERshoot"](#) on page 599
  - [":POWer:SIGNals:SOURce:CURRent<i>"](#) on page 606
  - [":POWer:SIGNals:SOURce:VOLTage<i>"](#) on page 607

## :POWer:SIGNals:DURation:TRANsient

**N** (see [page 1172](#))

**Command Syntax** :POWer:SIGNals:DURation:TRANsient <value>[suffix]

<value> ::= value in NR3 format

[suffix] ::= {s | ms | us | ns}

The :POWer:SIGNals:DURation:TRANsient command specifies the duration of the transient response analysis.

**Query Syntax** :POWer:SIGNals:DURation:TRANsient?

The :POWer:SIGNals:DURation:TRANsient query returns the set duration time value.

**Return Format** <value><NL>

<value> ::= value in NR3 format

- See Also**
- [":POWer:TRANsient:APPLY"](#) on page 616
  - [":POWer:SIGNals:AUTosetup"](#) on page 589
  - [":POWer:SIGNals:IEXPected"](#) on page 598
  - [":POWer:SIGNals:OVERshoot"](#) on page 599
  - [":POWer:SIGNals:VSTeady:TRANsient"](#) on page 605
  - [":POWer:SIGNals:SOURce:CURRENT<i>"](#) on page 606
  - [":POWer:SIGNals:SOURce:VOLTage<i>"](#) on page 607

**:POWer:SIGNals:IEXPected**

**N** (see [page 1172](#))

**Command Syntax**    `:POWer:SIGNals:IEXPected <value>[suffix]`  
                           `<value> ::= Expected current value in NR3 format`  
                           `[suffix] ::= {A | mA}`

The `:POWer:SIGNals:IEXPected` command specifies the expected inrush current amplitude. This value is used to set the vertical scale of the channel probing current.

**Query Syntax**        `:POWer:SIGNals:IEXPected?`

The `:POWer:SIGNals:IEXPected` query returns the expected inrush current setting.

**Return Format**        `<value><NL>`  
                           `<value> ::= Expected current value in NR3 format`

- See Also**
- [":POWer:INRush:APPLY"](#) on page 572
  - [":POWer:SIGNals:AUTOsetup"](#) on page 589
  - [":POWer:SIGNals:OVERshoot"](#) on page 599
  - [":POWer:SIGNals:VMAXimum:INRush"](#) on page 600
  - [":POWer:SIGNals:SOURce:CURRENT<i>"](#) on page 606
  - [":POWer:SIGNals:SOURce:VOLTage<i>"](#) on page 607

## :POWer:SIGNals:OVERshoot

**N** (see [page 1172](#))

**Command Syntax** :POWer:SIGNals:OVERshoot <percent>

<percent> ::= percent of overshoot value in NR1 format

The :POWer:SIGNals:OVERshoot command specifies the percent of overshoot of the output voltage. This value is used to determine the settling band value for the transient response and to adjust the vertical scale of the oscilloscope.

**Query Syntax** :POWer:SIGNals:OVERshoot?

The :POWer:SIGNals:OVERshoot query returns the overshoot percent setting.

**Return Format** <percent><NL>

<percent> ::= percent of overshoot value in NR1 format

- See Also**
- [":POWer:TRANsient:APPLY"](#) on page 616
  - [":POWer:SIGNals:AUTOsetup"](#) on page 589
  - [":POWer:SIGNals:DURATION:TRANsient"](#) on page 597
  - [":POWer:SIGNals:IEXpected"](#) on page 598
  - [":POWer:SIGNals:VSTEady:TRANsient"](#) on page 605
  - [":POWer:SIGNals:SOURce:CURRENT<i>"](#) on page 606
  - [":POWer:SIGNals:SOURce:VOLTage<i>"](#) on page 607

## :POWer:SIGNals:VMAXimum:INRush

**N** (see [page 1172](#))

**Command Syntax** :POWer:SIGNals:VMAXimum:INRush <value>[suffix]

<value> ::= Maximum expected input Voltage in NR3 format

[suffix] ::= {V | mV}

The :POWer:SIGNals:VMAXimum:INRush command specifies the maximum expected input voltage. This value is used to set the vertical scale of the channel probing voltage for inrush current analysis.

**Query Syntax** :POWer:SIGNals:VMAXimum:INRush?

The :POWer:SIGNals:VMAXimum:INRush query returns the expected maximum input voltage setting.

**Return Format** <value><NL>

<value> ::= Maximum expected input Voltage in NR3 format

- See Also**
- [":POWer:INRush:APPLY"](#) on page 572
  - [":POWer:SIGNals:AUTosetup"](#) on page 589
  - [":POWer:SIGNals:IEXPected"](#) on page 598
  - [":POWer:SIGNals:OVERshoot"](#) on page 599
  - [":POWer:SIGNals:SOURce:CURRent<i>"](#) on page 606
  - [":POWer:SIGNals:SOURce:VOLTage<i>"](#) on page 607



## :POWer:SIGNals:VMAXimum:ONOFF:OFF

**N** (see [page 1172](#))

**Command Syntax** :POWer:SIGNals:VMAXimum:ONOFF:OFF <value>[suffix]  
 <value> ::= Maximum expected input Voltage in NR3 format  
 [suffix] ::= {V | mV}

The :POWer:SIGNals:VMAXimum:ONOFF:OFF command specifies the maximum expected input voltage. This value is used to set the vertical scale of the channel probing voltage for turn off analysis.

**Query Syntax** :POWer:SIGNals:VMAXimum:ONOFF:OFF?

The :POWer:SIGNals:VMAXimum:ONOFF:OFF query returns the expected maximum input voltage setting.

**Return Format** <value><NL>  
 <value> ::= Maximum expected input Voltage in NR3 format

- See Also**
- [":POWer:ONOFF:APPLY"](#) on page 578
  - [":POWer:SIGNals:AUTosetup"](#) on page 589
  - [":POWer:SIGNals:DURation:ONOFF:OFF"](#) on page 594
  - [":POWer:SIGNals:IEXPected"](#) on page 598
  - [":POWer:SIGNals:OVERshoot"](#) on page 599
  - [":POWer:SIGNals:VSTeady:ONOFF:OFF"](#) on page 603
  - [":POWer:SIGNals:SOURce:CURRent<i>"](#) on page 606
  - [":POWer:SIGNals:SOURce:VOLTage<i>"](#) on page 607

## :POWer:SIGNals:VMAXimum:ONOFF:ON

**N** (see [page 1172](#))

**Command Syntax** :POWer:SIGNals:VMAXimum:ONOFF:ON <value>[suffix]  
 <value> ::= Maximum expected input Voltage in NR3 format  
 [suffix] ::= {V | mV}

The :POWer:SIGNals:VMAXimum:ONOFF:ON command specifies the maximum expected input voltage. This value is used to set the vertical scale of the channel probing voltage for turn on analysis.

**Query Syntax** :POWer:SIGNals:VMAXimum:ONOFF:ON?

The :POWer:SIGNals:VMAXimum:ONOFF:ON query returns the expected maximum input voltage setting.

**Return Format** <value><NL>  
 <value> ::= Maximum expected input Voltage in NR3 format

- See Also**
- [":POWer:ONOFF:APPLY"](#) on page 578
  - [":POWer:SIGNals:AUTosetup"](#) on page 589
  - [":POWer:SIGNals:DURation:ONOFF:ON"](#) on page 595
  - [":POWer:SIGNals:IEXpected"](#) on page 598
  - [":POWer:SIGNals:OVERshoot"](#) on page 599
  - [":POWer:SIGNals:VSTeady:ONOFF:ON"](#) on page 604
  - [":POWer:SIGNals:SOURce:CURREnt<i>"](#) on page 606
  - [":POWer:SIGNals:SOURce:VOLTage<i>"](#) on page 607

## :POWer:SIGNals:VSTeady:ONOFF:OFF

**N** (see [page 1172](#))

**Command Syntax** :POWer:SIGNals:VSTeady:ONOFF:OFF <value>[suffix]  
 <value> ::= Expected steady state output Voltage value in NR3 format  
 [suffix] ::= {V | mV}

The :POWer:SIGNals:VSTeady:ONOFF:OFF command specifies the expected steady state output DC voltage of the power supply for turn off analysis.

**Query Syntax** :POWer:SIGNals:VSTeady:ONOFF:OFF?

The :POWer:SIGNals:VSTeady:ONOFF:OFF query returns the expected steady state voltage setting.

**Return Format** <value><NL>  
 <value> ::= Expected steady state output Voltage value in NR3 format

- See Also**
- [":POWer:ONOFF:APPLY"](#) on page 578
  - [":POWer:SIGNals:AUTosetup"](#) on page 589
  - [":POWer:SIGNals:DURation:ONOFF:OFF"](#) on page 594
  - [":POWer:SIGNals:IEXpected"](#) on page 598
  - [":POWer:SIGNals:OVERshoot"](#) on page 599
  - [":POWer:SIGNals:VMAXimum:ONOFF:OFF"](#) on page 601
  - [":POWer:SIGNals:SOURce:CURRENT<i>"](#) on page 606
  - [":POWer:SIGNals:SOURce:VOLTage<i>"](#) on page 607

## :POWer:SIGNals:VSTeady:ONOff:ON

**N** (see [page 1172](#))

**Command Syntax** :POWer:SIGNals:VSTeady:ONOff:ON <value>[suffix]

<value> ::= Expected steady state output Voltage value in NR3 format

[suffix] ::= {V | mV}

The :POWer:SIGNals:VSTeady:ONOff:ON command specifies the expected steady state output DC voltage of the power supply for turn on analysis.

**Query Syntax** :POWer:SIGNals:VSTeady:ONOff:ON?

The :POWer:SIGNals:VSTeady:ONOff:ON query returns the expected steady state voltage setting.

**Return Format** <value><NL>

<value> ::= Expected steady state output Voltage value in NR3 format

- See Also**
- [":POWer:ONOff:APPLy"](#) on page 578
  - [":POWer:SIGNals:AUToSetup"](#) on page 589
  - [":POWer:SIGNals:DURation:ONOff:ON"](#) on page 595
  - [":POWer:SIGNals:IXPected"](#) on page 598
  - [":POWer:SIGNals:OVERshoot"](#) on page 599
  - [":POWer:SIGNals:VMAXimum:ONOff:ON"](#) on page 602
  - [":POWer:SIGNals:SOURce:CURREnt<i>"](#) on page 606
  - [":POWer:SIGNals:SOURce:VOLTage<i>"](#) on page 607

## :POWer:SIGNals:VSTeady:TRANsient

**N** (see [page 1172](#))

**Command Syntax** :POWer:SIGNals:VSTeady:TRANsient <value>[suffix]

<value> ::= Expected steady state output Voltage value in NR3 format

[suffix] ::= {V | mV}

The :POWer:SIGNals:VSTeady:TRANsient command specifies the expected steady state output DC voltage of the power supply for transient response analysis.

This value is used along with the overshoot percentage to specify the settling band for the transient response and to adjust the vertical scale of the oscilloscope.

**Query Syntax** :POWer:SIGNals:VSTeady:TRANsient?

The :POWer:SIGNals:VSTeady:TRANsient query returns the expected steady state voltage setting.

**Return Format** <value><NL>

<value> ::= Expected steady state output Voltage value in NR3 format

- See Also**
- [":POWer:TRANsient:APPLy"](#) on page 616
  - [":POWer:SIGNals:AUTosetup"](#) on page 589
  - [":POWer:SIGNals:DUration:TRANsient"](#) on page 597
  - [":POWer:SIGNals:IXPected"](#) on page 598
  - [":POWer:SIGNals:OVERshoot"](#) on page 599
  - [":POWer:SIGNals:SOURce:CURRent<i>"](#) on page 606
  - [":POWer:SIGNals:SOURce:VOLTage<i>"](#) on page 607

## :POWer:SIGNals:SOURce:CURRent&lt;i&gt;

**N** (see [page 1172](#))

**Command Syntax** :POWer:SIGNals:SOURce:CURRent<i> <source>

<i> ::= 1, 2 in NR1 format

<source> ::= CHANnel<n>

<n> ::= 1 to (# analog channels) in NR1 format

The :POWer:SIGNals:SOURce:CURRent<i> command specifies the first, and perhaps second, current source channel to be used in the power analysis.

**Query Syntax** :POWer:SIGNals:SOURce:CURRent<i>?

The :POWer:SIGNals:SOURce:CURRent<i> query returns the current source channel setting.

**Return Format** <source><NL>

<source> ::= CHANnel<n>

<n> ::= 1 to (# analog channels) in NR1 format

- See Also**
- [":POWer:SIGNals:AUTOsetup"](#) on page 589
  - [":POWer:SIGNals:CYCLes:HARMonics"](#) on page 590
  - [":POWer:SIGNals:CYCLes:QUALity"](#) on page 591
  - [":POWer:SIGNals:DURation:EFFiciency"](#) on page 592
  - [":POWer:SIGNals:DURation:MODulation"](#) on page 593
  - [":POWer:SIGNals:DURation:ONOFF:OFF"](#) on page 594
  - [":POWer:SIGNals:DURation:ONOFF:ON"](#) on page 595
  - [":POWer:SIGNals:DURation:RIPple"](#) on page 596
  - [":POWer:SIGNals:DURation:TRANsient"](#) on page 597
  - [":POWer:SIGNals:IEXpected"](#) on page 598
  - [":POWer:SIGNals:OVERshoot"](#) on page 599
  - [":POWer:SIGNals:VMAXimum:INRush"](#) on page 600
  - [":POWer:SIGNals:VMAXimum:ONOFF:OFF"](#) on page 601
  - [":POWer:SIGNals:VMAXimum:ONOFF:ON"](#) on page 602
  - [":POWer:SIGNals:VSTeady:ONOFF:OFF"](#) on page 603
  - [":POWer:SIGNals:VSTeady:ONOFF:ON"](#) on page 604
  - [":POWer:SIGNals:VSTeady:TRANsient"](#) on page 605
  - [":POWer:SIGNals:SOURce:VOLTage<i>"](#) on page 607

## :POWer:SIGNals:SOURce:VOLTage&lt;i&gt;

**N** (see [page 1172](#))

**Command Syntax** :POWer:SIGNals:SOURce:VOLTage<i> <source>

<i> ::= 1, 2 in NR1 format

<source> ::= CHANnel<n>

<n> ::= 1 to (# analog channels) in NR1 format

The :POWer:SIGNals:SOURce:VOLTage<i> command specifies the first, and perhaps second, voltage source channel to be used in the power analysis.

**Query Syntax** :POWer:SIGNals:SOURce:VOLTage<i>?

The :POWer:SIGNals:SOURce:VOLTage<i> query returns the voltage source channel setting.

**Return Format** <source><NL>

<source> ::= CHANnel<n>

<n> ::= 1 to (# analog channels) in NR1 format

- See Also**
- [":POWer:SIGNals:AUTOsetup"](#) on page 589
  - [":POWer:SIGNals:CYCLes:HARMonics"](#) on page 590
  - [":POWer:SIGNals:CYCLes:QUALity"](#) on page 591
  - [":POWer:SIGNals:DURation:EFFiciency"](#) on page 592
  - [":POWer:SIGNals:DURation:MODulation"](#) on page 593
  - [":POWer:SIGNals:DURation:ONOFF:OFF"](#) on page 594
  - [":POWer:SIGNals:DURation:ONOFF:ON"](#) on page 595
  - [":POWer:SIGNals:DURation:RIPple"](#) on page 596
  - [":POWer:SIGNals:DURation:TRANSient"](#) on page 597
  - [":POWer:SIGNals:IEXpected"](#) on page 598
  - [":POWer:SIGNals:OVERshoot"](#) on page 599
  - [":POWer:SIGNals:VMAXimum:INRush"](#) on page 600
  - [":POWer:SIGNals:VMAXimum:ONOFF:OFF"](#) on page 601
  - [":POWer:SIGNals:VMAXimum:ONOFF:ON"](#) on page 602
  - [":POWer:SIGNals:VSTeady:ONOFF:OFF"](#) on page 603
  - [":POWer:SIGNals:VSTeady:ONOFF:ON"](#) on page 604
  - [":POWer:SIGNals:VSTeady:TRANSient"](#) on page 605
  - [":POWer:SIGNals:SOURce:CURREnt<i>"](#) on page 606

## :POWer:SLEW:APPLY

**N** (see [page 1172](#))

**Command Syntax** :POWer:SLEW:APPLY

The :POWer:SLEW:APPLY command applies the slew rate analysis.

**See Also** · [":POWer:SLEW:SOURce"](#) on page 609



## :POWer:SLEW:SOURce

**N** (see [page 1172](#))

**Command Syntax** :POWer:SLEW:SOURce <source>

<source> ::= {V | I}

The :POWer:SLEW:SOURce command selects either the voltage source or the current source as the source for the slew rate analysis.

**Query Syntax** :POWer:SLEW:SOURce?

The :POWer:SLEW:SOURce query returns the selected source for the slew rate analysis.

**Return Format** <source><NL>

<source> ::= {V | I}

**See Also** • [":POWer:SLEW:APPLY"](#) on page 608

## :POWer:SWITCh:APPLy

**N** (see [page 1172](#))

**Command Syntax** :POWer:SWITCh:APPLy

The :POWer:SWITCh:APPLy command applies the switching loss analysis using the conduction calculation method, V reference, and I reference settings.

- See Also**
- [":POWer:SWITCh:CONDUction"](#) on page 611
  - [":POWer:SWITCh:IREFERENCE"](#) on page 612
  - [":POWer:SWITCh:RDS"](#) on page 613
  - [":POWer:SWITCh:VCE"](#) on page 614
  - [":POWer:SWITCh:VREFERENCE"](#) on page 615
  - [":MEASure:ELOSs"](#) on page 501
  - [":MEASure:PLOSs"](#) on page 508

## :POWer:SWITCh:CONDUction

**N** (see [page 1172](#))

**Command Syntax** :POWer:SWITCh:CONDUction <conduction>

<conduction> ::= {WAVeform | RDS | VCE}

The :POWer:SWITCh:CONDUction command specifies the conduction calculation method:

- WAVEform – The Power waveform uses the original voltage waveform data, and the calculation is:  $P = V \times I$
- RDS – Rds(on) – The Power waveform includes error correction:
  - In the On Zone (where the voltage level is below V Ref) – the Power calculation is:  $P = Id^2 \times Rds(on)$   
Specify Rds(on) using the :POWer:SWITCh:RDS command.
  - In the Off Zone (where the current level is below I Ref) – the Power calculation is:  $P = 0$  Watt.
- VCE – Vce(sat) – The Power waveform includes error correction:
  - In the On Zone (where the voltage level is below V Ref) – the Power calculation is:  $P = Vce(sat) \times Ic$   
Specify Vce(sat) using the :POWer:SWITCh:VCE command.
  - In the Off Zone (where the current level is below I Ref) – the Power calculation is:  $P = 0$  Watt.

**Query Syntax** :POWer:SWITCh:CONDUction?

The :POWer:SWITCh:CONDUction query returns the conduction calculation method.

**Return Format** <conduction><NL>

<conduction> ::= {WAV | RDS | VCE}

- See Also**
- [":POWer:SWITCh:APPLY"](#) on page 610
  - [":POWer:SWITCh:IREFERENCE"](#) on page 612
  - [":POWer:SWITCh:RDS"](#) on page 613
  - [":POWer:SWITCh:VCE"](#) on page 614
  - [":POWer:SWITCh:VREFERENCE"](#) on page 615

## :POWer:SWITCh:IREFERENCE

**N** (see [page 1172](#))

**Command Syntax** :POWer:SWITCh:IREFERENCE <percent>  
 <percent> ::= percent in NR1 format

The :POWer:SWITCh:IREFERENCE command to specify the current switching level for the start of switching edges. The value is in percentage of the maximum switch current.

You can adjust this value to ignore noise floors or null offset that is difficult to eliminate in current probes.

This value specifies the threshold that is used to determine the switching edges.

**Query Syntax** :POWer:SWITCh:IREFERENCE?

The :POWer:SWITCh:IREFERENCE query returns the current switching level percent value.

**Return Format** <percent><NL>  
 <percent> ::= percent in NR1 format

- See Also**
- [":POWer:SWITCh:APPLY"](#) on page 610
  - [":POWer:SWITCh:CONDUCTION"](#) on page 611
  - [":POWer:SWITCh:RDS"](#) on page 613
  - [":POWer:SWITCh:VCE"](#) on page 614
  - [":POWer:SWITCh:VREFERENCE"](#) on page 615

## :POWer:SWITCh:RDS

**N** (see [page 1172](#))

**Command Syntax** :POWer:SWITCh:RDS <value>[suffix]

<value> ::= Rds(on) value in NR3 format

[suffix] ::= {OHM | mOHM}

The :POWer:SWITCh:RDS command specifies the Rds(on) value when the RDS conduction calculation method is chosen (by :POWer:SWITCh:CONDUction).

**Query Syntax** :POWer:SWITCh:RDS?

The :POWer:SWITCh:RDS query returns the Rds(on) value.

**Return Format** <value><NL>

<value> ::= Rds(on) value in NR3 format

- See Also**
- [":POWer:SWITCh:APPLY"](#) on page 610
  - [":POWer:SWITCh:CONDUction"](#) on page 611
  - [":POWer:SWITCh:IREFERENCE"](#) on page 612
  - [":POWer:SWITCh:VCE"](#) on page 614
  - [":POWer:SWITCh:VREFERENCE"](#) on page 615

## :POWer:SWITCh:VCE

**N** (see [page 1172](#))

**Command Syntax** :POWer:SWITCh:VCE <value>[suffix]

<value> ::= Vce(sat) value in NR3 format

[suffix] ::= {V | mV}

The :POWer:SWITCh:VCE command specifies the Vce(sat) value when the VCE conduction calculation method is chosen (by :POWer:SWITCh:CONDUction).

**Query Syntax** :POWer:SWITCh:VCE?

The :POWer:SWITCh:VCE query returns the Vce(sat) value.

**Return Format** <value><NL>

<value> ::= Vce(sat) value in NR3 format

- See Also**
- [":POWer:SWITCh:APPLY"](#) on page 610
  - [":POWer:SWITCh:CONDUction"](#) on page 611
  - [":POWer:SWITCh:IREFERENCE"](#) on page 612
  - [":POWer:SWITCh:RDS"](#) on page 613
  - [":POWer:SWITCh:VREFERENCE"](#) on page 615

## :POWer:SWITCh:VREFeRence

**N** (see [page 1172](#))

**Command Syntax** :POWer:SWITCh:VREFeRence <percent>  
 <percent> ::= percent in NR1 format

The :POWer:SWITCh:VREFeRence command to specify the voltage switching level for the switching edges. The value is in percentage of the maximum switch voltage.

You can adjust this value to ignore noise floors.

This value specifies the threshold that is used to determine the switching edges.

**Query Syntax** :POWer:SWITCh:VREFeRence?

The :POWer:SWITCh:VREFeRence query returns the voltage switching level percent value.

**Return Format** <percent><NL>  
 <percent> ::= percent in NR1 format

- See Also**
- [":POWer:SWITCh:APPLY"](#) on page 610
  - [":POWer:SWITCh:CONDUction"](#) on page 611
  - [":POWer:SWITCh:IREFeRence"](#) on page 612
  - [":POWer:SWITCh:RDS"](#) on page 613
  - [":POWer:SWITCh:VCE"](#) on page 614

## :POWer:TRANsient:APPLy

**N** (see [page 1172](#))

**Command Syntax** :POWer:TRANsient:APPLy

The :POWer:TRANsient:APPLy command applies the transient analysis using the initial current and new current settings.

- See Also**
- [":POWer:TRANsient:EXIT"](#) on page 617
  - [":POWer:TRANsient:IInitial"](#) on page 618
  - [":POWer:TRANsient:INEW"](#) on page 619
  - [":POWer:TRANsient:NEXT"](#) on page 620
  - [":MEASure:TRESponse"](#) on page 512



## :POWer:TRANsient:EXIT

**N** (see [page 1172](#))

**Command Syntax** :POWer:TRANsient:EXIT

The :POWer:TRANsient:EXIT command exits (stops) the transient analysis.

This command is equivalent to pressing the **Exit** softkey on the oscilloscope front panel during the analysis.

- See Also**
- [":POWer:TRANsient:APPLY"](#) on page 616
  - [":POWer:TRANsient:INitial"](#) on page 618
  - [":POWer:TRANsient:INEW"](#) on page 619
  - [":POWer:TRANsient:NEXT"](#) on page 620

**:POWer:TRANsient:IINitial**

**N** (see [page 1172](#))

**Command Syntax** :POWer:TRANsient:IINitial <value>[suffix]

<value> ::= Initial current value in NR3 format

[suffix] ::= {A | mA}

The :POWer:TRANsient:IINitial command to specify the initial load current value. The initial load current will be used as a reference and to trigger the oscilloscope.

**Query Syntax** :POWer:TRANsient:IINitial?

The :POWer:TRANsient:IINitial query returns the initial load current value.

**Return Format** <value><NL>

<value> ::= Initial current value in NR3 format

- See Also**
- [":POWer:SIGNals:VSTeady:TRANsient"](#) on page 605
  - [":POWer:TRANsient:APPLy"](#) on page 616
  - [":POWer:TRANsient:EXIT"](#) on page 617
  - [":POWer:TRANsient:INEW"](#) on page 619
  - [":POWer:TRANsient:NEXT"](#) on page 620

## :POWer:TRANsient:INEW

**N** (see [page 1172](#))

**Command Syntax** :POWer:TRANsient:INEW <value>[suffix]

<value> ::= New current value in NR3 format

[suffix] ::= {A | mA}

The :POWer:TRANsient:INEW command to specify the new load current value. The new load current will be used as a reference and to trigger the oscilloscope.

**Query Syntax** :POWer:TRANsient:INEW?

The :POWer:TRANsient:INEW query returns the new load current value.

**Return Format** <value><NL>

<value> ::= New current value in NR3 format

- See Also**
- [":POWer:TRANsient:APPLy"](#) on page 616
  - [":POWer:TRANsient:EXIT"](#) on page 617
  - [":POWer:TRANsient:IInitial"](#) on page 618
  - [":POWer:TRANsient:NEXT"](#) on page 620

## :POWer:TRANsient:NEXT

**N** (see [page 1172](#))

**Command Syntax** :POWer:TRANsient:NEXT

The :POWer:TRANsient:NEXT command goes to the next step of the transient analysis.

This command is equivalent to pressing the **Next** softkey on the oscilloscope front panel when prompted during the analysis.

- See Also**
- [":POWer:TRANsient:APPLY"](#) on page 616
  - [":POWer:TRANsient:EXIT"](#) on page 617
  - [":POWer:TRANsient:IInitial"](#) on page 618
  - [":POWer:TRANsient:INEW"](#) on page 619

## 25 :RECall Commands

Recall previously saved oscilloscope setups, reference waveforms, and masks.

**Table 98** :RECall Commands Summary

Command	Query	Options and Query Returns
:RECall:ARBitrary:[ST ARt] [<file_spec>][, <column>] (see page 623)	n/a	<file_spec> ::= {<internal_loc>   <file_name>}  <column> ::= Column in CSV file to load. Column number starts from 1.  <internal_loc> ::= 0-3; an integer in NR1 format  <file_name> ::= quoted ASCII string
:RECall:FIleName <base_name> (see page 624)	:RECall:FIleName? (see page 624)	<base_name> ::= quoted ASCII string
:RECall:MASk[:START] [<file_spec>] (see page 625)	n/a	<file_spec> ::= {<internal_loc>   <file_name>}  <internal_loc> ::= 0-3; an integer in NR1 format  <file_name> ::= quoted ASCII string
:RECall:PWD <path_name> (see page 626)	:RECall:PWD? (see page 626)	<path_name> ::= quoted ASCII string

**Table 98** :RECall Commands Summary (continued)

Command	Query	Options and Query Returns
:RECall:SETup[:START] [<file_spec>] (see page 627)	n/a	<file_spec> ::= {<internal_loc>   <file_name>} <internal_loc> ::= 0-9; an integer in NR1 format <file_name> ::= quoted ASCII string
:RECall:WMEemory<r>[:START] [<file_name>] (see page 628)	n/a	<r> ::= 1-2 in NR1 format <file_name> ::= quoted ASCII string If extension included in file name, it must be ".h5".

**Introduction to :RECall Commands** The :RECall subsystem provides commands to recall previously saved oscilloscope setups, reference waveforms, and masks.

### Reporting the Setup

Use :RECall? to query setup information for the RECall subsystem.

### Return Format

The following is a sample response from the :RECall? query. In this case, the query was issued following the \*RST command.

```
:REC:FIL "scope_0"
```

### Recalling Files From a USB Storage Device

When :RECall commands have a "quoted ASCII string" <file\_name> parameter, you can recall files from a connected USB storage device. For example:

```
' To recall a setup file from a connected USB storage device:
myScope.WriteString ":RECall:SETup:START ""\usb\my_setup_file.scp""'
```

## :RECall:ARbitrary[:START]

**N** (see [page 1172](#))

**Command Syntax** :RECall:ARbitrary:[START] [<file\_spec>][, <column>]

<file\_spec> ::= {<internal\_loc> | <file\_name>}

<column> ::= Column in CSV file to load. Column number starts from 1.

<internal\_loc> ::= 0-3; an integer in NR1 format

<file\_name> ::= quoted ASCII string

The :RECall:ARbitrary:[START] command recalls an arbitrary waveform.

**NOTE**

If a file extension is provided as part of a specified <file\_name>, it must be ".csv".

For internal locations, the <column> parameter is ignored.

For external (USB storage device) files, the column parameter is optional. If no <column> parameter is entered, and it is a 2-column file, the 2nd column (assumed to be voltage) is automatically be selected. If the <column> parameter is entered, and that column does not exist in the file, the operation fails.

When recalling arbitrary waveforms (from an external USB storage device) that were not saved from the oscilloscope, be aware that the oscilloscope uses a maximum of 8192 points for an arbitrary waveform. For more efficient recalls, make sure your arbitrary waveforms are 8192 points or less.

- See Also**
- ["Introduction to :RECall Commands"](#) on page 622
  - [":RECall:FIName"](#) on page 624
  - [":SAVE:ARbitrary\[:START\]"](#) on page 632

## :RECall:FIlename

**N** (see [page 1172](#))

**Command Syntax** :RECall:FIlename <base\_name>

<base\_name> ::= quoted ASCII string

The :RECall:FIlename command specifies the source for any RECall operations.

### NOTE

This command specifies a file's base name only, without path information or an extension.

---

**Query Syntax** :RECall:FIlename?

The :RECall:FIlename? query returns the current RECall filename.

**Return Format** <base\_name><NL>

<base\_name> ::= quoted ASCII string

- See Also**
- ["Introduction to :RECall Commands"](#) on page 622
  - [":RECall:SETup\[:START\]"](#) on page 627
  - [":SAVE:FIlename"](#) on page 633



## :RECall:MASK[:START]

**N** (see [page 1172](#))

**Command Syntax** :RECall:MASK[:START] [<file\_spec>  
 <file\_spec> ::= {<internal\_loc> | <file\_name>}  
 <internal\_loc> ::= 0-3; an integer in NR1 format  
 <file\_name> ::= quoted ASCII string

The :RECall:MASK[:START] command recalls a mask.

**NOTE**

If a file extension is provided as part of a specified <file\_name>, it must be ".msk".

- 
- See Also**
- ["Introduction to :RECall Commands"](#) on page 622
  - [":RECall:FILENAME"](#) on page 624
  - [":SAVE:MASK\[:START\]"](#) on page 640
  - [":MTEST:DATA"](#) on page 528

## :RECall:PWD

**N** (see [page 1172](#))

**Command Syntax** :RECall:PWD <path\_name>  
 <path\_name> ::= quoted ASCII string

The :RECall:PWD command sets the present working directory for recall operations.

**Query Syntax** :RECall:PWD?

The :RECall:PWD? query returns the currently set working directory for recall operations.

**Return Format** <path\_name><NL>  
 <path\_name> ::= quoted ASCII string

- See Also**
- ["Introduction to :RECall Commands"](#) on page 622
  - [":SAVE:PWD"](#) on page 643

## :RECall:SETup[:START]

**N** (see [page 1172](#))

**Command Syntax** :RECall:SETup[:START] [<file\_spec>]  
 <file\_spec> ::= {<internal\_loc> | <file\_name>}  
 <internal\_loc> ::= 0-9; an integer in NR1 format  
 <file\_name> ::= quoted ASCII string

The :RECall:SETup[:START] command recalls an oscilloscope setup.

**NOTE**

If a file extension is provided as part of a specified <file\_name>, it must be ".scp".

- 
- See Also**
- ["Introduction to :RECall Commands"](#) on page 622
  - [":RECall:FILENAME"](#) on page 624
  - [":SAVE:SETup\[:START\]"](#) on page 644

:RECall:WMEemory<r>[:START]

**N** (see [page 1172](#))

**Command Syntax** :RECall:WMEemory<r>[:START] [<file\_name>]

<r> ::= 1-2 in NR1 format

<file\_name> ::= quoted ASCII string

The :RECall:WMEemory<r>[:START] command recalls a reference waveform.

**NOTE**

If a file extension is provided as part of a specified <file\_name>, it must be ".h5".

- See Also**
- ["Introduction to :RECall Commands"](#) on page 622
  - [":RECall:FILEname"](#) on page 624
  - [":SAVE:WMEemory\[:START\]"](#) on page 651

## 26 :SAVE Commands

Save oscilloscope setups, screen images, and data. See "[Introduction to :SAVE Commands](#)" on page 631.

**Table 99** :SAVE Commands Summary

Command	Query	Options and Query Returns
:SAVE:ARBitrary:[STARt] [<file_spec>] (see <a href="#">page 632</a> )	n/a	<file_spec> ::= {<internal_loc>   <file_name>}  <internal_loc> ::= 0-3; an integer in NR1 format  <file_name> ::= quoted ASCII string
:SAVE:FIleName <base_name> (see <a href="#">page 633</a> )	:SAVE:FIleName? (see <a href="#">page 633</a> )	<base_name> ::= quoted ASCII string
:SAVE:IMAGe[:STARt] [<file_name>] (see <a href="#">page 634</a> )	n/a	<file_name> ::= quoted ASCII string
:SAVE:IMAGe:FACTors {{0   OFF}   {1   ON}} (see <a href="#">page 635</a> )	:SAVE:IMAGe:FACTors? (see <a href="#">page 635</a> )	{0   1}
:SAVE:IMAGe:FORMat <format> (see <a href="#">page 636</a> )	:SAVE:IMAGe:FORMat? (see <a href="#">page 636</a> )	<format> ::= {{BMP   BMP24bit}   BMP8bit   PNG   NONE}
:SAVE:IMAGe:INKSaver {{0   OFF}   {1   ON}} (see <a href="#">page 637</a> )	:SAVE:IMAGe:INKSaver? (see <a href="#">page 637</a> )	{0   1}
:SAVE:IMAGe:PALette <palette> (see <a href="#">page 638</a> )	:SAVE:IMAGe:PALette? (see <a href="#">page 638</a> )	<palette> ::= {COLor   GRAYscale}
:SAVE:LISTer[:STARt] [<file_name>] (see <a href="#">page 639</a> )	n/a	<file_name> ::= quoted ASCII string

**Table 99** :SAVE Commands Summary (continued)

Command	Query	Options and Query Returns
:SAVE:MASK[:START] [<file_spec>] (see page 640)	n/a	<file_spec> ::= {<internal_loc>   <file_name>}  <internal_loc> ::= 0-3; an integer in NR1 format  <file_name> ::= quoted ASCII string
:SAVE:MULTi[:START] [<file_name>] (see page 641)	n/a	<file_name> ::= quoted ASCII string
:SAVE:POWer[:START] [<file_name>] (see page 642)	n/a	<file_name> ::= quoted ASCII string
:SAVE:PWD <path_name> (see page 643)	:SAVE:PWD? (see page 643)	<path_name> ::= quoted ASCII string
:SAVE:SETUp[:START] [<file_spec>] (see page 644)	n/a	<file_spec> ::= {<internal_loc>   <file_name>}  <internal_loc> ::= 0-9; an integer in NR1 format  <file_name> ::= quoted ASCII string
:SAVE:WAVeform[:START ] [<file_name>] (see page 645)	n/a	<file_name> ::= quoted ASCII string
:SAVE:WAVeform:FORMat <format> (see page 646)	:SAVE:WAVeform:FORMat ? (see page 646)	<format> ::= {ASCIixy   CSV   BINary   NONE}
:SAVE:WAVeform:LENGth <length> (see page 647)	:SAVE:WAVeform:LENGth ? (see page 647)	<length> ::= 100 to max. length; an integer in NR1 format
:SAVE:WAVeform:LENGth :MAX {{0   OFF}   {1   ON}} (see page 648)	:SAVE:WAVeform:LENGth :MAX? (see page 648)	{0   1}
:SAVE:WAVeform:SEGMen ted <option> (see page 649)	:SAVE:WAVeform:SEGMen ted? (see page 649)	<option> ::= {ALL   CURRent}

**Table 99** :SAVE Commands Summary (continued)

Command	Query	Options and Query Returns
:SAVE:WMEMemory:SOURce <source> (see page 650)	:SAVE:WMEMemory:SOURce? (see page 650)	<source> ::= {CHANnel<n>   FUNction   MATH   WMEMemory<r>} <n> ::= 1 to (# analog channels) in NR1 format <r> ::= 1-2 in NR1 format NOTE: Only ADD or SUBtract math operations can be saved as reference waveforms. <return_value> ::= <source>
:SAVE:WMEMemory[:START] [<file_name>] (see page 651)	n/a	<file_name> ::= quoted ASCII string If extension included in file name, it must be ".h5".

#### Introduction to :SAVE Commands

The :SAVE subsystem provides commands to save oscilloscope setups, screen images, and data.

:SAV is an acceptable short form for :SAVE.

#### Reporting the Setup

Use :SAVE? to query setup information for the SAVE subsystem.

#### Return Format

The following is a sample response from the :SAVE? query. In this case, the query was issued following the \*RST command.

```
:SAVE:FIL " ";:SAVE:IMAG:AREA GRAT;FACT 0;FORM TIFF;INKS 0;PAL  
MON;:SAVE:PWD "C:/setups/";:SAVE:WAV:FORM NONE;LENG 1000;SEGM CURR
```

#### Saving Files to a USB Storage Device

When :SAVE commands have a "quoted ASCII string" <file\_name> parameter, you can save files to a connected USB storage device. For example:

```
' To save a setup file to a connected USB storage device:  
myScope.WriteString ":SAVE:SETup:START ""\usb\my_setup_file.scp""
```

## :SAVE:ARbitrary[:START]

**N** (see [page 1172](#))

**Command Syntax** :SAVE:ARbitrary:[START] [<file\_spec>  
 <file\_spec> ::= {<internal\_loc> | <file\_name>}  
 <internal\_loc> ::= 0-3; an integer in NR1 format  
 <file\_name> ::= quoted ASCII string

The :SAVE:ARbitrary:[START] command saves the current arbitrary waveform to an internal location or a file on a USB storage device.

**NOTE**

If a file extension is provided as part of a specified <file\_name>, it must be ".csv".

- See Also**
- ["Introduction to :SAVE Commands"](#) on page 631
  - [":SAVE:FILENAME"](#) on page 633
  - [":RECALL:ARbitrary\[:START\]"](#) on page 623



## :SAVE:FILEname

**N** (see [page 1172](#))

**Command Syntax** :SAVE:FILEname <base\_name>  
 <base\_name> ::= quoted ASCII string

The :SAVE:FILEname command specifies the source for any SAVE operations.

**NOTE**

This command specifies a file's base name only, without path information or an extension.

**Query Syntax** :SAVE:FILEname?

The :SAVE:FILEname? query returns the current SAVE filename.

**Return Format** <base\_name><NL>  
 <base\_name> ::= quoted ASCII string

- See Also**
- ["Introduction to :SAVE Commands"](#) on page 631
  - [":SAVE:IMAGe\[:START\]"](#) on page 634
  - [":SAVE:SETup\[:START\]"](#) on page 644
  - [":SAVE:WAVEform\[:START\]"](#) on page 645
  - [":SAVE:PWD"](#) on page 643
  - [":RECall:FILEname"](#) on page 624

**:SAVE:IMAGe[:START]**

**N** (see [page 1172](#))

**Command Syntax** :SAVE:IMAGe[:START] [<file\_name>]

<file\_name> ::= quoted ASCII string

The :SAVE:IMAGe[:START] command saves an image.

**NOTE**

Be sure to set the :SAVE:IMAGe:FORMat before saving an image. If the format is NONE, the save image command will not succeed.

**NOTE**

If a file extension is provided as part of a specified <file\_name>, and it does not match the extension expected by the format specified in :SAVE:IMAGe:FORMat, the format will be changed if the extension is a valid image file extension.

**NOTE**

If the extension ".bmp" is used and the current :SAVE:IMAGe:FORMat is not BMP or BMP8, the format will be changed to BMP.

- See Also**
- ["Introduction to :SAVE Commands"](#) on page 631
  - [":SAVE:IMAGe:FACTors"](#) on page 635
  - [":SAVE:IMAGe:FORMat"](#) on page 636
  - [":SAVE:IMAGe:INKSaver"](#) on page 637
  - [":SAVE:IMAGe:PALette"](#) on page 638
  - [":SAVE:FILename"](#) on page 633

## :SAVE:IMAGe:FACTors

**N** (see [page 1172](#))

**Command Syntax** :SAVE:IMAGe:FACTors <factors>  
 <factors> ::= {{OFF | 0} | {ON | 1}}

The :SAVE:IMAGe:FACTors command controls whether the oscilloscope factors are output along with the image.

**NOTE**

Factors are written to a separate file with the same path and base name but with the ".txt" extension.

**Query Syntax** :SAVE:IMAGe:FACTors?

The :SAVE:IMAGe:FACTors? query returns a flag indicating whether oscilloscope factors are output along with the image.

**Return Format** <factors><NL>  
 <factors> ::= {0 | 1}

- See Also**
- ["Introduction to :SAVE Commands"](#) on page 631
  - [":SAVE:IMAGe\[:START\]"](#) on page 634
  - [":SAVE:IMAGe:FORMat"](#) on page 636
  - [":SAVE:IMAGe:INKSaver"](#) on page 637
  - [":SAVE:IMAGe:PALette"](#) on page 638

## :SAVE:IMAGe:FORMat

**N** (see [page 1172](#))

**Command Syntax** :SAVE:IMAGe:FORMat <format>

<format> ::= {{BMP | BMP24bit} | BMP8bit | PNG}

The :SAVE:IMAGe:FORMat command sets the image format type.

**Query Syntax** :SAVE:IMAGe:FORMat?

The :SAVE:IMAGe:FORMat? query returns the selected image format type.

**Return Format** <format><NL>

<format> ::= {BMP | BMP8 | PNG | NONE}

When NONE is returned, it indicates that a waveform data file format is currently selected.

- See Also**
- ["Introduction to :SAVE Commands"](#) on page 631
  - [":SAVE:IMAGe\[:START\]"](#) on page 634
  - [":SAVE:IMAGe:FACTors"](#) on page 635
  - [":SAVE:IMAGe:INKSaver"](#) on page 637
  - [":SAVE:IMAGe:PALette"](#) on page 638
  - [":SAVE:WAVEform:FORMat"](#) on page 646

## :SAVE:IMAGe:INKSaver

**N** (see [page 1172](#))

**Command Syntax** :SAVE:IMAGe:INKSaver <value>

<value> ::= {{OFF | 0} | {ON | 1}}

The :SAVE:IMAGe:INKSaver command controls whether the graticule colors are inverted or not.

**Query Syntax** :SAVE:IMAGe:INKSaver?

The :SAVE:IMAGe:INKSaver? query returns a flag indicating whether graticule colors are inverted or not.

**Return Format** <value><NL>

<value> ::= {0 | 1}

- See Also**
- ["Introduction to :SAVE Commands"](#) on page 631
  - [":SAVE:IMAGe\[:START\]"](#) on page 634
  - [":SAVE:IMAGe:FACTors"](#) on page 635
  - [":SAVE:IMAGe:FORMat"](#) on page 636
  - [":SAVE:IMAGe:PALette"](#) on page 638

**:SAVE:IMAGe:PALette**

**N** (see [page 1172](#))

**Command Syntax** :SAVE:IMAGe:PALette <palette>

<palette> ::= {COLor | GRAYscale}

The :SAVE:IMAGe:PALette command sets the image palette color.

**Query Syntax** :SAVE:IMAGe:PALette?

The :SAVE:IMAGe:PALette? query returns the selected image palette color.

**Return Format** <palette><NL>

<palette> ::= {COL | GRAY}

- See Also**
- ["Introduction to :SAVE Commands"](#) on page 631
  - [":SAVE:IMAGe\[:START\]"](#) on page 634
  - [":SAVE:IMAGe:FACTors"](#) on page 635
  - [":SAVE:IMAGe:FORMat"](#) on page 636
  - [":SAVE:IMAGe:INKSaver"](#) on page 637

## :SAVE:LISTer[:START]

**N** (see [page 1172](#))

**Command Syntax** :SAVE:LISTer[:START] [<file\_name>]

<file\_name> ::= quoted ASCII string

The :SAVE:LISTer[:START] command saves the Lister display data to a file.

### NOTE

If a file extension is provided as part of a specified <file\_name>, it must be ".csv".

- 
- See Also**
- ["Introduction to :SAVE Commands"](#) on page 631
  - [":SAVE:FILENAME"](#) on page 633
  - [Chapter 18](#), "LISTer Commands," starting on page 393

**:SAVE:MASK[:START]**

**N** (see [page 1172](#))

**Command Syntax** :SAVE:MASK[:START] [<file\_spec>]  
 <file\_spec> ::= {<internal\_loc> | <file\_name>}  
 <internal\_loc> ::= 0-3; an integer in NR1 format  
 <file\_name> ::= quoted ASCII string

The :SAVE:MASK[:START] command saves a mask.

**NOTE**

If a file extension is provided as part of a specified <file\_name>, it must be ".msk".

- See Also**
- ["Introduction to :SAVE Commands"](#) on page 631
  - [":SAVE:FILENAME"](#) on page 633
  - [":RECALL:MASK\[:START\]"](#) on page 625
  - [":MTEST:DATA"](#) on page 528



## :SAVE:MULTi[:START]

**N** (see [page 1172](#))

**Command Syntax** :SAVE:MULTi[:START] [<file\_name>]

<file\_name> ::= quoted ASCII string

The :SAVE:MULTi[:START] command saves multi-channel waveform data to a file. This file can be opened by the D9010BSEO Infiniium Offline oscilloscope analysis software.

### NOTE

If a file extension is provided as part of a specified <file\_name>, it must be ".h5".

- 
- See Also**
- ["Introduction to :SAVE Commands"](#) on page 631
  - [":SAVE:FILENAME"](#) on page 633
  - [":SAVE:PWD"](#) on page 643

:SAVE:POWer[:START]

**N** (see [page 1172](#))

**Command Syntax** :SAVE:POWer[:START] [<file\_name>]

<file\_name> ::= quoted ASCII string

The :SAVE:POWer[:START] command saves the power measurement application's current harmonics analysis results to a file.

**NOTE**

If a file extension is provided as part of a specified <file\_name>, it must be ".csv".

- 
- See Also**
- ["Introduction to :SAVE Commands"](#) on page 631
  - [":SAVE:FILENAME"](#) on page 633
  - [Chapter 24](#), ":POWer Commands," starting on page 553

## :SAVE:PWD

**N** (see [page 1172](#))

**Command Syntax** :SAVE:PWD <path\_name>

<path\_name> ::= quoted ASCII string

The :SAVE:PWD command sets the present working directory for save operations.

**Query Syntax** :SAVE:PWD?

The :SAVE:PWD? query returns the currently set working directory for save operations.

**Return Format** <path\_name><NL>

<path\_name> ::= quoted ASCII string

- See Also**
- ["Introduction to :SAVE Commands"](#) on page 631
  - [":SAVE:FILENAME"](#) on page 633
  - [":RECALL:PWD"](#) on page 626

## :SAVE:SETup[:START]

**N** (see [page 1172](#))

**Command Syntax** :SAVE:SETup[:START] [<file\_spec>]  
 <file\_spec> ::= {<internal\_loc> | <file\_name>}  
 <internal\_loc> ::= 0-9; an integer in NR1 format  
 <file\_name> ::= quoted ASCII string

The :SAVE:SETup[:START] command saves an oscilloscope setup.

**NOTE**

If a file extension is provided as part of a specified <file\_name>, it must be ".scp".

- See Also**
- ["Introduction to :SAVE Commands"](#) on page 631
  - [":SAVE:FILEname"](#) on page 633
  - [":RECall:SETup\[:START\]"](#) on page 627

## :SAVE:WAVEform[:START]

**N** (see [page 1172](#))

**Command Syntax** :SAVE:WAVEform[:START] [<file\_name>]

<file\_name> ::= quoted ASCII string

The :SAVE:WAVEform[:START] command saves oscilloscope waveform data to a file.

**NOTE**

Be sure to set the :SAVE:WAVEform:FORMat before saving waveform data. If the format is NONE, the save waveform command will not succeed.

**NOTE**

If a file extension is provided as part of a specified <file\_name>, and it does not match the extension expected by the format specified in :SAVE:WAVEform:FORMat, the format will be changed if the extension is a valid waveform file extension.

- See Also**
- ["Introduction to :SAVE Commands"](#) on page 631
  - [":SAVE:WAVEform:FORMat"](#) on page 646
  - [":SAVE:WAVEform:LENGth"](#) on page 647
  - [":SAVE:FILEname"](#) on page 633
  - [":RECall:SETup\[:START\]"](#) on page 627

## :SAVE:WAVEform:FORMat

**N** (see [page 1172](#))

**Command Syntax** :SAVE:WAVEform:FORMat <format>

<format> ::= {ASCIixy | CSV | BINary}

The :SAVE:WAVEform:FORMat command sets the waveform data format type:

- ASCIixy – creates comma-separated value files for each analog channel that is displayed (turned on). The proper file extension for this format is ".csv".
- CSV – creates one comma-separated value file that contains information for all analog channels that are displayed (turned on). The proper file extension for this format is ".csv".
- BINary – creates an oscilloscope binary data format file. See the *User's Guide* for a description of this format. The proper file extension for this format is ".bin".

**Query Syntax** :SAVE:WAVEform:FORMat?

The :SAVE:WAVEform:FORMat? query returns the selected waveform data format type.

**Return Format** <format><NL>

<format> ::= {ASC | CSV | BIN | NONE}

When NONE is returned, it indicates that an image file format is currently selected.

- See Also**
- "[Introduction to :SAVE Commands](#)" on page 631
  - "[:SAVE:WAVEform\[:START\]](#)" on page 645
  - "[:SAVE:WAVEform:LENGth](#)" on page 647
  - "[:SAVE:IMAGe:FORMat](#)" on page 636

## :SAVE:WAVEform:LENGth

**N** (see [page 1172](#))

**Command Syntax** :SAVE:WAVEform:LENGth <length>

<length> ::= 100 to max. length; an integer in NR1 format

When the :SAVE:WAVEform:LENGth:MAX setting is OFF, the :SAVE:WAVEform:LENGth command sets the waveform data length (that is, the number of points saved).

When the :SAVE:WAVEform:LENGth:MAX setting is ON, the :SAVE:WAVEform:LENGth setting has no effect.

**Query Syntax** :SAVE:WAVEform:LENGth?

The :SAVE:WAVEform:LENGth? query returns the current waveform data length setting.

**Return Format** <length><NL>

<length> ::= 100 to max. length; an integer in NR1 format

- See Also**
- ["Introduction to :SAVE Commands"](#) on page 631
  - [":SAVE:WAVEform:LENGth:MAX"](#) on page 648
  - [":SAVE:WAVEform\[:START\]"](#) on page 645
  - [":WAVEform:POINts"](#) on page 1004
  - [":SAVE:WAVEform:FORMat"](#) on page 646

## :SAVE:WAVEform:LENGth:MAX

**N** (see [page 1172](#))

**Command Syntax** :SAVE:WAVEform:LENGth:MAX <setting>

<setting> ::= {{OFF | 0} | {ON | 1}}

The :SAVE:WAVEform:LENGth:MAX command specifies whether maximum number of waveform data points is saved.

When OFF, the :SAVE:WAVEform:LENGth command specifies the number of waveform data points saved.

**Query Syntax** :SAVE:WAVEform:LENGth:MAX?

The :SAVE:WAVEform:LENGth:MAX? query returns the current setting.

**Return Format** <setting><NL>

<setting> ::= {0 | 1}

- See Also**
- ["Introduction to :SAVE Commands"](#) on page 631
  - [":SAVE:WAVEform\[:START\]"](#) on page 645
  - [":SAVE:WAVEform:LENGth"](#) on page 647



## :SAVE:WAVEform:SEGmented

**N** (see [page 1172](#))

**Command Syntax** :SAVE:WAVEform:SEGmented <option>

<option> ::= {ALL | CURRent}

When segmented memory is used for acquisitions, the :SAVE:WAVEform:SEGmented command specifies which segments are included when the waveform is saved:

- ALL – all acquired segments are saved.
- CURRent – only the currently selected segment is saved.

**Query Syntax** :SAVE:WAVEform:SEGmented?

The :SAVE:WAVEform:SEGmented? query returns the current segmented waveform save option setting.

**Return Format** <option><NL>

<option> ::= {ALL | CURR}

- See Also**
- ["Introduction to :SAVE Commands"](#) on page 631
  - [":SAVE:WAVEform\[:START\]"](#) on page 645
  - [":SAVE:WAVEform:FORMat"](#) on page 646
  - [":SAVE:WAVEform:LENGth"](#) on page 647

## :SAVE:WMEMory:SOURce

**N** (see [page 1172](#))

**Command Syntax** :SAVE:WMEMory:SOURce <source>  
 <source> ::= {CHANnel<n> | FUNction | MATH | WMEMory<r>}  
 <n> ::= 1 to (# analog channels) in NR1 format  
 <r> ::= {1 | 2}

The :SAVE:WMEMory:SOURce command selects the source to be saved as a reference waveform file.

**NOTE**

Only ADD or SUBtract math operations can be saved as reference waveforms.

**NOTE**

MATH is an alias for FUNction. The query will return FUNC if the source is FUNction or MATH.

**Query Syntax** :SAVE:WMEMory:SOURce?

The :SAVE:WMEMory:SOURce? query returns the source to be saved as a reference waveform file.

**Return Format** <source><NL>  
 <source> ::= {CHAN<n> | FUNC | WMEM<r> | NONE}

- See Also**
- ["Introduction to :SAVE Commands"](#) on page 631
  - [":SAVE:WMEMory\[:START\]"](#) on page 651
  - [":RECall:WMEMory<r>\[:START\]"](#) on page 628

## :SAVE:WMEMory[:START]

**N** (see [page 1172](#))

**Command Syntax** :SAVE:WMEMory[:START] [<file\_name>]

<file\_name> ::= quoted ASCII string

The :SAVE:WMEMory[:START] command saves oscilloscope waveform data to a reference waveform file.

### NOTE

If a file extension is provided as part of a specified <file\_name>, it must be ".h5".

- 
- See Also**
- ["Introduction to :SAVE Commands"](#) on page 631
  - [":SAVE:WMEMory:SOURce"](#) on page 650
  - [":RECall:WMEMory<r>\[:START\]"](#) on page 628



## 27 :SBUS<n> Commands

Control the modes and parameters for each serial bus decode/trigger type. See:

- "[Introduction to :SBUS<n> Commands](#)" on page 653
- "[General :SBUS<n> Commands](#)" on page 655
- "[:SBUS<n>:A429 Commands](#)" on page 658
- "[:SBUS<n>:CAN Commands](#)" on page 676
- "[:SBUS<n>:FLEXray Commands](#)" on page 693
- "[:SBUS<n>:I2S Commands](#)" on page 712
- "[:SBUS<n>:IIC Commands](#)" on page 732
- "[:SBUS<n>:LIN Commands](#)" on page 743
- "[:SBUS<n>:M1553 Commands](#)" on page 757
- "[:SBUS<n>:SPI Commands](#)" on page 764
- "[:SBUS<n>:UART Commands](#)" on page 780

### Introduction to :SBUS<n> Commands

The :SBUS subsystem commands control the serial decode bus viewing, mode, and other options.

#### NOTE

These commands are only valid on oscilloscope models when a serial decode option has been licensed.

The following serial bus decode/trigger types are available (see "[:TRIGger:MODE](#)" on page 920).

- **CAN (Controller Area Network) triggering**— will trigger on CAN version 2.0A and 2.0B signals. Setup consists of connecting the oscilloscope to a CAN signal. Baud rate, signal source, and signal polarity, and type of data to trigger on can be specified. You can trigger on CAN data and identifier patterns and you can set the bit sample point.
- **I2S (Inter-IC Sound or Integrated Interchip Sound bus) triggering**— consists of connecting the oscilloscope to the serial clock, word select, and serial data lines, then triggering on a data value.

- **IIC (Inter-IC bus) triggering**— consists of connecting the oscilloscope to the serial data (SDA) line and the serial clock (SCL) line, then triggering on a stop/start condition, a restart, a missing acknowledge, or on a read/write frame with a specific device address and data value.
- **LIN (Local Interconnect Network) triggering**— will trigger on LIN sync break at the beginning of a message frame. You can trigger on Sync Break, Frame IDs, or Frame IDs and Data.
- **SPI (Serial Peripheral Interface) triggering**— consists of connecting the oscilloscope to a clock, data (MOSI or MISO), and framing signal. You can then trigger on a data pattern during a specific framing period. The serial data string can be specified to be from 4 to 64 bits long.
- **UART/RS-232 triggering** (with Option 232) — lets you trigger on RS-232 serial data.

**NOTE**

Two I2S buses or two SPI buses cannot be decoded on both SBUS1 and SBUS2 at the same time.

### Reporting the Setup

Use :SBUS<n>? to query setup information for the :SBUS<n> subsystem.

### Return Format

The following is a sample response from the :SBUS1? query. In this case, the query was issued following a \*RST command.

```
:SBUS1:DISP 0;MODE IIC;:SBUS1:IIC:ASIZ BIT7;:SBUS1:IIC:TRIG:TYPE
STAR;QUAL EQU;:SBUS1:IIC:SOUR:CLOC CHAN1;DATA
CHAN2;:SBUS1:IIC:TRIG:PATT:ADDR -1;DATA -1;DATA2 -1
```

## General :SBUS<n> Commands

**Table 100** General :SBUS<n> Commands Summary

Command	Query	Options and Query Returns
:SBUS<n>:DISPlay {{0   OFF}   {1   ON}} (see <a href="#">page 656</a> )	:SBUS<n>:DISPlay? (see <a href="#">page 656</a> )	{0   1}
:SBUS<n>:MODE <mode> (see <a href="#">page 657</a> )	:SBUS<n>:MODE? (see <a href="#">page 657</a> )	<mode> ::= {A429   CAN   FLEXray   I2S   IIC   LIN   M1553   SPI   UART}

## :SBUS<n>:DISPlay

**N** (see [page 1172](#))

**Command Syntax** :SBUS<n>:DISPlay <display>  
<display> ::= {{1 | ON} | {0 | OFF}}

The :SBUS<n>:DISPlay command turns displaying of the serial decode bus on or off.

**NOTE**

This command is only valid when a serial decode option has been licensed.

**NOTE**

Two I2S buses or two SPI buses cannot be decoded on both SBUS1 and SBUS2 at the same time.

**Query Syntax** :SBUS<n>:DISPlay?

The :SBUS<n>:DISPlay? query returns the current display setting of the serial decode bus.

**Return Format** <display><NL>  
<display> ::= {0 | 1}

**Errors** • ["-241, Hardware missing"](#) on page 1133

- See Also**
- ["Introduction to :SBUS<n> Commands"](#) on page 653
  - [":CHANnel<n>:DISPlay"](#) on page 279
  - [":DIGital<d>:DISPlay"](#) on page 305
  - [":POD<n>:DISPlay"](#) on page 549
  - [":VIEW"](#) on page 238
  - [":BLANK"](#) on page 210
  - [":STATus"](#) on page 235



## :SBUS&lt;n&gt;:MODE

**N** (see [page 1172](#))

**Command Syntax** :SBUS<n>:MODE <mode>

<mode> ::= {A429 | FLEXray | CAN | I2S | IIC | LIN | M1553 | SPI | UART}

The :SBUS<n>:MODE command determines the decode mode for the serial bus.

**NOTE**

This command is only valid when a serial decode option has been licensed.

**Query Syntax** :SBUS<n>:MODE?

The :SBUS<n>:MODE? query returns the current serial bus decode mode setting.

**Return Format** <mode><NL>

<mode> ::= {A429 | FLEX | CAN | I2S | IIC | LIN | M1553 | SPI | UART  
| NONE}

**Errors** • ["-241, Hardware missing"](#) on page 1133

**See Also** • ["Introduction to :SBUS<n> Commands"](#) on page 653

• [":SBUS<n>:A429 Commands"](#) on page 658

• [":SBUS<n>:CAN Commands"](#) on page 676

• [":SBUS<n>:FLEXray Commands"](#) on page 693

• [":SBUS<n>:I2S Commands"](#) on page 712

• [":SBUS<n>:IIC Commands"](#) on page 732

• [":SBUS<n>:LIN Commands"](#) on page 743

• [":SBUS<n>:M1553 Commands"](#) on page 757

• [":SBUS<n>:SPI Commands"](#) on page 764

• [":SBUS<n>:UART Commands"](#) on page 780

## :SBUS&lt;n&gt;:A429 Commands

**NOTE**

These commands are valid when the DSOX3AERO MIL-STD-1553 and ARINC 429 triggering and serial decode option (Option AERO) has been licensed.

**Table 101** :SBUS<n>:A429 Commands Summary

Command	Query	Options and Query Returns
:SBUS<n>:A429:AUToset up (see <a href="#">page 660</a> )	n/a	n/a
:SBUS<n>:A429:BASE <base> (see <a href="#">page 661</a> )	:SBUS<n>:A429:BASE? (see <a href="#">page 661</a> )	<base> ::= {BINary   HEX}
n/a	:SBUS<n>:A429:COUNT:ERRor? (see <a href="#">page 662</a> )	<error_count> ::= integer in NR1 format
:SBUS<n>:A429:COUNT:RESet (see <a href="#">page 663</a> )	n/a	n/a
n/a	:SBUS<n>:A429:COUNT:WORD? (see <a href="#">page 664</a> )	<word_count> ::= integer in NR1 format
:SBUS<n>:A429:FORMat <format> (see <a href="#">page 665</a> )	:SBUS<n>:A429:FORMat? (see <a href="#">page 665</a> )	<format> ::= {LDSDi   LDSSm   LDATa}
:SBUS<n>:A429:SIGNal <signal> (see <a href="#">page 666</a> )	:SBUS<n>:A429:SIGNal? (see <a href="#">page 666</a> )	<signal> ::= {A   B   DIFFerential}
:SBUS<n>:A429:SOURce <source> (see <a href="#">page 667</a> )	:SBUS<n>:A429:SOURce? (see <a href="#">page 667</a> )	<source> ::= {CHANnel<n>} <n> ::= 1 to (# analog channels) in NR1 format
:SBUS<n>:A429:SPEEd <speed> (see <a href="#">page 668</a> )	:SBUS<n>:A429:SPEEd? (see <a href="#">page 668</a> )	<speed> ::= {LOW   HIGH}
:SBUS<n>:A429:TRIGger :LABel <value> (see <a href="#">page 669</a> )	:SBUS<n>:A429:TRIGger :LABel? (see <a href="#">page 669</a> )	<value> ::= 8-bit integer in decimal, <hex>, <octal>, or <string> from 0-255 or "0xXX" (don't care)  <hex> ::= #Hnn where n ::= {0,...,9   A,...,F}  <octal> ::= #Qnnn where n ::= {0,...,7}  <string> ::= "0xnn" where n ::= {0,...,9   A,...,F}

**Table 101** :SBUS<n>:A429 Commands Summary (continued)

Command	Query	Options and Query Returns
:SBUS<n>:A429:TRIGger :PATtern:DATA <string> (see page 670)	:SBUS<n>:A429:TRIGger :PATtern:DATA? (see page 670)	<string> ::= "nn...n" where n ::= {0   1   X}, length depends on FORMat
:SBUS<n>:A429:TRIGger :PATtern:SDI <string> (see page 671)	:SBUS<n>:A429:TRIGger :PATtern:SDI? (see page 671)	<string> ::= "nn" where n ::= {0   1   X}, length always 2 bits
:SBUS<n>:A429:TRIGger :PATtern:SSM <string> (see page 672)	:SBUS<n>:A429:TRIGger :PATtern:SSM? (see page 672)	<string> ::= "nn" where n ::= {0   1   X}, length always 2 bits
:SBUS<n>:A429:TRIGger :RANge <min>, <max> (see page 673)	:SBUS<n>:A429:TRIGger :RANge? (see page 673)	<min> ::= 8-bit integer in decimal, <hex>, <octal>, or <string> from 0-255  <max> ::= 8-bit integer in decimal, <hex>, <octal>, or <string> from 0-255  <hex> ::= #Hnn where n ::= {0,...,9   A,...,F}  <octal> ::= #Qnnn where n ::= {0,...,7}  <string> ::= "0xnn" where n ::= {0,...,9   A,...,F}
:SBUS<n>:A429:TRIGger :TYPE <condition> (see page 674)	:SBUS<n>:A429:TRIGger :TYPE? (see page 674)	<condition> ::= {WStArt   WStOp   LABel   LBITs   PERRor   WERRor   GERRor   WGERrors   ALLerrors   LRANge   ABITs   AOBits   AZBits}

## :SBUS&lt;n&gt;:A429:AUTosetup

**N** (see [page 1172](#))

**Command Syntax** :SBUS<n>:A429:AUTosetup

The :SBUS<n>:A429:AUTosetup command automatically sets these options for decoding and triggering on ARINC 429 signals:

- High Trigger Threshold: 3.0 V.
- Low Trigger Threshold: -3.0 V.
- Noise Reject: Off.
- Probe Attenuation: 10.0.
- Vertical Scale: 4 V/div.
- Serial Decode: On.
- Base (:SBUS<n>:A429:BASE): HEX.
- Word Format (:SBUS<n>:A429:FORMat): LDSDi (Label/SDI/Data/SSM).
- Trigger: the specified serial bus (n of SBUS<n>).
- Trigger Mode (:SBUS<n>:A429:TRIGger:TYPE): WStArt.

**Errors** • ["-241, Hardware missing"](#) on page 1133

- See Also**
- [":SBUS<n>:A429:BASE"](#) on page 661
  - [":SBUS<n>:A429:FORMat"](#) on page 665
  - [":SBUS<n>:A429:TRIGger:TYPE"](#) on page 674
  - ["Introduction to :SBUS<n> Commands"](#) on page 653
  - [":SBUS<n>:MODE"](#) on page 657
  - [":SBUS<n>:A429 Commands"](#) on page 658

## :SBUS&lt;n&gt;:A429:BASE

**N** (see [page 1172](#))

**Command Syntax** :SBUS<n>:A429:BASE <base>

<base> ::= {BINary | HEX}

The :SBUS<n>:A429:BASE command selects between hexadecimal and binary display of the decoded data.

The BASE command has no effect on the SDI and SSM fields, which are always displayed in binary, nor the Label field, which is always displayed in octal.

**Query Syntax** :SBUS<n>:A429:BASE?

The :SBUS<n>:A429:BASE? query returns the current ARINC 429 base setting.

**Return Format** <base><NL>

<base> ::= {BIN | HEX}

**Errors** • ["-241, Hardware missing"](#) on page 1133

**See Also** • ["Introduction to :SBUS<n> Commands"](#) on page 653

• [":SBUS<n>:MODE"](#) on page 657

• [":SBUS<n>:A429:FORMat"](#) on page 665

## :SBUS<n>:A429:COUNT:ERRor

**N** (see [page 1172](#))

**Query Syntax** :SBUS<n>:A429:COUNT:ERRor?

Returns the error count.

**Return Format** <error\_count><NL>

<error\_count> ::= integer in NR1 format

**Errors** · ["-241, Hardware missing"](#) on page 1133

- See Also** · [":SBUS<n>:A429:COUNT:RESet"](#) on page 663
- [":SBUS<n>:A429:COUNT:WORD"](#) on page 664
  - ["Introduction to :SBUS<n> Commands"](#) on page 653
  - [":SBUS<n>:MODE"](#) on page 657
  - [":SBUS<n>:A429 Commands"](#) on page 658

:SBUS<n>:A429:COUNT:RESet

**N** (see [page 1172](#))

**Command Syntax** :SBUS<n>:A429:COUNT:RESet

Resets the word and error counters.

**Errors** · ["-241, Hardware missing"](#) on page 1133

- See Also** · [":SBUS<n>:A429:COUNT:WORD"](#) on page 664
- [":SBUS<n>:A429:COUNT:ERRor"](#) on page 662
  - ["Introduction to :SBUS<n> Commands"](#) on page 653
  - [":SBUS<n>:MODE"](#) on page 657
  - [":SBUS<n>:A429 Commands"](#) on page 658

## :SBUS<n>:A429:COUNT:WORD

**N** (see [page 1172](#))

**Query Syntax** :SBUS<n>:A429:COUNT:WORD?

Returns the word count.

**Return Format** <word\_count><NL>

<word\_count> ::= integer in NR1 format

**Errors** • ["-241, Hardware missing"](#) on page 1133

- See Also**
- [":SBUS<n>:A429:COUNT:RESet"](#) on page 663
  - [":SBUS<n>:A429:COUNT:ERRor"](#) on page 662
  - ["Introduction to :SBUS<n> Commands"](#) on page 653
  - [":SBUS<n>:MODE"](#) on page 657
  - [":SBUS<n>:A429 Commands"](#) on page 658



## :SBUS&lt;n&gt;:A429:FORMat

**N** (see [page 1172](#))

**Command Syntax** :SBUS<n>:A429:FORMat <format>

<format> ::= {LDSDi | LDSSm | LDATa}

The :SBUS<n>:A429:FORMat command specifies the word decode format:

- LDSDi:
  - Label - 8 bits.
  - SDI - 2 bits.
  - Data - 19 bits.
  - SSM - 2 bits.
- LDSSm:
  - Label - 8 bits.
  - Data - 21 bits.
  - SSM - 2 bits.
- LDATa:
  - Label - 8 bits.
  - Data - 23 bits.

**Query Syntax** :SBUS<n>:A429:FORMat?

The :SBUS<n>:A429:FORMat? query returns the current ARINC 429 word decode format setting.

**Return Format** <format><NL>

<format> ::= {LDSD | LDSS | LDAT}

**Errors** • ["-241, Hardware missing"](#) on page 1133

- See Also**
- ["Introduction to :SBUS<n> Commands"](#) on page 653
  - [":SBUS<n>:MODE"](#) on page 657
  - [":SBUS<n>:A429:TRIGger:PATtern:DATA"](#) on page 670
  - [":SBUS<n>:A429:TRIGger:PATtern:SDI"](#) on page 671
  - [":SBUS<n>:A429:TRIGger:PATtern:SSM"](#) on page 672
  - [":SBUS<n>:A429:TRIGger:TYPE"](#) on page 674
  - [":SBUS<n>:A429:SIGNal"](#) on page 666
  - [":SBUS<n>:A429:SPEed"](#) on page 668
  - [":SBUS<n>:A429:BASE"](#) on page 661
  - [":SBUS<n>:A429:SOURce"](#) on page 667

## :SBUS&lt;n&gt;:A429:SIGNal

**N** (see [page 1172](#))

**Command Syntax** :SBUS<n>:A429:SIGNal <signal>

<signal> ::= {A | B | DIFFerential}

The :SBUS<n>:A429:SIGNal command specifies the signal type:

- A – Line A (non-inverted).
- B – Line B (inverted).
- DIFFerential – Differential (A-B).

**Query Syntax** :SBUS<n>:A429:SIGNal?

The :SBUS<n>:A429:SIGNal? query returns the current ARINC 429 signal type setting.

**Return Format** <signal><NL>

<signal> ::= {A | B | DIFF}

**Errors** • ["-241, Hardware missing"](#) on page 1133

**See Also** • ["Introduction to :SBUS<n> Commands"](#) on page 653

• [":SBUS<n>:MODE"](#) on page 657

• [":SBUS<n>:A429:FORMat"](#) on page 665

• [":SBUS<n>:A429:SPEed"](#) on page 668

• [":SBUS<n>:A429:SOURce"](#) on page 667

## :SBUS&lt;n&gt;:A429:SOURce

**N** (see [page 1172](#))

**Command Syntax** :SBUS<n>:A429:SOURce <source>

<source> ::= {CHANnel<n>}

<n> ::= 1 to (# analog channels) in NR1 format

The :SBUS<n>:A429:SOURce command sets the source of the ARINC 429 signal.

**Query Syntax** :SBUS<n>:A429:SOURce?

The :SBUS<n>:A429:SOURce? query returns the currently set source of the ARINC 429 signal.

Use the :TRIGger:LEVel:HIGH and :TRIGger:LEVel:LOW commands to set the threshold levels for the selected source.

**Return Format** <source><NL>

- See Also**
- [":TRIGger:LEVel:HIGH"](#) on page 918
  - [":TRIGger:LEVel:LOW"](#) on page 919
  - [":TRIGger:MODE"](#) on page 920
  - [":SBUS<n>:MODE"](#) on page 657
  - [":SBUS<n>:A429:TRIGger:TYPE"](#) on page 674
  - [":SBUS<n>:A429:SIGNal"](#) on page 666
  - [":SBUS<n>:A429:SPEed"](#) on page 668
  - [":SBUS<n>:A429:FORMat"](#) on page 665
  - ["Introduction to :TRIGger Commands"](#) on page 911

**:SBUS<n>:A429:SPEEd**

**N** (see [page 1172](#))

**Command Syntax** :SBUS<n>:A429:SPEEd <speed>

<speed> ::= {LOW | HIGH}

The :SBUS<n>:A429:SPEEd command specifies the signal speed:

- LOW – 12.5 kb/s.
- HIGH – 100 kb/s.

**Query Syntax** :SBUS<n>:A429:SPEEd?

The :SBUS<n>:A429:SPEEd? query returns the current ARINC 429 signal speed setting.

**Return Format** <speed><NL>

<speed> ::= {LOW | HIGH}

**Errors** • ["-241, Hardware missing"](#) on page 1133

**See Also** • ["Introduction to :SBUS<n> Commands"](#) on page 653

• [":SBUS<n>:MODE"](#) on page 657

• [":SBUS<n>:A429:SIGNAL"](#) on page 666

• [":SBUS<n>:A429:FORMat"](#) on page 665

• [":SBUS<n>:A429:SOURce"](#) on page 667

## :SBUS&lt;n&gt;:A429:TRIGger:LABel

**N** (see [page 1172](#))

**Command Syntax** :SBUS<n>:A429:TRIGger:LABel <value>

<value> ::= 8-bit integer in decimal, <hex>, <octal>, or <string>  
from 0-255 or "0xXX" (don't care)

<hex> ::= #Hnn where n ::= {0,...,9 | A,...,F}

<octal> ::= #Qnnn where n ::= {0,...,7}

<string> ::= "0xnn" where n ::= {0,...,9 | A,...,F}

The :SBUS<n>:A429:TRIGger:LABel command defines the ARINC 429 label value when labels are used in the selected trigger type.

To set the label value to don't cares (0xXX), set the value to -1.

**Query Syntax** :SBUS<n>:A429:TRIGger:LABel?

The :SBUS<n>:A429:TRIGger:LABel? query returns the current label value in decimal format.

**Return Format** <value><NL> in decimal format

**Errors** · ["-241, Hardware missing"](#) on page 1133

**See Also** · ["Introduction to :TRIGger Commands"](#) on page 911  
· [":SBUS<n>:A429:TRIGger:TYPE"](#) on page 674

**:SBUS<n>:A429:TRIGger:PATtern:DATA**

**N** (see [page 1172](#))

**Command Syntax** :SBUS<n>:A429:TRIGger:PATtern:DATA <string>

<string> ::= "nn...n" where n ::= {0 | 1 | X}, length depends on FORMat

The :SBUS<n>:A429:TRIGger:PATtern:DATA command defines the ARINC 429 data pattern resource according to the string parameter. This pattern controls the data pattern searched for in each ARINC 429 word.

**NOTE**

If more bits are sent for <string> than specified by the :SBUS<n>:A429:FORMat command, the most significant bits will be truncated.

**Query Syntax** :SBUS<n>:A429:TRIGger:PATtern:DATA?

The :SBUS<n>:A429:TRIGger:PATtern:DATA? query returns the current settings of the specified ARINC 429 data pattern resource in the binary string format.

**Return Format** <string><NL> in nondecimal format

**Errors** · ["-241, Hardware missing"](#) on page 1133

- See Also** · ["Introduction to :TRIGger Commands"](#) on page 911
- [":SBUS<n>:A429:TRIGger:TYPE"](#) on page 674
  - [":SBUS<n>:A429:TRIGger:PATtern:SDI"](#) on page 671
  - [":SBUS<n>:A429:TRIGger:PATtern:SSM"](#) on page 672

## :SBUS&lt;n&gt;:A429:TRIGger:PATtern:SDI

**N** (see [page 1172](#))

**Command Syntax** :SBUS<n>:A429:TRIGger:PATtern:SDI <string>

<string> ::= "nn" where n ::= {0 | 1 | X}, length always 2 bits

The :SBUS<n>:A429:TRIGger:PATtern:SDI command defines the ARINC 429 two-bit SDI pattern resource according to the string parameter. This pattern controls the SDI pattern searched for in each ARINC 429 word.

The specified SDI is only used if the :SBUS<n>:A429:FORMat includes the SDI field.

**Query Syntax** :SBUS<n>:A429:TRIGger:PATtern:SDI?

The :SBUS<n>:A429:TRIGger:PATtern:SDI? query returns the current settings of the specified ARINC 429 two-bit SDI pattern resource in the binary string format.

**Return Format** <string><NL> in nondecimal format

**Errors** • ["-241, Hardware missing"](#) on page 1133

- See Also**
- ["Introduction to :TRIGger Commands"](#) on page 911
  - [":SBUS<n>:A429:FORMat"](#) on page 665
  - [":SBUS<n>:A429:TRIGger:TYPE"](#) on page 674
  - [":SBUS<n>:A429:TRIGger:PATtern:DATA"](#) on page 670
  - [":SBUS<n>:A429:TRIGger:PATtern:SSM"](#) on page 672

## :SBUS&lt;n&gt;:A429:TRIGger:PATtern:SSM

**N** (see [page 1172](#))

**Command Syntax** :SBUS<n>:A429:TRIGger:PATtern:SSM <string>

<string> ::= "nn" where n ::= {0 | 1 | X}, length always 2 bits

The :SBUS<n>:A429:TRIGger:PATtern:SSM command defines the ARINC 429 two-bit SSM pattern resource according to the string parameter. This pattern controls the SSM pattern searched for in each ARINC 429 word.

The specified SSM is only used if the :SBUS<n>:A429:FORMat includes the SSM field.

**Query Syntax** :SBUS<n>:A429:TRIGger:PATtern:SSM?

The :SBUS<n>:A429:TRIGger:PATtern:SSM? query returns the current settings of the specified ARINC 429 two-bit SSM pattern resource in the binary string format.

**Return Format** <string><NL> in nondecimal format

**Errors** • ["-241, Hardware missing"](#) on page 1133

- See Also**
- ["Introduction to :TRIGger Commands"](#) on page 911
  - [":SBUS<n>:A429:FORMat"](#) on page 665
  - [":SBUS<n>:A429:TRIGger:TYPE"](#) on page 674
  - [":SBUS<n>:A429:TRIGger:PATtern:DATA"](#) on page 670
  - [":SBUS<n>:A429:TRIGger:PATtern:SDI"](#) on page 671



## :SBUS&lt;n&gt;:A429:TRIGger:RANGe

**N** (see [page 1172](#))

**Command Syntax** :SBUS<n>:A429:TRIGger:RANGe <min>,<max>

<min> ::= 8-bit integer in decimal, <hex>, <octal>, or <string>  
from 0-255

<max> ::= 8-bit integer in decimal, <hex>, <octal>, or <string>  
from 0-255

<hex> ::= #Hnn where n ::= {0,...,9 | A,...,F}

<octal> ::= #Qnnn where n ::= {0,...,7}

<string> ::= "0xnn" where n ::= {0,...,9 | A,...,F}

The :SBUS<n>:A429:TRIGger:RANGe command defines a range of ARINC 429 label values. This range is used when the LRange trigger type is selected.

**Query Syntax** :SBUS<n>:A429:TRIGger:RANGe?

The :SBUS<n>:A429:TRIGger:RANGe? query returns the current label values in decimal format.

**Return Format** <min>,<max><NL> in decimal format

**Errors** · ["-241, Hardware missing"](#) on page 1133

**See Also** · ["Introduction to :TRIGger Commands"](#) on page 911

· [":SBUS<n>:A429:TRIGger:TYPE"](#) on page 674

## :SBUS&lt;n&gt;:A429:TRIGger:TYPE

**N** (see [page 1172](#))

**Command Syntax** :SBUS<n>:A429:TRIGger:TYPE <condition>

```
<condition> ::= {WSTArt | WSTOp | LABel | LBITs | PERRor | WERRor
                | GERRor | WGERrors | ALLerrors | LRANge | ABITs
                | AOBits | AZBits}
```

The :SBUS<n>:A429:TRIGger command sets the ARINC 429 trigger on condition:

- WSTArt – triggers on the start of a word.
- WSTOp – triggers at the end of a word.
- LABel – triggers on the specified label value.
- LBITs – triggers on the label and the other word fields as specified.
- LRANge – triggers on a label within a min/max range.
- PERRor – triggers on words with a parity error.
- WERRor – triggers on an intra-word coding error.
- GERRor – triggers on an inter-word gap error.
- WGERrors – triggers on either a Word or Gap Error.
- ALLerrors – triggers on any of the above errors.
- ABITs – triggers on any bit, which will therefore form an eye diagram.
- AZBits – triggers on any bit with a value of zero.
- AOBits – triggers on any bit with a value of one.

**Query Syntax** :SBUS<n>:A429:TRIGger:TYPE?

The :SBUS<n>:A429:TRIGger:TYPE? query returns the current ARINC 429 trigger on condition.

**Return Format** <condition><NL>

```
<condition> ::= {WSTA | WSTO | LAB | LBIT | PERR | WERR | GERR | WGER
                | ALL | LRAN | ABIT | AOB | AZB}
```

**Errors** • ["-241, Hardware missing"](#) on page 1133

- See Also**
- ["Introduction to :SBUS<n> Commands"](#) on page 653
  - [":SBUS<n>:MODE"](#) on page 657
  - [":SBUS<n>:A429:TRIGger:LABel"](#) on page 669
  - [":SBUS<n>:A429:TRIGger:PATtern:DATA"](#) on page 670
  - [":SBUS<n>:A429:TRIGger:PATtern:SDI"](#) on page 671
  - [":SBUS<n>:A429:TRIGger:PATtern:SSM"](#) on page 672
  - [":SBUS<n>:A429:TRIGger:RANGe"](#) on page 673

- **":SBUS<n>:A429:SOURce"** on page 667

## :SBUS&lt;n&gt;:CAN Commands

**NOTE**

These commands are valid when the automotive CAN and LIN serial decode option (Option AMS) has been licensed.

**Table 102** :SBUS<n>:CAN Commands Summary

Command	Query	Options and Query Returns
n/a	:SBUS<n>:CAN:COUNT:ERror? (see <a href="#">page 678</a> )	<frame_count> ::= integer in NR1 format
n/a	:SBUS<n>:CAN:COUNT:OVERload? (see <a href="#">page 679</a> )	<frame_count> ::= integer in NR1 format
:SBUS<n>:CAN:COUNT:RESet (see <a href="#">page 680</a> )	n/a	n/a
n/a	:SBUS<n>:CAN:COUNT:TOTAL? (see <a href="#">page 681</a> )	<frame_count> ::= integer in NR1 format
n/a	:SBUS<n>:CAN:COUNT:UTILization? (see <a href="#">page 682</a> )	<percent> ::= floating-point in NR3 format
:SBUS<n>:CAN:SAMPLEpoint <value> (see <a href="#">page 683</a> )	:SBUS<n>:CAN:SAMPLEpoint? (see <a href="#">page 683</a> )	<value> ::= {60   62.5   68   70   75   80   87.5} in NR3 format
:SBUS<n>:CAN:SIGNAL:BAUDrate <baudrate> (see <a href="#">page 684</a> )	:SBUS<n>:CAN:SIGNAL:BAUDrate? (see <a href="#">page 684</a> )	<baudrate> ::= integer from 10000 to 4000000 in 100 b/s increments, or 5000000
:SBUS<n>:CAN:SIGNAL:DEFinition <value> (see <a href="#">page 685</a> )	:SBUS<n>:CAN:SIGNAL:DEFinition? (see <a href="#">page 685</a> )	<value> ::= {CANH   CANL   RX   TX   DIFFerential   DIFL   DIFH}
:SBUS<n>:CAN:SOURCE <source> (see <a href="#">page 686</a> )	:SBUS<n>:CAN:SOURCE? (see <a href="#">page 686</a> )	<source> ::= {CHANnel<n>   EXTERNAL} for DSO models <source> ::= {CHANnel<n>   DIGital<d>   } for MSO models <n> ::= 1 to (# analog channels) in NR1 format <d> ::= 0 to (# digital channels - 1) in NR1 format
:SBUS<n>:CAN:TRIGGER <condition> (see <a href="#">page 687</a> )	:SBUS<n>:CAN:TRIGGER? (see <a href="#">page 688</a> )	<condition> ::= {SOF   DATA   ERROR   IDData   IDEither   IDRemote   ALLerrors   OVERload   ACKerror}

**Table 102** :SBUS<n>:CAN Commands Summary (continued)

Command	Query	Options and Query Returns
:SBUS<n>:CAN:TRIGger: PATtern:DATA <string> (see <a href="#">page 689</a> )	:SBUS<n>:CAN:TRIGger: PATtern:DATA? (see <a href="#">page 689</a> )	<string> ::= "nn...n" where n ::= {0   1   X   \$}  <string ::= "0xnn...n" where n ::= {0,...,9   A,...,F   X   \$}
:SBUS<n>:CAN:TRIGger: PATtern:DATA:LENGth <length> (see <a href="#">page 690</a> )	:SBUS<n>:CAN:TRIGger: PATtern:DATA:LENGth? (see <a href="#">page 690</a> )	<length> ::= integer from 1 to 8 in NR1 format
:SBUS<n>:CAN:TRIGger: PATtern:ID <string> (see <a href="#">page 691</a> )	:SBUS<n>:CAN:TRIGger: PATtern:ID? (see <a href="#">page 691</a> )	<string> ::= "nn...n" where n ::= {0   1   X   \$}  <string ::= "0xnn...n" where n ::= {0,...,9   A,...,F   X   \$}
:SBUS<n>:CAN:TRIGger: PATtern:ID:MODE <value> (see <a href="#">page 692</a> )	:SBUS<n>:CAN:TRIGger: PATtern:ID:MODE? (see <a href="#">page 692</a> )	<value> ::= {STANdard   EXTended}

## :SBUS<n>:CAN:COUNT:ERRor

**N** (see [page 1172](#))

**Query Syntax** :SBUS<n>:CAN:COUNT:ERRor?

Returns the error frame count.

**Return Format** <frame\_count><NL>

<frame\_count> ::= integer in NR1 format

**Errors** • ["-241, Hardware missing"](#) on page 1133

- See Also**
- [":SBUS<n>:CAN:COUNT:RESet"](#) on page 680
  - ["Introduction to :SBUS<n> Commands"](#) on page 653
  - [":SBUS<n>:MODE"](#) on page 657
  - [":SBUS<n>:CAN Commands"](#) on page 676

## :SBUS&lt;n&gt;:CAN:COUNT:OVERload

**N** (see [page 1172](#))

**Query Syntax** :SBUS<n>:CAN:COUNT:OVERload?

Returns the overload frame count.

**Return Format** <frame\_count><NL>

<frame\_count> ::= integer in NR1 format

**Errors** • ["-241, Hardware missing"](#) on page 1133

- See Also**
- [":SBUS<n>:CAN:COUNT:RESet"](#) on page 680
  - ["Introduction to :SBUS<n> Commands"](#) on page 653
  - [":SBUS<n>:MODE"](#) on page 657
  - [":SBUS<n>:CAN Commands"](#) on page 676

## :SBUS<n>:CAN:COUNT:RESet

**N** (see [page 1172](#))

**Command Syntax** :SBUS<n>:CAN:COUNT:RESet

Resets the frame counters.

- Errors**
- ["-241, Hardware missing"](#) on page 1133
- See Also**
- [":SBUS<n>:CAN:COUNT:ERRor"](#) on page 678
  - [":SBUS<n>:CAN:COUNT:OVERload"](#) on page 679
  - [":SBUS<n>:CAN:COUNT:TOTal"](#) on page 681
  - [":SBUS<n>:CAN:COUNT:UTILization"](#) on page 682
  - ["Introduction to :SBUS<n> Commands"](#) on page 653
  - [":SBUS<n>:MODE"](#) on page 657
  - [":SBUS<n>:CAN Commands"](#) on page 676



## :SBUS&lt;n&gt;:CAN:COUNT:TOTAL

**N** (see [page 1172](#))

**Query Syntax** :SBUS<n>:CAN:COUNT:TOTAL?

Returns the total frame count.

**Return Format** <frame\_count><NL>

<frame\_count> ::= integer in NR1 format

**Errors** • ["-241, Hardware missing"](#) on page 1133

- See Also**
- [":SBUS<n>:CAN:COUNT:RESet"](#) on page 680
  - ["Introduction to :SBUS<n> Commands"](#) on page 653
  - [":SBUS<n>:MODE"](#) on page 657
  - [":SBUS<n>:CAN Commands"](#) on page 676

## :SBUS<n>:CAN:COUNT:UTILization

**N** (see [page 1172](#))

**Query Syntax** :SBUS<n>:CAN:COUNT:UTILization?

Returns the percent utilization.

**Return Format** <percent><NL>

<percent> ::= floating-point in NR3 format

**Errors** · ["-241, Hardware missing"](#) on page 1133

- See Also** · [":SBUS<n>:CAN:COUNT:RESet"](#) on page 680
- ["Introduction to :SBUS<n> Commands"](#) on page 653
  - [":SBUS<n>:MODE"](#) on page 657
  - [":SBUS<n>:CAN Commands"](#) on page 676

## :SBUS&lt;n&gt;:CAN:SAMPLepoint

**N** (see [page 1172](#))

**Command Syntax** :SBUS<n>:CAN:SAMPLepoint <value>

<value><NL>

<value> ::= {60 | 62.5 | 68 | 70 | 75 | 80 | 87.5} in NR3 format

The :SBUS<n>:CAN:SAMPLepoint command sets the point during the bit time where the bit level is sampled to determine whether the bit is dominant or recessive. The sample point represents the percentage of time between the beginning of the bit time to the end of the bit time.

**Query Syntax** :SBUS<n>:CAN:SAMPLepoint?

The :SBUS<n>:CAN:SAMPLepoint? query returns the current CAN sample point setting.

**Return Format** <value><NL>

<value> ::= {60 | 62.5 | 68 | 70 | 75 | 80 | 87.5} in NR3 format

- See Also**
- ["Introduction to :TRIGger Commands"](#) on page 911
  - [":SBUS<n>:MODE"](#) on page 657
  - [":SBUS<n>:CAN:TRIGger"](#) on page 687

## :SBUS&lt;n&gt;:CAN:SIGNal:BAUDrate

**N** (see [page 1172](#))

**Command Syntax** :SBUS<n>:CAN:SIGNal:BAUDrate <baudrate>

<baudrate> ::= integer from 10000 to 4000000 in 100 b/s increments,  
or 5000000

The :SBUS<n>:CAN:SIGNal:BAUDrate command sets the standard baud rate of the CAN signal from 10 kb/s to 4 Mb/s in 100 b/s increments. If you enter a baud rate that is not divisible by 100 b/s, the baud rate is set to the nearest baud rate divisible by 100 b/s.

You can also set the baud rate of the CAN signal to 5 Mb/s. Fractional baud rates between 4 Mb/s and 5 Mb/s are not allowed.

If the baud rate you select does not match the system baud rate, false triggers may occur.

**Query Syntax** :SBUS<n>:CAN:SIGNal:BAUDrate?

The :SBUS<n>:CAN:SIGNal:BAUDrate? query returns the current CAN baud rate setting.

**Return Format** <baudrate><NL>

<baudrate> ::= integer from 10000 to 4000000 in 100 b/s increments,  
or 5000000

- See Also**
- ["Introduction to :TRIGger Commands"](#) on page 911
  - [":SBUS<n>:MODE"](#) on page 657
  - [":SBUS<n>:CAN:TRIGger"](#) on page 687
  - [":SBUS<n>:CAN:SIGNal:DEFinition"](#) on page 685
  - [":SBUS<n>:CAN:SOURce"](#) on page 686

## :SBUS&lt;n&gt;:CAN:SIGNal:DEFinition

**N** (see [page 1172](#))

**Command Syntax** :SBUS<n>:CAN:SIGNal:DEFinition <value>

<value> ::= {CANH | CANL | RX | TX | DIFFerential | DIFL | DIFH}

The :SBUS<n>:CAN:SIGNal:DEFinition command sets the CAN signal type when :SBUS<n>:CAN:TRIGger is set to SOF (start of frame). These signals can be set to:

Dominant high signals:

- CANH – the actual CAN\_H differential bus signal.
- DIFH – the CAN differential (H-L) bus signal connected to an analog source channel using a differential probe.

Dominant low signals:

- CANL – the actual CAN\_L differential bus signal.
- RX – the Receive signal from the CAN bus transceiver.
- TX – the Transmit signal to the CAN bus transceiver.
- DIFL – the CAN differential (L-H) bus signal connected to an analog source channel using a differential probe.
- DIFFerential – the CAN differential bus signal connected to an analog source channel using a differential probe. This is the same as DIFL.

**Query Syntax** :SBUS<n>:CAN:SIGNal:DEFinition?

The :SBUS<n>:CAN:SIGNal:DEFinition? query returns the current CAN signal type.

**Return Format** <value><NL>

<value> ::= {CANH | CANL | RX | TX | DIFL | DIFH}

- See Also**
- ["Introduction to :TRIGger Commands"](#) on page 911
  - [":SBUS<n>:MODE"](#) on page 657
  - [":SBUS<n>:CAN:SIGNal:BAUDrate"](#) on page 684
  - [":SBUS<n>:CAN:SOURce"](#) on page 686
  - [":SBUS<n>:CAN:TRIGger"](#) on page 687

**:SBUS<n>:CAN:SOURce**

**N** (see [page 1172](#))

**Command Syntax** :SBUS<n>:CAN:SOURce <source>

<source> ::= {CHANnel<n> | EXTernal} for the DSO models

<source> ::= {CHANnel<n> | DIGital<d>} for the MSO models

<n> ::= 1 to (# analog channels) in NR1 format

<d> ::= 0 to (# digital channels - 1) in NR1 format

The :SBUS<n>:CAN:SOURce command sets the source for the CAN signal.

**Query Syntax** :SBUS<n>:CAN:SOURce?

The :SBUS<n>:CAN:SOURce? query returns the current source for the CAN signal.

**Return Format** <source><NL>

- See Also**
- ["Introduction to :TRIGger Commands"](#) on page 911
  - [":SBUS<n>:MODE"](#) on page 657
  - [":SBUS<n>:CAN:TRIGger"](#) on page 687
  - [":SBUS<n>:CAN:SIGNAL:DEFinition"](#) on page 685

## :SBUS&lt;n&gt;:CAN:TRIGger

**N** (see [page 1172](#))

**Command Syntax** :SBUS<n>:CAN:TRIGger <condition>

<condition> ::= {SOF | DATA | ERRor | IDData | IDEither | IDRemote | ALLerrors | OVERload | ACKerror}

The :SBUS<n>:CAN:TRIGger command sets the CAN trigger on condition:

- SOF - will trigger on the Start of Frame (SOF) bit of a Data frame, Remote Transfer Request (RTR) frame, or an Overload frame.
- DATA - will trigger on CAN Data frames matching the specified Id, Data, and the DLC (Data length code).
- ERRor - will trigger on CAN Error frame.
- IDData - will trigger on CAN frames matching the specified Id of a Data frame.
- IDEither - will trigger on the specified Id, regardless if it is a Remote frame or a Data frame.
- IDRemote - will trigger on CAN frames matching the specified Id of a Remote frame.
- ALLerrors - will trigger on CAN active error frames and unknown bus conditions.
- OVERload - will trigger on CAN overload frames.
- ACKerror - will trigger on a data or remote frame acknowledge bit that is recessive.

The table below shows the programming parameter and the corresponding front-panel softkey selection:

Remote <condition> parameter	Front-panel Trigger on: softkey selection (softkey text - softkey popup text)
SOF	SOF - Start of Frame
DATA	ID & Data - Data Frame ID and Data
ERRor	Error - Error frame
IDData	ID & ~RTR - Data Frame ID (~RTR)
IDEither	ID - Remote or Data Frame ID
IDRemote	ID & RTR - Remote Frame ID (RTR)
ALLerrors	All Errors - All Errors
OVERload	Overload - Overload Frame
ACKerror	Ack Error - Acknowledge Error

CAN Id specification is set by the :SBUS<n>:CAN:TRIGger:PATtern:ID and :SBUS<n>:CAN:TRIGger:PATtern:ID:MODE commands.

CAN Data specification is set by the :SBUS<n>:CAN:TRIGger:PATtern:DATA command.

CAN Data Length Code is set by the :SBUS<n>:CAN:TRIGger:PATtern:DATA:LENGth command.

**Query Syntax** :SBUS<n>:CAN:TRIGger?

The :SBUS<n>:CAN:TRIGger? query returns the current CAN trigger on condition.

**Return Format** <condition><NL>

<condition> ::= {SOF | DATA | ERR | IDD | IDE | IDR | ALL | OVER | ACK}

**Errors** • **"-241, Hardware missing"** on page 1133

- See Also**
- **"Introduction to :SBUS<n> Commands"** on page 653
  - **":SBUS<n>:MODE"** on page 657
  - **":SBUS<n>:CAN:TRIGger:PATtern:DATA"** on page 689
  - **":SBUS<n>:CAN:TRIGger:PATtern:DATA:LENGth"** on page 690
  - **":SBUS<n>:CAN:TRIGger:PATtern:ID"** on page 691
  - **":SBUS<n>:CAN:TRIGger:PATtern:ID:MODE"** on page 692
  - **":SBUS<n>:CAN:SIGNal:DEFinition"** on page 685
  - **":SBUS<n>:CAN:SOURce"** on page 686



## :SBUS&lt;n&gt;:CAN:TRIGger:PATtern:DATA

**N** (see [page 1172](#))

**Command Syntax** :SBUS<n>:CAN:TRIGger:PATtern:DATA <string>

<string> ::= "nn...n" where n ::= {0 | 1 | X | \$}

<string ::= "0xnn...n" where n ::= {0,...,9 | A,...,F | X | \$}

The :SBUS<n>:CAN:TRIGger:PATtern:DATA command defines the CAN data pattern resource according to the string parameter. This pattern, along with the data length (set by the :SBUS<n>:CAN:TRIGger:PATtern:DATA:LENGth command), control the data pattern searched for in each CAN message.

If the string parameter starts with "0x", it is a hexadecimal string made up of hexadecimal and X (don't care) characters; otherwise, it is a binary string made up of 0, 1, and X (don't care) characters.

**NOTE**

If more bits are sent for <string> than specified by the :SBUS<n>:CAN:TRIGger:PATtern:DATA:LENGth command, the most significant bits will be truncated. If the data length is changed after the <string> is programmed, the added or deleted bits will be added to or deleted from the least significant bits.

**Query Syntax** :SBUS<n>:CAN:TRIGger:PATtern:DATA?

The :SBUS<n>:CAN:TRIGger:PATtern:DATA? query returns the current settings of the specified CAN data pattern resource in the binary string format.

**Return Format** <string><NL> in nondecimal format

**Errors** • ["-241, Hardware missing"](#) on page 1133

**See Also** • ["Introduction to :TRIGger Commands"](#) on page 911

• [":SBUS<n>:CAN:TRIGger:PATtern:DATA:LENGth"](#) on page 690

• [":SBUS<n>:CAN:TRIGger:PATtern:ID"](#) on page 691

## :SBUS&lt;n&gt;:CAN:TRIGger:PATtern:DATA:LENGth

**N** (see [page 1172](#))

**Command Syntax** :SBUS<n>:CAN:TRIGger:PATtern:DATA:LENGth <length>

<length> ::= integer from 1 to 8 in NR1 format

The :SBUS<n>:CAN:TRIGger:PATtern:DATA:LENGth command sets the number of 8-bit bytes in the CAN data string. The number of bytes in the string can be anywhere from 1 bytes to 8 bytes (64 bits). The value for these bytes is set by the :SBUS<n>:CAN:TRIGger:PATtern:DATA command.

**Query Syntax** :SBUS<n>:CAN:TRIGger:PATtern:DATA:LENGth?

The :SBUS<n>:CAN:TRIGger:PATtern:DATA:LENGth? query returns the current CAN data pattern length setting.

**Return Format** <count><NL>

<count> ::= integer from 1 to 8 in NR1 format

**Errors** • ["-241, Hardware missing"](#) on page 1133

- See Also**
- ["Introduction to :TRIGger Commands"](#) on page 911
  - [":SBUS<n>:CAN:TRIGger:PATtern:DATA"](#) on page 689
  - [":SBUS<n>:CAN:SOURce"](#) on page 686

## :SBUS&lt;n&gt;:CAN:TRIGger:PATtern:ID

**N** (see [page 1172](#))

**Command Syntax** :SBUS<n>:CAN:TRIGger:PATtern:ID <string>

<string> ::= "nn...n" where n ::= {0 | 1 | X | \$}

<string ::= "0xnn...n" where n ::= {0,...,9 | A,...,F | X | \$}

The :SBUS<n>:CAN:TRIGger:PATtern:ID command defines the CAN identifier pattern resource according to the string parameter. This pattern, along with the identifier mode (set by the :SBUS<n>:CAN:TRIGger:PATtern:ID:MODE command), control the identifier pattern searched for in each CAN message.

If the string parameter starts with "0x", it is a hexadecimal string made up of hexadecimal and X (don't care) characters; otherwise, it is a binary string made up of 0, 1, and X (don't care) characters.

**NOTE**

The ID pattern resource string is always 29 bits. Only 11 of these bits are used when the :SBUS<n>:CAN:TRIGger:PATtern:ID:MODE is STANDard.

A string longer than 29 bits is truncated to 29 bits when setting the ID pattern resource.

**Query Syntax** :SBUS<n>:CAN:TRIGger:PATtern:ID?

The :SBUS<n>:CAN:TRIGger:PATtern:ID? query returns the current settings of the specified CAN identifier pattern resource in the 29-bit binary string format.

**Return Format** <string><NL> in 29-bit binary string format

**Errors** • ["-241, Hardware missing"](#) on page 1133

**See Also** • ["Introduction to :TRIGger Commands"](#) on page 911  
 • [":SBUS<n>:CAN:TRIGger:PATtern:ID:MODE"](#) on page 692  
 • [":SBUS<n>:CAN:TRIGger:PATtern:DATA"](#) on page 689

## :SBUS&lt;n&gt;:CAN:TRIGger:PATtern:ID:MODE

**N** (see [page 1172](#))

**Command Syntax** :SBUS<n>:CAN:TRIGger:PATtern:ID:MODE <value>

<value> ::= {STANdard | EXTended}

The :SBUS<n>:CAN:TRIGger:PATtern:ID:MODE command sets the CAN identifier mode. STANdard selects the standard 11-bit identifier. EXTended selects the extended 29-bit identifier. The CAN identifier is set by the :SBUS<n>:CAN:TRIGger:PATtern:ID command.

**Query Syntax** :SBUS<n>:CAN:TRIGger:PATtern:ID:MODE?

The :SBUS<n>:CAN:TRIGger:PATtern:ID:MODE? query returns the current setting of the CAN identifier mode.

**Return Format** <value><NL>

<value> ::= {STAN | EXT}

**Errors** • ["-241, Hardware missing"](#) on page 1133

- See Also**
- ["Introduction to :TRIGger Commands"](#) on page 911
  - [":SBUS<n>:MODE"](#) on page 657
  - [":SBUS<n>:CAN:TRIGger:PATtern:DATA"](#) on page 689
  - [":SBUS<n>:CAN:TRIGger:PATtern:DATA:LENGth"](#) on page 690
  - [":SBUS<n>:CAN:TRIGger:PATtern:ID"](#) on page 691

## :SBUS&lt;n&gt;:FLEXray Commands

**NOTE**

These commands are only valid when the FLEXray triggering and serial decode option (Option FLEX) has been licensed.

**Table 103** :SBUS<n>:FLEXray Commands Summary

Command	Query	Options and Query Returns
:SBUS<n>:FLEXray:AUTOsetup (see <a href="#">page 695</a> )	n/a	n/a
:SBUS<n>:FLEXray:BAUDrate <baudrate> (see <a href="#">page 696</a> )	:SBUS<n>:FLEXray:BAUDrate? (see <a href="#">page 696</a> )	<baudrate> ::= {2500000   5000000   10000000}
:SBUS<n>:FLEXray:CHANnel <channel> (see <a href="#">page 697</a> )	:SBUS<n>:FLEXray:CHANnel? (see <a href="#">page 697</a> )	<channel> ::= {A   B}
n/a	:SBUS<n>:FLEXray:COUNt:NULL? (see <a href="#">page 698</a> )	<frame_count> ::= integer in NR1 format
:SBUS<n>:FLEXray:COUNt:RESet (see <a href="#">page 699</a> )	n/a	n/a
n/a	:SBUS<n>:FLEXray:COUNt:SYNC? (see <a href="#">page 700</a> )	<frame_count> ::= integer in NR1 format
n/a	:SBUS<n>:FLEXray:COUNt:TOTal? (see <a href="#">page 701</a> )	<frame_count> ::= integer in NR1 format
:SBUS<n>:FLEXray:SOURce <source> (see <a href="#">page 702</a> )	:SBUS<n>:FLEXray:SOURce? (see <a href="#">page 702</a> )	<source> ::= {CHANnel<n>} <n> ::= 1-2 or 1-4 in NR1 format
:SBUS<n>:FLEXray:TRIGger <condition> (see <a href="#">page 703</a> )	:SBUS<n>:FLEXray:TRIGger? (see <a href="#">page 703</a> )	<condition> ::= {FRAME   ERROR   EVENT}
:SBUS<n>:FLEXray:TRIGger:ERROR:TYPE <error_type> (see <a href="#">page 704</a> )	:SBUS<n>:FLEXray:TRIGger:ERROR:TYPE? (see <a href="#">page 704</a> )	<error_type> ::= {ALL   HCRC   FCRC}
:SBUS<n>:FLEXray:TRIGger:EVENT:AUTOset (see <a href="#">page 705</a> )	n/a	n/a
:SBUS<n>:FLEXray:TRIGger:EVENT:BSS:ID <frame_id> (see <a href="#">page 706</a> )	:SBUS<n>:FLEXray:TRIGger:EVENT:BSS:ID? (see <a href="#">page 706</a> )	<frame_id> ::= {ALL   <frame #>} <frame #> ::= integer from 1-2047

**Table 103** :SBUS<n>:FLEXray Commands Summary (continued)

Command	Query	Options and Query Returns
:SBUS<n>:FLEXray:TRIGGER:EVENT:TYPE <event> (see <a href="#">page 707</a> )	:SBUS<n>:FLEXray:TRIGGER:EVENT:TYPE? (see <a href="#">page 707</a> )	<event> ::= {WAKEup   TSS   {FES   DTS}   BSS}
:SBUS<n>:FLEXray:TRIGGER:FRAME:CCBase <cycle_count_base> (see <a href="#">page 708</a> )	:SBUS<n>:FLEXray:TRIGGER:FRAME:CCBase? (see <a href="#">page 708</a> )	<cycle_count_base> ::= integer from 0-63
:SBUS<n>:FLEXray:TRIGGER:FRAME:CCRepetition <cycle_count_repetition> (see <a href="#">page 709</a> )	:SBUS<n>:FLEXray:TRIGGER:FRAME:CCRepetition? (see <a href="#">page 709</a> )	<cycle_count_repetition> ::= {ALL   <rep #>} <rep #> ::= integer values 2, 4, 8, 16, 32, or 64
:SBUS<n>:FLEXray:TRIGGER:FRAME:ID <frame_id> (see <a href="#">page 710</a> )	:SBUS<n>:FLEXray:TRIGGER:FRAME:ID? (see <a href="#">page 710</a> )	<frame_id> ::= {ALL   <frame #>} <frame #> ::= integer from 1-2047
:SBUS<n>:FLEXray:TRIGGER:FRAME:TYPE <frame_type> (see <a href="#">page 711</a> )	:SBUS<n>:FLEXray:TRIGGER:FRAME:TYPE? (see <a href="#">page 711</a> )	<frame_type> ::= {NORMAL   STARTup   NULL   SYNC   NSTartup   NNUL1   NSYNc   ALL}

## :SBUS&lt;n&gt;:FLEXray:AUTosetup

**N** (see [page 1172](#))

**Command Syntax** :SBUS<n>:FLEXray:AUTosetup

The :SBUS<n>:FLEXray:AUTosetup command automatically configures oscilloscope settings to facilitate FlexRay triggering and serial decode.

- Sets the selected source channel's impedance to 50 Ohms.
- Sets the selected source channel's probe attenuation to 10:1.
- Sets the trigger level (on the selected source channel) to -300 mV.
- Turns on trigger Noise Reject.
- Turns on Serial Decode.
- Sets the trigger to the specified serial bus (n of SBUS<n>).

- See Also**
- ["Introduction to :TRIGger Commands"](#) on page 911
  - [":SBUS<n>:FLEXray:TRIGger"](#) on page 703
  - [":SBUS<n>:FLEXray:BAUDrate"](#) on page 696
  - [":TRIGger\[:EDGE\]:LEVel"](#) on page 937
  - [":SBUS<n>:FLEXray:SOURce"](#) on page 702

## :SBUS&lt;n&gt;:FLEXray:BAUDrate

**N** (see [page 1172](#))

**Command Syntax** :SBUS<n>:FLEXray:BAUDrate <baudrate>

<baudrate> ::= {2500000 | 5000000 | 10000000}

The :SBUS<n>:FLEXray:BAUDrate command specifies the baud rate as 2.5 Mb/s, 5 Mb/s, or 10 Mb/s.

**Query Syntax** :SBUS<n>:FLEXray:BAUDrate?

The :SBUS<n>:FLEXray:BAUDrate? query returns the current baud rate setting.

**Return Format** <baudrate><NL>

<baudrate> ::= {2500000 | 5000000 | 10000000}

- See Also**
- ["Introduction to :TRIGger Commands"](#) on page 911
  - [":SBUS<n>:FLEXray Commands"](#) on page 693



## :SBUS&lt;n&gt;:FLEXray:CHANnel

**N** (see [page 1172](#))

**Command Syntax** :SBUS<n>:FLEXray:CHANnel <channel>

<channel> ::= {A | B}

The :SBUS<n>:FLEXray:CHANnel command specifies the bus channel, A or B, of the FlexRay signal.

**Query Syntax** :SBUS<n>:FLEXray:CHANnel?

The :SBUS<n>:FLEXray:CHANnel? query returns the current bus channel setting.

**Return Format** <channel><NL>

<channel> ::= {A | B}

- See Also**
- ["Introduction to :TRIGger Commands"](#) on page 911
  - [":SBUS<n>:FLEXray Commands"](#) on page 693

## :SBUS&lt;n&gt;:FLEXray:COUNT:NULL

**N** (see [page 1172](#))

**Query Syntax** :SBUS<n>:FLEXray:COUNT:NULL?

Returns the FlexRay null frame count.

**Return Format** <frame\_count><NL>

<frame\_count> ::= integer in NR1 format

**Errors** • ["-241, Hardware missing"](#) on page 1133

- See Also**
- [":SBUS<n>:FLEXray:COUNT:RESet"](#) on page 699
  - [":SBUS<n>:FLEXray:COUNT:TOTal"](#) on page 701
  - [":SBUS<n>:FLEXray:COUNT:SYNC"](#) on page 700
  - ["Introduction to :SBUS<n> Commands"](#) on page 653
  - [":SBUS<n>:MODE"](#) on page 657
  - [":SBUS<n>:FLEXray Commands"](#) on page 693

## :SBUS<n>:FLEXray:COUNT:RESet

**N** (see [page 1172](#))

**Command Syntax** :SBUS<n>:FLEXray:COUNT:RESet

Resets the FlexRay frame counters.

- Errors**
- ["-241, Hardware missing"](#) on page 1133
- See Also**
- [":SBUS<n>:FLEXray:COUNT:NULL"](#) on page 698
  - [":SBUS<n>:FLEXray:COUNT:TOTal"](#) on page 701
  - [":SBUS<n>:FLEXray:COUNT:SYNC"](#) on page 700
  - ["Introduction to :SBUS<n> Commands"](#) on page 653
  - [":SBUS<n>:MODE"](#) on page 657
  - [":SBUS<n>:FLEXray Commands"](#) on page 693

## :SBUS&lt;n&gt;:FLEXray:COUNT:SYNC

**N** (see [page 1172](#))

**Query Syntax** :SBUS<n>:FLEXray:COUNT:SYNC?

Returns the FlexRay sync frame count.

**Return Format** <frame\_count><NL>

<frame\_count> ::= integer in NR1 format

**Errors** • ["-241, Hardware missing"](#) on page 1133

- See Also**
- [":SBUS<n>:FLEXray:COUNT:RESet"](#) on page 699
  - [":SBUS<n>:FLEXray:COUNT:TOTal"](#) on page 701
  - [":SBUS<n>:FLEXray:COUNT:NULL"](#) on page 698
  - ["Introduction to :SBUS<n> Commands"](#) on page 653
  - [":SBUS<n>:MODE"](#) on page 657
  - [":SBUS<n>:FLEXray Commands"](#) on page 693

## :SBUS&lt;n&gt;:FLEXray:COUNT:TOTal

**N** (see [page 1172](#))

**Query Syntax** :SBUS<n>:FLEXray:COUNT:TOTal?

Returns the FlexRay total frame count.

**Return Format** <frame\_count><NL>

<frame\_count> ::= integer in NR1 format

**Errors** • ["-241, Hardware missing"](#) on page 1133

- See Also**
- [":SBUS<n>:FLEXray:COUNT:RESet"](#) on page 699
  - [":SBUS<n>:FLEXray:COUNT:TOTal"](#) on page 701
  - [":SBUS<n>:FLEXray:COUNT:NULL"](#) on page 698
  - [":SBUS<n>:FLEXray:COUNT:SYNC"](#) on page 700
  - ["Introduction to :SBUS<n> Commands"](#) on page 653
  - [":SBUS<n>:MODE"](#) on page 657
  - [":SBUS<n>:FLEXray Commands"](#) on page 693

**:SBUS<n>:FLEXray:SOURce**

**N** (see [page 1172](#))

**Command Syntax** :SBUS<n>:FLEXray:SOURce <source>

<source> ::= {CHANnel<n>}

<n> ::= {1 | 2 | 3 | 4}

The :SBUS<n>:FLEXray:SOURce command specifies the input source for the FlexRay signal.

**Query Syntax** :SBUS<n>:FLEXray:SOURce?

The :SBUS<n>:FLEXray:SOURce? query returns the current source for the FlexRay signal.

**Return Format** <source><NL>

- See Also**
- ["Introduction to :TRIGger Commands"](#) on page 911
  - [":SBUS<n>:FLEXray:TRIGger"](#) on page 703
  - [":SBUS<n>:FLEXray:TRIGger:EVENT:TYPE"](#) on page 707
  - [":SBUS<n>:FLEXray:AUTOsetup"](#) on page 695

## :SBUS&lt;n&gt;:FLEXray:TRIGger

**N** (see [page 1172](#))

**Command Syntax** :SBUS<n>:FLEXray:TRIGger <condition>

<condition> ::= {FRAMe | ERRor | EVENT}

The :SBUS<n>:FLEXray:TRIGger:TRIGger command sets the FLEXray trigger on condition:

- FRAMe – triggers on specified frames (without errors).
- ERRor – triggers on selected active error frames and unknown bus conditions.
- EVENT – triggers on specified FlexRay event/symbol.

**Query Syntax** :SBUS<n>:FLEXray:TRIGger?

The :SBUS<n>:FLEXray:TRIGger? query returns the current FLEXray trigger on condition.

**Return Format** <condition><NL>

<condition> ::= {FRAM | ERR | EVEN}

- See Also**
- ["Introduction to :TRIGger Commands"](#) on page 911
  - [":TRIGger:MODE"](#) on page 920
  - [":SBUS<n>:FLEXray:TRIGger:ERRor:TYPE"](#) on page 704
  - [":SBUS<n>:FLEXray:TRIGger:EVENT:AUToset"](#) on page 705
  - [":SBUS<n>:FLEXray:TRIGger:EVENT:BSS:ID"](#) on page 706
  - [":SBUS<n>:FLEXray:TRIGger:EVENT:TYPE"](#) on page 707
  - [":SBUS<n>:FLEXray:TRIGger:FRAME:CCBase"](#) on page 708
  - [":SBUS<n>:FLEXray:TRIGger:FRAME:CCRepetition"](#) on page 709
  - [":SBUS<n>:FLEXray:TRIGger:FRAME:ID"](#) on page 710
  - [":SBUS<n>:FLEXray:TRIGger:FRAME:TYPE"](#) on page 711

## :SBUS&lt;n&gt;:FLEXray:TRIGger:ERRor:TYPE

**N** (see [page 1172](#))

**Command Syntax** :SBUS<n>:FLEXray:TRIGger:ERRor:TYPE <error\_type>

<error\_type> ::= {ALL | HCRC | FCRC}

Selects the FlexRay error type to trigger on. The error type setting is only valid when the FlexRay trigger mode is set to ERRor.

- ALL – triggers on ALL errors.
- HCRC – triggers on only Header CRC errors.
- FCRC – triggers on only Frame CRC errors.

**Query Syntax** :SBUS<n>:FLEXray:TRIGger:ERRor:TYPE?

The :SBUS<n>:FLEXray:TRIGger:ERRor:TYPE? query returns the currently selected FLEXray error type.

**Return Format** <error\_type><NL>

<error\_type> ::= {ALL | HCRC | FCRC}

- See Also**
- ["Introduction to :TRIGger Commands"](#) on page 911
  - [":SBUS<n>:FLEXray:TRIGger"](#) on page 703



## :SBUS<n>:FLEXray:TRIGger:EVENT:AUTOset

**N** (see [page 1172](#))

**Command Syntax** :SBUS<n>:FLEXray:TRIGger:EVENT:AUTOset

The :SBUS<n>:FLEXray:TRIGger:EVENT:AUTOset command automatically configures oscilloscope settings (as shown on the display) for the selected event trigger.

- See Also**
- ["Introduction to :TRIGger Commands"](#) on page 911
  - [":SBUS<n>:FLEXray:TRIGger:EVENT:TYPE"](#) on page 707
  - [":SBUS<n>:FLEXray:TRIGger:EVENT:BSS:ID"](#) on page 706
  - [":SBUS<n>:FLEXray:TRIGger"](#) on page 703
  - [":SBUS<n>:FLEXray:BAUDrate"](#) on page 696
  - [":TRIGger\[:EDGE\]:LEVel"](#) on page 937
  - [":SBUS<n>:FLEXray:SOURce"](#) on page 702

## :SBUS&lt;n&gt;:FLEXray:TRIGger:EVENT:BSS:ID

**N** (see [page 1172](#))

**Command Syntax** :SBUS<n>:FLEXray:TRIGger:EVENT:BSS:ID <frame\_id>

<frame\_id> ::= {ALL | <frame #>}

<frame #> ::= integer from 1-2047

The :SBUS<N>:FLEXray:TRIGger:EVENT:BSS:ID command sets the frame ID used by the Byte Start Sequence (BSS) event trigger. This setting is only valid if the trigger mode is EVENT and the EVENT:TYPE is BSS.

**Query Syntax** :SBUS<n>:FLEXray:TRIGger:EVENT:BSS:ID?

The :SBUS<n>:FLEXray:TRIGger:EVENT:BSS:ID? query returns the current frame ID setting for the Byte Start Sequence (BSS) event trigger setup.

**Return Format** <frame\_id><NL>

<frame\_id> ::= {ALL | <frame #>}

<frame #> ::= integer from 1-2047

- See Also**
- ["Introduction to :TRIGger Commands"](#) on page 911
  - [":SBUS<n>:FLEXray:TRIGger:EVENT:TYPE"](#) on page 707
  - [":SBUS<n>:FLEXray:TRIGger:EVENT:AUToset"](#) on page 705
  - [":TRIGger:MODE"](#) on page 920
  - [":SBUS<n>:FLEXray:TRIGger"](#) on page 703

## :SBUS&lt;n&gt;:FLEXray:TRIGger:EVENT:TYPE

**N** (see [page 1172](#))

**Command Syntax** :SBUS<n>:FLEXray:TRIGger:EVENT:TYPE <event>

<event> ::= {WAKEup | TSS | {FES | DTS} | BSS}

Selects the FlexRay event to trigger on. The event setting is only valid when the FlexRay trigger mode is set to EVENT.

- WAKEup – triggers on Wake-Up event.
- TSS – triggers on Transmission Start Sequence event.
- FES – triggers on either Frame End or Dynamic Trailing Sequence event.
- DTS – triggers on either Frame End or Dynamic Trailing Sequence event.
- BSS – triggers on Byte Start Sequence event.

**Query Syntax** :SBUS<n>:FLEXray:TRIGger:EVENT:TYPE?

The :SBUS<n>:FLEXray:TRIGger:EVENT:TYPE? query returns the currently selected FLEXray event.

**Return Format** <event><NL>

<event> ::= {WAK | TSS | {FES | DTS} | BSS}

- See Also**
- ["Introduction to :TRIGger Commands"](#) on page 911
  - [":SBUS<n>:FLEXray:TRIGger:EVENT:AUToset"](#) on page 705
  - [":SBUS<n>:FLEXray:TRIGger:EVENT:BSS:ID"](#) on page 706
  - [":SBUS<n>:FLEXray:TRIGger"](#) on page 703
  - [":SBUS<n>:FLEXray:AUTosetup"](#) on page 695
  - [":SBUS<n>:FLEXray:SOURce"](#) on page 702

## :SBUS&lt;n&gt;:FLEXray:TRIGger:FRAME:CCBase

**N** (see [page 1172](#))

**Command Syntax** :SBUS<n>:FLEXray:TRIGger:FRAME:CCBase <cycle\_count\_base>

<cycle\_count\_base> ::= integer from 0-63

The :SBUS<n>:FLEXray:TRIGger:FRAME:CCBase command sets the base of the FlexRay cycle count (in the frame header) to trigger on. The cycle count base setting is only valid when the FlexRay trigger mode is set to FRAME.

**Query Syntax** :SBUS<n>:FLEXray:TRIGger:FRAME:CCBase?

The :SBUS<n>:FLEXray:TRIGger:FRAME:CCBase? query returns the current cycle count base setting for the FlexRay frame trigger setup.

**Return Format** <cycle\_count\_base><NL>

<cycle\_count\_base> ::= integer from 0-63

- See Also**
- ["Introduction to :TRIGger Commands"](#) on page 911
  - [":SBUS<n>:FLEXray:TRIGger"](#) on page 703

## :SBUS&lt;n&gt;:FLEXray:TRIGger:FRAME:CCRepetition

**N** (see [page 1172](#))

**Command Syntax** :SBUS<n>:FLEXray:TRIGger:FRAME:CCRepetition <cycle\_count\_repetition>

<cycle\_count\_repetition> ::= {ALL | <rep #>}

<rep #> ::= integer values 2, 4, 8, 16, 32, or 64

The :SBUS<n>:FLEXray:TRIGger:FRAME:CCRepetition command sets the repetition number of the FlexRay cycle count (in the frame header) to trigger on. The cycle count repetition setting is only valid when the FlexRay trigger mode is set to FRAME.

**Query Syntax** :SBUS<n>:FLEXray:TRIGger:FRAME:CCRepetition?

The :SBUS<n>:FLEXray:TRIGger:FRAME:CCRepetition? query returns the current cycle count repetition setting for the FlexRay frame trigger setup.

**Return Format** <cycle\_count\_repetition><NL>

<cycle\_count\_repetition> ::= {ALL | <rep #>}

<rep #> ::= integer values 2, 4, 8, 16, 32, or 64

- See Also**
- ["Introduction to :TRIGger Commands"](#) on page 911
  - [":SBUS<n>:FLEXray:TRIGger"](#) on page 703

## :SBUS&lt;n&gt;:FLEXray:TRIGger:FRAME:ID

**N** (see [page 1172](#))

**Command Syntax** :SBUS<n>:FLEXray:TRIGger:FRAME:ID <frame\_id>

<frame\_id> ::= {ALL | <frame #>}

<frame #> ::= integer from 1-2047

The :SBUS<n>:FLEXray:TRIGger:FRAME:ID command sets the FlexRay frame ID to trigger on. The frame ID setting is only valid when the FlexRay trigger mode is set to FRAME.

**Query Syntax** :SBUS<n>:FLEXray:TRIGger:FRAME:ID?

The :SBUS<n>:FLEXray:TRIGger:FRAME:ID? query returns the current frame ID setting for the FlexRay frame trigger setup.

**Return Format** <frame\_id><NL>

<frame\_id> ::= {ALL | <frame #>}

<frame #> ::= integer from 1-2047

- See Also**
- ["Introduction to :TRIGger Commands"](#) on page 911
  - [":TRIGger:MODE"](#) on page 920
  - [":SBUS<n>:FLEXray:TRIGger"](#) on page 703

## :SBUS&lt;n&gt;:FLEXray:TRIGger:FRAME:TYPE

**N** (see [page 1172](#))

**Command Syntax** :SBUS<n>:FLEXray:TRIGger:FRAME:TYPE <frame\_type>

<frame\_type> ::= {NORMAL | STARTup | NULL | SYNC | NSTArtup | NNULL | NSYNc | ALL}

The :SBUS<n>:FLEXray:TRIGger:FRAME:TYPE command sets the FlexRay frame type to trigger on. The frame type setting is only valid when the FlexRay trigger mode is set to FRAME.

- NORMAL – will trigger on only normal (NSTArtup & NNULL & NSYNc) frames.
- STARTup – will trigger on only startup frames.
- NULL – will trigger on only null frames.
- SYNC – will trigger on only sync frames.
- NSTArtup – will trigger on frames other than startup frames.
- NNULL – will trigger on frames other than null frames.
- NSYNc – will trigger on frames other than sync frames.
- ALL – will trigger on all FlexRay frame types.

**Query Syntax** :SBUS<n>:FLEXray:TRIGger:FRAME:TYPE?

The :SBUS<n>:FLEXray:TRIGger:FRAME:TYPE? query returns the current frame type setting for the FlexRay frame trigger setup.

**Return Format** <frame\_type><NL>

<frame\_type> ::= {NORM | STAR | NULL | SYNC | NSTA | NNUL | NSYN | ALL}

- See Also**
- ["Introduction to :TRIGger Commands"](#) on page 911
  - [":TRIGger:MODE"](#) on page 920
  - [":SBUS<n>:FLEXray:TRIGger"](#) on page 703

## :SBUS&lt;n&gt;:I2S Commands

**NOTE**

These commands are only valid when the I2S serial decode option (Option SND) has been licensed.

**Table 104** :SBUS<n>:I2S Commands Summary

Command	Query	Options and Query Returns
:SBUS<n>:I2S:ALIGnment <setting> (see <a href="#">page 715</a> )	:SBUS<n>:I2S:ALIGnment? (see <a href="#">page 715</a> )	<setting> ::= {I2S   LJ   RJ}
:SBUS<n>:I2S:BASE <base> (see <a href="#">page 716</a> )	:SBUS<n>:I2S:BASE? (see <a href="#">page 716</a> )	<base> ::= {DECimal   HEX}
:SBUS<n>:I2S:CLOCK:SLOPe <slope> (see <a href="#">page 717</a> )	:SBUS<n>:I2S:CLOCK:SLOPe? (see <a href="#">page 717</a> )	<slope> ::= {NEGative   POSitive}
:SBUS<n>:I2S:RWIDth <receiver> (see <a href="#">page 718</a> )	:SBUS<n>:I2S:RWIDth? (see <a href="#">page 718</a> )	<receiver> ::= 4-32 in NR1 format
:SBUS<n>:I2S:SOURce:CLOCK <source> (see <a href="#">page 719</a> )	:SBUS<n>:I2S:SOURce:CLOCK? (see <a href="#">page 719</a> )	<source> ::= {CHANnel<n>   EXTernal} for DSO models <source> ::= {CHANnel<n>   DIGital<d> } for MSO models <n> ::= 1 to (# analog channels) in NR1 format <d> ::= 0 to (# digital channels - 1) in NR1 format
:SBUS<n>:I2S:SOURce:DATA <source> (see <a href="#">page 720</a> )	:SBUS<n>:I2S:SOURce:DATA? (see <a href="#">page 720</a> )	<source> ::= {CHANnel<n>   EXTernal} for DSO models <source> ::= {CHANnel<n>   DIGital<d> } for MSO models <n> ::= 1 to (# analog channels) in NR1 format <d> ::= 0 to (# digital channels - 1) in NR1 format



**Table 104** :SBUS<n>:I2S Commands Summary (continued)

Command	Query	Options and Query Returns
:SBUS<n>:I2S:SOURce:WSElect <source> (see <a href="#">page 721</a> )	:SBUS<n>:I2S:SOURce:WSElect? (see <a href="#">page 721</a> )	<source> ::= {CHANnel<n>   EXTErnal} for DSO models <source> ::= {CHANnel<n>   DIGital<d>} for MSO models <n> ::= 1 to (# analog channels) in NR1 format <d> ::= 0 to (# digital channels - 1) in NR1 format
:SBUS<n>:I2S:TRIGger<operator> (see <a href="#">page 722</a> )	:SBUS<n>:I2S:TRIGger? (see <a href="#">page 722</a> )	<operator> ::= {EQUal   NOTequal   LESSthan   GREATERthan   INRange   OUTRange   INCRasing   DECRasing}
:SBUS<n>:I2S:TRIGger:AUDio <audio_ch> (see <a href="#">page 724</a> )	:SBUS<n>:I2S:TRIGger:AUDio? (see <a href="#">page 724</a> )	<audio_ch> ::= {RIGHT   LEFT   EITHer}
:SBUS<n>:I2S:TRIGger:PATtern:DATA <string> (see <a href="#">page 725</a> )	:SBUS<n>:I2S:TRIGger:PATtern:DATA? (see <a href="#">page 726</a> )	<string> ::= "n" where n ::= 32-bit integer in signed decimal when <base> = DECimal <string> ::= "nn...n" where n ::= {0   1   X   \$} when <base> = BINary <string> ::= "0xnn...n" where n ::= {0,...,9   A,...,F   X   \$} when <base> = HEX
:SBUS<n>:I2S:TRIGger:PATtern:FORMat <base> (see <a href="#">page 727</a> )	:SBUS<n>:I2S:TRIGger:PATtern:FORMat? (see <a href="#">page 727</a> )	<base> ::= {BINary   HEX   DECimal}
:SBUS<n>:I2S:TRIGger:RANGe <lower>, <upper> (see <a href="#">page 728</a> )	:SBUS<n>:I2S:TRIGger:RANGe? (see <a href="#">page 728</a> )	<lower> ::= 32-bit integer in signed decimal, <nondecimal>, or <string> <upper> ::= 32-bit integer in signed decimal, <nondecimal>, or <string> <nondecimal> ::= #Hnn...n where n ::= {0,...,9   A,...,F} for hexadecimal <nondecimal> ::= #Bnn...n where n ::= {0   1} for binary <string> ::= "0xnn...n" where n ::= {0,...,9   A,...,F} for hexadecimal

**Table 104** :SBUS<n>:I2S Commands Summary (continued)

Command	Query	Options and Query Returns
:SBUS<n>:I2S:TWIDth <word_size> (see page 730)	:SBUS<n>:I2S:TWIDth? (see page 730)	<word_size> ::= 4-32 in NR1 format
:SBUS<n>:I2S:WSLow <low_def> (see page 731)	:SBUS<n>:I2S:WSLow? (see page 731)	<low_def> ::= {LEFT   RIGHT}

## :SBUS&lt;n&gt;:I2S:ALIGNment

**N** (see [page 1172](#))

**Command Syntax** :SBUS<n>:I2S:ALIGNment <setting>

<setting> ::= { I2S | LJ | RJ }

The :SBUS<n>:I2S:ALIGNment command selects the data alignment of the I2S bus for the serial decoder and/or trigger when in I2S mode:

- I2S – standard.
- LJ – left justified.
- RJ – right justified.

Note that the word select (WS) polarity is specified separately with the :SBUS<n>:I2S:WSLow command.

**Query Syntax** :SBUS<n>:I2S:ALIGNment?

The :SBUS<n>:I2S:ALIGNment? query returns the currently selected I2S data alignment.

**Return Format** <setting><NL>

<setting> ::= { I2S | LJ | RJ }

- See Also**
- ["Introduction to :TRIGger Commands"](#) on page 911
  - [":SBUS<n>:I2S:CLOCK:SLOPe"](#) on page 717
  - [":SBUS<n>:I2S:RWIDth"](#) on page 718
  - [":SBUS<n>:I2S:TWIDth"](#) on page 730
  - [":SBUS<n>:I2S:WSLow"](#) on page 731

**:SBUS<n>:I2S:BASE**

**N** (see [page 1172](#))

**Command Syntax** :SBUS<n>:I2S:BASE <base>

<base> ::= {DECimal | HEX}

The :SBUS<n>:I2S:BASE command determines the base to use for the I2S decode display.

**Query Syntax** :SBUS<n>:I2S:BASE?

The :SBUS<n>:I2S:BASE? query returns the current I2S display decode base.

**Return Format** <base><NL>

<base> ::= {DECimal | HEX}

**Errors** • ["-241, Hardware missing"](#) on page 1133

**See Also** • ["Introduction to :SBUS<n> Commands"](#) on page 653

• [":SBUS<n>:I2S Commands"](#) on page 712

## :SBUS&lt;n&gt;:I2S:CLOCK:SLOPe

**N** (see [page 1172](#))

**Command Syntax** :SBUS<n>:I2S:CLOCK:SLOPe <slope>

<slope> ::= {NEGative | POSitive}

The :SBUS<n>:I2S:CLOCK:SLOPe command specifies which edge of the I2S serial clock signal clocks in data.

- NEGative – Falling edge.
- POSitive – Rising edge.

**Query Syntax** :SBUS<n>:I2S:CLOCK:SLOPe?

The :SBUS<n>:I2S:CLOCK:SLOPe? query returns the current I2S clock slope setting.

**Return Format** <slope><NL>

<slope> ::= {NEG | POS}

- See Also**
- ["Introduction to :TRIGger Commands"](#) on page 911
  - [":SBUS<n>:I2S:ALIGNment"](#) on page 715
  - [":SBUS<n>:I2S:RWIDth"](#) on page 718
  - [":SBUS<n>:I2S:TWIDth"](#) on page 730
  - [":SBUS<n>:I2S:WSLow"](#) on page 731

## :SBUS&lt;n&gt;:I2S:RWIDth

**N** (see [page 1172](#))

**Command Syntax** :SBUS<n>:I2S:RWIDth <receiver>

<receiver> ::= 4-32 in NR1 format

The :SBUS<n>:I2S:RWIDth command sets the width of the receiver (decoded) data word in I2S anywhere from 4 bits to 32 bits.

**Query Syntax** :SBUS<n>:I2S:RWIDth?

The :SBUS<n>:I2S:RWIDth? query returns the currently set I2S receiver data word width.

**Return Format** <receiver><NL>

<receiver> ::= 4-32 in NR1 format

- See Also**
- ["Introduction to :TRIGger Commands"](#) on page 911
  - [":SBUS<n>:I2S:ALIGNment"](#) on page 715
  - [":SBUS<n>:I2S:CLOCK:SLOPe"](#) on page 717
  - [":SBUS<n>:I2S:TWIDth"](#) on page 730
  - [":SBUS<n>:I2S:WSLow"](#) on page 731

## :SBUS&lt;n&gt;:I2S:SOURce:CLOCK

**N** (see [page 1172](#))

**Command Syntax** :SBUS<n>:I2S:SOURce:CLOCK <source>

<source> ::= {CHANnel<n> | EXTernal} for the DSO models

<source> ::= {CHANnel<n> | DIGital<d>} for the MSO models

<n> ::= 1 to (# analog channels) in NR1 format

<d> ::= 0 to (# digital channels - 1) in NR1 format

The :SBUS<n>:I2S:SOURce:CLOCK controls which signal is used as the serial clock (SCLK) source by the serial decoder and/or trigger when in I2S mode.

**Query Syntax** :SBUS<n>:I2S:SOURce:CLOCK?

The :SBUS<n>:I2S:SOURce:CLOCK? query returns the current source for the I2S serial clock (SCLK).

**Return Format** <source><NL>

- See Also**
- ["Introduction to :TRIGger Commands"](#) on page 911
  - [":SBUS<n>:I2S:SOURce:DATA"](#) on page 720
  - [":SBUS<n>:I2S:SOURce:WSElect"](#) on page 721

**:SBUS<n>:I2S:SOURce:DATA**

**N** (see [page 1172](#))

**Command Syntax** :SBUS<n>:I2S:SOURce:DATA <source>

<source> ::= {CHANnel<n> | EXTernal} for the DSO models

<source> ::= {CHANnel<n> | DIGital<d>} for the MSO models

<n> ::= 1 to (# analog channels) in NR1 format

<d> ::= 0 to (# digital channels - 1) in NR1 format

The :SBUS<n>:I2S:SOURce:DATA command controls which signal is used as the serial data (SDATA) source by the serial decoder and/or trigger when in I2S mode.

**Query Syntax** :SBUS<n>:I2S:SOURce:DATA?

The :SBUS<n>:I2S:SOURce:DATA? query returns the current source for the I2S serial data (SDATA).

**Return Format** <source><NL>

- See Also**
- ["Introduction to :TRIGger Commands"](#) on page 911
  - [":SBUS<n>:I2S:SOURce:CLOCK"](#) on page 719
  - [":SBUS<n>:I2S:SOURce:WSElect"](#) on page 721



## :SBUS&lt;n&gt;:I2S:SOURce:WSElect

**N** (see [page 1172](#))

**Command Syntax** :SBUS<n>:I2S:SOURce:WSElect <source>

<source> ::= {CHANnel<n> | EXTernal} for the DSO models

<source> ::= {CHANnel<n> | DIGital<d>} for the MSO models

<n> ::= 1 to (# analog channels) in NR1 format

<d> ::= 0 to (# digital channels - 1) in NR1 format

The :SBUS<n>:I2S:SOURce:WSElect command controls which signal is used as the word select (WS) source by the serial decoder and/or trigger when in I2S mode.

**Query Syntax** :SBUS<n>:I2S:SOURce:WSElect?

The :SBUS<n>:I2S:SOURce:WSElect? query returns the current source for I2S word select (WS).

**Return Format** <source><NL>

- See Also**
- ["Introduction to :TRIGger Commands"](#) on page 911
  - [":SBUS<n>:I2S:SOURce:CLOCK"](#) on page 719
  - [":SBUS<n>:I2S:SOURce:DATA"](#) on page 720

## :SBUS&lt;n&gt;:I2S:TRIGger

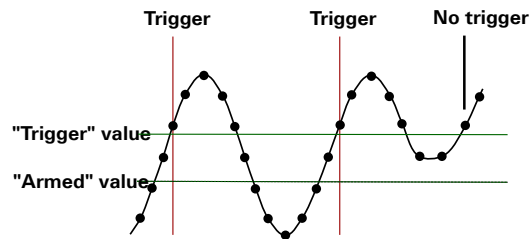
**N** (see [page 1172](#))

**Command Syntax** :SBUS<n>:I2S:TRIGger <operator>

<operator> ::= {EQUal | NOTequal | LESSthan | GREaterthan | INRange  
| OUTRange | INCReasing | DECReasing}

The :SBUS<n>:I2S:TRIGger command sets the I2S trigger operator:

- EQUal – triggers on the specified audio channel's data word when it equals the specified word.
- NOTequal – triggers on any word other than the specified word.
- LESSthan – triggers when the channel's data word is less than the specified value.
- GREaterthan – triggers when the channel's data word is greater than the specified value.
- INRange – enter upper and lower values to specify the range in which to trigger.
- OUTRange – enter upper and lower values to specify range in which trigger will not occur.
- INCReasing – triggers when the data value makes a certain increase over time and the specified value is met or exceeded. Use the :SBUS<n>:I2S:TRIGger:RANGe command to set "Trigger" and "Armed" values. The "Trigger" value is the value that must be met or exceeded to cause the trigger. The "Armed" value is the value the data must go below in order to re-arm the oscilloscope (ready it to trigger again).



- DECReasing – similar to INCReasing except the trigger occurs on a certain decrease over time and the "Trigger" data value is less than the "Armed" data value.

**Query Syntax** :SBUS<n>:I2S:TRIGger?

The :SBUS<n>:I2S:TRIGger? query returns the current I2S trigger operator.

**Return Format** <operator><NL>

<operator> ::= {EQU | NOT | LESS | GRE | INR | OUTR | INCR | DECR}

- See Also
- [":SBUS<n>:TRIGger:COMMANDS"](#) on page 911
  - [":SBUS<n>:I2S:TRIGger:AUDio"](#) on page 724
  - [":SBUS<n>:I2S:TRIGger:RANGe"](#) on page 728
  - [":SBUS<n>:I2S:TRIGger:PATtern:FORMat"](#) on page 727

## :SBUS&lt;n&gt;:I2S:TRIGger:AUDio

**N** (see [page 1172](#))

**Command Syntax** :SBUS<n>:I2S:TRIGger:AUDio <audio\_ch>

<audio\_ch> ::= {RIGHT | LEFT | EITHER}

The :SBUS<n>:I2S:TRIGger:AUDio command specifies the audio channel to trigger on:

- RIGHT – right channel.
- LEFT – left channel.
- EITHER – right or left channel.

**Query Syntax** :SBUS<n>:I2S:TRIGger:AUDio?

The :SBUS<n>:I2S:TRIGger:AUDio? query returns the current audio channel for the I2S trigger.

**Return Format** <audio\_ch><NL>

<audio\_ch> ::= {RIGH | LEFT | EITH}

- See Also**
- ["Introduction to :TRIGger Commands"](#) on page 911
  - [":SBUS<n>:I2S:TRIGger"](#) on page 722

## :SBUS&lt;n&gt;:I2S:TRIGger:PATtern:DATA

**N** (see [page 1172](#))

**Command Syntax** :SBUS<n>:I2S:TRIGger:PATtern:DATA <string>

<string> ::= "n" where n ::= 32-bit integer in signed decimal when  
<base> = DECimal

<string> ::= "nn...n" where n ::= {0 | 1 | X | \$} when  
<base> = BINary

<string> ::= "0xnn...n" where n ::= {0,...,9 | A,...,F | X | \$} when  
<base> = HEX

**NOTE**

<base> is specified with the :SBUS<n>:I2S:TRIGger:PATtern:FORMat command. The default <base> is DECimal.

The :SBUS<n>:I2S:TRIGger:PATtern:DATA command specifies the I2S trigger data pattern searched for in each I2S message.

Set a <string> bit to "0" or "1" to set the corresponding bit in the data pattern to low or high, respectively.

Set a <string> bit to "X" to ignore (mask off) that bit in the data pattern.

Use the "\$" character to indicate that the value of the corresponding bit will not be changed (the existing bit value is used).

When <base> = DECimal, the "X" and "\$" characters cannot be entered. When queried, the "\$" character is returned when any bits in the pattern have the value of "X" and <base> = DECimal. When any bits in a given nibble have the value of "X" and <base> = HEX, the "\$" character is returned for the corresponding nibble.

**NOTE**

The :SBUS<n>:I2S:TRIGger:PATtern:DATA command specifies the I2S trigger data pattern used by the EQUal, NOTequal, GREaterthan, and LESSthan trigger conditions. If the GREaterthan or LESSthan trigger condition is selected, the bits specified to be masked off ("X") will be interpreted as 0's.

**NOTE**

The length of the trigger data value is determined by the :SBUS<n>:I2S:RWIDth and :SBUS<n>:I2S:TWIDth commands. When the receiver word size is less than the transmitter word size, the data length is equal to the receiver word size. When the receiver word size is greater than the transmitter word size, the data length is equal to the transmitter word size.

**NOTE**

If more bits are sent for <string> than the specified trigger data length, the most significant bits will be truncated. If the word size is changed after the <string> is programmed, the added or deleted bits will be added to or deleted from the least significant bits.

**Query Syntax** :SBUS<n>:I2S:TRIGger:PATtern:DATA?

The :SBUS<n>:I2S:TRIGger:PATtern:DATA? query returns the currently specified I2S trigger data pattern.

**Return Format** <string><NL>

- See Also**
- ["Introduction to :TRIGger Commands"](#) on page 911
  - [":SBUS<n>:I2S:TRIGger:PATtern:FORMat"](#) on page 727
  - [":SBUS<n>:I2S:TRIGger"](#) on page 722
  - [":SBUS<n>:I2S:RWIDth"](#) on page 718
  - [":SBUS<n>:I2S:TWIDth"](#) on page 730
  - [":SBUS<n>:I2S:TRIGger:AUDio"](#) on page 724

## :SBUS&lt;n&gt;:I2S:TRIGger:PATtern:FORMat

**N** (see [page 1172](#))

**Command Syntax** :SBUS<n>:I2S:TRIGger:PATtern:FORMat <base>

<base> ::= {BINary | HEX | DECimal}

The :SBUS<n>:I2S:TRIGger:PATtern:FORMat command sets the entry (and query) number base used by the :SBUS<n>:I2S:TRIGger:PATtern:DATA command. The default <base> is DECimal.

**Query Syntax** :SBUS<n>:I2S:TRIGger:PATtern:FORMat?

The :SBUS<n>:I2S:TRIGger:PATtern:FORMat? query returns the currently set number base for I2S pattern data.

**Return Format** <base><NL>

<base> ::= {BIN | HEX | DEC}

- See Also**
- ["Introduction to :TRIGger Commands"](#) on page 911
  - [":SBUS<n>:I2S:TRIGger:AUDio"](#) on page 724
  - [":SBUS<n>:I2S:TRIGger"](#) on page 722

**:SBUS<n>:I2S:TRIGger:RANGe**

**N** (see [page 1172](#))

**Command Syntax** :SBUS<n>:I2S:TRIGger:RANGe <lower>,<upper>

<lower> ::= 32-bit integer in signed decimal, <nondecimal>  
or <string>

<upper> ::= 32-bit integer in signed decimal, <nondecimal>,  
or <string>

<nondecimal> ::= #Hnn...n where n ::= {0,...,9 | A,...,F}  
for hexadecimal

<nondecimal> ::= #Bnn...n where n ::= {0 | 1} for binary

<string> ::= "0xnn...n" where n ::= {0,...,9 | A,...,F} for hexadecimal

The :SBUS<n>:I2S:TRIGger:RANGe command sets the lower and upper range boundaries used by the INRange, OUTRange, INCReasing, and DECReasing trigger conditions. You can enter the parameters in any order – the smaller value becomes the <lower> and the larger value becomes the <upper>.

Note that for INCReasing and DECReasing, the <lower> and <upper> values correspond to the "Armed" and "Trigger" softkeys.

**NOTE**

The length of the <lower> and <upper> values is determined by the :SBUS<n>:I2S:RWIDth and :SBUS<n>:I2S:TWIDth commands. When the receiver word size is less than the transmitter word size, the length is equal to the receiver word size. When the receiver word size is greater than the transmitter word size, the length is equal to the transmitter word size.

**Query Syntax** :SBUS<n>:I2S:TRIGger:RANGe?

The :SBUS<n>:I2S:TRIGger:RANGe? query returns the currently set lower and upper range boundaries.

**Return Format** <lower>,<upper><NL>

<lower> ::= 32-bit integer in signed decimal, <nondecimal>  
or <string>

<upper> ::= 32-bit integer in signed decimal, <nondecimal>,  
or <string>

<nondecimal> ::= #Hnn...n where n ::= {0,...,9 | A,...,F}  
for hexadecimal

<nondecimal> ::= #Bnn...n where n ::= {0 | 1} for binary

<string> ::= "0xnn...n" where n ::= {0,...,9 | A,...,F} for hexadecimal

- See Also**
- ["Introduction to :TRIGger Commands"](#) on page 911
  - [":SBUS<n>:I2S:TRIGger"](#) on page 722



- `":SBUS<n>:I2S:RWIDth"` on page 718
- `":SBUS<n>:I2S:TWIDth"` on page 730
- `":SBUS<n>:I2S:WSLow"` on page 731

## :SBUS&lt;n&gt;:I2S:TWIDth

**N** (see [page 1172](#))

**Command Syntax** :SBUS<n>:I2S:TWIDth <word\_size>

<word\_size> ::= 4-32 in NR1 format

The :SBUS<n>:I2S:TWIDth command sets the width of the transmitted data word in I2S anywhere from 4 bits to 32 bits.

**Query Syntax** :SBUS<n>:I2S:TWIDth?

The :SBUS<n>:I2S:TWIDth? query returns the currently set I2S transmitted data word width.

**Return Format** <word\_size><NL>

<word\_size> ::= 4-32 in NR1 format

- See Also**
- ["Introduction to :TRIGger Commands"](#) on page 911
  - [":SBUS<n>:I2S:ALIGNment"](#) on page 715
  - [":SBUS<n>:I2S:CLOCK:SLOPe"](#) on page 717
  - [":SBUS<n>:I2S:RWIDth"](#) on page 718
  - [":SBUS<n>:I2S:WSLow"](#) on page 731

## :SBUS&lt;n&gt;:I2S:WSLow

**N** (see [page 1172](#))

**Command Syntax** :SBUS<n>:I2S:WSLow <low\_def>

<low\_def> ::= {LEFT | RIGHT}

The :SBUS<n>:I2S:WSLow command selects the polarity of the word select (WS) signal:

- LEFT— a word select (WS) state of low indicates left channel data is active on the I2S bus, and a WS state of high indicates right channel data is active on the bus.
- RIGHT — a word select (WS) state of low indicates right channel data is active on the I2S bus, and a WS state of high indicates left channel data is active on the bus.

**Query Syntax** :SBUS<n>:I2S:WSLow?

The :SBUS<n>:I2S:WSLow? query returns the currently selected I2S word select (WS) polarity.

**Return Format** <low\_def><NL>

<low\_def> ::= {LEFT | RIGHT}

- See Also**
- ["Introduction to :TRIGger Commands"](#) on page 911
  - [":SBUS<n>:I2S:ALIGNment"](#) on page 715
  - [":SBUS<n>:I2S:CLOCK:SLOPe"](#) on page 717
  - [":SBUS<n>:I2S:RWIDth"](#) on page 718
  - [":SBUS<n>:I2S:TWIDth"](#) on page 730

## :SBUS&lt;n&gt;:IIC Commands

**NOTE**

These commands are only valid when the low-speed IIC and SPI serial decode option (Option LSS) has been licensed.

**Table 105** :SBUS<n>:IIC Commands Summary

Command	Query	Options and Query Returns
:SBUS<n>:IIC:ASIZE <size> (see <a href="#">page 734</a> )	:SBUS<n>:IIC:ASIZE? (see <a href="#">page 734</a> )	<size> ::= {BIT7   BIT8}
:SBUS<n>:IIC[:SOURce] :CLOCK <source> (see <a href="#">page 735</a> )	:SBUS<n>:IIC[:SOURce] :CLOCK? (see <a href="#">page 735</a> )	<source> ::= {CHANnel<n>   EXTernal} for DSO models <source> ::= {CHANnel<n>   DIGital<d> } for MSO models <n> ::= 1 to (# analog channels) in NR1 format <d> ::= 0 to (# digital channels - 1) in NR1 format
:SBUS<n>:IIC[:SOURce] :DATA <source> (see <a href="#">page 736</a> )	:SBUS<n>:IIC[:SOURce] :DATA? (see <a href="#">page 736</a> )	<source> ::= {CHANnel<n>   EXTernal} for DSO models <source> ::= {CHANnel<n>   DIGital<d> } for MSO models <n> ::= 1 to (# analog channels) in NR1 format <d> ::= 0 to (# digital channels - 1) in NR1 format
:SBUS<n>:IIC:TRIGger: PATTern:ADDRESS <value> (see <a href="#">page 737</a> )	:SBUS<n>:IIC:TRIGger: PATTern:ADDRESS? (see <a href="#">page 737</a> )	<value> ::= integer or <string> <string> ::= "0xnn" n ::= {0,...,9   A,...,F}
:SBUS<n>:IIC:TRIGger: PATTern:DATA <value> (see <a href="#">page 738</a> )	:SBUS<n>:IIC:TRIGger: PATTern:DATA? (see <a href="#">page 738</a> )	<value> ::= integer or <string> <string> ::= "0xnn" n ::= {0,...,9   A,...,F}
:SBUS<n>:IIC:TRIGger: PATTern:DATA2 <value> (see <a href="#">page 739</a> )	:SBUS<n>:IIC:TRIGger: PATTern:DATA2? (see <a href="#">page 739</a> )	<value> ::= integer or <string> <string> ::= "0xnn" n ::= {0,...,9   A,...,F}

**Table 105** :SBUS<n>:IIC Commands Summary (continued)

Command	Query	Options and Query Returns
:SBUS<n>:IIC:TRIGger:QUALifier <value> (see <a href="#">page 740</a> )	:SBUS<n>:IIC:TRIGger:QUALifier? (see <a href="#">page 740</a> )	<value> ::= {EQUAL   NOTequal   LESSthan   GREATERthan}
:SBUS<n>:IIC:TRIGger[:TYPE] <type> (see <a href="#">page 741</a> )	:SBUS<n>:IIC:TRIGger[:TYPE]? (see <a href="#">page 741</a> )	<type> ::= {START   STOP   READ7   READEprom   WRITe7   WRITe10   NACKnowledge   ANACK   R7Data2   W7Data2   REStart}

## :SBUS&lt;n&gt;:IIC:ASIZe

**N** (see [page 1172](#))

**Command Syntax** :SBUS<n>:IIC:ASIZe <size>

<size> ::= {BIT7 | BIT8}

The :SBUS<n>:IIC:ASIZe command determines whether the Read/Write bit is included as the LSB in the display of the IIC address field of the decode bus.

**Query Syntax** :SBUS<n>:IIC:ASIZe?

The :SBUS<n>:IIC:ASIZe? query returns the current IIC address width setting.

**Return Format** <mode><NL>

<mode> ::= {BIT7 | BIT8}

**Errors** • ["-241, Hardware missing"](#) on page 1133

**See Also** • ["Introduction to :SBUS<n> Commands"](#) on page 653

• [":SBUS<n>:IIC Commands"](#) on page 732

## :SBUS&lt;n&gt;:IIC[:SOURce]:CLOCK

**N** (see [page 1172](#))

**Command Syntax** :SBUS<n>:IIC:[SOURce:]CLOCK <source>

<source> ::= {CHANnel<n> | EXTernal} for the DSO models

<source> ::= {CHANnel<n> | DIGital<d>} for the MSO models

<n> ::= 1 to (# analog channels) in NR1 format

<d> ::= 0 to (# digital channels - 1) in NR1 format

The :SBUS<n>:IIC[:SOURce:]CLOCK command sets the source for the IIC serial clock (SCL).

**Query Syntax** :SBUS<n>:IIC:[SOURce:]CLOCK?

The :SBUS<n>:IIC[:SOURce:]CLOCK? query returns the current source for the IIC serial clock.

**Return Format** <source><NL>

- See Also**
- ["Introduction to :TRIGger Commands"](#) on page 911
  - [":SBUS<n>:IIC\[:SOURce\]:DATA"](#) on page 736

## :SBUS&lt;n&gt;:IIC[:SOURce]:DATA

**N** (see [page 1172](#))

**Command Syntax** :SBUS<n>:IIC:[SOURce:]DATA <source>

<source> ::= {CHANnel<n> | EXTernal} for the DSO models

<source> ::= {CHANnel<n> | DIGital<d>} for the MSO models

<n> ::= 1 to (# analog channels) in NR1 format

<d> ::= 0 to (# digital channels - 1) in NR1 format

The :SBUS<n>:IIC:[SOURce:]DATA command sets the source for IIC serial data (SDA).

**Query Syntax** :SBUS<n>:IIC:[SOURce:]DATA?

The :SBUS<n>:IIC:[SOURce:]DATA? query returns the current source for IIC serial data.

**Return Format** <source><NL>

- See Also**
- ["Introduction to :TRIGger Commands"](#) on page 911
  - [":SBUS<n>:IIC\[:SOURce\]:CLOCK"](#) on page 735



## :SBUS&lt;n&gt;:IIC:TRIGger:PATtern:ADDress

**N** (see [page 1172](#))

**Command Syntax** :SBUS<n>:IIC:TRIGger:PATtern:ADDress <value>

<value> ::= integer or <string>

<string> ::= "0xnn" where n ::= {0,...,9 | A,...,F}

The :SBUS<n>:IIC:TRIGger:PATtern:ADDress command sets the address for IIC data. The address can range from 0x00 to 0x7F (7-bit) or 0x3FF (10-bit) hexadecimal. Use the don't care address (-1 or 0xFFFFFFFF) to ignore the address value.

**Query Syntax** :SBUS<n>:IIC:TRIGger:PATtern:ADDress?

The :SBUS<n>:IIC:TRIGger:PATtern:ADDress? query returns the current address for IIC data.

**Return Format** <value><NL>

<value> ::= integer

- See Also**
- ["Introduction to :TRIGger Commands"](#) on page 911
  - [":SBUS<n>:IIC:TRIGger:PATtern:DATA"](#) on page 738
  - [":SBUS<n>:IIC:TRIGger:PATtern:DATA2"](#) on page 739
  - [":SBUS<n>:IIC:TRIGger\[:TYPE\]"](#) on page 741

## :SBUS&lt;n&gt;:IIC:TRIGger:PATtern:DATA

**N** (see [page 1172](#))

**Command Syntax** :SBUS<n>:IIC:TRIGger:PATtern:DATA <value>

<value> ::= integer or <string>

<string> ::= "0xnn" where n ::= {0,...,9 | A,...,F}

The :SBUS<n>:IIC:TRIGger:PATtern:DATA command sets IIC data. The data value can range from 0x00 to 0xFF (hexadecimal). Use the don't care data pattern (-1 or 0xFFFFFFFF) to ignore the data value.

**Query Syntax** :SBUS<n>:IIC:TRIGger:PATtern:DATA?

The :SBUS<n>:IIC:TRIGger:PATtern:DATA? query returns the current pattern for IIC data.

**Return Format** <value><NL>

- See Also**
- ["Introduction to :TRIGger Commands"](#) on page 911
  - [":SBUS<n>:IIC:TRIGger:PATtern:ADDRess"](#) on page 737
  - [":SBUS<n>:IIC:TRIGger:PATtern:DATA2"](#) on page 739
  - [":SBUS<n>:IIC:TRIGger\[:TYPE\]"](#) on page 741

## :SBUS&lt;n&gt;:IIC:TRIGger:PATtern:DATA2

**N** (see [page 1172](#))

**Command Syntax** :SBUS<n>:IIC:TRIGger:PATtern:DATA2 <value>

<value> ::= integer or <string>

<string> ::= "0xnn" where n ::= {0,...,9 | A,...,F}

The :SBUS<n>:IIC:TRIGger:PATtern:DATA2 command sets IIC data 2. The data value can range from 0x00 to 0xFF (hexadecimal). Use the don't care data pattern (-1 or 0xFFFFFFFF) to ignore the data value.

**Query Syntax** :SBUS<n>:IIC:TRIGger:PATtern:DATA2?

The :SBUS<n>:IIC:TRIGger:PATtern:DATA2? query returns the current pattern for IIC data 2.

**Return Format** <value><NL>

- See Also**
- ["Introduction to :TRIGger Commands"](#) on page 911
  - [":SBUS<n>:IIC:TRIGger:PATtern:ADDRes"](#) on page 737
  - [":SBUS<n>:IIC:TRIGger:PATtern:DATA"](#) on page 738
  - [":SBUS<n>:IIC:TRIGger\[:TYPE\]"](#) on page 741

## :SBUS&lt;n&gt;:IIC:TRIGger:QUALifier

**N** (see [page 1172](#))

**Command Syntax** :SBUS<n>:IIC:TRIGger:QUALifier <value>

<value> ::= {EQUAL | NOTequal | LESSthan | GREATERthan}

The :SBUS<n>:IIC:TRIGger:QUALifier command sets the IIC data qualifier when TRIGger:IIC:TRIGger[:TYPE] is set to READEprom.

**Query Syntax** :SBUS<n>:IIC:TRIGger:QUALifier?

The :SBUS<n>:IIC:TRIGger:QUALifier? query returns the current IIC data qualifier value.

**Return Format** <value><NL>

<value> ::= {EQUAL | NOTequal | LESSthan | GREATERthan}

- See Also**
- ["Introduction to :TRIGger Commands"](#) on page 911
  - [":TRIGger:MODE"](#) on page 920
  - [":SBUS<n>:IIC:TRIGger\[:TYPE\]"](#) on page 741

## :SBUS&lt;n&gt;:IIC:TRIGger[:TYPE]

**N** (see [page 1172](#))

**Command Syntax** :SBUS<n>:IIC:TRIGger[:TYPE] <value>

<value> ::= {START | STOP | READ7 | READEprom | WRITe7 | WRITe10  
| NACKnowledge | ANACK | R7Data2 | W7Data2 | REStart}

The :SBUS<n>:IIC:TRIGger[:TYPE] command sets the IIC trigger type:

- START – Start condition.
- STOP – Stop condition.
- READ7 – 7-bit address frame containing (Start:Address7:Read:Ack:Data). The value READ is also accepted for READ7.
- R7Data2 – 7-bit address frame containing (Start:Address7:Read:Ack:Data:Ack:Data2).
- READEprom – EEPROM data read.
- WRITe7 – 7-bit address frame containing (Start:Address7:Write:Ack:Data). The value WRITe is also accepted for WRITe7.
- W7Data2 – 7-bit address frame containing (Start:Address7:Write:Ack:Data:Ack:Data2).
- WRITe10 – 10-bit address frame containing (Start:Address byte1:Write:Ack:Address byte 2:Data).
- NACKnowledge – Missing acknowledge.
- ANACK – Address with no acknowledge.
- REStart – Another start condition occurs before a stop condition.

**NOTE**

The short form of READ7 (READ7), READEprom (READE), WRITe7 (WRIT7), and WRITe10 (WRIT10) do not follow the defined Long Form to Short Form Truncation Rules (see [page 1174](#)).

**Query Syntax** :SBUS<n>:IIC:TRIGger[:TYPE] ?

The :SBUS<n>:IIC:TRIGger[:TYPE]? query returns the current IIC trigger type value.

**Return Format** <value><NL>

<value> ::= {STAR | STOP | READ7 | READE | WRIT7 | WRIT10 | NACK | ANAC  
| R7D2 | W7D2 | REST}

- See Also**
- ["Introduction to :TRIGger Commands"](#) on page 911
  - [":TRIGger:MODE"](#) on page 920
  - [":SBUS<n>:IIC:TRIGger:PATtern:ADDRess"](#) on page 737
  - [":SBUS<n>:IIC:TRIGger:PATtern:DATA"](#) on page 738

- [":SBUS<n>:IIC:TRIGger:PATtern:DATa2"](#) on page 739
- [":SBUS<n>:IIC:TRIGger:QUALifier"](#) on page 740
- ["Long Form to Short Form Truncation Rules"](#) on page 1174

## :SBUS&lt;n&gt;:LIN Commands

**NOTE**

These commands are valid when the automotive CAN and LIN serial decode option (Option AMS) has been licensed.

**Table 106** :SBUS<n>:LIN Commands Summary

Command	Query	Options and Query Returns
:SBUS<n>:LIN:PARity {0   OFF}   {1   ON} (see page 745)	:SBUS<n>:LIN:PARity? (see page 745)	{0   1}
:SBUS<n>:LIN:SAMplepo int <value> (see page 746)	:SBUS<n>:LIN:SAMplepo int? (see page 746)	<value> ::= {60   62.5   68   70   75   80   87.5} in NR3 format
:SBUS<n>:LIN:SIGNAL:B AUDrate <baudrate> (see page 747)	:SBUS<n>:LIN:SIGNAL:B AUDrate? (see page 747)	<baudrate> ::= integer from 2400 to 625000 in 100 b/s increments
:SBUS<n>:LIN:SOURce <source> (see page 748)	:SBUS<n>:LIN:SOURce? (see page 748)	<source> ::= {CHANnel<n>   EXTernal} for DSO models  <source> ::= {CHANnel<n>   DIGital<d>} for MSO models  <n> ::= 1 to (# analog channels) in NR1 format  <d> ::= 0 to (# digital channels - 1) in NR1 format
:SBUS<n>:LIN:STANdard <std> (see page 749)	:SBUS<n>:LIN:STANdard ? (see page 749)	<std> ::= {LIN13   LIN20}
:SBUS<n>:LIN:SYNCbrea k <value> (see page 750)	:SBUS<n>:LIN:SYNCbrea k? (see page 750)	<value> ::= integer = {11   12   13}
:SBUS<n>:LIN:TRIGger <condition> (see page 751)	:SBUS<n>:LIN:TRIGger? (see page 751)	<condition> ::= {SYNCbreak   ID   DATA}
:SBUS<n>:LIN:TRIGger: ID <value> (see page 752)	:SBUS<n>:LIN:TRIGger: ID? (see page 752)	<value> ::= 7-bit integer in decimal, <nondecimal>, or <string> from 0-63 or 0x00-0x3f  <nondecimal> ::= #Hnn where n ::= {0,...,9   A,...,F} for hexadecimal  <nondecimal> ::= #Bnn...n where n ::= {0   1} for binary  <string> ::= "0xnn" where n ::= {0,...,9   A,...,F} for hexadecimal

**Table 106** :SBUS<n>:LIN Commands Summary (continued)

Command	Query	Options and Query Returns
:SBUS<n>:LIN:TRIGger: PATtern:DATA <string> (see <a href="#">page 753</a> )	:SBUS<n>:LIN:TRIGger: PATtern:DATA? (see <a href="#">page 753</a> )	<string> ::= "n" where n ::= 32-bit integer in unsigned decimal when <base> = DECimal  <string> ::= "nn...n" where n ::= {0   1   X   \$} when <base> = BINary  <string> ::= "0xnn...n" where n ::= {0,...,9   A,...,F   X   \$} when <base> = HEX
:SBUS<n>:LIN:TRIGger: PATtern:DATA:LENGth <length> (see <a href="#">page 755</a> )	:SBUS<n>:LIN:TRIGger: PATtern:DATA:LENGth? (see <a href="#">page 755</a> )	<length> ::= integer from 1 to 8 in NR1 format
:SBUS<n>:LIN:TRIGger: PATtern:FORMat <base> (see <a href="#">page 756</a> )	:SBUS<n>:LIN:TRIGger: PATtern:FORMat? (see <a href="#">page 756</a> )	<base> ::= {BINary   HEX   DECimal}



## :SBUS&lt;n&gt;:LIN:PARity

**N** (see [page 1172](#))

**Command Syntax** :SBUS<n>:LIN:PARity <display>

<display> ::= {{1 | ON} | {0 | OFF}}

The :SBUS<n>:LIN:PARity command determines whether the parity bits are included as the most significant bits (MSB) in the display of the Frame Id field in the LIN decode bus.

**Query Syntax** :SBUS<n>:LIN:PARity?

The :SBUS<n>:LIN:PARity? query returns the current LIN parity bits display setting of the serial decode bus.

**Return Format** <display><NL>

<display> ::= {0 | 1}

**Errors** • ["-241, Hardware missing"](#) on page 1133

**See Also** • ["Introduction to :SBUS<n> Commands"](#) on page 653

• [":SBUS<n>:LIN Commands"](#) on page 743

## :SBUS&lt;n&gt;:LIN:SAMPlEpoint

**N** (see [page 1172](#))

**Command Syntax** :SBUS<n>:LIN:SAMPlEpoint <value>

<value><NL>

<value> ::= {60 | 62.5 | 68 | 70 | 75 | 80 | 87.5} in NR3 format

The :SBUS<n>:LIN:SAMPlEpoint command sets the point during the bit time where the bit level is sampled to determine whether the bit is dominant or recessive. The sample point represents the percentage of time between the beginning of the bit time to the end of the bit time.

**NOTE**

The sample point values are not limited by the baud rate.

**Query Syntax** :SBUS<n>:LIN:SAMPlEpoint?

The :SBUS<n>:LIN:SAMPlEpoint? query returns the current LIN sample point setting.

**Return Format** <value><NL>

<value> ::= {60 | 62.5 | 68 | 70 | 75 | 80 | 87.5} in NR3 format

- See Also**
- ["Introduction to :TRIGger Commands"](#) on page 911
  - [":TRIGger:MODE"](#) on page 920
  - [":SBUS<n>:LIN:TRIGger"](#) on page 751

## :SBUS&lt;n&gt;:LIN:SIGNal:BAUDrate

**N** (see [page 1172](#))

**Command Syntax** :SBUS<n>:LIN:SIGNal:BAUDrate <baudrate>

<baudrate> ::= integer from 2400 to 625000 in 100 b/s increments

The :SBUS<n>:LIN:SIGNal:BAUDrate command sets the standard baud rate of the LIN signal from 2400 b/s to 625 kb/s in 100 b/s increments. If you enter a baud rate that is not divisible by 100 b/s, the baud rate is set to the nearest baud rate divisible by 100 b/s.

**Query Syntax** :SBUS<n>:LIN:SIGNal:BAUDrate?

The :SBUS<n>:LIN:SIGNal:BAUDrate? query returns the current LIN baud rate setting.

**Return Format** <baudrate><NL>

<baudrate> ::= integer from 2400 to 625000 in 100 b/s increments

- See Also**
- ["Introduction to :TRIGger Commands"](#) on page 911
  - [":TRIGger:MODE"](#) on page 920
  - [":SBUS<n>:LIN:TRIGger"](#) on page 751
  - [":SBUS<n>:LIN:SOURce"](#) on page 748

**:SBUS<n>:LIN:SOURce**

**N** (see [page 1172](#))

**Command Syntax** :SBUS<n>:LIN:SOURce <source>

<source> ::= {CHANnel<n> | EXTernal} for the DSO models

<source> ::= {CHANnel<n> | DIGital<d>} for the MSO models

<n> ::= 1 to (# analog channels) in NR1 format

<d> ::= 0 to (# digital channels - 1) in NR1 format

The :SBUS<n>:LIN:SOURce command sets the source for the LIN signal.

**Query Syntax** :SBUS<n>:LIN:SOURce?

The :SBUS<n>:LIN:SOURce? query returns the current source for the LIN signal.

**Return Format** <source><NL>

- See Also**
- ["Introduction to :TRIGger Commands"](#) on page 911
  - [":TRIGger:MODE"](#) on page 920
  - [":SBUS<n>:LIN:TRIGger"](#) on page 751
  - [":SBUS<n>:LIN:SIGNAL:DEFinition"](#) on page 1126

## :SBUS&lt;n&gt;:LIN:STANdard

**N** (see [page 1172](#))

**Command Syntax** :SBUS<n>:LIN:STANdard <std>

<std> ::= {LIN13 | LIN20}

The :SBUS<n>:LIN:STANdard command sets the LIN standard in effect for triggering and decoding to be LIN1.3 or LIN2.0.

**Query Syntax** :SBUS<n>:LIN:STANdard?

The :SBUS<n>:LIN:STANdard? query returns the current LIN standard setting.

**Return Format** <std><NL>

<std> ::= {LIN13 | LIN20}

- See Also**
- ["Introduction to :TRIGger Commands"](#) on page 911
  - [":TRIGger:MODE"](#) on page 920
  - [":SBUS<n>:LIN:SOURce"](#) on page 748

## :SBUS&lt;n&gt;:LIN:SYNCbreak

**N** (see [page 1172](#))

**Command Syntax** :SBUS<n>:LIN:SYNCbreak <value>

<value> ::= integer = {11 | 12 | 13}

The :SBUS<n>:LIN:SYNCbreak command sets the length of the LIN sync break to be greater than or equal to 11, 12, or 13 clock lengths. The sync break is the idle period in the bus activity at the beginning of each packet that distinguishes one information packet from the previous one.

**Query Syntax** :SBUS<n>:LIN:SYNCbreak?

The :SBUS<n>:LIN:SYNCbreak? query returns the current LIN sync break setting.

**Return Format** <value><NL>

<value> ::= {11 | 12 | 13}

- See Also**
- ["Introduction to :TRIGger Commands"](#) on page 911
  - [":TRIGger:MODE"](#) on page 920
  - [":SBUS<n>:LIN:SOURce"](#) on page 748

## :SBUS&lt;n&gt;:LIN:TRIGger

**N** (see [page 1172](#))

**Command Syntax** :SBUS<n>:LIN:TRIGger <condition>

<condition> ::= {SYNCbreak | ID | DATA}

The :SBUS<n>:LIN:TRIGger command sets the LIN trigger condition to be:

- SYNCbreak – Sync Break.
- ID – Frame ID.

Use the :SBUS<n>:LIN:TRIGger:ID command to specify the frame ID.

- DATA – Frame ID and Data.

Use the :SBUS<n>:LIN:TRIGger:ID command to specify the frame ID.

Use the :SBUS<n>:LIN:TRIGger:PATtern:DATA:LENGth and :SBUS<n>:LIN:TRIGger:PATtern:DATA commands to specify the data string length and value.

**Query Syntax** :SBUS<n>:LIN:TRIGger?

The :SBUS<n>:LIN:TRIGger? query returns the current LIN trigger value.

**Return Format** <condition><NL>

<condition> ::= {SYNC | ID | DATA}

**Errors** • ["-241, Hardware missing"](#) on page 1133

**See Also** • ["Introduction to :TRIGger Commands"](#) on page 911

• [":TRIGger:MODE"](#) on page 920

• [":SBUS<n>:LIN:TRIGger:ID"](#) on page 752

• [":SBUS<n>:LIN:TRIGger:PATtern:DATA:LENGth"](#) on page 755

• [":SBUS<n>:LIN:TRIGger:PATtern:DATA"](#) on page 753

• [":SBUS<n>:LIN:SOURce"](#) on page 748

## :SBUS&lt;n&gt;:LIN:TRIGger:ID

**N** (see [page 1172](#))

**Command Syntax** :SBUS<n>:LIN:TRIGger:ID <value>

<value> ::= 7-bit integer in decimal, <nondecimal>, or <string>  
from 0-63 or 0x00-0x3f

<nondecimal> ::= #Hnn where n ::= {0,...,9 | A,...,F} for hexadecimal

<nondecimal> ::= #Bnn...n where n ::= {0 | 1} for binary

<string> ::= "0xnn" where n ::= {0,...,9 | A,...,F} for hexadecimal

The :SBUS<n>:LIN:TRIGger:ID command defines the LIN identifier searched for in each CAN message when the LIN trigger mode is set to frame ID.

Setting the ID to a value of "-1" results in "0xXX" which is equivalent to all IDs.

**Query Syntax** :SBUS<n>:LIN:TRIGger:ID?

The :SBUS<n>:LIN:TRIGger:ID? query returns the current LIN identifier setting.

**Return Format** <value><NL>

<value> ::= integer in decimal

**Errors** • ["-241, Hardware missing"](#) on page 1133

**See Also** • ["Introduction to :TRIGger Commands"](#) on page 911

• [":TRIGger:MODE"](#) on page 920

• [":SBUS<n>:LIN:TRIGger"](#) on page 751

• [":SBUS<n>:LIN:SOURce"](#) on page 748



## :SBUS&lt;n&gt;:LIN:TRIGger:PATtern:DATA

**N** (see [page 1172](#))

**Command Syntax** :SBUS<n>:LIN:TRIGger:PATtern:DATA <string>

<string> ::= "n" where n ::= 32-bit integer in unsigned decimal when  
<base> = DECimal

<string> ::= "nn...n" where n ::= {0 | 1 | X | \$} when  
<base> = BINary

<string> ::= "0xnn...n" where n ::= {0,...,9 | A,...,F | X | \$} when  
<base> = HEX

**NOTE**

<base> is specified with the :SBUS<n>:LIN:TRIGger:PATtern:FORMat command. The default <base> is BINary.

The :SBUS<n>:LIN:TRIGger:PATtern:DATA command specifies the LIN trigger data pattern searched for in each LIN data field.

Set a <string> bit to "0" or "1" to set the corresponding bit in the data pattern to low or high, respectively.

Set a <string> bit to "X" to ignore (mask off) that bit in the data pattern.

Use the "\$" character to indicate that the value of the corresponding bit will not be changed (the existing bit value is used).

When <base> = DECimal, the "X" and "\$" characters cannot be entered. When queried, the "\$" character is returned when any bits in the pattern have the value of "X" and <base> = DECimal. When any bits in a given nibble have the value of "X" and <base> = HEX, the "\$" character is returned for the corresponding nibble.

**NOTE**

The length of the trigger data value is determined by the :SBUS<n>:LIN:TRIGger:PATtern:DATA:LENGth command.

**NOTE**

If more bits are sent for <string> than the specified trigger pattern data length, the most significant bits will be truncated. If the data length size is changed after the <string> is programmed, the added or deleted bits will be added to or deleted from the least significant bits.

**Query Syntax** :SBUS<n>:LIN:TRIGger:PATtern:DATA?

The :SBUS<n>:LIN:TRIGger:PATtern:DATA? query returns the currently specified LIN trigger data pattern.

**Return Format** <string><NL>

- See Also**
- [":SBUS<n>:LIN:TRIGger:DATA:LENGth"](#) on page 755
  - [":SBUS<n>:LIN:TRIGger:PATtern:FORMat"](#) on page 756
  - [":SBUS<n>:LIN:TRIGger"](#) on page 751
  - ["Introduction to :TRIGger Commands"](#) on page 911

## :SBUS&lt;n&gt;:LIN:TRIGger:PATtern:DATA:LENGth

**N** (see [page 1172](#))

**Command Syntax** :SBUS<n>:LIN:TRIGger:PATtern:DATA:LENGth <length>

<length> ::= integer from 1 to 8 in NR1 format

The :SBUS<n>:LIN:TRIGger:PATtern:DATA:LENGth command sets the number of 8-bit bytes in the LIN data string. The number of bytes in the string can be anywhere from 1 bytes to 8 bytes (64 bits). The value for these bytes is set by the :SBUS<n>:LIN:TRIGger:PATtern:DATA command.

**Query Syntax** :SBUS<n>:LIN:TRIGger:PATtern:DATA:LENGth?

The :SBUS<n>:LIN:TRIGger:PATtern:DATA:LENGth? query returns the current LIN data pattern length setting.

**Return Format** <count><NL>

<count> ::= integer from 1 to 8 in NR1 format

**Errors** • ["-241, Hardware missing"](#) on page 1133

- See Also** • ["Introduction to :TRIGger Commands"](#) on page 911
- [":SBUS<n>:LIN:TRIGger:PATtern:DATA"](#) on page 753
  - [":SBUS<n>:LIN:SOURce"](#) on page 748

## :SBUS&lt;n&gt;:LIN:TRIGger:PATtern:FORMat

**N** (see [page 1172](#))

**Command Syntax** :SBUS<n>:LIN:TRIGger:PATtern:FORMat <base>

<base> ::= {BINary | HEX | DECimal}

The :SBUS<n>:LIN:TRIGger:PATtern:FORMat command sets the entry (and query) number base used by the :SBUS<n>:LIN:TRIGger:PATtern:DATA command. The default <base> is BINary.

**Query Syntax** :SBUS<n>:LIN:TRIGger:PATtern:FORMat?

The :SBUS<n>:LIN:TRIGger:PATtern:FORMat? query returns the currently set number base for LIN pattern data.

**Return Format** <base><NL>

<base> ::= {BIN | HEX | DEC}

- See Also**
- ["Introduction to :TRIGger Commands"](#) on page 911
  - [":SBUS<n>:LIN:TRIGger:PATtern:DATA"](#) on page 753
  - [":SBUS<n>:LIN:TRIGger:PATtern:DATA:LENGth"](#) on page 755

## :SBUS&lt;n&gt;:M1553 Commands

**NOTE**

These commands are valid when the DSOX3AERO MIL-STD-1553 and ARINC 429 triggering and serial decode option (Option AERO) has been licensed.

**Table 107** :SBUS<n>:M1553 Commands Summary

Command	Query	Options and Query Returns
:SBUS<n>:M1553:AUTOsetup (see <a href="#">page 758</a> )	n/a	n/a
:SBUS<n>:M1553:BASE<base> (see <a href="#">page 759</a> )	:SBUS<n>:M1553:BASE? (see <a href="#">page 759</a> )	<base> ::= {BINary   HEX}
:SBUS<n>:M1553:SOURce<source> (see <a href="#">page 760</a> )	:SBUS<n>:M1553:SOURce? (see <a href="#">page 760</a> )	<source> ::= {CHANnel<n>} <n> ::= 1 to (# analog channels) in NR1 format
:SBUS<n>:M1553:TRIGger:PATtern:DATA<string> (see <a href="#">page 761</a> )	:SBUS<n>:M1553:TRIGger:PATtern:DATA? (see <a href="#">page 761</a> )	<string> ::= "nn...n" where n ::= {0   1   X}
:SBUS<n>:M1553:TRIGger:RTA<value> (see <a href="#">page 762</a> )	:SBUS<n>:M1553:TRIGger:RTA? (see <a href="#">page 762</a> )	<value> ::= 5-bit integer in decimal, <nondecimal>, or <string> from 0-31 <nondecimal> ::= #Hnn where n ::= {0,...,9 A,...,F} <string> ::= "0xnn" where n ::= {0,...,9 A,...,F}
:SBUS<n>:M1553:TRIGger:TYPE<type> (see <a href="#">page 763</a> )	:SBUS<n>:M1553:TRIGger:TYPE? (see <a href="#">page 763</a> )	<type> ::= {DStArt   DStOp   CStArt   CStOp   RTA   PERRor   SERRor   MERRor   RTA11}

## :SBUS&lt;n&gt;:M1553:AUTOsetup

**N** (see [page 1172](#))

**Command Syntax** :SBUS<n>:M1553:TRIGger:AUTOsetup

The :SBUS<n>:M1553:AUTOsetup command automatically sets these options for decoding and triggering on MIL-STD-1553 signals:

- High/Low Trigger Thresholds: to a voltage value equal to  $\pm 1/3$  division based on the source channel's current V/div setting.
- Noise Reject: Off.
- Probe Attenuation: 10.0.
- Serial Decode: On.
- Trigger: the specified serial bus (n of SBUS<n>).

- See Also**
- ["Introduction to :TRIGger Commands"](#) on page 911
  - [":TRIGger:MODE"](#) on page 920
  - [":SBUS<n>:M1553:SOURce"](#) on page 760

## :SBUS&lt;n&gt;:M1553:BASE

**N** (see [page 1172](#))

**Command Syntax** :SBUS<n>:M1553:BASE <base>

<base> ::= {BINary | HEX}

The :SBUS<n>:M1553:BASE command determines the base to use for the MIL-STD-1553 decode display.

**Query Syntax** :SBUS<n>:M1553:BASE?

The :SBUS<n>:M1553:BASE? query returns the current MIL-STD-1553 display decode base.

**Return Format** <base><NL>

<base> ::= {BIN | HEX}

**Errors** • ["-241, Hardware missing"](#) on page 1133

**See Also** • ["Introduction to :SBUS<n> Commands"](#) on page 653  
 • [":SBUS<n>:M1553 Commands"](#) on page 757

## :SBUS&lt;n&gt;:M1553:SOURce

**N** (see [page 1172](#))

**Command Syntax** :SBUS<n>:M1553:SOURce <source>

<source> ::= {CHANnel<n>}

<n> ::= 1 to (# analog channels) in NR1 format

The :SBUS<n>:M1553:SOURce command sets the source of the MIL-STD 1553 signal.

Use the :TRIGger:LEVel:HIGH and :TRIGger:LEVel:LOW commands to set the threshold levels for the selected source.

**Query Syntax** :SBUS<n>:M1553:TRIGger:SOURce?

The :SBUS<n>:M1553:SOURce? query returns the currently set source of the MIL-STD 1553 signal.

**Return Format** <source><NL>

<source> ::= {CHAN<n>}

<n> ::= 1 to (# analog channels) in NR1 format

- See Also**
- [":TRIGger:LEVel:HIGH"](#) on page 918
  - [":TRIGger:LEVel:LOW"](#) on page 919
  - [":TRIGger:MODE"](#) on page 920
  - ["Introduction to :TRIGger Commands"](#) on page 911



## :SBUS&lt;n&gt;:M1553:TRIGger:PATtern:DATA

**N** (see [page 1172](#))

**Command Syntax** :SBUS<n>:M1553:TRIGger:PATtern:DATA <string>

<string> ::= "nn...n" where n ::= {0 | 1 | X}

The :SBUS<n>:M1553:TRIGger:PATtern:DATA command sets the 11 bits to trigger on if the trigger type has been set to RTA11 (RTA + 11 Bits) using the :SBUS<n>:M1553:TRIGger:TYPE command.

**Query Syntax** :SBUS<n>:M1553:TRIGger:PATtern:DATA?

The :SBUS<n>:M1553:TRIGger:PATtern:DATA? query returns the current 11-bit setting.

**Return Format** <string><NL>

<string> ::= "nn...n" where n ::= {0 | 1 | X}

- See Also**
- ["Introduction to :TRIGger Commands"](#) on page 911
  - [":SBUS<n>:M1553:TRIGger:TYPE"](#) on page 763
  - [":SBUS<n>:M1553:TRIGger:RTA"](#) on page 762

## :SBUS&lt;n&gt;:M1553:TRIGger:RTA

**N** (see [page 1172](#))

**Command Syntax** :SBUS<n>:M1553:TRIGger:RTA <value>

<value> ::= 5-bit integer in decimal, <nondecimal>, or  
<string> from 0-31

<nondecimal> ::= #Hnn where n ::= {0,...,9|A,...,F}

<string> ::= "0xnn" where n ::= {0,...,9|A,...,F}

The :SBUS<n>:M1553:TRIGger:RTA command sets the Remote Terminal Address (RTA) to trigger on when the trigger type has been set to RTA or RTA11 (using the :SBUS<n>:M1553:TRIGger:TYPE command).

To set the RTA value to don't cares (0xXX), set the value to -1.

**Query Syntax** :SBUS<n>:M1553:TRIGger:RTA?

The :SBUS<n>:M1553:TRIGger:RTA? query returns the RTA value.

**Return Format** <value><NL> in decimal format

- See Also**
- ["Introduction to :TRIGger Commands"](#) on page 911
  - [":SBUS<n>:M1553:TRIGger:TYPE"](#) on page 763

## :SBUS&lt;n&gt;:M1553:TRIGger:TYPE

**N** (see [page 1172](#))

**Command Syntax** :SBUS<n>:M1553:TRIGger:TYPE <type>

```
<type> ::= {DStArt | DStOp | CStArt | CStOp | RTA | PERRor | SERRor
            | MERRor | RTA11}
```

The :SBUS<n>:M1553:TRIGger:TYPE command specifies the type of MIL-STD-1553 trigger to be used:

- DStArt – (Data Word Start) triggers on the start of a Data word (at the end of a valid Data Sync pulse).
- DStOp – (Data Word Stop) triggers on the end of a Data word.
- CStArt – (Command/Status Word Start) triggers on the start of Command/Status word (at the end of a valid C/S Sync pulse).
- CStOp – (Command/Status Word Stop) triggers on the end of a Command/Status word.
- RTA – (Remote Terminal Address) triggers if the RTA of the Command/Status word matches the specified value. The value is specified in hex.
- RTA11 – (RTA + 11 Bits) triggers if the RTA and the remaining 11 bits match the specified criteria. The RTA can be specified as a hex value, and the remaining 11 bits can be specified as a 1, 0, or X (don't care).
- PERRor – (Parity Error) triggers if the (odd) parity bit is incorrect for the data in the word.
- MERRor – (Manchester Error) triggers if a Manchester encoding error is detected.
- SERRor – (Sync Error) triggers if an invalid Sync pulse is found.

**Query Syntax** :SBUS<n>:M1553:TRIGger:TYPE?

The :SBUS<n>:M1553:TRIGger:TYPE? query returns the currently set MIL-STD-1553 trigger type.

**Return Format** <type><NL>

```
<type> ::= {DStA | DStO | CStA | CStO | RTA | PERR | SERR
            | MERR | RTA11}
```

- See Also**
- ["Introduction to :TRIGger Commands"](#) on page 911
  - [":SBUS<n>:M1553:TRIGger:RTA"](#) on page 762
  - [":SBUS<n>:M1553:TRIGger:PATtern:DATA"](#) on page 761
  - [":TRIGger:MODE"](#) on page 920

## :SBUS&lt;n&gt;:SPI Commands

**NOTE**

These commands are only valid when the low-speed IIC and SPI serial decode option (Option LSS) has been licensed.

**Table 108** :SBUS<n>:SPI Commands Summary

Command	Query	Options and Query Returns
:SBUS<n>:SPI:BITOrder <order> (see <a href="#">page 766</a> )	:SBUS<n>:SPI:BITOrder ? (see <a href="#">page 766</a> )	<order> ::= {LSBFirst   MSBFirst}
:SBUS<n>:SPI:CLOCK:SL OPe <slope> (see <a href="#">page 767</a> )	:SBUS<n>:SPI:CLOCK:SL OPe? (see <a href="#">page 767</a> )	<slope> ::= {NEGative   POSitive}
:SBUS<n>:SPI:CLOCK:TI Meout <time_value> (see <a href="#">page 768</a> )	:SBUS<n>:SPI:CLOCK:TI Meout? (see <a href="#">page 768</a> )	<time_value> ::= time in seconds in NR3 format
:SBUS<n>:SPI:FRAMing <value> (see <a href="#">page 769</a> )	:SBUS<n>:SPI:FRAMing? (see <a href="#">page 769</a> )	<value> ::= {CHIPselect   {NCHipselect   NOTC}   TIMEout}
:SBUS<n>:SPI:SOURce:C LOCK <source> (see <a href="#">page 770</a> )	:SBUS<n>:SPI:SOURce:C LOCK? (see <a href="#">page 770</a> )	<value> ::= {CHANnel<n>   EXTernal} for the DSO models <value> ::= {CHANnel<n>   DIGital<d>} for the MSO models <n> ::= 1 to (# analog channels) in NR1 format <d> ::= 0 to (# digital channels - 1) in NR1 format
:SBUS<n>:SPI:SOURce:F RAME <source> (see <a href="#">page 771</a> )	:SBUS<n>:SPI:SOURce:F RAME? (see <a href="#">page 771</a> )	<value> ::= {CHANnel<n>   EXTernal} for the DSO models <value> ::= {CHANnel<n>   DIGital<d>} for the MSO models <n> ::= 1 to (# analog channels) in NR1 format <d> ::= 0 to (# digital channels - 1) in NR1 format

**Table 108** :SBUS<n>:SPI Commands Summary (continued)

Command	Query	Options and Query Returns
:SBUS<n>:SPI:SOURce:MISO <source> (see <a href="#">page 772</a> )	:SBUS<n>:SPI:SOURce:MISO? (see <a href="#">page 772</a> )	<value> ::= {CHANnel<n>   EXTernal} for the DSO models <value> ::= {CHANnel<n>   DIGital<d>} for the MSO models <n> ::= 1 to (# analog channels) in NR1 format <d> ::= 0 to (# digital channels - 1) in NR1 format
:SBUS<n>:SPI:SOURce:MOSI <source> (see <a href="#">page 773</a> )	:SBUS<n>:SPI:SOURce:MOSI? (see <a href="#">page 773</a> )	<value> ::= {CHANnel<n>   EXTernal} for the DSO models <value> ::= {CHANnel<n>   DIGital<d>} for the MSO models <n> ::= 1 to (# analog channels) in NR1 format <d> ::= 0 to (# digital channels - 1) in NR1 format
:SBUS<n>:SPI:TRIGger:PATtern:MISO:DATA <string> (see <a href="#">page 774</a> )	:SBUS<n>:SPI:TRIGger:PATtern:MISO:DATA? (see <a href="#">page 774</a> )	<string> ::= "nn...n" where n ::= {0   1   X   \$} <string> ::= "0xnn...n" where n ::= {0,...,9   A,...,F   X   \$}
:SBUS<n>:SPI:TRIGger:PATtern:MISO:WIDTh <width> (see <a href="#">page 775</a> )	:SBUS<n>:SPI:TRIGger:PATtern:MISO:WIDTh? (see <a href="#">page 775</a> )	<width> ::= integer from 4 to 64 in NR1 format
:SBUS<n>:SPI:TRIGger:PATtern:MOSI:DATA <string> (see <a href="#">page 776</a> )	:SBUS<n>:SPI:TRIGger:PATtern:MOSI:DATA? (see <a href="#">page 776</a> )	<string> ::= "nn...n" where n ::= {0   1   X   \$} <string> ::= "0xnn...n" where n ::= {0,...,9   A,...,F   X   \$}
:SBUS<n>:SPI:TRIGger:PATtern:MOSI:WIDTh <width> (see <a href="#">page 777</a> )	:SBUS<n>:SPI:TRIGger:PATtern:MOSI:WIDTh? (see <a href="#">page 777</a> )	<width> ::= integer from 4 to 64 in NR1 format
:SBUS<n>:SPI:TRIGger:TYPE <value> (see <a href="#">page 778</a> )	:SBUS<n>:SPI:TRIGger:TYPE? (see <a href="#">page 778</a> )	<value> ::= {MOSI   MISO}
:SBUS<n>:SPI:WIDTh <word_width> (see <a href="#">page 779</a> )	:SBUS<n>:SPI:WIDTh? (see <a href="#">page 779</a> )	<word_width> ::= integer 4-16 in NR1 format

## :SBUS&lt;n&gt;:SPI:BITOrder

**N** (see [page 1172](#))

**Command Syntax** :SBUS<n>:SPI:BITOrder <order>

<order> ::= {LSBFirst | MSBFirst}

The :SBUS<n>:SPI:BITOrder command selects the bit order, most significant bit first (MSB) or least significant bit first (LSB), used when displaying data in the serial decode waveform and in the Lister.

**Query Syntax** :SBUS<n>:SPI:BITOrder?

The :SBUS<n>:SPI:BITOrder? query returns the current SPI decode bit order.

**Return Format** <order><NL>

<order> ::= {LSBF | MSBF}

**Errors** • ["-241, Hardware missing"](#) on page 1133

- See Also** • ["Introduction to :SBUS<n> Commands"](#) on page 653
- [":SBUS<n>:MODE"](#) on page 657
  - [":SBUS<n>:SPI Commands"](#) on page 764

## :SBUS&lt;n&gt;:SPI:CLOCK:SLOPe

**N** (see [page 1172](#))

**Command Syntax** :SBUS<n>:SPI:CLOCK:SLOPe <slope>

<slope> ::= {NEGative | POSitive}

The :SBUS<n>:SPI:CLOCK:SLOPe command specifies the rising edge (POSitive) or falling edge (NEGative) of the SPI clock source that will clock in the data.

**Query Syntax** :SBUS<n>:SPI:CLOCK:SLOPe?

The :SBUS<n>:SPI:CLOCK:SLOPe? query returns the current SPI clock source slope.

**Return Format** <slope><NL>

<slope> ::= {NEG | POS}

- See Also**
- ["Introduction to :TRIGger Commands"](#) on page 911
  - [":SBUS<n>:SPI:CLOCK:TIMEout"](#) on page 768
  - [":SBUS<n>:SPI:SOURce:CLOCK"](#) on page 770

## :SBUS&lt;n&gt;:SPI:CLOCK:TIMEout

**N** (see [page 1172](#))

**Command Syntax** :SBUS<n>:SPI:CLOCK:TIMEout <time\_value>

<time\_value> ::= time in seconds in NR3 format

The :SBUS<n>:SPI:CLOCK:TIMEout command sets the SPI signal clock timeout resource in seconds from 100 ns to 10 s when the :SBUS<n>:SPI:FRAMing command is set to TIMEout. The timer is used to frame a signal by a clock timeout.

**Query Syntax** :SBUS<n>:SPI:CLOCK:TIMEout?

The :SBUS<n>:SPI:CLOCK:TIMEout? query returns current SPI clock timeout setting.

**Return Format** <time\_value><NL>

<time\_value> ::= time in seconds in NR3 format

- See Also**
- ["Introduction to :TRIGger Commands"](#) on page 911
  - [":SBUS<n>:SPI:CLOCK:SLOPe"](#) on page 767
  - [":SBUS<n>:SPI:SOURce:CLOCK"](#) on page 770
  - [":SBUS<n>:SPI:FRAMing"](#) on page 769



## :SBUS&lt;n&gt;:SPI:FRAMing

**N** (see [page 1172](#))

**Command Syntax** :SBUS<n>:SPI:FRAMing <value>  
 <value> ::= {CHIPselect | {NCHipselect | NOTC} | TIMEout}

The :SBUS<n>:SPI:FRAMing command sets the SPI trigger framing value. If TIMEout is selected, the timeout value is set by the :SBUS<n>:SPI:CLOCK:TIMEout command.

**NOTE**

The NOTC value is deprecated. It is the same as NCHipselect.

**Query Syntax** :SBUS<n>:SPI:FRAMing?

The :SBUS<n>:SPI:FRAMing? query returns the current SPI framing value.

**Return Format** <value><NL>  
 <value> ::= {CHIP | NCH | TIM}

- See Also**
- ["Introduction to :TRIGger Commands"](#) on page 911
  - [":TRIGger:MODE"](#) on page 920
  - [":SBUS<n>:SPI:CLOCK:TIMEout"](#) on page 768
  - [":SBUS<n>:SPI:SOURce:FRAME"](#) on page 771

## :SBUS&lt;n&gt;:SPI:SOURce:CLOCK

**N** (see [page 1172](#))

**Command Syntax** :SBUS<n>:SPI:SOURce:CLOCK <source>

<source> ::= {CHANnel<n> | EXTernal} for the DSO models

<source> ::= {CHANnel<n> | DIGital<d>} for the MSO models

<n> ::= 1 to (# analog channels) in NR1 format

<d> ::= 0 to (# digital channels - 1) in NR1 format

The :SBUS<n>:SPI:SOURce:CLOCK command sets the source for the SPI serial clock.

**Query Syntax** :SBUS<n>:SPI:SOURce:CLOCK?

The :SBUS<n>:SPI:SOURce:CLOCK? query returns the current source for the SPI serial clock.

**Return Format** <source><NL>

- See Also**
- ["Introduction to :TRIGger Commands"](#) on page 911
  - [":SBUS<n>:SPI:CLOCK:SLOPe"](#) on page 767
  - [":SBUS<n>:SPI:CLOCK:TIMEout"](#) on page 768
  - [":SBUS<n>:SPI:SOURce:FRAMe"](#) on page 771
  - [":SBUS<n>:SPI:SOURce:MOSI"](#) on page 773
  - [":SBUS<n>:SPI:SOURce:MISO"](#) on page 772
  - [":SBUS<n>:SPI:SOURce:DATA"](#) on page 1127

## :SBUS&lt;n&gt;:SPI:SOURce:FRAMe

**N** (see [page 1172](#))

**Command Syntax** :SBUS<n>:SPI:SOURce:FRAMe <source>

<source> ::= {CHANnel<n> | EXTernal} for the DSO models

<source> ::= {CHANnel<n> | DIGital<d>} for the MSO models

<n> ::= 1 to (# analog channels) in NR1 format

<d> ::= 0 to (# digital channels - 1) in NR1 format

The :SBUS<n>:SPI:SOURce:FRAMe command sets the frame source when :SBUS<n>:SPI:FRAMing is set to CHIPselect or NOTChipselect.

**Query Syntax** :SBUS<n>:SPI:SOURce:FRAMe?

The :SBUS<n>:SPI:SOURce:FRAMe? query returns the current frame source for the SPI serial frame.

**Return Format** <source><NL>

- See Also**
- ["Introduction to :TRIGger Commands"](#) on page 911
  - [":SBUS<n>:SPI:SOURce:CLOCK"](#) on page 770
  - [":SBUS<n>:SPI:SOURce:MOSI"](#) on page 773
  - [":SBUS<n>:SPI:SOURce:MISO"](#) on page 772
  - [":SBUS<n>:SPI:SOURce:DATA"](#) on page 1127
  - [":SBUS<n>:SPI:FRAMing"](#) on page 769

**:SBUS<n>:SPI:SOURce:MISO**

**N** (see [page 1172](#))

**Command Syntax** :SBUS<n>:SPI:SOURce:MISO <source>

<source> ::= {CHANnel<n> | EXTernal} for the DSO models

<source> ::= {CHANnel<n> | DIGital<d>} for the MSO models

<n> ::= 1 to (# analog channels) in NR1 format

<d> ::= 0 to (# digital channels - 1) in NR1 format

The :SBUS<n>:SPI:SOURce:MISO command sets the source for the SPI serial MISO data.

**Query Syntax** :SBUS<n>:SPI:SOURce:MISO?

The :SBUS<n>:SPI:SOURce:MISO? query returns the current source for the SPI serial MISO data.

**Return Format** <source><NL>

- See Also**
- ["Introduction to :TRIGger Commands"](#) on page 911
  - [":SBUS<n>:SPI:SOURce:MOSI"](#) on page 773
  - [":SBUS<n>:SPI:SOURce:DATA"](#) on page 1127
  - [":SBUS<n>:SPI:SOURce:CLOCK"](#) on page 770
  - [":SBUS<n>:SPI:SOURce:FRAMe"](#) on page 771
  - [":SBUS<n>:SPI:TRIGger:PATtern:MISO:DATA"](#) on page 774
  - [":SBUS<n>:SPI:TRIGger:PATtern:MOSI:DATA"](#) on page 776
  - [":SBUS<n>:SPI:TRIGger:PATtern:MISO:WIDTh"](#) on page 775
  - [":SBUS<n>:SPI:TRIGger:PATtern:MOSI:WIDTh"](#) on page 777

## :SBUS&lt;n&gt;:SPI:SOURce:MOSI

**N** (see [page 1172](#))

**Command Syntax** :SBUS<n>:SPI:SOURce:MOSI <source>

<source> ::= {CHANnel<n> | EXTernal} for the DSO models

<source> ::= {CHANnel<n> | DIGital<d>} for the MSO models

<n> ::= 1 to (# analog channels) in NR1 format

<d> ::= 0 to (# digital channels - 1) in NR1 format

The :SBUS<n>:SPI:SOURce:MOSI command sets the source for the SPI serial MOSI data.

You can also use the equivalent :SBUS<n>:SPI:SOURce:DATA command to set the MOSI data source.

**Query Syntax** :SBUS<n>:SPI:SOURce:MOSI?

The :SBUS<n>:SPI:SOURce:MOSI? query returns the current source for the SPI serial MOSI data.

**Return Format** <source><NL>

- See Also**
- ["Introduction to :TRIGger Commands"](#) on page 911
  - [":SBUS<n>:SPI:SOURce:DATA"](#) on page 1127
  - [":SBUS<n>:SPI:SOURce:MISO"](#) on page 772
  - [":SBUS<n>:SPI:SOURce:CLOCK"](#) on page 770
  - [":SBUS<n>:SPI:SOURce:FRAMe"](#) on page 771
  - [":SBUS<n>:SPI:TRIGger:PATtern:MISO:DATA"](#) on page 774
  - [":SBUS<n>:SPI:TRIGger:PATtern:MOSI:DATA"](#) on page 776
  - [":SBUS<n>:SPI:TRIGger:PATtern:MISO:WIDTh"](#) on page 775
  - [":SBUS<n>:SPI:TRIGger:PATtern:MOSI:WIDTh"](#) on page 777

**:SBUS<n>:SPI:TRIGger:PATtern:MISO:DATA**

**N** (see [page 1172](#))

**Command Syntax** :SBUS<n>:SPI:TRIGger:PATtern:MISO:DATA <string>

<string> ::= "nn...n" where n ::= {0 | 1 | X | \$}

<string ::= "0xnn...n" where n ::= {0,...,9 | A,...,F | X | \$}

The :SBUS<n>:SPI:TRIGger:PATtern:MISO:DATA command defines the SPI data pattern resource according to the string parameter. This pattern, along with the data width, control the data pattern searched for in the data stream.

If the string parameter starts with "0x", it is a hexadecimal string made up of hexadecimal and X (don't care) characters; otherwise, it is a binary string made up of 0, 1, and X (don't care) characters.

**NOTE**

The :SBUS<n>:SPI:TRIGger:PATtern:MISO:WIDTH should be set before :SBUS<n>:SPI:TRIGger:PATtern:MISO:DATA.

**Query Syntax** :SBUS<n>:SPI:TRIGger:PATtern:MISO:DATA?

The :SBUS<n>:SPI:TRIGger:PATtern:MISO:DATA? query returns the current settings of the specified SPI data pattern resource in the binary string format.

**Return Format** <string><NL>

- See Also**
- ["Introduction to :TRIGger Commands"](#) on page 911
  - [":SBUS<n>:SPI:TRIGger:PATtern:MISO:WIDTH"](#) on page 775
  - [":SBUS<n>:SPI:SOURce:MISO"](#) on page 772

## :SBUS&lt;n&gt;:SPI:TRIGger:PATtern:MISO:WIDTh

**N** (see [page 1172](#))

**Command Syntax** :SBUS<n>:SPI:TRIGger:PATtern:MISO:WIDTh <width>

<width> ::= integer from 4 to 64 in NR1 format

The :SBUS<n>:SPI:TRIGger:PATtern:MISO:WIDTh command sets the width of the SPI data pattern anywhere from 4 bits to 64 bits.

**NOTE**

The :SBUS<n>:SPI:TRIGger:PATtern:MISO:WIDTh should be set before :SBUS<n>:SPI:TRIGger:PATtern:MISO:DATA.

**Query Syntax** :SBUS<n>:SPI:TRIGger:PATtern:MISO:WIDTh?

The :SBUS<n>:SPI:TRIGger:PATtern:MISO:WIDTh? query returns the current SPI data pattern width setting.

**Return Format** <width><NL>

<width> ::= integer from 4 to 64 in NR1 format

- See Also**
- ["Introduction to :TRIGger Commands"](#) on page 911
  - [":SBUS<n>:SPI:TRIGger:PATtern:MISO:DATA"](#) on page 774
  - [":SBUS<n>:SPI:SOURce:MISO"](#) on page 772

**:SBUS<n>:SPI:TRIGger:PATtern:MOSI:DATA**

**N** (see [page 1172](#))

**Command Syntax** :SBUS<n>:SPI:TRIGger:PATtern:MOSI:DATA <string>

<string> ::= "nn...n" where n ::= {0 | 1 | X | \$}

<string ::= "0xnn...n" where n ::= {0,...,9 | A,...,F | X | \$}

The :SBUS<n>:SPI:TRIGger:PATtern:MOSI:DATA command defines the SPI data pattern resource according to the string parameter. This pattern, along with the data width, control the data pattern searched for in the data stream.

If the string parameter starts with "0x", it is a hexadecimal string made up of hexadecimal and X (don't care) characters; otherwise, it is a binary string made up of 0, 1, and X (don't care) characters.

**NOTE**

The :SBUS<n>:SPI:TRIGger:PATtern:MOSI:WIDTH should be set before :SBUS<n>:SPI:TRIGger:PATtern:MOSI:DATA.

**Query Syntax** :SBUS<n>:SPI:TRIGger:PATtern:MOSI:DATA?

The :SBUS<n>:SPI:TRIGger:PATtern:MOSI:DATA? query returns the current settings of the specified SPI data pattern resource in the binary string format.

**Return Format** <string><NL>

- See Also**
- ["Introduction to :TRIGger Commands"](#) on page 911
  - [":SBUS<n>:SPI:TRIGger:PATtern:MOSI:WIDTH"](#) on page 777
  - [":SBUS<n>:SPI:SOURce:MOSI"](#) on page 773



## :SBUS&lt;n&gt;:SPI:TRIGger:PATtern:MOSI:WIDTh

**N** (see [page 1172](#))

**Command Syntax** :SBUS<n>:SPI:TRIGger:PATtern:MOSI:WIDTh <width>

<width> ::= integer from 4 to 64 in NR1 format

The :SBUS<n>:SPI:TRIGger:PATtern:MOSI:WIDTh command sets the width of the SPI data pattern anywhere from 4 bits to 64 bits.

**NOTE**

The :SBUS<n>:SPI:TRIGger:PATtern:MOSI:WIDTh should be set before :SBUS<n>:SPI:TRIGger:PATtern:MOSI:DATA.

**Query Syntax** :SBUS<n>:SPI:TRIGger:PATtern:MOSI:WIDTh?

The :SBUS<n>:SPI:TRIGger:PATtern:MOSI:WIDTh? query returns the current SPI data pattern width setting.

**Return Format** <width><NL>

<width> ::= integer from 4 to 64 in NR1 format

- See Also**
- ["Introduction to :TRIGger Commands"](#) on page 911
  - [":SBUS<n>:SPI:TRIGger:PATtern:MOSI:DATA"](#) on page 776
  - [":SBUS<n>:SPI:SOURce:MOSI"](#) on page 773

## :SBUS&lt;n&gt;:SPI:TRIGger:TYPE

**N** (see [page 1172](#))

**Command Syntax** :SBUS<n>:SPI:TRIGger:TYPE <value>

<value> ::= {MOSI | MISO}

The :SBUS<n>:SPI:TRIGger:TYPE command specifies whether the SPI trigger will be on the MOSI data or the MISO data.

When triggering on MOSI data, the data value is specified by the :SBUS<n>:SPI:TRIGger:PATtern:MOSI:DATA and :SBUS<n>:SPI:TRIGger:PATtern:MOSI:WIDTH commands.

When triggering on MISO data, the data value is specified by the :SBUS<n>:SPI:TRIGger:PATtern:MISO:DATA and :SBUS<n>:SPI:TRIGger:PATtern:MISO:WIDTH commands.

**Query Syntax** :SBUS<n>:SPI:TRIGger:TYPE?

The :SBUS<n>:SPI:TRIGger:TYPE? query returns the current SPI trigger type setting.

**Return Format** <value><NL>

<value> ::= {MOSI | MISO}

- See Also**
- ["Introduction to :TRIGger Commands"](#) on page 911
  - [":SBUS<n>:SPI:SOURce:MOSI"](#) on page 773
  - [":SBUS<n>:SPI:SOURce:MISO"](#) on page 772
  - [":SBUS<n>:SPI:TRIGger:PATtern:MISO:DATA"](#) on page 774
  - [":SBUS<n>:SPI:TRIGger:PATtern:MOSI:DATA"](#) on page 776
  - [":SBUS<n>:SPI:TRIGger:PATtern:MISO:WIDTH"](#) on page 775
  - [":SBUS<n>:SPI:TRIGger:PATtern:MOSI:WIDTH"](#) on page 777
  - [":TRIGger:MODE"](#) on page 920

## :SBUS&lt;n&gt;:SPI:WIDTH

**N** (see [page 1172](#))

**Command Syntax** :SBUS<n>:SPI:WIDTH <word\_width>

<word\_width> ::= integer 4-16 in NR1 format

The :SBUS<n>:SPI:WIDTH command determines the number of bits in a word of data for SPI.

**Query Syntax** :SBUS<n>:SPI:WIDTH?

The :SBUS<n>:SPI:WIDTH? query returns the current SPI decode word width.

**Return Format** <word\_width><NL>

<word\_width> ::= integer 4-16 in NR1 format

**Errors** • ["-241, Hardware missing"](#) on page 1133

**See Also** • ["Introduction to :SBUS<n> Commands"](#) on page 653

• [":SBUS<n>:MODE"](#) on page 657

• [":SBUS<n>:SPI Commands"](#) on page 764

## :SBUS&lt;n&gt;:UART Commands

**NOTE**

These commands are only valid when the UART/RS-232 triggering and serial decode option (Option 232) has been licensed.

**Table 109** :SBUS<n>:UART Commands Summary

Command	Query	Options and Query Returns
:SBUS<n>:UART:BASE <base> (see <a href="#">page 783</a> )	:SBUS<n>:UART:BASE? (see <a href="#">page 783</a> )	<base> ::= {ASCIi   BINary   HEX}
:SBUS<n>:UART:BAUDrate <baudrate> (see <a href="#">page 784</a> )	:SBUS<n>:UART:BAUDrate? (see <a href="#">page 784</a> )	<baudrate> ::= integer from 100 to 8000000
:SBUS<n>:UART:BITorder <bitorder> (see <a href="#">page 785</a> )	:SBUS<n>:UART:BITorder? (see <a href="#">page 785</a> )	<bitorder> ::= {LSBFirst   MSBFirst}
n/a	:SBUS<n>:UART:COUNT:ERRor? (see <a href="#">page 786</a> )	<frame_count> ::= integer in NR1 format
:SBUS<n>:UART:COUNT:RESet (see <a href="#">page 787</a> )	n/a	n/a
n/a	:SBUS<n>:UART:COUNT:RXFrames? (see <a href="#">page 788</a> )	<frame_count> ::= integer in NR1 format
n/a	:SBUS<n>:UART:COUNT:TXFrames? (see <a href="#">page 789</a> )	<frame_count> ::= integer in NR1 format
:SBUS<n>:UART:FRAMing <value> (see <a href="#">page 790</a> )	:SBUS<n>:UART:FRAMing? (see <a href="#">page 790</a> )	<value> ::= {OFF   <decimal>   <nondecimal>}  <decimal> ::= 8-bit integer from 0-255 (0x00-0xff)  <nondecimal> ::= #Hnn where n ::= {0,...,9   A,...,F} for hexadecimal  <nondecimal> ::= #Bnn...n where n ::= {0   1} for binary
:SBUS<n>:UART:PARity <parity> (see <a href="#">page 791</a> )	:SBUS<n>:UART:PARity? (see <a href="#">page 791</a> )	<parity> ::= {EVEN   ODD   NONE}
:SBUS<n>:UART:POLarity <polarity> (see <a href="#">page 792</a> )	:SBUS<n>:UART:POLarity? (see <a href="#">page 792</a> )	<polarity> ::= {HIGH   LOW}

**Table 109** :SBUS<n>:UART Commands Summary (continued)

Command	Query	Options and Query Returns
:SBUS<n>:UART:SOURce:RX <source> (see <a href="#">page 793</a> )	:SBUS<n>:UART:SOURce:RX? (see <a href="#">page 793</a> )	<source> ::= {CHANnel<n>   EXTernal} for DSO models <source> ::= {CHANnel<n>   DIGital<d>} for MSO models <n> ::= 1 to (# analog channels) in NR1 format <d> ::= 0 to (# digital channels - 1) in NR1 format
:SBUS<n>:UART:SOURce:TX <source> (see <a href="#">page 794</a> )	:SBUS<n>:UART:SOURce:TX? (see <a href="#">page 794</a> )	<source> ::= {CHANnel<n>   EXTernal} for DSO models <source> ::= {CHANnel<n>   DIGital<d>} for MSO models <n> ::= 1 to (# analog channels) in NR1 format <d> ::= 0 to (# digital channels - 1) in NR1 format
:SBUS<n>:UART:TRIGger:BASE <base> (see <a href="#">page 795</a> )	:SBUS<n>:UART:TRIGger:BASE? (see <a href="#">page 795</a> )	<base> ::= {ASCii   HEX}
:SBUS<n>:UART:TRIGger:BURSt <value> (see <a href="#">page 796</a> )	:SBUS<n>:UART:TRIGger:BURSt? (see <a href="#">page 796</a> )	<value> ::= {OFF   1 to 4096 in NR1 format}
:SBUS<n>:UART:TRIGger:DATA <value> (see <a href="#">page 797</a> )	:SBUS<n>:UART:TRIGger:DATA? (see <a href="#">page 797</a> )	<value> ::= 8-bit integer from 0-255 (0x00-0xff) in decimal, <hexadecimal>, <binary>, or <quoted_string> format <hexadecimal> ::= #Hnn where n ::= {0,...,9   A,...,F} for hexadecimal <binary> ::= #Bnn...n where n ::= {0   1} for binary <quoted_string> ::= any of the 128 valid 7-bit ASCII characters (or standard abbreviations)
:SBUS<n>:UART:TRIGger:IDLE <time_value> (see <a href="#">page 798</a> )	:SBUS<n>:UART:TRIGger:IDLE? (see <a href="#">page 798</a> )	<time_value> ::= time from 1 us to 10 s in NR3 format
:SBUS<n>:UART:TRIGger:QUALifier <value> (see <a href="#">page 799</a> )	:SBUS<n>:UART:TRIGger:QUALifier? (see <a href="#">page 799</a> )	<value> ::= {EQUal   NOTequal   GREATERthan   LESSthan}

**Table 109** :SBUS<n>:UART Commands Summary (continued)

Command	Query	Options and Query Returns
:SBUS<n>:UART:TRIGger :TYPE <value> (see page 800)	:SBUS<n>:UART:TRIGger :TYPE? (see page 800)	<value> ::= {RStArt   RStOp   RDATA   RD1   RD0   RDX   PARityerror   TStArt   TStOp   TDATA   TD1   TD0   TDX}
:SBUS<n>:UART:WIDTh <width> (see page 801)	:SBUS<n>:UART:WIDTh? (see page 801)	<width> ::= {5   6   7   8   9}

## :SBUS&lt;n&gt;:UART:BASE

**N** (see [page 1172](#))

**Command Syntax** :SBUS<n>:UART:BASE <base>

<base> ::= {ASCii | BINary | HEX}

The :SBUS<n>:UART:BASE command determines the base to use for the UART decode and Lister display.

**Query Syntax** :SBUS<n>:UART:BASE?

The :SBUS<n>:UART:BASE? query returns the current UART decode and Lister base setting.

**Return Format** <base><NL>

<base> ::= {ASCii | BINary | HEX}

**Errors** • ["-241, Hardware missing"](#) on page 1133

**See Also** • ["Introduction to :SBUS<n> Commands"](#) on page 653

• [":SBUS<n>:UART Commands"](#) on page 780

## :SBUS&lt;n&gt;:UART:BAUDrate

**N** (see [page 1172](#))

**Command Syntax** :SBUS<n>:UART:BAUDrate <baudrate>

<baudrate> ::= integer from 100 to 8000000

The :SBUS<n>:UART:BAUDrate command selects the bit rate (in bps) for the serial decoder and/or trigger when in UART mode. The baud rate can be set from 100 b/s to 8 Mb/s.

If the baud rate you select does not match the system baud rate, false triggers may occur.

**Query Syntax** :SBUS<n>:UART:BAUDrate?

The :SBUS<n>:UART:BAUDrate? query returns the current UART baud rate setting.

**Return Format** <baudrate><NL>

<baudrate> ::= integer from 100 to 8000000

- See Also**
- ["Introduction to :TRIGger Commands"](#) on page 911
  - [":TRIGger:MODE"](#) on page 920
  - [":SBUS<n>:UART:TRIGger:TYPE"](#) on page 800



## :SBUS&lt;n&gt;:UART:BITOrder

**N** (see [page 1172](#))

**Command Syntax** :SBUS<n>:UART:BITOrder <bitorder>

<bitorder> ::= {LSBFirst | MSBFirst}

The :SBUS<n>:UART:BITOrder command specifies the order of transmission used by the physical Tx and Rx input signals for the serial decoder and/or trigger when in UART mode. LSBFirst sets the least significant bit of each message "byte" as transmitted first. MSBFirst sets the most significant bit as transmitted first.

**Query Syntax** :SBUS<n>:UART:BITOrder?

The :SBUS<n>:UART:BITOrder? query returns the current UART bit order setting.

**Return Format** <bitorder><NL>

<bitorder> ::= {LSBF | MSBF}

- See Also**
- ["Introduction to :TRIGger Commands"](#) on page 911
  - [":TRIGger:MODE"](#) on page 920
  - [":SBUS<n>:UART:TRIGger:TYPE"](#) on page 800
  - [":SBUS<n>:UART:SOURce:RX"](#) on page 793
  - [":SBUS<n>:UART:SOURce:TX"](#) on page 794

## :SBUS<n>:UART:COUNT:ERRor

**N** (see [page 1172](#))

**Query Syntax** :SBUS<n>:UART:COUNT:ERRor?

Returns the UART error frame count.

**Return Format** <frame\_count><NL>

<frame\_count> ::= integer in NR1 format

**Errors** • ["-241, Hardware missing"](#) on page 1133

- See Also**
- [":SBUS<n>:UART:COUNT:RESet"](#) on page 787
  - ["Introduction to :SBUS<n> Commands"](#) on page 653
  - [":SBUS<n>:MODE"](#) on page 657
  - [":SBUS<n>:UART Commands"](#) on page 780

## :SBUS&lt;n&gt;:UART:COUNT:RESet

**N** (see [page 1172](#))

**Command Syntax** :SBUS<n>:UART:COUNT:RESet

Resets the UART frame counters.

**Errors** • ["-241, Hardware missing"](#) on page 1133

- See Also**
- [":SBUS<n>:UART:COUNT:ERRor"](#) on page 786
  - [":SBUS<n>:UART:COUNT:RXFRames"](#) on page 788
  - [":SBUS<n>:UART:COUNT:TXFRames"](#) on page 789
  - ["Introduction to :SBUS<n> Commands"](#) on page 653
  - [":SBUS<n>:MODE"](#) on page 657
  - [":SBUS<n>:UART Commands"](#) on page 780

## :SBUS<n>:UART:COUNT:RXFRames

**N** (see [page 1172](#))

**Query Syntax** :SBUS<n>:UART:COUNT:RXFRames?

Returns the UART Rx frame count.

**Return Format** <frame\_count><NL>

<frame\_count> ::= integer in NR1 format

**Errors** • ["-241, Hardware missing"](#) on page 1133

- See Also**
- [":SBUS<n>:UART:COUNT:RESet"](#) on page 787
  - ["Introduction to :SBUS<n> Commands"](#) on page 653
  - [":SBUS<n>:MODE"](#) on page 657
  - [":SBUS<n>:UART Commands"](#) on page 780

## :SBUS&lt;n&gt;:UART:COUNT:TXFRames

**N** (see [page 1172](#))

**Query Syntax** :SBUS<n>:UART:COUNT:TXFRames?

Returns the UART Tx frame count.

**Return Format** <frame\_count><NL>

<frame\_count> ::= integer in NR1 format

**Errors** • ["-241, Hardware missing"](#) on page 1133

- See Also**
- [":SBUS<n>:UART:COUNT:RESet"](#) on page 787
  - ["Introduction to :SBUS<n> Commands"](#) on page 653
  - [":SBUS<n>:MODE"](#) on page 657
  - [":SBUS<n>:UART Commands"](#) on page 780

## :SBUS&lt;n&gt;:UART:FRAMing

**N** (see [page 1172](#))

**Command Syntax** :SBUS<n>:UART:FRAMing <value>

<value> ::= {OFF | <decimal> | <nondecimal>}

<decimal> ::= 8-bit integer in decimal from 0-255 (0x00-0xff)

<nondecimal> ::= #Hnn where n ::= {0,...,9 | A,...,F} for hexadecimal

<nondecimal> ::= #Bnn...n where n ::= {0 | 1} for binary

The :SBUS<n>:UART:FRAMing command determines the byte value to use for framing (end of packet) or to turn off framing for UART decode.

**Query Syntax** :SBUS<n>:UART:FRAMing?

The :SBUS<n>:UART:FRAMing? query returns the current UART decode base setting.

**Return Format** <value><NL>

<value> ::= {OFF | <decimal>}

<decimal> ::= 8-bit integer in decimal from 0-255

**Errors** • ["-241, Hardware missing"](#) on page 1133

**See Also** • ["Introduction to :SBUS<n> Commands"](#) on page 653

• [":SBUS<n>:UART Commands"](#) on page 780

## :SBUS&lt;n&gt;:UART:PARity

**N** (see [page 1172](#))

**Command Syntax** :SBUS<n>:UART:PARity <parity>

<parity> ::= {EVEN | ODD | NONE}

The :SBUS<n>:UART:PARity command selects the parity to be used with each message "byte" for the serial decoder and/or trigger when in UART mode.

**Query Syntax** :SBUS<n>:UART:PARity?

The :SBUS<n>:UART:PARity? query returns the current UART parity setting.

**Return Format** <parity><NL>

<parity> ::= {EVEN | ODD | NONE}

- See Also**
- ["Introduction to :TRIGger Commands"](#) on page 911
  - [":TRIGger:MODE"](#) on page 920
  - [":SBUS<n>:UART:TRIGger:TYPE"](#) on page 800

## :SBUS&lt;n&gt;:UART:POLarity

**N** (see [page 1172](#))

**Command Syntax** :SBUS<n>:UART:POLarity <polarity>

<polarity> ::= {HIGH | LOW}

The :SBUS<n>:UART:POLarity command selects the polarity as idle low or idle high for the serial decoder and/or trigger when in UART mode.

**Query Syntax** :SBUS<n>:UART:POLarity?

The :SBUS<n>:UART:POLarity? query returns the current UART polarity setting.

**Return Format** <polarity><NL>

<polarity> ::= {HIGH | LOW}

- See Also**
- ["Introduction to :TRIGger Commands"](#) on page 911
  - [":TRIGger:MODE"](#) on page 920
  - [":SBUS<n>:UART:TRIGger:TYPE"](#) on page 800



## :SBUS&lt;n&gt;:UART:SOURce:RX

**N** (see [page 1172](#))

**Command Syntax** :SBUS<n>:UART:SOURce:RX <source>

<source> ::= {CHANnel<n> | EXTernal} for the DSO models

<source> ::= {CHANnel<n> | DIGital<d>} for the MSO models

<n> ::= 1 to (# analog channels) in NR1 format

<d> ::= 0 to (# digital channels - 1) in NR1 format

The :SBUS<n>:UART:SOURce:RX command controls which signal is used as the Rx source by the serial decoder and/or trigger when in UART mode.

**Query Syntax** :SBUS<n>:UART:SOURce:RX?

The :SBUS<n>:UART:SOURce:RX? query returns the current source for the UART Rx signal.

**Return Format** <source><NL>

- See Also**
- ["Introduction to :TRIGger Commands"](#) on page 911
  - [":TRIGger:MODE"](#) on page 920
  - [":SBUS<n>:UART:TRIGger:TYPE"](#) on page 800
  - [":SBUS<n>:UART:BITorder"](#) on page 785

**:SBUS<n>:UART:SOURce:TX**

**N** (see [page 1172](#))

**Command Syntax** :SBUS<n>:UART:SOURce:TX <source>

<source> ::= {CHANnel<n> | EXTernal} for the DSO models

<source> ::= {CHANnel<n> | DIGital<d>} for the MSO models

<n> ::= 1 to (# analog channels) in NR1 format

<d> ::= 0 to (# digital channels - 1) in NR1 format

The :SBUS<n>:UART:SOURce:TX command controls which signal is used as the Tx source by the serial decoder and/or trigger when in UART mode.

**Query Syntax** :SBUS<n>:UART:SOURce:TX?

The :SBUS<n>:UART:SOURce:TX? query returns the current source for the UART Tx signal.

**Return Format** <source><NL>

- See Also**
- ["Introduction to :TRIGger Commands"](#) on page 911
  - [":TRIGger:MODE"](#) on page 920
  - [":SBUS<n>:UART:TRIGger:TYPE"](#) on page 800
  - [":SBUS<n>:UART:BITorder"](#) on page 785

## :SBUS&lt;n&gt;:UART:TRIGger:BASE

**N** (see [page 1172](#))

**Command Syntax** :SBUS<n>:UART:TRIGger:BASE <base>

<base> ::= {ASCii | HEX}

The :SBUS<n>:UART:TRIGger:BASE command sets the front panel UART/RS232 trigger setup data selection option:

- ASCii – front panel data selection is from ASCII values.
- HEX – front panel data selection is from hexadecimal values.

The :SBUS<n>:UART:TRIGger:BASE setting does not affect the :SBUS<n>:UART:TRIGger:DATA command which can always set data values using ASCII or hexadecimal values.

**NOTE**

The :SBUS<n>:UART:TRIGger:BASE command is independent of the :SBUS<n>:UART:BASE command which affects decode and Lister only.

**Query Syntax** :SBUS<n>:UART:TRIGger:BASE?

The :SBUS<n>:UART:TRIGger:BASE? query returns the current UART base setting.

**Return Format** <base><NL>

<base> ::= {ASC | HEX}

- See Also**
- ["Introduction to :TRIGger Commands"](#) on page 911
  - [":TRIGger:MODE"](#) on page 920
  - [":SBUS<n>:UART:TRIGger:DATA"](#) on page 797

## :SBUS&lt;n&gt;:UART:TRIGger:BURSt

**N** (see [page 1172](#))

**Command Syntax** :SBUS<n>:UART:TRIGger:BURSt <value>

<value> ::= {OFF | 1 to 4096 in NR1 format}

The :SBUS<n>:UART:TRIGger:BURSt command selects the burst value (Nth frame after idle period) in the range 1 to 4096 or OFF, for the trigger when in UART mode.

**Query Syntax** :SBUS<n>:UART:TRIGger:BURSt?

The :SBUS<n>:UART:TRIGger:BURSt? query returns the current UART trigger burst value.

**Return Format** <value><NL>

<value> ::= {OFF | 1 to 4096 in NR1 format}

- See Also**
- ["Introduction to :TRIGger Commands"](#) on page 911
  - [":TRIGger:MODE"](#) on page 920
  - [":SBUS<n>:UART:TRIGger:IDLE"](#) on page 798
  - [":SBUS<n>:UART:TRIGger:TYPE"](#) on page 800

## :SBUS&lt;n&gt;:UART:TRIGger:DATA

**N** (see [page 1172](#))

**Command Syntax** :SBUS<n>:UART:TRIGger:DATA <value>

<value> ::= 8-bit integer from 0-255 (0x00-0xff) in decimal, <hexadecimal>, <binary>, or <quoted\_string> format

<hexadecimal> ::= #Hnn where n ::= {0,...,9 | A,...,F} for hexadecimal

<binary> ::= #Bnn...n where n ::= {0 | 1} for binary

<quoted\_string> ::= any of the 128 valid 7-bit ASCII characters (or standard abbreviations)

The :SBUS<n>:UART:TRIGger:DATA command selects the data byte value (0x00 to 0xFF) for the trigger QUALifier when in UART mode. The data value is used when one of the RD or TD trigger types is selected.

When entering an ASCII character via the quoted string, it must be one of the 128 valid characters (case-sensitive): "NUL", "SOH", "STX", "ETX", "EOT", "ENQ", "ACK", "BEL", "BS", "HT", "LF", "VT", "FF", "CR", "SO", "SI", "DLE", "DC1", "DC2", "DC3", "DC4", "NAK", "SYN", "ETB", "CAN", "EM", "SUB", "ESC", "FS", "GS", "RS", "US", "SP", "!", "\", "#", "\$", "%", "&", "\'", "(", ")", "\*", "+", ",", "-", ".", "/", "0", "1", "2", "3", "4", "5", "6", "7", "8", "9", ":", ";", "<", "=", ">", "?", "@", "A", "B", "C", "D", "E", "F", "G", "H", "I", "J", "K", "L", "M", "N", "O", "P", "Q", "R", "S", "T", "U", "V", "W", "X", "Y", "Z", "[", "\\", "]", "^", "\_", "`", "a", "b", "c", "d", "e", "f", "g", "h", "i", "j", "k", "l", "m", "n", "o", "p", "q", "r", "s", "t", "u", "v", "w", "x", "y", "z", "{", "|", "}", "~", or "DEL".

**Query Syntax** :SBUS<n>:UART:TRIGger:DATA?

The :SBUS<n>:UART:TRIGger:DATA? query returns the current UART trigger data value.

**Return Format** <value><NL>

<value> ::= 8-bit integer in decimal from 0-255

- See Also**
- ["Introduction to :TRIGger Commands"](#) on page 911
  - [":TRIGger:MODE"](#) on page 920
  - [":SBUS<n>:UART:TRIGger:BASE"](#) on page 795
  - [":SBUS<n>:UART:TRIGger:TYPE"](#) on page 800

## :SBUS&lt;n&gt;:UART:TRIGger:IDLE

**N** (see [page 1172](#))

**Command Syntax** :SBUS<n>:UART:TRIGger:IDLE <time\_value>

<time\_value> ::= time from 1 us to 10 s in NR3 format

The :SBUS<n>:UART:TRIGger:IDLE command selects the value of the idle period for burst trigger in the range from 1 us to 10 s when in UART mode.

**Query Syntax** :SBUS<n>:UART:TRIGger:IDLE?

The :SBUS<n>:UART:TRIGger:IDLE? query returns the current UART trigger idle period time.

**Return Format** <time\_value><NL>

<time\_value> ::= time from 1 us to 10 s in NR3 format

- See Also**
- ["Introduction to :TRIGger Commands"](#) on page 911
  - [":TRIGger:MODE"](#) on page 920
  - [":SBUS<n>:UART:TRIGger:BURSt"](#) on page 796
  - [":SBUS<n>:UART:TRIGger:TYPE"](#) on page 800

## :SBUS&lt;n&gt;:UART:TRIGger:QUALifier

**N** (see [page 1172](#))

**Command Syntax** :SBUS<n>:UART:TRIGger:QUALifier <value>

<value> ::= {EQUal | NOTequal | GREaterthan | LESSthan}

The :SBUS<n>:UART:TRIGger:QUALifier command selects the data qualifier when :TYPE is set to RDATA, RD1, RD0, RDX, TDATA, TD1, TD0, or TDX for the trigger when in UART mode.

**Query Syntax** :SBUS<n>:UART:TRIGger:QUALifier?

The :SBUS<n>:UART:TRIGger:QUALifier? query returns the current UART trigger qualifier.

**Return Format** <value><NL>

<value> ::= {EQU | NOT | GRE | LESS}

- See Also**
- ["Introduction to :TRIGger Commands"](#) on page 911
  - [":TRIGger:MODE"](#) on page 920
  - [":SBUS<n>:UART:TRIGger:TYPE"](#) on page 800

**:SBUS<n>:UART:TRIGger:TYPE**

**N** (see [page 1172](#))

**Command Syntax** :SBUS<n>:UART:TRIGger:TYPE <value>

<value> ::= {RSTArt | RSTOp | RDATa | RD1 | RD0 | RDX | PARityerror  
| TSTArt | TSTOp | TDATa | TD1 | TD0 | TDX}

The :SBUS<n>:UART:TRIGger:TYPE command selects the UART trigger type.

When one of the RD or TD types is selected, the :SBUS<n>:UART:TRIGger:DATA and :SBUS<n>:UART:TRIGger:QUALifier commands are used to specify the data value and comparison operator.

The RD1, RD0, RDX, TD1, TD0, and TDX types (for triggering on data and alert bit values) are only valid when a 9-bit width has been selected.

**Query Syntax** :SBUS<n>:UART:TRIGger:TYPE?

The :SBUS<n>:UART:TRIGger:TYPE? query returns the current UART trigger data value.

**Return Format** <value><NL>

<value> ::= {RSTA | RSTO | RDAT | RD1 | RD0 | RDX | PAR | TSTA |  
TSTO | TDAT | TD1 | TD0 | TDX}

- See Also**
- ["Introduction to :TRIGger Commands"](#) on page 911
  - [":TRIGger:MODE"](#) on page 920
  - [":SBUS<n>:UART:TRIGger:DATA"](#) on page 797
  - [":SBUS<n>:UART:TRIGger:QUALifier"](#) on page 799
  - [":SBUS<n>:UART:WIDTH"](#) on page 801



## :SBUS&lt;n&gt;:UART:WIDTh

**N** (see [page 1172](#))

**Command Syntax** :SBUS<n>:UART:WIDTh <width>  
 <width> ::= {5 | 6 | 7 | 8 | 9}

The :SBUS<n>:UART:WIDTh command determines the number of bits (5-9) for each message "byte" for the serial decoder and/or trigger when in UART mode.

**Query Syntax** :SBUS<n>:UART:WIDTh?

The :SBUS<n>:UART:WIDTh? query returns the current UART width setting.

**Return Format** <width><NL>  
 <width> ::= {5 | 6 | 7 | 8 | 9}

- See Also**
- ["Introduction to :TRIGger Commands"](#) on page 911
  - [":TRIGger:MODE"](#) on page 920
  - [":SBUS<n>:UART:TRIGger:TYPE"](#) on page 800



## 28 :SEARCh Commands

Control the event search modes and parameters for each search type. See:

- **"General :SEARCh Commands"** on page 804
- **":SEARCh:EDGE Commands"** on page 808
- **":SEARCh:GLITCh Commands"** on page 811 (Pulse Width search)
- **":SEARCh:RUNT Commands"** on page 818
- **":SEARCh:TRANSition Commands"** on page 823
- **":SEARCh:SERial:A429 Commands"** on page 828
- **":SEARCh:SERial:CAN Commands"** on page 834
- **":SEARCh:SERial:FLEXray Commands"** on page 840
- **":SEARCh:SERial:I2S Commands"** on page 846
- **":SEARCh:SERial:IIC Commands"** on page 852
- **":SEARCh:SERial:LIN Commands"** on page 859
- **":SEARCh:SERial:M1553 Commands"** on page 865
- **":SEARCh:SERial:SPI Commands"** on page 869
- **":SEARCh:SERial:UART Commands"** on page 873

## General :SEARCH Commands

**Table 110** General :SEARCH Commands Summary

Command	Query	Options and Query Returns
n/a	:SEARCH:COUNT? (see <a href="#">page 805</a> )	<count> ::= an integer count value
:SEARCH:MODE <value> (see <a href="#">page 806</a> )	:SEARCH:MODE? (see <a href="#">page 806</a> )	<value> ::= {EDGE   GLITCh   RUNT   TRANSition   SERIAL{1   2}}
:SEARCH:STATE <value> (see <a href="#">page 807</a> )	:SEARCH:STATE? (see <a href="#">page 807</a> )	<value> ::= {{0   OFF}   {1   ON}}

## :SEARCh:COUNT

**N** (see [page 1172](#))

**Query Syntax** :SEARCh:COUNT?

The :SEARCh:COUNT? query returns the number of search events found.

**Return Format** <count><NL>

<count> ::= an integer count value

**See Also** • [Chapter 28](#), “:SEARCh Commands,” starting on page 803

## :SEARCh:MODE

**N** (see [page 1172](#))

**Command Syntax** :SEARCh:MODE <value>  
 <value> ::= {EDGE | GLITCh | RUNT | TRANsition | SERial{1 | 2}}

The :SEARCh:MODE command selects the search mode.

The command is only valid when the :SEARCh:STATe is ON.

**Query Syntax** :SEARCh:MODE?

The :SEARCh:MODE? query returns the currently selected mode or OFF if the :SEARCh:STATe is OFF.

**Return Format** <value><NL>  
 <value> ::= {EDGE | GLIT | RUNT | TRAN | SER{1 | 2} | OFF}

- See Also**
- [Chapter 28](#), “:SEARCh Commands,” starting on page 803
  - [":SEARCh:STATe"](#) on page 807

## :SEARCh:STATe

**N** (see [page 1172](#))

**Command Syntax** :SEARCh:STATe <value>

<value> ::= {{0 | OFF} | {1 | ON}}

The :SEARCh:STATe command enables or disables the search feature.

**Query Syntax** :SEARCh:STATe?

The :SEARCh:STATe? query returns returns the current setting.

**Return Format** <value><NL>

<value> ::= {0 | 1}

- See Also**
- [Chapter 28](#), “:SEARCh Commands,” starting on page 803
  - [":SEARCh:MODE"](#) on page 806

## :SEARCh:EDGE Commands

**Table 111** :SEARCh:EDGE Commands Summary

Command	Query	Options and Query Returns
:SEARCh:EDGE:SLOPe <slope> (see <a href="#">page 809</a> )	:SEARCh:EDGE:SLOPe? (see <a href="#">page 809</a> )	<slope> ::= {POSitive   NEGative   EITHer}
:SEARCh:EDGE:SOURce <source> (see <a href="#">page 810</a> )	:SEARCh:EDGE:SOURce? (see <a href="#">page 810</a> )	<source> ::= CHANnel<n> <n> ::= 1 to (# analog channels) in NR1 format



## :SEARch:EDGE:SLOPe

**N** (see [page 1172](#))

**Command Syntax** :SEARch:EDGE:SLOPe <slope>

<slope> ::= {NEGative | POSitive | EITHer}

The :SEARch:EDGE:SLOPe command specifies the slope of the edge for the search.

**Query Syntax** :SEARch:EDGE:SLOPe?

The :SEARch:EDGE:SLOPe? query returns the current slope setting.

**Return Format** <slope><NL>

<slope> ::= {NEG | POS | EITH}

**See Also** • [Chapter 28](#), “:SEARch Commands,” starting on page 803

## :SEARch:EDGE:SOURce

**N** (see [page 1172](#))

**Command Syntax** :SEARch:EDGE:SOURce <source>

<source> ::= CHANnel<n>

<n> ::= 1 to (# analog channels) in NR1 format

The :SEARch:EDGE:SOURce command selects the channel on which to search for edges.

**Query Syntax** :SEARch:EDGE:SOURce?

The :SEARch:EDGE:SOURce? query returns the current source.

**Return Format** <source><NL>

<source> ::= CHAN<n>

**See Also** • [Chapter 28](#), “:SEARch Commands,” starting on page 803

## :SEARCh:GLITCh Commands

**Table 112** :SEARCh:GLITCh Commands Summary

Command	Query	Options and Query Returns
:SEARCh:GLITCh:GREate rthan <greater_than_time>[s uffix] (see <a href="#">page 812</a> )	:SEARCh:GLITCh:GREate rthan? (see <a href="#">page 812</a> )	<greater_than_time> ::= floating-point number in NR3 format [suffix] ::= {s   ms   us   ns   ps}
:SEARCh:GLITCh:LESSt han <less_than_time>[suff ix] (see <a href="#">page 813</a> )	:SEARCh:GLITCh:LESSt han? (see <a href="#">page 813</a> )	<less_than_time> ::= floating-point number in NR3 format [suffix] ::= {s   ms   us   ns   ps}
:SEARCh:GLITCh:POLari ty <polarity> (see <a href="#">page 814</a> )	:SEARCh:GLITCh:POLari ty? (see <a href="#">page 814</a> )	<polarity> ::= {POSitive   NEGative}
:SEARCh:GLITCh:QUALif ier <qualifier> (see <a href="#">page 815</a> )	:SEARCh:GLITCh:QUALif ier? (see <a href="#">page 815</a> )	<qualifier> ::= {GREaterthan   LESSthan   RANGE}
:SEARCh:GLITCh:RANGE <less_than_time>[suff ix], <greater_than_time>[s uffix] (see <a href="#">page 816</a> )	:SEARCh:GLITCh:RANGE? (see <a href="#">page 816</a> )	<less_than_time> ::= 15 ns to 10 seconds in NR3 format <greater_than_time> ::= 10 ns to 9.99 seconds in NR3 format [suffix] ::= {s   ms   us   ns   ps}
:SEARCh:GLITCh:SOURce <source> (see <a href="#">page 817</a> )	:SEARCh:GLITCh:SOURce ? (see <a href="#">page 817</a> )	<source> ::= CHANNEL<n> <n> ::= 1 to (# analog channels) in NR1 format

## :SEARCH:GLITCh:GREaterthan

**N** (see [page 1172](#))

**Command Syntax** :SEARCH:GLITCh:GREaterthan <greater\_than\_time>[<suffix>]

<greater\_than\_time> ::= floating-point number in NR3 format

<suffix> ::= {s | ms | us | ns | ps}

The :SEARCH:GLITCh:GREaterthan command sets the minimum pulse width duration for the selected :SEARCH:GLITCh:SOURce.

**Query Syntax** :SEARCH:GLITCh:GREaterthan?

The :SEARCH:GLITCh:GREaterthan? query returns the minimum pulse width duration time for :SEARCH:GLITCh:SOURce.

**Return Format** <greater\_than\_time><NL>

<greater\_than\_time> ::= floating-point number in NR3 format.

- See Also**
- [Chapter 28](#), “:SEARCH Commands,” starting on page 803
  - [":SEARCH:GLITCh:SOURce"](#) on page 817
  - [":SEARCH:GLITCh:QUALifier"](#) on page 815
  - [":SEARCH:MODE"](#) on page 806

## :SEARCh:GLITCh:LESSthan

**N** (see [page 1172](#))

- Command Syntax** :SEARCh:GLITCh:LESSthan <less\_than\_time>[<suffix>]  
 <less\_than\_time> ::= floating-point number in NR3 format  
 <suffix> ::= {s | ms | us | ns | ps}
- The :SEARCh:GLITCh:LESSthan command sets the maximum pulse width duration for the selected :SEARCh:GLITCh:SOURce.
- Query Syntax** :SEARCh:GLITCh:LESSthan?
- The :SEARCh:GLITCh:LESSthan? query returns the pulse width duration time for :SEARCh:GLITCh:SOURce.
- Return Format** <less\_than\_time><NL>  
 <less\_than\_time> ::= floating-point number in NR3 format.
- See Also**
- [Chapter 28](#), “:SEARCh Commands,” starting on page 803
  - [":SEARCh:GLITCh:SOURce"](#) on page 817
  - [":SEARCh:GLITCh:QUALifier"](#) on page 815
  - [":SEARCh:MODE"](#) on page 806

## :SEARch:GLITch:POLarity

**N** (see [page 1172](#))

**Command Syntax** :SEARch:GLITch:POLarity <polarity>  
 <polarity> ::= {POSitive | NEGative}

The :SEARch:GLITch:POLarity command sets the polarity for the glitch (pulse width) search.

**Query Syntax** :SEARch:GLITch:POLarity?

The :SEARch:GLITch:POLarity? query returns the current polarity setting for the glitch (pulse width) search.

**Return Format** <polarity><NL>  
 <polarity> ::= {POS | NEG}

- See Also**
- [Chapter 28](#), “:SEARch Commands,” starting on page 803
  - [":SEARch:MODE"](#) on page 806
  - [":SEARch:GLITch:SOURce"](#) on page 817

## :SEARCh:GLITCh:QUALifier

**N** (see [page 1172](#))

**Command Syntax** :SEARCh:GLITCh:QUALifier <operator>

<operator> ::= {GREATERthan | LESSthan | RANGE}

This command sets the mode of operation of the glitch (pulse width) search. The oscilloscope can search for a pulse width that is greater than a time value, less than a time value, or within a range of time values.

**Query Syntax** :SEARCh:GLITCh:QUALifier?

The :SEARCh:GLITCh:QUALifier? query returns the glitch (pulse width) qualifier.

**Return Format** <operator><NL>

<operator> ::= {GRE | LESS | RANG}

- See Also**
- [Chapter 28](#), “:SEARCh Commands,” starting on page 803
  - [":SEARCh:GLITCh:SOURce"](#) on page 817
  - [":SEARCh:MODE"](#) on page 806





## :SEARCh:GLITCh:SOURce

**N** (see [page 1172](#))

**Command Syntax** :SEARCh:GLITCh:SOURce <source>

<source> ::= CHANnel<n>

<n> ::= 1 to (# analog channels) in NR1 format

The :SEARCh:GLITCh:SOURce command selects the channel on which to search for glitches (pulse widths).

**Query Syntax** :SEARCh:GLITCh:SOURce?

The :SEARCh:GLITCh:SOURce? query returns the current pulse width source.

If all channels are off, the query returns "NONE."

**Return Format** <source><NL>

- See Also**
- [Chapter 28](#), “:SEARCh Commands,” starting on page 803
  - [Chapter 28](#), “:SEARCh Commands,” starting on page 803
  - [":SEARCh:MODE"](#) on page 806
  - [":SEARCh:GLITCh:POLarity"](#) on page 814
  - [":SEARCh:GLITCh:QUALifier"](#) on page 815
  - [":SEARCh:GLITCh:RANGe"](#) on page 816

## :SEARCH:RUNT Commands

**Table 113** :SEARCH:RUNT Commands Summary

Command	Query	Options and Query Returns
:SEARCH:RUNT:POLarity <polarity> (see page 819)	:SEARCH:RUNT:POLarity ? (see page 819)	<polarity> ::= {POSitive   NEGative   EITHER}
:SEARCH:RUNT:QUALifie r <qualifier> (see page 820)	:SEARCH:RUNT:QUALifie r? (see page 820)	<qualifier> ::= {GREaterthan   LESSthan   NONE}
:SEARCH:RUNT:SOURce <source> (see page 821)	:SEARCH:RUNT:SOURce? (see page 821)	<source> ::= CHANnel<n> <n> ::= 1 to (# analog channels) in NR1 format
:SEARCH:RUNT:TIME <time>[suffix] (see page 822)	:SEARCH:RUNT:TIME? (see page 822)	<time> ::= floating-point number in NR3 format [suffix] ::= {s   ms   us   ns   ps}

## :SEARCh:RUNT:POLarity

**N** (see [page 1172](#))

**Command Syntax** :SEARCh:RUNT:POLarity <slope>

<polarity> ::= {POSitive | NEGative | EITHer}

The :SEARCh:RUNT:POLarity command sets the polarity for the runt search.

**Query Syntax** :SEARCh:RUNT:POLarity?

The :SEARCh:RUNT:POLarity? query returns the currently set runt polarity.

**Return Format** <slope><NL>

<polarity> ::= {POS | NEG | EITH}

- See Also**
- [Chapter 28](#), “:SEARCh Commands,” starting on page 803
  - [":SEARCh:MODE"](#) on page 806
  - [":SEARCh:RUNT:SOURce"](#) on page 821

## :SEARCh:RUNT:QUALifier

**N** (see [page 1172](#))

**Command Syntax** :SEARCh:RUNT:QUALifier <qualifier>

<qualifier> ::= {GREATERthan | LESSthan | NONE}

The :SEARCh:RUNT:QUALifier command specifies whether to search for a runt that is greater than a time value, less than a time value, or any time value.

**Query Syntax** :SEARCh:RUNT:QUALifier?

The :SEARCh:RUNT:QUALifier? query returns the current runt search qualifier.

**Return Format** <qualifier><NL>

<qualifier> ::= {GRE | LESS NONE}

- See Also**
- [Chapter 28](#), “:SEARCh Commands,” starting on page 803
  - [":SEARCh:MODE"](#) on page 806

## :SEARCh:RUNT:SOURce

**N** (see [page 1172](#))

**Command Syntax** :SEARCh:RUNT:SOURce <source>

<source> ::= CHANnel<n>

<n> ::= 1 to (# analog channels) in NR1 format

The :SEARCh:RUNT:SOURce command selects the channel on which to search for the runt pulse.

**Query Syntax** :SEARCh:RUNT:SOURce?

The :SEARCh:RUNT:SOURce? query returns the current runt search source.

**Return Format** <source><NL>

<source> ::= CHAN<n>

- See Also**
- [Chapter 28](#), “:SEARCh Commands,” starting on page 803
  - [":SEARCh:RUNT:POLarity"](#) on page 819

## :SEARCH:RUNT:TIME

**N** (see [page 1172](#))

**Command Syntax** :SEARCH:RUNT:TIME <time>[suffix]

<time> ::= floating-point number in NR3 format

[suffix] ::= {s | ms | us | ns | ps}

When searching for runt pulses whose widths are greater than or less than a time (see :SEARCH:RUNT:QUALifier), the :SEARCH:RUNT:TIME command specifies the time value.

**Query Syntax** :SEARCH:RUNT:TIME?

The :SEARCH:RUNT:TIME? query returns the currently specified runt time value.

**Return Format** <time><NL>

<time> ::= floating-point number in NR3 format

- See Also**
- [Chapter 28](#), “:SEARCH Commands,” starting on page 803
  - [":SEARCH:RUNT:QUALifier"](#) on page 820

## :SEARCh:TRANsition Commands

**Table 114** :SEARCh:TRANsition Commands Summary

Command	Query	Options and Query Returns
:SEARCh:TRANsition:QU ALifier <qualifier> (see <a href="#">page 824</a> )	:SEARCh:TRANsition:QU ALifier? (see <a href="#">page 824</a> )	<qualifier> ::= {GREATERthan   LESSthan}
:SEARCh:TRANsition:SL OPe <slope> (see <a href="#">page 825</a> )	:SEARCh:TRANsition:SL OPe? (see <a href="#">page 825</a> )	<slope> ::= {NEGative   POSitive}
:SEARCh:TRANsition:SO URce <source> (see <a href="#">page 826</a> )	:SEARCh:TRANsition:SO URce? (see <a href="#">page 826</a> )	<source> ::= CHANnel<n> <n> ::= 1 to (# analog channels) in NR1 format
:SEARCh:TRANsition:TI ME <time>[suffix] (see <a href="#">page 827</a> )	:SEARCh:TRANsition:TI ME? (see <a href="#">page 827</a> )	<time> ::= floating-point number in NR3 format [suffix] ::= {s   ms   us   ns   ps}

## :SEARCH:TRANSition:QUALifier

**N** (see [page 1172](#))

**Command Syntax** :SEARCH:TRANSition:QUALifier <qualifier>  
 <qualifier> ::= {GREATERthan | LESSthan}

The :SEARCH:TRANSition:QUALifier command specifies whether to search for edge transitions greater than or less than a time.

**Query Syntax** :SEARCH:TRANSition:QUALifier?

The :SEARCH:TRANSition:QUALifier? query returns the current transition search qualifier.

**Return Format** <qualifier><NL>  
 <qualifier> ::= {GRE | LESS}

- See Also**
- [Chapter 28](#), “:SEARCH Commands,” starting on page 803
  - [":SEARCH:MODE"](#) on page 806
  - [":SEARCH:TRANSition:TIME"](#) on page 827



## :SEARCh:TRANSition:SLOPe

**N** (see [page 1172](#))

**Command Syntax** :SEARCh:TRANSition:SLOPe <slope>

<slope> ::= {NEGative | POSitive}

The :SEARCh:TRANSition:SLOPe command selects whether to search for rising edge (POSitive slope) transitions or falling edge (NEGative slope) transitions.

**Query Syntax** :SEARCh:TRANSition:SLOPe?

The :SEARCh:TRANSition:SLOPe? query returns the current transition search slope setting.

**Return Format** <slope><NL>

<slope> ::= {NEG | POS}

- See Also**
- [Chapter 28](#), “:SEARCh Commands,” starting on page 803
  - [":SEARCh:MODE"](#) on page 806
  - [":SEARCh:TRANSition:SOURce"](#) on page 826
  - [":SEARCh:TRANSition:TIME"](#) on page 827

## :SEARCh:TRANSition:SOURce

**N** (see [page 1172](#))

**Command Syntax** :SEARCh:TRANSition:SOURce <source>

<source> ::= CHANnel<n>

<n> ::= 1 to (# analog channels) in NR1 format

The :SEARCh:TRANSition:SOURce command selects the channel on which to search for edge transitions.

**Query Syntax** :SEARCh:TRANSition:SOURce?

The :SEARCh:TRANSition:SOURce? query returns the current transition search source.

**Return Format** <source><NL>

<source> ::= CHAN<n>

- See Also**
- [Chapter 28](#), “:SEARCh Commands,” starting on page 803
  - [":SEARCh:MODE"](#) on page 806
  - [":SEARCh:TRANSition:SLOPe"](#) on page 825

## :SEARCh:TRANSition:TIME

**N** (see [page 1172](#))

**Command Syntax** :SEARCh:TRANSition:TIME <time>[suffix]

<time> ::= floating-point number in NR3 format

[suffix] ::= {s | ms | us | ns | ps}

The :SEARCh:TRANSition:TIME command sets the time of the transition to search for. You can search for transitions greater than or less than this time.

**Query Syntax** :SEARCh:TRANSition:TIME?

The :SEARCh:TRANSition:TIME? query returns the current transition time value.

**Return Format** <time><NL>

<time> ::= floating-point number in NR3 format

- See Also**
- [Chapter 28](#), “:SEARCh Commands,” starting on page 803
  - [":SEARCh:TRANSition:QUALifier"](#) on page 824

## :SEARCH:SERIAL:A429 Commands

**Table 115** :SEARCH:SERIAL:A429 Commands Summary

Command	Query	Options and Query Returns
:SEARCH:SERIAL:A429:LABel <value> (see <a href="#">page 829</a> )	:SEARCH:SERIAL:A429:LABel? (see <a href="#">page 829</a> )	<value> ::= 8-bit integer in decimal, <hex>, <octal>, or <string> from 0-255  <hex> ::= #Hnn where n ::= {0,...,9   A,...,F}  <octal> ::= #Qnnn where n ::= {0,...,7}  <string> ::= "0xnn" where n ::= {0,...,9   A,...,F}
:SEARCH:SERIAL:A429:MODE <condition> (see <a href="#">page 830</a> )	:SEARCH:SERIAL:A429:MODE? (see <a href="#">page 830</a> )	<condition> ::= {LABel   LBITs   PERRor   WERRor   GERRor   WGERrors   ALLerrors}
:SEARCH:SERIAL:A429:PATTern:DATA <string> (see <a href="#">page 831</a> )	:SEARCH:SERIAL:A429:PATTern:DATA? (see <a href="#">page 831</a> )	<string> ::= "nn...n" where n ::= {0   1}, length depends on FORMat
:SEARCH:SERIAL:A429:PATTern:SDI <string> (see <a href="#">page 832</a> )	:SEARCH:SERIAL:A429:PATTern:SDI? (see <a href="#">page 832</a> )	<string> ::= "nn" where n ::= {0   1}, length always 2 bits
:SEARCH:SERIAL:A429:PATTern:SSM <string> (see <a href="#">page 833</a> )	:SEARCH:SERIAL:A429:PATTern:SSM? (see <a href="#">page 833</a> )	<string> ::= "nn" where n ::= {0   1}, length always 2 bits

## :SEARCh:SERial:A429:LABel

**N** (see [page 1172](#))

**Command Syntax** :SEARCh:SERial:A429:LABel <value>

<value> ::= 8-bit integer in decimal, <hex>, <octal>, or <string>  
from 0-255

<hex> ::= #Hnn where n ::= {0,...,9 | A,...,F}

<octal> ::= #Qnnn where n ::= {0,...,7}

<string> ::= "0xnn" where n ::= {0,...,9 | A,...,F}

The :SEARCh:SERial:A429:LABel command defines the ARINC 429 label value when labels are used in the selected search mode.

**Query Syntax** :SEARCh:SERial:A429:LABel?

The :SEARCh:SERial:A429:LABel? query returns the current label value in decimal format.

**Return Format** <value><NL> in decimal format

**Errors** · ["-241, Hardware missing"](#) on page 1133

**See Also** · ["Introduction to :TRIGger Commands"](#) on page 911

· [":SEARCh:SERial:A429:MODE"](#) on page 830

## :SEARCH:SERIAL:A429:MODE

**N** (see [page 1172](#))

**Command Syntax** :SEARCH:SERIAL:A429:MODE <condition>

<condition> ::= { LABEL | LBITs | PERRor | WERRor | GERRor | WGERrors  
| ALLerrors }

The :SEARCH:SERIAL:A429:MODE command selects the type of ARINC 429 information to find in the Lister display:

- LABEL – finds the specified label value.
- LBITs – finds the label and the other word fields as specified.
- PERRor – finds words with a parity error.
- WERRor – finds an intra-word coding error.
- GERRor – finds an inter-word gap error.
- WGERrors – finds either a Word or Gap Error.
- ALLerrors – finds any of the above errors.

**Query Syntax** :SEARCH:SERIAL:A429:MODE?

The :SEARCH:SERIAL:A429:MODE? query returns the current ARINC 429 search mode condition.

**Return Format** <condition><NL>

<condition> ::= { LAB | LBIT | PERR | WERR | GERR | WGER | ALL }

**Errors** • ["-241, Hardware missing"](#) on page 1133

- See Also**
- ["Introduction to :SBUS<n> Commands"](#) on page 653
  - [":SBUS<n>:MODE"](#) on page 657
  - [":SEARCH:SERIAL:A429:LABEL"](#) on page 829
  - [":SEARCH:SERIAL:A429:PATTERN:DATA"](#) on page 831
  - [":SEARCH:SERIAL:A429:PATTERN:SDI"](#) on page 832
  - [":SEARCH:SERIAL:A429:PATTERN:SSM"](#) on page 833
  - [":SBUS<n>:A429:SOURce"](#) on page 667

## :SEARCh:SERial:A429:PATtern:DATA

**N** (see [page 1172](#))

**Command Syntax** :SEARCh:SERial:A429:PATtern:DATA <string>

<string> ::= "nn...n" where n ::= {0 | 1}, length depends on FORMat

The :SEARCh:SERial:A429:PATtern:DATA command defines the ARINC 429 data pattern resource according to the string parameter. This pattern controls the data pattern searched for in each ARINC 429 word.

**NOTE**

If more bits are sent for <string> than specified by the :SBUS<n>:A429:FORMat command, the most significant bits will be truncated.

**Query Syntax** :SEARCh:SERial:A429:PATtern:DATA?

The :SEARCh:SERial:A429:PATtern:DATA? query returns the current settings of the specified ARINC 429 data pattern resource in the binary string format.

**Return Format** <string><NL>

**Errors** · ["-241, Hardware missing"](#) on page 1133

**See Also** · ["Introduction to :TRIGger Commands"](#) on page 911  
 · [":SEARCh:SERial:A429:MODE"](#) on page 830  
 · [":SEARCh:SERial:A429:PATtern:SDI"](#) on page 832  
 · [":SEARCh:SERial:A429:PATtern:SSM"](#) on page 833

## :SEARCH:SERIAL:A429:PATTERN:SDI

**N** (see [page 1172](#))

**Command Syntax** :SEARCH:SERIAL:A429:PATTERN:SDI <string>

<string> ::= "nn" where n ::= {0 | 1}, length always 2 bits

The :SEARCH:SERIAL:A429:PATTERN:SDI command defines the ARINC 429 two-bit SDI pattern resource according to the string parameter. This pattern controls the SDI pattern searched for in each ARINC 429 word.

The specified SDI is only used if the :SBUS<n>:A429:FORMAT includes the SDI field.

**Query Syntax** :SEARCH:SERIAL:A429:PATTERN:SDI?

The :SEARCH:SERIAL:A429:PATTERN:SDI? query returns the current settings of the specified ARINC 429 two-bit SDI pattern resource in the binary string format.

**Return Format** <string><NL>

**Errors** · ["-241, Hardware missing"](#) on page 1133

- See Also** · ["Introduction to :TRIGGER Commands"](#) on page 911
- [":SBUS<n>:A429:FORMAT"](#) on page 665
  - [":SEARCH:SERIAL:A429:MODE"](#) on page 830
  - [":SEARCH:SERIAL:A429:PATTERN:DATA"](#) on page 831
  - [":SEARCH:SERIAL:A429:PATTERN:SSM"](#) on page 833



## :SEARCh:SERial:A429:PATtern:SSM

**N** (see [page 1172](#))

**Command Syntax** :SEARCh:SERial:A429:PATtern:SSM <string>

<string> ::= "nn" where n ::= {0 | 1}, length always 2 bits

The :SEARCh:SERial:A429:PATtern:SSM command defines the ARINC 429 two-bit SSM pattern resource according to the string parameter. This pattern controls the SSM pattern searched for in each ARINC 429 word.

The specified SSM is only used if the :SBUS<n>:A429:FORMat includes the SSM field.

**Query Syntax** :SEARCh:SERial:A429:PATtern:SSM?

The :SEARCh:SERial:A429:PATtern:SSM? query returns the current settings of the specified ARINC 429 two-bit SSM pattern resource in the binary string format.

**Return Format** <string><NL>

**Errors** · ["-241, Hardware missing"](#) on page 1133

- See Also** · ["Introduction to :TRIGger Commands"](#) on page 911
- [":SBUS<n>:A429:FORMat"](#) on page 665
  - [":SEARCh:SERial:A429:MODE"](#) on page 830
  - [":SEARCh:SERial:A429:PATtern:DATA"](#) on page 831
  - [":SEARCh:SERial:A429:PATtern:SDI"](#) on page 832

## :SEARCH:SERIAL:CAN Commands

**Table 116** :SEARCH:SERIAL:CAN Commands Summary

Command	Query	Options and Query Returns
:SEARCH:SERIAL:CAN:MODE <value> (see <a href="#">page 835</a> )	:SEARCH:SERIAL:CAN:MODE? (see <a href="#">page 835</a> )	<value> ::= {DATA   IDData   IDEither   IDRemote   ALLerrors   OVERload   ERROR}
:SEARCH:SERIAL:CAN:PA TTern:DATA <string> (see <a href="#">page 836</a> )	:SEARCH:SERIAL:CAN:PA TTern:DATA? (see <a href="#">page 836</a> )	<string> ::= "0xnn...n" where n ::= {0,...,9   A,...,F   X} for hexadecimal
:SEARCH:SERIAL:CAN:PA TTern:DATA:LENGTH <length> (see <a href="#">page 837</a> )	:SEARCH:SERIAL:CAN:PA TTern:DATA:LENGTH? (see <a href="#">page 837</a> )	<length> ::= integer from 1 to 8 in NR1 format
:SEARCH:SERIAL:CAN:PA TTern:ID <string> (see <a href="#">page 838</a> )	:SEARCH:SERIAL:CAN:PA TTern:ID? (see <a href="#">page 838</a> )	<string> ::= "0xnn...n" where n ::= {0,...,9   A,...,F   X} for hexadecimal
:SEARCH:SERIAL:CAN:PA TTern:ID:MODE <value> (see <a href="#">page 839</a> )	:SEARCH:SERIAL:CAN:PA TTern:ID:MODE? (see <a href="#">page 839</a> )	<value> ::= {STANDARD   EXTENDED}

## :SEARCh:SERial:CAN:MODE

**N** (see [page 1172](#))

**Command Syntax** :SEARCh:SERial:CAN:MODE <value>

```
<value> ::= {DATA | IDData | IDEither | IDRemote | ALLerrors
             | OVERload | ERRor}
```

The :SEARCh:SERial:CAN:MODE command selects the type of CAN information to find in the Lister display:

- DATA - searches for CAN Data frames matching the specified ID, Data, and the DLC (Data length code).
- IDData - searches for CAN frames matching the specified ID of a Data frame.
- IDEither - searches for the specified ID, regardless if it is a Remote frame or a Data frame.
- IDRemote - searches for CAN frames matching the specified ID of a Remote frame.
- ALLerrors - searches for CAN active error frames and unknown bus conditions.
- OVERload - searches for CAN overload frames.
- ERRor - searches for CAN Error frame.

**Query Syntax** :SEARCh:SERial:CAN:MODE?

The :SEARCh:SERial:CAN:MODE? query returns the currently selected mode.

**Return Format** <value><NL>

```
<value> ::= {DATA | IDD | IDE | IDR | ALL | OVER | ERR}
```

- See Also**
- [Chapter 28](#), “:SEARCh Commands,” starting on page 803
  - [":SEARCh:SERial:CAN:PATtern:DATA"](#) on page 836
  - [":SEARCh:SERial:CAN:PATtern:ID"](#) on page 838

## :SEARCH:SERIAL:CAN:PATTERN:DATA

**N** (see [page 1172](#))

**Command Syntax** :SEARCH:SERIAL:CAN:PATTERN:DATA <string>

<string> ::= "0xnn...n" where n ::= {0,...,9 | A,...,F | X}  
for hexadecimal

The :SEARCH:SERIAL:CAN:PATTERN:DATA command specifies the data value when searching for Data Frame ID and Data.

The length of the data value is specified using the :SEARCH:SERIAL:CAN:PATTERN:DATA:LENGTH command.

**Query Syntax** :SEARCH:SERIAL:CAN:PATTERN:DATA?

The :SEARCH:SERIAL:CAN:PATTERN:DATA? query returns the current data value setting.

**Return Format** <string><NL>

<string> ::= "0xnn...n" where n ::= {0,...,9 | A,...,F | X}  
for hexadecimal

- See Also**
- [Chapter 28](#), “:SEARCH Commands,” starting on page 803
  - [":SEARCH:SERIAL:CAN:MODE"](#) on page 835
  - [":SEARCH:SERIAL:CAN:PATTERN:DATA:LENGTH"](#) on page 837

## :SEARCh:SERial:CAN:PATtern:DATA:LENGth

**N** (see [page 1172](#))

**Command Syntax** :SEARCh:SERial:CAN:PATtern:DATA:LENGth <length>

<length> ::= integer from 1 to 8 in NR1 format

The :SEARCh:SERial:CAN:PATtern:DATA:LENGth command specifies the length of the data value when searching for Data Frame ID and Data.

The data value is specified using the :SEARCh:SERial:CAN:PATtern:DATA command.

**Query Syntax** :SEARCh:SERial:CAN:PATtern:DATA:LENGth?

The :SEARCh:SERial:CAN:PATtern:DATA:LENGth? query returns the current data length setting.

**Return Format** <length><NL>

<length> ::= integer from 1 to 8 in NR1 format

- See Also**
- [Chapter 28](#), “:SEARCh Commands,” starting on page 803
  - [":SEARCh:SERial:CAN:MODE"](#) on page 835
  - [":SEARCh:SERial:CAN:PATtern:DATA"](#) on page 836

## :SEARCH:SERIAL:CAN:PATTERN:ID

**N** (see [page 1172](#))

**Command Syntax** :SEARCH:SERIAL:CAN:PATTERN:ID <string>

<string> ::= "0xnn...n" where n ::= {0,...,9 | A,...,F | X}  
for hexadecimal

The :SEARCH:SERIAL:CAN:PATTERN:ID command specifies the ID value when searching for a CAN event.

The value can be a standard ID or an extended ID, depending on the :SEARCH:SERIAL:CAN:PATTERN:ID:MODE command's setting.

**Query Syntax** :SEARCH:SERIAL:CAN:PATTERN:ID?

The :SEARCH:SERIAL:CAN:PATTERN:ID? query returns the current ID value setting.

**Return Format** <string><NL>

<string> ::= "0xnn...n" where n ::= {0,...,9 | A,...,F | X}  
for hexadecimal

- See Also**
- [Chapter 28](#), “:SEARCH Commands,” starting on page 803
  - [":SEARCH:SERIAL:CAN:MODE"](#) on page 835
  - [":SEARCH:SERIAL:CAN:PATTERN:ID:MODE"](#) on page 839

## :SEARCh:SERial:CAN:PATtern:ID:MODE

**N** (see [page 1172](#))

**Command Syntax** :SEARCh:SERial:CAN:PATtern:ID:MODE <value>

<value> ::= {STANdard | EXTended}

The :SEARCh:SERial:CAN:PATtern:ID:MODE command specifies whether a standard ID value or an extended ID value is used when searching for a CAN event.

The ID value is specified using the :SEARCh:SERial:CAN:PATtern:ID command.

**Query Syntax** :SEARCh:SERial:CAN:PATtern:ID:MODE?

The :SEARCh:SERial:CAN:PATtern:ID:MODE? query returns the current setting.

**Return Format** <value><NL>

<value> ::= {STAN | EXT}

- See Also**
- [Chapter 28](#), “:SEARCh Commands,” starting on page 803
  - [":SEARCh:SERial:CAN:MODE"](#) on page 835
  - [":SEARCh:SERial:CAN:PATtern:ID"](#) on page 838

## :SEARCH:SERIAL:FLEXray Commands

**Table 117** :SEARCH:SERIAL:FLEXray Commands Summary

Command	Query	Options and Query Returns
:SEARCH:SERIAL:FLEXray:CYCLE <cycle> (see <a href="#">page 841</a> )	:SEARCH:SERIAL:FLEXray:CYCLE? (see <a href="#">page 841</a> )	<cycle> ::= {ALL   <cycle #>} <cycle #> ::= integer from 0-63
:SEARCH:SERIAL:FLEXray:DATA <string> (see <a href="#">page 842</a> )	:SEARCH:SERIAL:FLEXray:DATA? (see <a href="#">page 842</a> )	<string> ::= "0xnn...n" where n ::= {0,...,9   A,...,F   X }
:SEARCH:SERIAL:FLEXray:DATA:LENGTH <length> (see <a href="#">page 843</a> )	:SEARCH:SERIAL:FLEXray:DATA:LENGTH? (see <a href="#">page 843</a> )	<length> ::= integer from 1 to 12 in NR1 format
:SEARCH:SERIAL:FLEXray:FRAME <frame id> (see <a href="#">page 844</a> )	:SEARCH:SERIAL:FLEXray:FRAME? (see <a href="#">page 844</a> )	<frame_id> ::= {ALL   <frame #>} <frame #> ::= integer from 1-2047
:SEARCH:SERIAL:FLEXray:MODE <value> (see <a href="#">page 845</a> )	:SEARCH:SERIAL:FLEXray:MODE? (see <a href="#">page 845</a> )	<value> ::= {FRAME   CYCLE   DATA   HERRor   FERRor   AERRor}



## :SEARCh:SERial:FLEXray:CYCLe

**N** (see [page 1172](#))

**Command Syntax** :SEARCh:SERial:FLEXray:CYCLe <cycle>

<cycle> ::= {ALL | <cycle #>}

<cycle #> ::= integer from 0-63

The :SEARCh:SERial:FLEXray:CYCLe command specifies the cycle value to find when searching for FlexRay frames.

A cycle value of -1 is the same as ALL.

**Query Syntax** :SEARCh:SERial:FLEXray:CYCLe?

The :SEARCh:SERial:FLEXray:CYCLe? query returns the current cycle value setting.

**Return Format** <cycle><NL>

<cycle> ::= {ALL | <cycle #>}

<cycle #> ::= integer from 0-63

- See Also**
- [Chapter 28](#), “:SEARCh Commands,” starting on page 803
  - [":SEARCh:SERial:FLEXray:MODE"](#) on page 845

## :SEARCh:SERial:FLEXray:DATA

**N** (see [page 1172](#))

**Command Syntax** :SEARCh:SERial:FLEXray:DATA <string>

<string> ::= "0xnn...n" where n ::= {0,...,9 | A,...,F | X }

The :SEARCh:SERial:FLEXray:DATA command specifies the data value to find when searching for FlexRay frames.

The length of the data value is specified by the :SEARCh:SERial:FLEXray:DATA:LENGth command.

**Query Syntax** :SEARCh:SERial:FLEXray:DATA?

The :SEARCh:SERial:FLEXray:DATA? query returns the current data value setting.

**Return Format** <string><NL>

<string> ::= "0xnn...n" where n ::= {0,...,9 | A,...,F | X }

- See Also**
- [Chapter 28](#), “:SEARCh Commands,” starting on page 803
  - [":SEARCh:SERial:FLEXray:MODE"](#) on page 845
  - [":SEARCh:SERial:FLEXray:DATA:LENGth"](#) on page 843

## :SEARCh:SERial:FLEXray:DATA:LENGth

**N** (see [page 1172](#))

**Command Syntax** :SEARCh:SERial:FLEXray:DATA:LENGth <length>

<length> ::= integer from 1 to 12 in NR1 format

The :SEARCh:SERial:FLEXray:DATA:LENGth command specifies the length of data values when searching for FlexRay frames.

The data value is specified using the :SEARCh:SERial:FLEXray:DATA command.

**Query Syntax** :SEARCh:SERial:FLEXray:DATA:LENGth?

The :SEARCh:SERial:FLEXray:DATA:LENGth? query returns the current data length setting.

**Return Format** <length><NL>

<length> ::= integer from 1 to 12 in NR1 format

- See Also**
- [Chapter 28](#), “:SEARCh Commands,” starting on page 803
  - [":SEARCh:SERial:FLEXray:MODE"](#) on page 845
  - [":SEARCh:SERial:FLEXray:DATA"](#) on page 842

## :SEARCH:SERIAL:FLEXray:FRAME

**N** (see [page 1172](#))

**Command Syntax** :SEARCH:SERIAL:FLEXray:FRAME <frame\_id>

<frame\_id> ::= {ALL | <frame #>}

<frame #> ::= integer from 1-2047

The :SEARCH:SERIAL:FLEXray:FRAME command specifies the frame ID value to find when searching for FlexRay frames.

**Query Syntax** :SEARCH:SERIAL:FLEXray:FRAME?

The :SEARCH:SERIAL:FLEXray:FRAME? query returns the current frame ID setting.

**Return Format** <frame\_id><NL>

<frame\_id> ::= {ALL | <frame #>}

<frame #> ::= integer from 1-2047

- See Also**
- [Chapter 28](#), “:SEARCH Commands,” starting on page 803
  - [":SEARCH:SERIAL:FLEXray:MODE"](#) on page 845

## :SEARCh:SERial:FLEXray:MODE

**N** (see [page 1172](#))

**Command Syntax** :SEARCh:SERial:FLEXray:MODE <value>

<value> := {FRAME | CYCLe | DATA | HERRor | FERRor | AERRor}

The :SEARCh:SERial:FLEXray:MODE command selects the type of FlexRay information to find in the Lister display:

- FRAME – searches for FlexRay frames with the specified frame ID.
- CYCLe – searches for FlexRay frames with the specified cycle number and frame ID.
- DATA – searches for FlexRay frames with the specified data, cycle number, and frame ID.
- HERRor – searches for header CRC errors.
- FERRor – searches for frame CRC errors.
- AERRor – searches for all errors.

**Query Syntax** :SEARCh:SERial:FLEXray:MODE?

The :SEARCh:SERial:FLEXray:MODE? query returns the currently selected mode.

**Return Format** <value><NL>

<value> := {FRAM | CYCL | DATA | HERR | FERR | AERR}

- See Also**
- [Chapter 28](#), “:SEARCh Commands,” starting on page 803
  - [":SEARCh:SERial:FLEXray:FRAME"](#) on page 844
  - [":SEARCh:SERial:FLEXray:CYCLe"](#) on page 841
  - [":SEARCh:SERial:FLEXray:DATA"](#) on page 842

## :SEARCH:SERIAL:I2S Commands

**Table 118** :SEARCH:SERIAL:I2S Commands Summary

Command	Query	Options and Query Returns
:SEARCH:SERIAL:I2S:AUDIO <audio_ch> (see <a href="#">page 847</a> )	:SEARCH:SERIAL:I2S:AUDIO? (see <a href="#">page 847</a> )	<audio_ch> ::= {RIGHT   LEFT   EITHER}
:SEARCH:SERIAL:I2S:MODE <value> (see <a href="#">page 848</a> )	:SEARCH:SERIAL:I2S:MODE? (see <a href="#">page 848</a> )	<value> ::= {EQUAL   NOTEQUAL   LESSTHAN   GREATERTHAN   INRANGE   OTRANGE}
:SEARCH:SERIAL:I2S:PARTtern:DATA <string> (see <a href="#">page 849</a> )	:SEARCH:SERIAL:I2S:PARTtern:DATA? (see <a href="#">page 849</a> )	<string> ::= "n" where n ::= 32-bit integer in signed decimal when <base> = DECIMAL <string> ::= "nn...n" where n ::= {0   1   X} when <base> = BINARY <string> ::= "0xnn...n" where n ::= {0,...,9   A,...,F   X} when <base> = HEX
:SEARCH:SERIAL:I2S:PARTtern:FORMAt <base> (see <a href="#">page 850</a> )	:SEARCH:SERIAL:I2S:PARTtern:FORMAt? (see <a href="#">page 850</a> )	<base> ::= {BINARY   HEX   DECIMAL}
:SEARCH:SERIAL:I2S:RANGE <lower>, <upper> (see <a href="#">page 851</a> )	:SEARCH:SERIAL:I2S:RANGE? (see <a href="#">page 851</a> )	<lower> ::= 32-bit integer in signed decimal, <nondecimal>, or <string> <upper> ::= 32-bit integer in signed decimal, <nondecimal>, or <string> <nondecimal> ::= #Hnn...n where n ::= {0,...,9   A,...,F} for hexadecimal <nondecimal> ::= #Bnn...n where n ::= {0   1} for binary <string> ::= "0xnn...n" where n ::= {0,...,9   A,...,F} for hexadecimal

## :SEARCh:SERial:I2S:AUDio

**N** (see [page 1172](#))

**Command Syntax** :SEARCh:SERial:I2S:AUDio <audio\_ch>

<audio\_ch> ::= {RIGHT | LEFT | EITHER}

The :SEARCh:SERial:I2S:AUDio command specifies the channel on which to search for I2S events: right, left, or either channel.

**Query Syntax** :SEARCh:SERial:I2S:AUDio?

The :SEARCh:SERial:I2S:AUDio? query returns the current channel setting.

**Return Format** <audio\_ch><NL>

<audio\_ch> ::= {RIGH | LEFT | EITH}

- See Also**
- [Chapter 28](#), “:SEARCh Commands,” starting on page 803
  - [":SEARCh:SERial:I2S:MODE"](#) on page 848

**:SEARCH:SERIAL:I2S:MODE**

**N** (see [page 1172](#))

**Command Syntax** :SEARCH:SERIAL:I2S:MODE <value>

<value> ::= {EQUAL | NOTequal | LESSthan | GREATERthan | INRange  
| OUTRange}

The :SEARCH:SERIAL:I2S:MODE command selects the type of I2S information to find in the Lister display:

- EQUAL— searches for the specified audio channel's data word when it equals the specified word.
- NOTequal – searches for any word other than the specified word.
- LESSthan – searches for channel data words less than the specified value.
- GREATERthan – searches for channel data words greater than the specified value.
- INRange – searches for channel data words in the range.
- OUTRange – searches for channel data words outside the range.

Data word values are specified using the :SEARCH:SERIAL:I2S:PATTERN:DATA command.

Value ranges are specified using the :SEARCH:SERIAL:I2S:RANGE command.

**Query Syntax** :SEARCH:SERIAL:I2S:MODE?

The :SEARCH:SERIAL:I2S:MODE? query returns the currently selected mode.

**Return Format** <value><NL>

<value> ::= {EQU | NOT | LESS | GRE | INR | OUTR}

- See Also**
- [Chapter 28](#), “:SEARCH Commands,” starting on page 803
  - [":SEARCH:SERIAL:I2S:PATTERN:DATA"](#) on page 849
  - [":SEARCH:SERIAL:I2S:RANGE"](#) on page 851
  - [":SEARCH:SERIAL:I2S:AUDIO"](#) on page 847



## :SEARCh:SERial:I2S:PATtern:DATA

**N** (see [page 1172](#))

**Command Syntax** :SEARCh:SERial:I2S:PATtern:DATA <string>

<string> ::= "n" where n ::= 32-bit integer in signed decimal  
when <base> = DECimal

<string> ::= "nn...n" where n ::= {0 | 1 | X} when <base> = BINary

<string> ::= "0xnn...n" where n ::= {0,...,9 | A,...,F | X}  
when <base> = HEX

The :SEARCh:SERial:I2S:PATtern:DATA command specifies the data word value when searching for I2S events.

The base of the value entered with this command is specified using the :SEARCh:SERial:I2S:PATtern:FORMat command.

**Query Syntax** :SEARCh:SERial:I2S:PATtern:DATA?

The :SEARCh:SERial:I2S:PATtern:DATA? query returns the current data word value setting.

**Return Format** <string><NL>

<string> ::= "n" where n ::= 32-bit integer in signed decimal  
when <base> = DECimal

<string> ::= "nn...n" where n ::= {0 | 1 | X} when <base> = BINary

<string> ::= "0xnn...n" where n ::= {0,...,9 | A,...,F | X}  
when <base> = HEX

- See Also**
- [Chapter 28](#), “:SEARCh Commands,” starting on page 803
  - [":SEARCh:SERial:I2S:MODE"](#) on page 848
  - [":SEARCh:SERial:I2S:PATtern:FORMat"](#) on page 850

## :SEARCH:SERIAL:I2S:PATTERN:FORMAT

**N** (see [page 1172](#))

**Command Syntax** :SEARCH:SERIAL:I2S:PATTERN:FORMAT <base>

<base> ::= {BINARY | HEX | DECIMAL}

The :SEARCH:SERIAL:I2S:PATTERN:FORMAT command specifies the number base used with the :SEARCH:SERIAL:I2S:PATTERN:DATA command.

**Query Syntax** :SEARCH:SERIAL:I2S:PATTERN:FORMAT?

The :SEARCH:SERIAL:I2S:PATTERN:FORMAT? query returns the current number base setting.

**Return Format** <base><NL>

<base> ::= {BIN | HEX | DEC}

- See Also**
- [Chapter 28](#), “:SEARCH Commands,” starting on page 803
  - [":SEARCH:SERIAL:I2S:PATTERN:DATA"](#) on page 849

## :SEARCh:SERial:I2S:RANGe

**N** (see [page 1172](#))

**Command Syntax** :SEARCh:SERial:I2S:RANGe <lower>, <upper>

<lower> ::= 32-bit integer in signed decimal, <nondecimal>, or <string>

<upper> ::= 32-bit integer in signed decimal, <nondecimal>, or <string>

<nondecimal> ::= #Hnn...n where n ::= {0,...,9 | A,...,F} for hexadecimal

<nondecimal> ::= #Bnn...n where n ::= {0 | 1} for binary

<string> ::= "0xnn...n" where n ::= {0,...,9 | A,...,F} for hexadecimal

The :SEARCh:SERial:I2S:RANGe command specifies the data value range when searching for I2S events in the INRange and OUTRange search modes (set by the :SEARCh:SERial:I2S:MODE command).

You can enter the parameters in any order – the smaller value becomes the <lower> and the larger value becomes the <upper>.

**Query Syntax** :SEARCh:SERial:I2S:RANGe?

The :SEARCh:SERial:I2S:RANGe? query returns the current data value range setting.

**Return Format** <lower>, <upper><NL>

<lower> ::= 32-bit integer in signed decimal

<upper> ::= 32-bit integer in signed decimal

- See Also**
- [Chapter 28](#), “:SEARCh Commands,” starting on page 803
  - [":SEARCh:SERial:I2S:MODE"](#) on page 848

## :SEARCH:SERIAL:IIC Commands

**Table 119** :SEARCH:SERIAL:IIC Commands Summary

Command	Query	Options and Query Returns
:SEARCH:SERIAL:IIC:MODE <value> (see <a href="#">page 853</a> )	:SEARCH:SERIAL:IIC:MODE? (see <a href="#">page 853</a> )	<value> ::= { READ7   WRITE7   NACKnowledge   ANACK   R7Data2   W7Data2   REStart   READEprom }
:SEARCH:SERIAL:IIC:PAATtern:ADDRESS <value> (see <a href="#">page 855</a> )	:SEARCH:SERIAL:IIC:PAATtern:ADDRESS? (see <a href="#">page 855</a> )	<value> ::= integer or <string> <string> ::= "0xnn" n ::= {0,...,9   A,...,F}
:SEARCH:SERIAL:IIC:PAATtern:DATA <value> (see <a href="#">page 856</a> )	:SEARCH:SERIAL:IIC:PAATtern:DATA? (see <a href="#">page 856</a> )	<value> ::= integer or <string> <string> ::= "0xnn" n ::= {0,...,9   A,...,F}
:SEARCH:SERIAL:IIC:PAATtern:DATA2 <value> (see <a href="#">page 857</a> )	:SEARCH:SERIAL:IIC:PAATtern:DATA2? (see <a href="#">page 857</a> )	<value> ::= integer or <string> <string> ::= "0xnn" n ::= {0,...,9   A,...,F}
:SEARCH:SERIAL:IIC:QUALifier <value> (see <a href="#">page 858</a> )	:SEARCH:SERIAL:IIC:QUALifier? (see <a href="#">page 858</a> )	<value> ::= {EQUal   NOTequal   LESSthan   GREATERthan}

## :SEARCh:SERial:IIC:MODE

**N** (see [page 1172](#))

**Command Syntax** :SEARCh:SERial:IIC:MODE <value>

```
<value> ::= {READ7 | WRITe7 | NACKnowledge | ANACK | R7Data2
            | W7Data2 | REStart | READEprom}
```

The :SEARCh:SERial:IIC:MODE command selects the type of IIC information to find in the Lister display:

- READ7 – searches for 7-bit address frames containing Start:Address7:Read:Ack:Data. The value READ is also accepted for READ7.
- WRITe7 – searches for 7-bit address frames containing Start:Address7:Write:Ack:Data. The value WRITe is also accepted for WRITe7.
- NACKnowledge – searches for missing acknowledge events.
- ANACK – searches for address with no acknowledge events.
- R7Data2 – searches for 7-bit address frames containing Start:Address7:Read:Ack:Data:Ack:Data2.
- W7Data2 – searches for 7-bit address frames containing Start:Address7:Write:Ack:Data:Ack:Data2.
- REStart – searches for another start condition occurring before a stop condition.
- READEprom – searches for EEPROM data reads.

**NOTE**

The short form of READ7 (READ7), READEprom (READE), and WRITe7 (WRIT7) do not follow the defined Long Form to Short Form Truncation Rules (see [page 1174](#)).

When searching for events containing addresses, address values are specified using the :SEARCh:SERial:IIC:PATtern:ADDReSS command.

When searching for events containing data, data values are specified using the :SEARCh:SERial:IIC:PATtern:DATA and :SEARCh:SERial:IIC:PATtern:DATA2 commands.

**Query Syntax** :SEARCh:SERial:IIC:MODE?

The :SEARCh:SERial:IIC:MODE? query returns the currently selected mode.

**Return Format** <value><NL>

```
<value> ::= {READ7 | WRITe7 | NACK | ANAC | R7D2 | W7D2 | REST
            | READE}
```

- See Also**
- [Chapter 28](#), “:SEARCh Commands,” starting on page 803
  - [":SEARCh:SERial:IIC:PATtern:ADDReSS"](#) on page 855

- **":SEARch:SERial:IC:PATtern:DATA"** on page 856
- **":SEARch:SERial:IC:PATtern:DATA2"** on page 857
- **":SEARch:SERial:IC:QUALifier"** on page 858

## :SEARCh:SERial:IIC:PATTErn:ADDReSS

**N** (see [page 1172](#))

**Command Syntax** :SEARCh:SERial:IIC:PATTErn:ADDReSS <value>

<value> ::= integer or <string>

<string> ::= "0xnn" n ::= {0,...,9 | A,...,F}

The :SEARCh:SERial:IIC:PATTErn:ADDReSS command specifies address values when searching for IIC events.

To set don't care values, use the integer -1.

**Query Syntax** :SEARCh:SERial:IIC:PATTErn:ADDReSS?

The :SEARCh:SERial:IIC:PATTErn:ADDReSS? query returns the current address value setting.

**Return Format** <value><NL>

<value> ::= integer

- See Also**
- [Chapter 28](#), “:SEARCh Commands,” starting on page 803
  - [":SEARCh:SERial:IIC:MODE"](#) on page 853

## :SEARCH:SERIAL:IIC:PATTERN:DATA

**N** (see [page 1172](#))

**Command Syntax** :SEARCH:SERIAL:IIC:PATTERN:DATA <value>

<value> ::= integer or <string>

<string> ::= "0xnn" n ::= {0,...,9 | A,...,F}

The :SEARCH:SERIAL:IIC:PATTERN:DATA command specifies data values when searching for IIC events.

To set don't care values, use the integer -1.

When searching for IIC EEPROM data read events, you specify the data value qualifier using the :SEARCH:SERIAL:IIC:QUALIFIER command.

**Query Syntax** :SEARCH:SERIAL:IIC:PATTERN:DATA?

The :SEARCH:SERIAL:IIC:PATTERN:DATA? query returns the current data value setting.

**Return Format** <value><NL>

<value> ::= integer

- See Also**
- [Chapter 28](#), “:SEARCH Commands,” starting on page 803
  - [":SEARCH:SERIAL:IIC:MODE"](#) on page 853
  - [":SEARCH:SERIAL:IIC:QUALIFIER"](#) on page 858
  - [":SEARCH:SERIAL:IIC:PATTERN:DATA2"](#) on page 857



## :SEARCh:SERial:IIC:PATtern:DATA2

**N** (see [page 1172](#))

**Command Syntax** :SEARCh:SERial:IIC:PATtern:DATA2 <value>

<value> ::= integer or <string>

<string> ::= "0xnn" n ::= {0,...,9 | A,...,F}

The :SEARCh:SERial:IIC:PATtern:DATA2 command specifies the second data value when searching for IIC events with two data values.

To set don't care values, use the integer -1.

**Query Syntax** :SEARCh:SERial:IIC:PATtern:DATA2?

The :SEARCh:SERial:IIC:PATtern:DATA2? query returns the current second data value setting.

**Return Format** <value><NL>

<value> ::= integer

- See Also**
- [Chapter 28](#), “:SEARCh Commands,” starting on page 803
  - [":SEARCh:SERial:IIC:MODE"](#) on page 853
  - [":SEARCh:SERial:IIC:PATtern:DATA"](#) on page 856

## :SEARCh:SERial:IIC:QUALifier

**N** (see [page 1172](#))

**Command Syntax** :SEARCh:SERial:IIC:QUALifier <value>

<value> ::= {EQUal | NOTequal | LESSthan | GREaterthan}

The :SEARCh:SERial:IIC:QUALifier command specifies the data value qualifier used when searching for IIC EEPROM data read events.

**Query Syntax** :SEARCh:SERial:IIC:QUALifier?

The :SEARCh:SERial:IIC:QUALifier? query returns the current data value qualifier setting.

**Return Format** <value><NL>

<value> ::= {EQU | NOT | LESS | GRE}

- See Also**
- [Chapter 28](#), “:SEARCh Commands,” starting on page 803
  - [":SEARCh:SERial:IIC:MODE"](#) on page 853
  - [":SEARCh:SERial:IIC:PATtern:DATA"](#) on page 856

## :SEARCh:SERIAL:LIN Commands

**Table 120** :SEARCh:SERIAL:LIN Commands Summary

Command	Query	Options and Query Returns
:SEARCh:SERIAL:LIN:ID <value> (see <a href="#">page 860</a> )	:SEARCh:SERIAL:LIN:ID ? (see <a href="#">page 860</a> )	<value> ::= 7-bit integer in decimal, <nondecimal>, or <string> from 0-63 or 0x00-0x3f (with Option AMS)  <nondecimal> ::= #Hnn where n ::= {0,...,9   A,...,F} for hexadecimal <nondecimal> ::= #Bnn...n where n ::= {0   1} for binary <string> ::= "0xnn" where n ::= {0,...,9   A,...,F} for hexadecimal
:SEARCh:SERIAL:LIN:MODE <value> (see <a href="#">page 861</a> )	:SEARCh:SERIAL:LIN:MODE? (see <a href="#">page 861</a> )	<value> ::= {ID   DATA   ERRor}
:SEARCh:SERIAL:LIN:PATTERN:DATA <string> (see <a href="#">page 862</a> )	:SEARCh:SERIAL:LIN:PATTERN:DATA? (see <a href="#">page 862</a> )	When :SEARCh:SERIAL:LIN:PATTERN:FORMAT DECimal, <string> ::= "n" where n ::= 32-bit integer in unsigned decimal, returns "\$" if data has any don't cares  When :SEARCh:SERIAL:LIN:PATTERN:FORMAT HEX, <string> ::= "0xnn...n" where n ::= {0,...,9   A,...,F   X }
:SEARCh:SERIAL:LIN:PATTERN:DATA:LENGTH <length> (see <a href="#">page 863</a> )	:SEARCh:SERIAL:LIN:PATTERN:DATA:LENGTH? (see <a href="#">page 863</a> )	<length> ::= integer from 1 to 8 in NR1 format
:SEARCh:SERIAL:LIN:PATTERN:FORMAT <base> (see <a href="#">page 864</a> )	:SEARCh:SERIAL:LIN:PATTERN:FORMAT? (see <a href="#">page 864</a> )	<base> ::= {HEX   DECimal}

## :SEARCH:SERIAL:LIN:ID

**N** (see [page 1172](#))

**Command Syntax** :SEARCH:SERIAL:LIN:ID <value>

<value> ::= 7-bit integer in decimal, <nondecimal>, or <string>  
from 0-63 or 0x00-0x3f (with Option AMS)

<nondecimal> ::= #Hnn where n ::= {0,...,9 | A,...,F} for hexadecimal

<nondecimal> ::= #Bnn...n where n ::= {0 | 1} for binary

<string> ::= "0xnn" where n ::= {0,...,9 | A,...,F} for hexadecimal

The :SEARCH:SERIAL:LIN:ID command specifies the frame ID value when searching for LIN events.

**Query Syntax** :SEARCH:SERIAL:LIN:ID?

The :SEARCH:SERIAL:LIN:ID? query returns the current frame ID setting.

**Return Format** <value><NL>

<value> ::= 7-bit integer in decimal (with Option AMS)

- See Also**
- [Chapter 28](#), “:SEARCH Commands,” starting on page 803
  - [":SEARCH:SERIAL:LIN:MODE"](#) on page 861

## :SEARCh:SERial:LIN:MODE

**N** (see [page 1172](#))

**Command Syntax** :SEARCh:SERial:LIN:MODE <value>

<value> ::= {ID | DATA | ERRor}

The :SEARCh:SERial:LIN:MODE command selects the type of LIN information to find in the Lister display:

- ID – searches for a frame ID.
- DATA – searches for a frame ID and data.
- ERRor – searches for errors.

Frame IDs are specified using the :SEARCh:SERial:LIN:ID command.

Data values are specified using the :SEARCh:SERial:LIN:PATtern:DATA command.

**Query Syntax** :SEARCh:SERial:LIN:MODE?

The :SEARCh:SERial:LIN:MODE? query returns the currently selected mode.

**Return Format** <value><NL>

<value> ::= {ID | DATA | ERR}

- See Also**
- [Chapter 28](#), “:SEARCh Commands,” starting on page 803
  - [":SEARCh:SERial:LIN:ID"](#) on page 860
  - [":SEARCh:SERial:LIN:PATtern:DATA"](#) on page 862

## :SEARCH:SERIAL:LIN:PATTERN:DATA

**N** (see [page 1172](#))

**Command Syntax** :SEARCH:SERIAL:LIN:PATTERN:DATA <string>

When :SEARCH:SERIAL:LIN:PATTERN:FORMAT DECIMAL,  
<string> ::= "n" where n ::= 32-bit integer in unsigned decimal

When :SEARCH:SERIAL:LIN:PATTERN:FORMAT HEX,  
<string> ::= "0xnn...n" where n ::= {0,...,9 | A,...,F | X }

The :SEARCH:SERIAL:LIN:PATTERN:DATA command specifies the data value when searching for LIN events.

The number base of the value entered with this command is specified using the :SEARCH:SERIAL:LIN:PATTERN:FORMAT command. To set don't care values with the DATA command, the FORMAT must be HEX.

The length of the data value entered is specified using the :SEARCH:SERIAL:LIN:PATTERN:DATA:LENGTH command.

**Query Syntax** :SEARCH:SERIAL:LIN:PATTERN:DATA?

The :SEARCH:SERIAL:LIN:PATTERN:DATA? query returns the current data value setting.

**Return Format** <string><NL>

When :SEARCH:SERIAL:LIN:PATTERN:FORMAT DECIMAL,  
<string> ::= "n" where n ::= 32-bit integer in unsigned decimal or "\$" if data has any don't cares

When :SEARCH:SERIAL:LIN:PATTERN:FORMAT HEX,  
<string> ::= "0xnn...n" where n ::= {0,...,9 | A,...,F | X }

- See Also**
- [Chapter 28](#), “:SEARCH Commands,” starting on page 803
  - [":SEARCH:SERIAL:LIN:MODE"](#) on page 861
  - [":SEARCH:SERIAL:LIN:PATTERN:FORMAT"](#) on page 864
  - [":SEARCH:SERIAL:LIN:PATTERN:DATA:LENGTH"](#) on page 863

## :SEARCh:SERial:LIN:PATtern:DATA:LENGth

**N** (see [page 1172](#))

**Command Syntax** :SEARCh:SERial:LIN:PATtern:DATA:LENGth <length>

<length> ::= integer from 1 to 8 in NR1 format

The :SEARCh:SERial:LIN:PATtern:DATA:LENGth command specifies the the length of the data value when searching for LIN events.

The data value is specified using the :SEARCh:SERial:LIN:PATtern:DATA command.

**Query Syntax** :SEARCh:SERial:LIN:PATtern:DATA:LENGth?

The :SEARCh:SERial:LIN:PATtern:DATA:LENGth? query returns the current data value length setting.

**Return Format** <length><NL>

<length> ::= integer from 1 to 8 in NR1 format

- See Also**
- [Chapter 28](#), “:SEARCh Commands,” starting on page 803
  - [":SEARCh:SERial:LIN:PATtern:DATA"](#) on page 862

## :SEARCh:SERial:LIN:PATtern:FORMat

**N** (see [page 1172](#))

**Command Syntax** :SEARCh:SERial:LIN:PATtern:FORMat <base>

<base> ::= {HEX | DECimal}

The :SEARCh:SERial:LIN:PATtern:FORMat command specifies the number base used with the :SEARCh:SERial:LIN:PATtern:DATA command.

**Query Syntax** :SEARCh:SERial:LIN:PATtern:FORMat?

The :SEARCh:SERial:LIN:PATtern:FORMat? query returns the current number base setting.

**Return Format** <base><NL>

<base> ::= {HEX | DEC}

- See Also**
- [Chapter 28](#), “:SEARCh Commands,” starting on page 803
  - [":SEARCh:SERial:LIN:PATtern:DATA"](#) on page 862



## :SEARCh:SERial:M1553 Commands

**Table 121** :SEARCh:SERial:M1553 Commands Summary

Command	Query	Options and Query Returns
:SEARCh:SERial:M1553:MODE <value> (see <a href="#">page 866</a> )	:SEARCh:SERial:M1553:MODE? (see <a href="#">page 866</a> )	<value> ::= {DStArt   CStArt   RTA   RTA11   PERRor   SERRor   MERRor}
:SEARCh:SERial:M1553:PATtern:DATA <string> (see <a href="#">page 867</a> )	:SEARCh:SERial:M1553:PATtern:DATA? (see <a href="#">page 867</a> )	<string> ::= "nn...n" where n ::= {0   1}
:SEARCh:SERial:M1553:RTA <value> (see <a href="#">page 868</a> )	:SEARCh:SERial:M1553:RTA? (see <a href="#">page 868</a> )	<value> ::= 5-bit integer in decimal, <hexadecimal>, <binary>, or <string> from 0-31 < hexadecimal > ::= #Hnn where n ::= {0,...,9 A,...,F} <binary> ::= #Bnn...n where n ::= {0   1} for binary <string> ::= "0xnn" where n ::= {0,...,9 A,...,F}

## :SEARCH:SERIAL:M1553:MODE

**N** (see [page 1172](#))

**Command Syntax** :SEARCH:SERIAL:M1553:MODE <value>

<value> ::= {DSTART | CSTART | RTA | RTA11 | PERRor | SERRor | MERRor}

The :SEARCH:SERIAL:M1553:MODE command selects the type of MIL-STD-1553 information to find in the Lister display:

- DSTART – searches for the start of a Data word (at the end of a valid Data Sync pulse).
- CSTART – searches for the start of a Comamnd/Status word (at the end of a valid C/S Sync pulse).
- RTA – searches for the Remote Terminal Address (RTA) of a Command/Status word.
- RTA11 – searches for the Remote Terminal Address (RTA) and the additional 11 bits of a Command/Status word.
- PERRor – searches for (odd) parity errors for the data in the word.
- SERRor – searches for invalid Sync pulses.
- MERRor – searches for Manchester encoding errors.

In the RTA or RTA11 modes, the Remote Terminal Address is specified using the :SEARCH:SERIAL:M1553:RTA command.

In the RTA11 mode, the additional 11 bits are specified using the :SEARCH:SERIAL:M1553:PATTERN:DATA command.

**Query Syntax** :SEARCH:SERIAL:M1553:MODE?

The :SEARCH:SERIAL:M1553:MODE? query returns the currently selected mode.

**Return Format** <value><NL>

<value> ::= {DSTA | CSTA | RTA | RTA11 | PERR | SERR | MERR}

- See Also**
- [Chapter 28](#), “:SEARCH Commands,” starting on page 803
  - [":SEARCH:SERIAL:M1553:RTA"](#) on page 868
  - [":SEARCH:SERIAL:M1553:PATTERN:DATA"](#) on page 867

## :SEARCh:SERial:M1553:PATtern:DATA

**N** (see [page 1172](#))

**Command Syntax** :SEARCh:SERial:M1553:PATtern:DATA <string>

<string> ::= "nn...n" where n ::= {0 | 1}

The :SEARCh:SERial:M1553:PATtern:DATA command specifies the additional 11 bits when searching for the MIL-STD-1553 Remote Terminal Address + 11 Bits.

**Query Syntax** :SEARCh:SERial:M1553:PATtern:DATA?

The :SEARCh:SERial:M1553:PATtern:DATA? query returns the current value setting for the additional 11 bits.

**Return Format** <string><NL>

<string> ::= "nn...n" where n ::= {0 | 1}

- See Also**
- [Chapter 28](#), “:SEARCh Commands,” starting on page 803
  - [":SEARCh:SERial:M1553:MODE"](#) on page 866

## :SEARCH:SERIAL:M1553:RTA

**N** (see [page 1172](#))

**Command Syntax** :SEARCH:SERIAL:M1553:RTA <value>

<value> ::= 5-bit integer in decimal, <hexadecimal>, <binary>, or <string> from 0-31

<hexadecimal> ::= #Hnn where n ::= {0,...,9|A,...,F}

<binary> ::= #Bnn...n where n ::= {0 | 1} for binary

<string> ::= "0xnn" where n ::= {0,...,9|A,...,F}

The :SEARCH:SERIAL:M1553:RTA command specifies the Remote Terminal Address (RTA) value when searching for MIL-STD-1553 events.

**Query Syntax** :SEARCH:SERIAL:M1553:RTA?

The :SEARCH:SERIAL:M1553:RTA? query returns the current Remote Terminal Address value setting.

**Return Format** <value><NL>

<value> ::= 5-bit integer in decimal from 0-31

**See Also** • [Chapter 28](#), “:SEARCH Commands,” starting on page 803

## :SEARCh:SERial:SPI Commands

**Table 122** :SEARCh:SERial:SPI Commands Summary

Command	Query	Options and Query Returns
:SEARCh:SERial:SPI:MO DE <value> (see page 870)	:SEARCh:SERial:SPI:MO DE? (see page 870)	<value> ::= {MOSI   MISO}
:SEARCh:SERial:SPI:PA TTern:DATA <string> (see page 871)	:SEARCh:SERial:SPI:PA TTern:DATA? (see page 871)	<string> ::= "0xnn...n" where n ::= {0,...,9   A,...,F   X}
:SEARCh:SERial:SPI:PA TTern:WIDTh <width> (see page 872)	:SEARCh:SERial:SPI:PA TTern:WIDTh? (see page 872)	<width> ::= integer from 1 to 10

## :SEARCh:SERial:SPI:MODE

**N** (see [page 1172](#))

**Command Syntax** :SEARCh:SERial:SPI:MODE <value>

<value> ::= {MOSI | MISO}

The :SEARCh:SERial:SPI:MODE command specifies whether the SPI search will be on the MOSI data or the MISO data.

Data values are specified using the :SEARCh:SERial:SPI:PATtern:DATA command.

**Query Syntax** :SEARCh:SERial:SPI:MODE?

The :SEARCh:SERial:SPI:MODE? query returns the current SPI search mode setting.

**Return Format** <value><NL>

<value> ::= {MOSI | MISO}

- See Also**
- [Chapter 28](#), “:SEARCh Commands,” starting on page 803
  - [":SEARCh:SERial:SPI:PATtern:DATA"](#) on page 871

## :SEARCh:SERial:SPI:PATtern:DATA

**N** (see [page 1172](#))

**Command Syntax** :SEARCh:SERial:SPI:PATtern:DATA <string>

<string> ::= "0xnn...n" where n ::= {0,...,9 | A,...,F | X}

The :SEARCh:SERial:SPI:PATtern:DATA command specifies the data value when searching for SPI events.

The width of the data value is specified using the :SEARCh:SERial:SPI:PATtern:WIDTh command.

**Query Syntax** :SEARCh:SERial:SPI:PATtern:DATA?

The :SEARCh:SERial:SPI:PATtern:DATA? query returns the current data value setting.

**Return Format** <string><NL>

<string> ::= "0xnn...n" where n ::= {0,...,9 | A,...,F | X}

- See Also**
- [Chapter 28](#), “:SEARCh Commands,” starting on page 803
  - [":SEARCh:SERial:SPI:PATtern:WIDTh"](#) on page 872

## :SEARCh:SERial:SPI:PATtern:WIDTh

**N** (see [page 1172](#))

**Command Syntax** :SEARCh:SERial:SPI:PATtern:WIDTh <width>

<width> ::= integer from 1 to 10

The :SEARCh:SERial:SPI:PATtern:WIDTh command specifies the width of the data value (in bytes) when searching for SPI events.

The data value is specified using the :SEARCh:SERial:SPI:PATtern:DATA command.

**Query Syntax** :SEARCh:SERial:SPI:PATtern:WIDTh?

The :SEARCh:SERial:SPI:PATtern:WIDTh? query returns the current data width setting.

**Return Format** <width><NL>

<width> ::= integer from 1 to 10

- See Also**
- [Chapter 28](#), “:SEARCh Commands,” starting on page 803
  - [":SEARCh:SERial:SPI:PATtern:DATA"](#) on page 871



## :SEARCh:SERial:UART Commands

**Table 123** :SEARCh:SERial:UART Commands Summary

Command	Query	Options and Query Returns
:SEARCh:SERial:UART:D ATA <value> (see page 874)	:SEARCh:SERial:UART:D ATA? (see page 874)	<value> ::= 8-bit integer from 0-255 (0x00-0xff) in decimal, <hexadecimal>, <binary>, or <quoted_string> format  <hexadecimal> ::= #Hnn where n ::= {0,...,9  A,...,F} for hexadecimal  <binary> ::= #Bnn...n where n ::= {0   1} for binary  <quoted_string> ::= any of the 128 valid 7-bit ASCII characters (or standard abbreviations)
:SEARCh:SERial:UART:M ODE <value> (see page 875)	:SEARCh:SERial:UART:M ODE? (see page 875)	<value> ::= {RDATa   RD1   RD0   RDX   TDATa   TD1   TD0   TDX   PARityerror   AERRor}
:SEARCh:SERial:UART:Q UALifier <value> (see page 876)	:SEARCh:SERial:UART:Q UALifier? (see page 876)	<value> ::= {EQUal   NOTequal   GREaterthan   LESSthan}

## :SEARCh:SERial:UART:DATA

**N** (see [page 1172](#))

**Command Syntax** :SEARCh:SERial:UART:DATA <value>

<value> ::= 8-bit integer from 0-255 (0x00-0xff) in decimal, <hexadecimal>, <binary>, or <quoted\_string> format

<hexadecimal> ::= #Hnn where n ::= {0,...,9| A,...,F} for hexadecimal

<binary> ::= #Bnn...n where n ::= {0 | 1} for binary

<quoted\_string> ::= any of the 128 valid 7-bit ASCII characters (or standard abbreviations)

The :SEARCh:SERial:UART:DATA command specifies a data value when searching for UART/RS232 events.

The data value qualifier is specified using the :SEARCh:SERial:UART:QUALifier command.

**Query Syntax** :SEARCh:SERial:UART:DATA?

The :SEARCh:SERial:UART:DATA? query returns the current data value setting.

**Return Format** <value><NL>

<value> ::= 8-bit integer from 0-255 (0x00-0xff) in decimal format

- See Also**
- [Chapter 28](#), “:SEARCh Commands,” starting on page 803
  - [":SEARCh:SERial:UART:MODE"](#) on page 875
  - [":SEARCh:SERial:UART:QUALifier"](#) on page 876

## :SEARCh:SERial:UART:MODE

**N** (see [page 1172](#))

**Command Syntax** :SEARCh:SERial:UART:MODE <value>

```
<value> ::= {RDATa | RD1 | RD0 | RDX | TDATa | TD1 | TD0 | TDX
             | PARityerror | AERRor}
```

The :SEARCh:SERial:UART:MODE command selects the type of UART/RS232 information to find in the Lister display:

- RDATa – searches for a receive data value when data words are from 5 to 8 bits long.
- RD1 – searches for a receive data value when data words are 9 bits long and the 9th (alert) bit is 1.
- RD0 – searches for a receive data value when data words are 9 bits long and the 9th (alert) bit is 0.
- RDX – searches for a receive data value when data words are 9 bits long and the 9th (alert) bit is a don't care (X).
- TDATa – searches for a transmit data value when data words are from 5 to 8 bits long.
- TD1 – searches for a transmit data value when data words are 9 bits long and the 9th (alert) bit is 1.
- TD0 – searches for a transmit data value when data words are 9 bits long and the 9th (alert) bit is 0.
- TDX – searches for a transmit data value when data words are 9 bits long and the 9th (alert) bit is a don't care (X).
- PARityerror – searches for parity errors.
- AERRor – searches for any error.

Data values are specified using the :SEARCh:SERial:UART:DATA command.

Data value qualifiers are specified using the :SEARCh:SERial:UART:QUALifier command.

**Query Syntax** :SEARCh:SERial:UART:MODE?

The :SEARCh:SERial:UART:MODE? query returns ...

**Return Format** <value><NL>

```
<value> ::= {RDAT | RD1 | RD0 | RDX | TDAT | TD1 | TD0 | TDX | PAR
             | AERR}
```

- See Also**
- [Chapter 28](#), “:SEARCh Commands,” starting on page 803
  - [":SEARCh:SERial:UART:DATA"](#) on page 874
  - [":SEARCh:SERial:UART:QUALifier"](#) on page 876

## :SEARCH:SERIAL:UART:QUALIFIER

**N** (see [page 1172](#))

**Command Syntax** :SEARCH:SERIAL:UART:QUALIFIER <value>

<value> ::= {EQUAL | NOTEQUAL | GREATERTHAN | LESSTHAN}

The :SEARCH:SERIAL:UART:QUALIFIER command specifies the data value qualifier when searching for UART/RS232 events.

**Query Syntax** :SEARCH:SERIAL:UART:QUALIFIER?

The :SEARCH:SERIAL:UART:QUALIFIER? query returns the current data value qualifier setting.

**Return Format** <value><NL>

<value> ::= {EQU | NOT | GRE | LESS}

- See Also**
- [Chapter 28](#), “:SEARCH Commands,” starting on page 803
  - [":SEARCH:SERIAL:UART:DATA"](#) on page 874

## 29 :SYSTem Commands

Control basic system functions of the oscilloscope. See "[Introduction to :SYSTem Commands](#)" on page 878.

**Table 124** :SYSTem Commands Summary

Command	Query	Options and Query Returns
:SYSTem:DATE <date> (see <a href="#">page 879</a> )	:SYSTem:DATE? (see <a href="#">page 879</a> )	<date> ::= <year>,<month>,<day> <year> ::= 4-digit year in NR1 format <month> ::= {1,...,12   JANuary   FEBruary   MARCH   APRil   MAY   JUNE   JULy   AUGust   SEPTember   OCTober   NOVember   DECember} <day> ::= {1,...31}
n/a	:SYSTem:DIDentifier? (see <a href="#">page 880</a> )	n/a
:SYSTem:DSP <string> (see <a href="#">page 881</a> )	n/a	<string> ::= up to 75 characters as a quoted ASCII string
n/a	:SYSTem:ERRor? (see <a href="#">page 882</a> )	<error> ::= an integer error code <error string> ::= quoted ASCII string. See Error Messages (see <a href="#">page 1131</a> ).
:SYSTem:LOCK <value> (see <a href="#">page 883</a> )	:SYSTem:LOCK? (see <a href="#">page 883</a> )	<value> ::= {{1   ON}   {0   OFF}}
:SYSTem:MENU <menu> (see <a href="#">page 884</a> )	n/a	<menu> ::= {MASK   MEASure   SEGmented   LISTer   POWER}
:SYSTem:PRESet (see <a href="#">page 885</a> )	n/a	See :SYSTem:PRESet (see <a href="#">page 885</a> )
:SYSTem:PROTection:LOCK <value> (see <a href="#">page 888</a> )	:SYSTem:PROTection:LOCK? (see <a href="#">page 888</a> )	<value> ::= {{1   ON}   {0   OFF}}

**Table 124** :SYSTem Commands Summary (continued)

Command	Query	Options and Query Returns
:SYSTem:RLOGger <setting>[,<file_name>[,<write_mode>]] (see <a href="#">page 889</a> )	n/a	<setting> ::= {{0   OFF}   {1   ON}}  <file_name> ::= quoted ASCII string  <write_mode> ::= {CREate   APPend}
:SYSTem:RLOGger:DESTi nation <dest> (see <a href="#">page 890</a> )	:SYSTem:RLOGger:DESTi nation? (see <a href="#">page 890</a> )	<dest> ::= {FILE   SCReen   BOTH}
:SYSTem:RLOGger:DISPl ay {{0   OFF}   {1   ON}} (see <a href="#">page 891</a> )	:SYSTem:RLOGger:DISPl ay? (see <a href="#">page 891</a> )	<setting> ::= {0   1}
:SYSTem:RLOGger:FNAME <file_name> (see <a href="#">page 892</a> )	:SYSTem:RLOGger:FNAME ? (see <a href="#">page 892</a> )	<file_name> ::= quoted ASCII string
:SYSTem:RLOGger:STATE {{0   OFF}   {1   ON}} (see <a href="#">page 893</a> )	:SYSTem:RLOGger:STATE ? (see <a href="#">page 893</a> )	<setting> ::= {0   1}
:SYSTem:RLOGger:TRANs parent {{0   OFF}   {1   ON}} (see <a href="#">page 894</a> )	:SYSTem:RLOGger:TRANs parent? (see <a href="#">page 894</a> )	<setting> ::= {0   1}
:SYSTem:RLOGger:WMODe <write_mode> (see <a href="#">page 895</a> )	:SYSTem:RLOGger:WMODe ? (see <a href="#">page 895</a> )	<write_mode> ::= {CREate   APPend}
:SYSTem:SETup <setup_data> (see <a href="#">page 896</a> )	:SYSTem:SETup? (see <a href="#">page 896</a> )	<setup_data> ::= data in IEEE 488.2 # format.
:SYSTem:TIME <time> (see <a href="#">page 898</a> )	:SYSTem:TIME? (see <a href="#">page 898</a> )	<time> ::= hours,minutes,seconds in NR1 format

**Introduction to :SYSTem Commands**    SYSTem subsystem commands enable writing messages to the display, setting and reading both the time and the date, querying for errors, and saving and recalling setups.

## :SYSTem:DATE

**N** (see [page 1172](#))

**Command Syntax** :SYSTem:DATE <date>

<date> ::= <year>,<month>,<day>

<year> ::= 4-digit year in NR1 format

<month> ::= {1,..,12 | JANuary | FEBruary | MARCH | APRil | MAY | JUNE  
| JULy | AUGust | SEPTember | OCTober | NOVember | DECember}

<day> ::= {1,..,31}

The :SYSTem:DATE command sets the date. Validity checking is performed to ensure that the date is valid.

**Query Syntax** :SYSTem:DATE?

The SYSTem:DATE? query returns the date.

**Return Format** <year>,<month>,<day><NL>

- See Also**
- ["Introduction to :SYSTem Commands"](#) on page 878
  - [":SYSTem:TIME"](#) on page 898

## :SYSTem:DIIdentifier

**N** (see [page 1172](#))

**Query Syntax** :SYSTem:DIIdentifier?

The :SYSTem:DIIdentifier? query returns the oscilloscope's Host ID as (part of) a quoted string.

The oscilloscope's Host ID is needed when redeeming licenses for oscilloscope upgrades or other licensed features.

The exact format of returned string are product-specific. This example returns the model number, serial number, and host ID in a comma-separated format:

```
"X12345A,US12345678,G1EFDNLPAF2YPLRN"
```

Portable programs should not attempt to parse the contents of the returned string. Use the \*IDN? query instead to get the model number and/or serial number in a defined portable format.

**Return Format** <host\_id><NL>

```
<host_id> ::= quoted ASCII string
```

**See Also** • ["\\*IDN \(Identification Number\)"](#) on page 181



## :SYSTem:DSP

**N** (see [page 1172](#))

**Command Syntax** :SYSTem:DSP <string>

<string> ::= quoted ASCII string (up to 75 characters)

The :SYSTem:DSP command writes the quoted string (excluding quotation marks) to a text box in the center of the display. Use :SYSTem:DSP "" to remotely remove the message from the display. (Two sets of quote marks without a space between them creates a NULL string.) Press any menu key to manually remove the message from the display.

**See Also** · ["Introduction to :SYSTem Commands"](#) on page 878

## :SYSTem:ERRor

**C** (see [page 1172](#))

**Query Syntax** :SYSTem:ERRor?

The :SYSTem:ERRor? query outputs the next error number and text from the error queue. The instrument has an error queue that is 30 errors deep and operates on a first-in, first-out basis. Repeatedly sending the :SYSTem:ERRor? query returns the errors in the order that they occurred until the queue is empty. Any further queries then return zero until another error occurs.

**Return Format** <error number>,<error string><NL>

<error number> ::= an integer error code in NR1 format

<error string> ::= quoted ASCII string containing the error message

Error messages are listed in [Chapter 36](#), "Error Messages," starting on page 1131.

- See Also**
- ["Introduction to :SYSTem Commands"](#) on page 878
  - ["\\*ESR \(Standard Event Status Register\)"](#) on page 179
  - ["\\*CLS \(Clear Status\)"](#) on page 176

## :SYSTem:LOCK

**N** (see [page 1172](#))

**Command Syntax** :SYSTem:LOCK <value>  
<value> ::= {{1 | ON} | {0 | OFF}}

The :SYSTem:LOCK command disables the front panel. LOCK ON is the equivalent of sending a local lockout message over the programming interface.

**Query Syntax** :SYSTem:LOCK?

The :SYSTem:LOCK? query returns the lock status of the front panel.

**Return Format** <value><NL>  
<value> ::= {1 | 0}

**See Also** • ["Introduction to :SYSTem Commands"](#) on page 878

## :SYSTem:MENU

**N** (see [page 1172](#))

**Command Syntax** :SYSTem:MENU <menu>

<menu> ::= {MASK | MEASure | SEGmented | LISTer | POWer}

The :SYSTem:MENU command changes the front panel softkey menu.

## :SYSTem:PRESet

**C** (see [page 1172](#))

**Command Syntax** :SYSTem:PRESet

The :SYSTem:PRESet command places the instrument in a known state. This is the same as pressing the **[Default Setup]** key or **[Save/Recall] > Default/Erse > Default Setup** on the front panel.

When you perform a default setup, some user settings (like preferences) remain unchanged. To reset all user settings to their factory defaults, use the \*RST command.

Reset conditions are:

Acquire Menu	
Mode	Normal
Averaging	Off
# Averages	8

Analog Channel Menu	
Channel 1	On
Channel 2	Off
Volts/division	5.00 V
Offset	0.00
Coupling	DC
Probe attenuation	10:1
Vernier	Off
Invert	Off
BW limit	Off
Impedance	1 M Ohm (cannot be changed)
Units	Volts
Skew	0

Cursor Menu	
Source	Channel 1

Digital Channel Menu (MSO models only)	
Channel 0 - 7	Off
Labels	Off
Threshold	TTL (1.4 V)

Display Menu	
Persistence	Off
Grid	20%

Quick Meas Menu	
Source	Channel 1

Run Control	
	Scope is running

Time Base Menu	
Main time/division	100 us
Main time base delay	0.00 s
Delay time/division	500 ns
Delay time base delay	0.00 s
Reference	center
Mode	main
Vernier	Off

Trigger Menu	
Type	Edge
Mode	Auto
Coupling	dc
Source	Channel 1
Level	0.0 V
Slope	Positive

Trigger Menu	
HF Reject and noise reject	Off
Holdoff	40 ns
External probe attenuation	10:1
External Units	Volts
External Impedance	1 M Ohm (cannot be changed)

- See Also
- ["Introduction to Common \(\\*\) Commands"](#) on page 174
  - ["\\*RST \(Reset\)"](#) on page 187

**:SYSTem:PROTection:LOCK**

**N** (see [page 1172](#))

**Command Syntax** :SYSTem:PROTection:LOCK <value>

<value> ::= {{1 | ON} | {0 | OFF}}

The :SYSTem:PROTection:LOCK command disables the fifty ohm impedance setting for all analog channels.

**Query Syntax** :SYSTem:PROTection:LOCK?

The :SYSTem:PROTection:LOCK? query returns the analog channel protection lock status.

**Return Format** <value><NL>

<value> ::= {1 | 0}

**See Also** • ["Introduction to :SYSTem Commands"](#) on page 878



## :SYSTem:RLOGger

**N** (see [page 1172](#))

**Command Syntax** :SYSTem:RLOGger <setting>[,<file\_name>[,<write\_mode>]]

<setting> ::= {{0 | OFF} | {1 | ON}}

<file\_name> ::= quoted ASCII string

<write\_mode> ::= {CREate | APPend}

The :SYSTem:RLOGger command enables or disables remote command logging, optionally specifying the log file name and write mode.

- See Also**
- [":SYSTem:RLOGger:DESTination"](#) on page 890
  - [":SYSTem:RLOGger:DISPlay"](#) on page 891
  - [":SYSTem:RLOGger:FNAME"](#) on page 892
  - [":SYSTem:RLOGger:STATE"](#) on page 893
  - [":SYSTem:RLOGger:TRANSPARENT"](#) on page 894
  - [":SYSTem:RLOGger:WMODE"](#) on page 895

## :SYSTem:RLOGger:DESTination

**N** (see [page 1172](#))

**Command Syntax** :SYSTem:RLOGger:DESTination <dest>

<dest> ::= {FILE | SCReen | BOTH}

The :SYSTem:RLOGger:DESTination command specifies whether remote commands are logged to a text file (on a connected USB storage device), logged to the screen, or both.

**NOTE**

If the destination is changed while remote command logging is running, remote command logging is turned off.

**Query Syntax** :SYSTem:RLOGger:DESTination?

The :SYSTem:RLOGger:DESTination? query returns the remote command logging destination.

**Return Format** <dest><NL>

<dest> ::= {FILE | SCR | BOTH}

- See Also**
- [":SYSTem:RLOGger"](#) on page 889
  - [":SYSTem:RLOGger:DISPlay"](#) on page 891
  - [":SYSTem:RLOGger:FNAME"](#) on page 892
  - [":SYSTem:RLOGger:STATE"](#) on page 893
  - [":SYSTem:RLOGger:TRANSPARENT"](#) on page 894
  - [":SYSTem:RLOGger:WMODe"](#) on page 895

## :SYSTem:RLOGger:DISPlay

**N** (see [page 1172](#))

**Command Syntax** :SYSTem:RLOGger:DISPlay {{0 | OFF} | {1 | ON}}

The :SYSTem:RLOGger:DISPlay command enables or disables the screen display of logged remote commands and their return values (if applicable).

**Query Syntax** :SYSTem:RLOGger:DISPlay?

The :SYSTem:RLOGger:DISPlay? query returns whether the screen display for remote command logging is enabled or disabled.

**Return Format** <setting><NL>  
<setting> ::= {0 | 1}

- See Also**
- [":SYSTem:RLOGger"](#) on page 889
  - [":SYSTem:RLOGger:DESTination"](#) on page 890
  - [":SYSTem:RLOGger:FNAME"](#) on page 892
  - [":SYSTem:RLOGger:STATE"](#) on page 893
  - [":SYSTem:RLOGger:TRANSPARENT"](#) on page 894
  - [":SYSTem:RLOGger:WMODE"](#) on page 895

**:SYSTem:RLOGger:FNAME**

**N** (see [page 1172](#))

**Command Syntax** :SYSTem:RLOGger:FNAME <file\_name>

<file\_name> ::= quoted ASCII string

The :SYSTem:RLOGger:FNAME command specifies the remote command log file name.

Because log files are ASCII text files, the ".txt" extension is automatically added to the name specified.

**Query Syntax** :SYSTem:RLOGger:FNAME?

The :SYSTem:RLOGger:FNAME? query returns the remote command log file name.

**Return Format** <file\_name><NL>

- See Also**
- [":SYSTem:RLOGger"](#) on page 889
  - [":SYSTem:RLOGger:DESTination"](#) on page 890
  - [":SYSTem:RLOGger:DISPlay"](#) on page 891
  - [":SYSTem:RLOGger:STAtE"](#) on page 893
  - [":SYSTem:RLOGger:TRANSPARENT"](#) on page 894
  - [":SYSTem:RLOGger:WMODe"](#) on page 895

## :SYSTem:RLOGger:STATe

**N** (see [page 1172](#))

**Command Syntax** :SYSTem:RLOGger:STATe {{0 | OFF} | {1 | ON}}

The :SYSTem:RLOGger:STATe command enables or disables remote command logging.

**Query Syntax** :SYSTem:RLOGger:STATe?

The :SYSTem:RLOGger:STATe? query returns the remote command logging state.

**Return Format** <setting><NL>

<setting> ::= {0 | 1}

- See Also**
- [":SYSTem:RLOGger"](#) on page 889
  - [":SYSTem:RLOGger:DESTination"](#) on page 890
  - [":SYSTem:RLOGger:DISPlay"](#) on page 891
  - [":SYSTem:RLOGger:FNAME"](#) on page 892
  - [":SYSTem:RLOGger:TRANSPARENT"](#) on page 894
  - [":SYSTem:RLOGger:WMODE"](#) on page 895

## :SYSTem:RLOGger:TRANSPARENT

**N** (see [page 1172](#))

**Command Syntax** :SYSTem:RLOGger:TRANSPARENT {{0 | OFF} | {1 | ON}}

The :SYSTem:RLOGger:TRANSPARENT command specifies whether the screen display background for remote command logging is transparent or solid.

**Query Syntax** :SYSTem:RLOGger:TRANSPARENT?

The :SYSTem:RLOGger:TRANSPARENT? query returns the setting for transparent screen display background.

**Return Format** <setting><NL>  
<setting> ::= {0 | 1}

- See Also**
- [":SYSTem:RLOGger"](#) on page 889
  - [":SYSTem:RLOGger:DESTination"](#) on page 890
  - [":SYSTem:RLOGger:DISPlay"](#) on page 891
  - [":SYSTem:RLOGger:FNAME"](#) on page 892
  - [":SYSTem:RLOGger:STATE"](#) on page 893
  - [":SYSTem:RLOGger:WMODE"](#) on page 895

## :SYSTem:RLOGger:WMODe

**N** (see [page 1172](#))

**Command Syntax** :SYSTem:RLOGger:WMODe <write\_mode>  
 <write\_mode> ::= {CREate | APPend}

The :SYSTem:RLOGger:WMODe command specifies the remote command logging write mode.

**Query Syntax** :SYSTem:RLOGger:WMODe?

The :SYSTem:RLOGger:WMODe? query returns the remote command logging write mode.

**Return Format** <write\_mode><NL>  
 <write\_mode> ::= {CRE | APP}

- See Also**
- [":SYSTem:RLOGger"](#) on page 889
  - [":SYSTem:RLOGger:DESTination"](#) on page 890
  - [":SYSTem:RLOGger:DISPlay"](#) on page 891
  - [":SYSTem:RLOGger:FNAME"](#) on page 892
  - [":SYSTem:RLOGger:STATE"](#) on page 893
  - [":SYSTem:RLOGger:TRANSPARENT"](#) on page 894

## :SYSTem:SETup

**C** (see [page 1172](#))

**Command Syntax** :SYSTem:SETup <setup\_data>  
<setup\_data> ::= binary block data in IEEE 488.2 # format.

The :SYSTem:SETup command sets the oscilloscope as defined by the data in the setup (learn) string sent from the controller. The setup string does not change the interface mode or interface address.

**Query Syntax** :SYSTem:SETup?

The :SYSTem:SETup? query operates the same as the \*LRN? query. It outputs the current oscilloscope setup in the form of a learn string to the controller. The setup (learn) string is sent and received as a binary block of data. The format for the data transmission is the # format defined in the IEEE 488.2 specification.

**Return Format** <setup\_data><NL>  
<setup\_data> ::= binary block data in IEEE 488.2 # format

- See Also**
- ["Introduction to :SYSTem Commands"](#) on page 878
  - ["\\*LRN \(Learn Device Setup\)"](#) on page 182

**Example Code**

```
' SAVE_SYSTEM_SETUP - The :SYSTEM:SETUP? query returns a program
' message that contains the current state of the instrument. Its
' format is a definite-length binary block, for example,
' #800075595<setup string><NL>
' where the setup string is 75595 bytes in length.
myScope.WriteString ":SYSTEM:SETUP?"
varQueryResult = myScope.ReadIEEEBlock(BinaryType_UI1)
CheckForInstrumentErrors ' After reading query results.

' Output setup string to a file:
Dim strPath As String
strPath = "c:\scope\config\setup.dat"

' Open file for output.
Close #1 ' If #1 is open, close it.
Open strPath For Binary Access Write Lock Write As #1
Put #1, , varQueryResult ' Write data.
Close #1 ' Close file.

' RESTORE_SYSTEM_SETUP - Read the setup string from a file and
' write it back to the oscilloscope.
Dim varSetupString As Variant
strPath = "c:\scope\config\setup.dat"

' Open file for input.
Open strPath For Binary Access Read As #1
Get #1, , varSetupString ' Read data.
Close #1 ' Close file.
```



```
' Write setup string back to oscilloscope using ":SYSTEM:SETUP"  
' command:  
myScope.WriteIEEEBlock ":SYSTEM:SETUP ", varSetupString  
CheckForInstrumentErrors
```

See complete example programs at: [Chapter 40](#), "Programming Examples," starting on page 1181

## :SYSTem:TIME

**N** (see [page 1172](#))

**Command Syntax** :SYSTem:TIME <time>

<time> ::= hours,minutes,seconds in NR1 format

The :SYSTem:TIME command sets the system time, using a 24-hour format. Commas are used as separators. Validity checking is performed to ensure that the time is valid.

**Query Syntax** :SYSTem:TIME? <time>

The :SYSTem:TIME? query returns the current system time.

**Return Format** <time><NL>

<time> ::= hours,minutes,seconds in NR1 format

- See Also**
- ["Introduction to :SYSTem Commands"](#) on page 878
  - [":SYSTem:DATE"](#) on page 879

## 30 :TIMebase Commands

Control all horizontal sweep functions. See "[Introduction to :TIMebase Commands](#)" on page 900.

**Table 125** :TIMebase Commands Summary

Command	Query	Options and Query Returns
:TIMebase:MODE <value> (see <a href="#">page 901</a> )	:TIMebase:MODE? (see <a href="#">page 901</a> )	<value> ::= {MAIN   WINDow   XY   ROLL}
:TIMebase:POSition <pos> (see <a href="#">page 902</a> )	:TIMebase:POSition? (see <a href="#">page 902</a> )	<pos> ::= time from the trigger event to the display reference point in NR3 format
:TIMebase:RANGe <range_value> (see <a href="#">page 903</a> )	:TIMebase:RANGe? (see <a href="#">page 903</a> )	<range_value> ::= time for 10 div in seconds in NR3 format
:TIMebase:REFerence {LEFT   CENTer   RIGHT} (see <a href="#">page 904</a> )	:TIMebase:REFerence? (see <a href="#">page 904</a> )	<return_value> ::= {LEFT   CENTer   RIGHT}
:TIMebase:SCALe <scale_value> (see <a href="#">page 905</a> )	:TIMebase:SCALe? (see <a href="#">page 905</a> )	<scale_value> ::= time/div in seconds in NR3 format
:TIMebase:VERNier {{0   OFF}   {1   ON}} (see <a href="#">page 906</a> )	:TIMebase:VERNier? (see <a href="#">page 906</a> )	{0   1}
:TIMebase:WINDow:POSi tion <pos> (see <a href="#">page 907</a> )	:TIMebase:WINDow:POSi tion? (see <a href="#">page 907</a> )	<pos> ::= time from the trigger event to the zoomed view reference point in NR3 format
:TIMebase:WINDow:RANG e <range_value> (see <a href="#">page 908</a> )	:TIMebase:WINDow:RANG e? (see <a href="#">page 908</a> )	<range value> ::= range value in seconds in NR3 format for the zoomed window
:TIMebase:WINDow:SCAL e <scale_value> (see <a href="#">page 909</a> )	:TIMebase:WINDow:SCAL e? (see <a href="#">page 909</a> )	<scale_value> ::= scale value in seconds in NR3 format for the zoomed window

**Introduction to :TIMebase Commands** The TIMebase subsystem commands control the horizontal (X-axis) functions and set the oscilloscope to X-Y mode (where channel 1 becomes the X input and channel 2 becomes the Y input). The time per division, delay, vernier control, and reference can be controlled for the main and window (zoomed) time bases.

### Reporting the Setup

Use :TIMebase? to query setup information for the TIMebase subsystem.

### Return Format

The following is a sample response from the :TIMebase? query. In this case, the query was issued following a \*RST command.

```
:TIM:MODE MAIN;REF CENT;MAIN:RANG +1.00E-03;POS +0.0E+00
```

## :TIMEbase:MODE

**C** (see [page 1172](#))

**Command Syntax** :TIMEbase:MODE <value>

<value> ::= {MAIN | WINDow | XY | ROLL}

The :TIMEbase:MODE command sets the current time base. There are four time base modes:

- MAIN – The normal time base mode is the main time base. It is the default time base mode after the \*RST (Reset) command.
- WINDow – In the WINDow (zoomed or delayed) time base mode, measurements are made in the zoomed time base if possible; otherwise, the measurements are made in the main time base.
- XY – In the XY mode, the :TIMEbase:RANGe, :TIMEbase:POSition, and :TIMEbase:REFerence commands are not available. No measurements are available in this mode.
- ROLL – In the ROLL mode, data moves continuously across the display from left to right. The oscilloscope runs continuously and is untriggered. The :TIMEbase:REFerence selection changes to RIGHT.

**Query Syntax** :TIMEbase:MODE?

The :TIMEbase:MODE query returns the current time base mode.

**Return Format** <value><NL>

<value> ::= {MAIN | WIND | XY | ROLL}

- See Also**
- ["Introduction to :TIMEbase Commands"](#) on page 900
  - ["\\*RST \(Reset\)"](#) on page 187
  - [":TIMEbase:RANGe"](#) on page 903
  - [":TIMEbase:POSition"](#) on page 902
  - [":TIMEbase:REFerence"](#) on page 904

**Example Code**

```
' TIMEBASE_MODE - (not executed in this example)
' Set the time base mode to MAIN, DELAYED, XY, or ROLL.

' Set time base mode to main.
myScope.WriteString ":TIMEBASE:MODE MAIN"
```

See complete example programs at: [Chapter 40](#), "Programming Examples," starting on page 1181

## :TIMebase:POSition

**C** (see [page 1172](#))

**Command Syntax** :TIMebase:POSition <pos>

<pos> ::= time in seconds from the trigger to the display reference  
in NR3 format

The :TIMebase:POSition command sets the time interval between the trigger event and the display reference point on the screen. The display reference point is either left, right, or center and is set with the :TIMebase:REFerence command. The maximum position value depends on the time/division settings.

### NOTE

This command is an alias for the :TIMebase:DELay command.

**Query Syntax** :TIMebase:POSition?

The :TIMebase:POSition? query returns the current time from the trigger to the display reference in seconds.

**Return Format** <pos><NL>

<pos> ::= time in seconds from the trigger to the display reference  
in NR3 format

- See Also**
- ["Introduction to :TIMebase Commands"](#) on page 900
  - [":TIMebase:REFerence"](#) on page 904
  - [":TIMebase:RANGe"](#) on page 903
  - [":TIMebase:SCALe"](#) on page 905
  - [":TIMebase:WINDow:POSition"](#) on page 907
  - [":TIMebase:DELay"](#) on page 1128

## :TIMebase:RANGe

**C** (see [page 1172](#))

**Command Syntax** :TIMebase:RANGe <range\_value>

<range\_value> ::= time for 10 div in seconds in NR3 format

The :TIMebase:RANGe command sets the full-scale horizontal time in seconds for the main window. The range is 10 times the current time-per-division setting.

**Query Syntax** :TIMebase:RANGe?

The :TIMebase:RANGe query returns the current full-scale range value for the main window.

**Return Format** <range\_value><NL>

<range\_value> ::= time for 10 div in seconds in NR3 format

- See Also**
- ["Introduction to :TIMebase Commands"](#) on page 900
  - [":TIMebase:MODE"](#) on page 901
  - [":TIMebase:SCALE"](#) on page 905
  - [":TIMebase:WINDow:RANGe"](#) on page 908

**Example Code**

```
' TIME_RANGE - Sets the full scale horizontal time in seconds. The
' range value is 10 times the time per division.
myScope.WriteString ":TIM:RANG 2e-3" ' Set the time range to 0.002
seconds.
```

See complete example programs at: [Chapter 40](#), "Programming Examples," starting on page 1181

## :TIMebase:REFeRence

**C** (see [page 1172](#))

**Command Syntax** :TIMebase:REFeRence <reference>

<reference> ::= {LEFT | CENTer | RIGHT}

The :TIMebase:REFeRence command sets the time reference to one division from the left side of the screen, to the center of the screen, or to one division from the right side of the screen. Time reference is the point on the display where the trigger point is referenced.

**Query Syntax** :TIMebase:REFeRence?

The :TIMebase:REFeRence? query returns the current display reference for the main window.

**Return Format** <reference><NL>

<reference> ::= {LEFT | CENT | RIGH}

- See Also**
- ["Introduction to :TIMebase Commands"](#) on page 900
  - [":TIMebase:MODE"](#) on page 901

**Example Code**

```
' TIME_REFERENCE - Possible values are LEFT, CENTER, or RIGHT.
' - LEFT sets the display reference one time division from the left.
' - CENTER sets the display reference to the center of the screen.
' - RIGHT sets the display reference one time division from the right.
t.
myScope.WriteString ":TIMebase:REFeRence CENTER" ' Set reference to
center.
```

See complete example programs at: [Chapter 40](#), "Programming Examples," starting on page 1181



## :TIMEbase:SCALE

**N** (see [page 1172](#))

**Command Syntax** :TIMEbase:SCALE <scale\_value>

<scale\_value> ::= time/div in seconds in NR3 format

The :TIMEbase:SCALE command sets the horizontal scale or units per division for the main window.

**Query Syntax** :TIMEbase:SCALE?

The :TIMEbase:SCALE? query returns the current horizontal scale setting in seconds per division for the main window.

**Return Format** <scale\_value><NL>

<scale\_value> ::= time/div in seconds in NR3 format

- See Also**
- ["Introduction to :TIMEbase Commands"](#) on page 900
  - [":TIMEbase:RANGe"](#) on page 903
  - [":TIMEbase:WINDow:SCALE"](#) on page 909
  - [":TIMEbase:WINDow:RANGe"](#) on page 908

## :TIMEbase:VERNier

**N** (see [page 1172](#))

**Command Syntax** :TIMEbase:VERNier <vernier value>  
 <vernier value> ::= {{1 | ON} | {0 | OFF}}

The :TIMEbase:VERNier command specifies whether the time base control's vernier (fine horizontal adjustment) setting is ON (1) or OFF (0).

**Query Syntax** :TIMEbase:VERNier?

The :TIMEbase:VERNier? query returns the current state of the time base control's vernier setting.

**Return Format** <vernier value><NL>  
 <vernier value> ::= {0 | 1}

**See Also** • ["Introduction to :TIMEbase Commands"](#) on page 900

## :TIMebase:WINDow:POSition

**C** (see [page 1172](#))

**Command Syntax** :TIMebase:WINDow:POSition <pos value>

<pos value> ::= time from the trigger event to the zoomed (delayed) view reference point in NR3 format

The :TIMebase:WINDow:POSition command sets the horizontal position in the zoomed (delayed) view of the main sweep. The main sweep range and the main sweep horizontal position determine the range for this command. The value for this command must keep the zoomed view window within the main sweep range.

**Query Syntax** :TIMebase:WINDow:POSition?

The :TIMebase:WINDow:POSition? query returns the current horizontal window position setting in the zoomed view.

**Return Format** <value><NL>

<value> ::= position value in seconds

- See Also**
- ["Introduction to :TIMebase Commands"](#) on page 900
  - [":TIMebase:MODE"](#) on page 901
  - [":TIMebase:POSition"](#) on page 902
  - [":TIMebase:RANGe"](#) on page 903
  - [":TIMebase:SCALe"](#) on page 905
  - [":TIMebase:WINDow:RANGe"](#) on page 908
  - [":TIMebase:WINDow:SCALe"](#) on page 909

## :TIMEbase:WINDow:RANGe

**C** (see [page 1172](#))

**Command Syntax** :TIMEbase:WINDow:RANGe <range value>

<range value> ::= range value in seconds in NR3 format

The :TIMEbase:WINDow:RANGe command sets the full-scale horizontal time in seconds for the zoomed (delayed) window. The range is 10 times the current zoomed view window seconds per division setting. The main sweep range determines the range for this command. The maximum value is one half of the :TIMEbase:RANGe value.

**Query Syntax** :TIMEbase:WINDow:RANGe?

The :TIMEbase:WINDow:RANGe? query returns the current window timebase range setting.

**Return Format** <value><NL>

<value> ::= range value in seconds

- See Also**
- ["Introduction to :TIMEbase Commands"](#) on page 900
  - [":TIMEbase:RANGe"](#) on page 903
  - [":TIMEbase:POSition"](#) on page 902
  - [":TIMEbase:SCALe"](#) on page 905

## :TIMEbase:WINDow:SCALE

**N** (see [page 1172](#))

**Command Syntax** :TIMEbase:WINDow:SCALE <scale\_value>

<scale\_value> ::= scale value in seconds in NR3 format

The :TIMEbase:WINDow:SCALE command sets the zoomed (delayed) window horizontal scale (seconds/division). The main sweep scale determines the range for this command. The maximum value is one half of the :TIMEbase:SCALE value.

**Query Syntax** :TIMEbase:WINDow:SCALE?

The :TIMEbase:WINDow:SCALE? query returns the current zoomed window scale setting.

**Return Format** <scale\_value><NL>

<scale\_value> ::= current seconds per division for the zoomed window

- See Also**
- ["Introduction to :TIMEbase Commands"](#) on page 900
  - [":TIMEbase:RANGE"](#) on page 903
  - [":TIMEbase:POSition"](#) on page 902
  - [":TIMEbase:SCALE"](#) on page 905
  - [":TIMEbase:WINDow:RANGE"](#) on page 908



# 31 :TRIGger Commands

Control the trigger modes and parameters for each trigger type. See:

- "[Introduction to :TRIGger Commands](#)" on page 911
- "[General :TRIGger Commands](#)" on page 913
- "[:TRIGger:DELAy Commands](#)" on page 923
- "[:TRIGger:EBURst Commands](#)" on page 930
- "[:TRIGger\[:EDGE\] Commands](#)" on page 935
- "[:TRIGger:GLITCh Commands](#)" on page 941 (Pulse Width trigger)
- "[:TRIGger:OR Commands](#)" on page 950
- "[:TRIGger:PATtern Commands](#)" on page 952
- "[:TRIGger:RUNT Commands](#)" on page 960
- "[:TRIGger:SHOLd Commands](#)" on page 965
- "[:TRIGger:TRANSition Commands](#)" on page 971
- "[:TRIGger:TV Commands](#)" on page 976
- "[:TRIGger:USB Commands](#)" on page 986

## Introduction to :TRIGger Commands

The commands in the TRIGger subsystem define the conditions for an internal trigger. Many of these commands are valid in multiple trigger modes.

The default trigger mode is :EDGE.

The trigger subsystem controls the trigger sweep mode and the trigger specification. The trigger sweep (see "[:TRIGger:SWEep](#)" on page 922) can be AUTO or NORMAl.

- **NORMAl** mode – displays a waveform only if a trigger signal is present and the trigger conditions are met. Otherwise the oscilloscope does not trigger and the display is not updated. This mode is useful for low-repetitive-rate signals.
- **AUTO** trigger mode – generates an artificial trigger event if the trigger specification is not satisfied within a preset time, acquires unsynchronized data and displays it.

AUTO mode is useful for signals other than low-repetitive-rate signals. You must use this mode to display a DC signal because there are no edges on which to trigger.

The following trigger types are available (see "**:TRIGger:MODE**" on page 920).

- **Edge triggering**— identifies a trigger by looking for a specified slope and voltage level on a waveform.
- **Nth Edge Burst triggering**— lets you trigger on the Nth edge of a burst that occurs after an idle time.
- **Pulse width triggering**— (:TRIGger:GLITch commands) sets the oscilloscope to trigger on a positive pulse or on a negative pulse of a specified width.
- **Pattern triggering**— identifies a trigger condition by looking for a specified pattern. This pattern is a logical AND combination of the channels. You can also trigger on a specified time duration of a pattern.
- **TV triggering**— is used to capture the complicated waveforms of television equipment. The trigger circuitry detects the vertical and horizontal interval of the waveform and produces triggers based on the TV trigger settings you selected. TV triggering requires greater than ¼ division of sync amplitude with any analog channel as the trigger source.
- **USB (Universal Serial Bus) triggering**— will trigger on a Start of Packet (SOP), End of Packet (EOP), Reset Complete, Enter Suspend, or Exit Suspend signal on the differential USB data lines. USB Low Speed and Full Speed are supported by this trigger.

### Reporting the Setup

Use :TRIGger? to query setup information for the TRIGger subsystem.

### Return Format

The return format for the TRIGger? query varies depending on the current mode. The following is a sample response from the :TRIGger? query. In this case, the query was issued following a \*RST command.

```
:TRIG:MODE EDGE;SWE AUTO;NREJ 0;HFR 0;HOLD +60.0000000000000E-09;
:TRIG:EDGE:SOUR CHAN1;LEV +0.00000E+00;SLOP POS;REJ OFF;COUP DC
```



## General :TRIGger Commands

**Table 126** General :TRIGger Commands Summary

Command	Query	Options and Query Returns
:TRIGger:FORCe (see <a href="#">page 914</a> )	n/a	n/a
:TRIGger:HFReject {{0   OFF}   {1   ON}} (see <a href="#">page 915</a> )	:TRIGger:HFReject? (see <a href="#">page 915</a> )	{0   1}
:TRIGger:HOLDoFF <holdoff_time> (see <a href="#">page 916</a> )	:TRIGger:HOLDoFF? (see <a href="#">page 916</a> )	<holdoff_time> ::= 40 ns to 10 s in NR3 format
:TRIGger:LEVel:ASeTup (see <a href="#">page 917</a> )	n/a	n/a
:TRIGger:LEVel:HIGH <level>, <source> (see <a href="#">page 918</a> )	:TRIGger:LEVel:HIGH? <source> (see <a href="#">page 918</a> )	<level> ::= .75 x full-scale voltage from center screen in NR3 format. <source> ::= CHANnel<n> <n> ::= 1 to (# analog channels) in NR1 format
:TRIGger:LEVel:LOW <level>, <source> (see <a href="#">page 919</a> )	:TRIGger:LEVel:LOW? <source> (see <a href="#">page 919</a> )	<level> ::= .75 x full-scale voltage from center screen in NR3 format. <source> ::= CHANnel<n> <n> ::= 1 to (# analog channels) in NR1 format
:TRIGger:MODE <mode> (see <a href="#">page 920</a> )	:TRIGger:MODE? (see <a href="#">page 920</a> )	<mode> ::= {EDGE   GLITCh   PATtern   TV   DELay   EBURst   OR   RUNT   SHOLd   TRANSition   SBUS{1   2}   USB} <return_value> ::= {<mode>   <none>} <none> ::= query returns "NONE" if the :TIMEbase:MODE is ROLL or XY
:TRIGger:NREJect {{0   OFF}   {1   ON}} (see <a href="#">page 921</a> )	:TRIGger:NREJect? (see <a href="#">page 921</a> )	{0   1}
:TRIGger:SWEep <sweep> (see <a href="#">page 922</a> )	:TRIGger:SWEep? (see <a href="#">page 922</a> )	<sweep> ::= {AUTO   NORMal}

## :TRIGger:FORCe

**N** (see [page 1172](#))

**Command Syntax** :TRIGger:FORCe

The :TRIGger:FORCe command causes an acquisition to be captured even though the trigger condition has not been met. This command is equivalent to the front panel **[Force Trigger]** key.

**See Also** · ["Introduction to :TRIGger Commands"](#) on page 911

## :TRIGger:HFReject

**C** (see [page 1172](#))

**Command Syntax** :TRIGger:HFReject <value>  
 <value> ::= {{0 | OFF} | {1 | ON}}

The :TRIGger:HFReject command turns the high frequency reject filter off and on. The high frequency reject filter adds a 50 kHz low-pass filter in the trigger path to remove high frequency components from the trigger waveform. Use this filter to remove high-frequency noise, such as AM or FM broadcast stations, from the trigger path.

**Query Syntax** :TRIGger:HFReject?

The :TRIGger:HFReject? query returns the current high frequency reject filter mode.

**Return Format** <value><NL>  
 <value> ::= {0 | 1}

- See Also**
- ["Introduction to :TRIGger Commands"](#) on page 911
  - [":TRIGger\[:EDGE\]:REJect"](#) on page 938

## :TRIGger:HOLDoff

**C** (see [page 1172](#))

**Command Syntax** :TRIGger:HOLDoff <holdoff\_time>

<holdoff\_time> ::= 40 ns to 10 s in NR3 format

The :TRIGger:HOLDoff command defines the holdoff time value in seconds. Holdoff keeps a trigger from occurring until after a certain amount of time has passed since the last trigger. This feature is valuable when a waveform crosses the trigger level multiple times during one period of the waveform. Without holdoff, the oscilloscope could trigger on each of the crossings, producing a confusing waveform. With holdoff set correctly, the oscilloscope always triggers on the same crossing. The correct holdoff setting is typically slightly less than one period.

**Query Syntax** :TRIGger:HOLDoff?

The :TRIGger:HOLDoff? query returns the holdoff time value for the current trigger mode.

**Return Format** <holdoff\_time><NL>

<holdoff\_time> ::= the holdoff time value in seconds in NR3 format.

**See Also** • ["Introduction to :TRIGger Commands"](#) on page 911

## :TRIGger:LEVel:ASETup

**N** (see [page 1172](#))

**Command Syntax** :TRIGger:LEVel:ASETup

The :TRIGger:LEVel:ASETup command automatically sets the trigger levels of all displayed analog channels to their waveforms' 50% values.

If AC coupling is used, the trigger levels are set to 0 V.

When High and Low (dual) trigger levels are used (as with Rise/Fall Time and Runt triggers, for example), this command has no effect.

**See Also** · [":TRIGger\[:EDGE\]:LEVel"](#) on page 937

## :TRIGger:LEVel:HIGH

**N** (see [page 1172](#))

**Command Syntax** :TRIGger:LEVel:HIGH <level>, <source>

<level> ::= 0.75 x full-scale voltage from center screen in NR3 format  
for internal triggers

<source> ::= CHANnel<n>

<n> ::= 1 to (# analog channels) in NR1 format

The :TRIGger:LEVel:HIGH command sets the high trigger voltage level voltage for the specified source.

High and low trigger levels are used with runt triggers and rise/fall time (transition) triggers.

**Query Syntax** :TRIGger:LEVel:HIGH? <source>

The :TRIGger:LEVel:HIGH? query returns the high trigger voltage level for the specified source.

**Return Format** <level><NL>

- See Also**
- ["Introduction to :TRIGger Commands"](#) on page 911
  - [":TRIGger:LEVel:LOW"](#) on page 919
  - [":TRIGger:RUNT Commands"](#) on page 960
  - [":TRIGger:TRANSition Commands"](#) on page 971
  - [":TRIGger\[:EDGE\]:SOURce"](#) on page 940

## :TRIGger:LEVel:LOW

**N** (see [page 1172](#))

**Command Syntax** :TRIGger:LEVel:LOW <level>, <source>

<level> ::= 0.75 x full-scale voltage from center screen in NR3 format  
for internal triggers

<source> ::= CHANnel<n>

<n> ::= 1 to (# analog channels) in NR1 format

The :TRIGger:LEVel:LOW command sets the low trigger voltage level voltage for the specified source.

High and low trigger levels are used with runt triggers and rise/fall time (transition) triggers.

**Query Syntax** :TRIGger:LEVel:LOW? <source>

The :TRIGger:LEVel:LOW? query returns the low trigger voltage level for the specified source.

**Return Format** <level><NL>

- See Also**
- ["Introduction to :TRIGger Commands"](#) on page 911
  - [":TRIGger:LEVel:HIGH"](#) on page 918
  - [":TRIGger:RUNT Commands"](#) on page 960
  - [":TRIGger:TRANSition Commands"](#) on page 971
  - [":TRIGger\[:EDGE\]:SOURce"](#) on page 940

## :TRIGger:MODE

**C** (see [page 1172](#))

**Command Syntax** :TRIGger:MODE <mode>

```
<mode> ::= {EDGE | GLITch | PATTern | TV | DELay | EBURst | OR | RUNT  
           | SHOLd | TRANsition | SBUS{1 | 2} | USB}
```

The :TRIGger:MODE command selects the trigger mode (trigger type).

**Query Syntax** :TRIGger:MODE?

The :TRIGger:MODE? query returns the current trigger mode. If the :TIMebase:MODE is ROLL or XY, the query returns "NONE".

**Return Format** <mode><NL>

```
<mode> ::= {EDGE | GLIT | PATT | TV | DEL | EBUR | OR | RUNT | SHOL  
           | TRAN | SBUS{1 | 2} | USB}
```

- See Also**
- ["Introduction to :TRIGger Commands"](#) on page 911
  - [":TRIGger:SWEep"](#) on page 922
  - [":TIMebase:MODE"](#) on page 901

**Example Code**

```
' TRIGGER_MODE - Set the trigger mode to EDGE.  
myScope.WriteString ":TRIGger:MODE EDGE"
```

See complete example programs at: [Chapter 40](#), "Programming Examples," starting on page 1181



## :TRIGger:NREJect

**C** (see [page 1172](#))

**Command Syntax** :TRIGger:NREJect <value>  
 <value> ::= {{0 | OFF} | {1 | ON}}

The :TRIGger:NREJect command turns the noise reject filter off and on. When the noise reject filter is on, the trigger circuitry is less sensitive to noise but may require a greater amplitude waveform to trigger the oscilloscope. This command is not valid in TV trigger mode.

**Query Syntax** :TRIGger:NREJect?

The :TRIGger:NREJect? query returns the current noise reject filter mode.

**Return Format** <value><NL>  
 <value> ::= {0 | 1}

**See Also** • ["Introduction to :TRIGger Commands"](#) on page 911

## :TRIGger:SWEEp

**C** (see [page 1172](#))

**Command Syntax** :TRIGger:SWEEp <sweep>

<sweep> ::= {AUTO | NORMal}

The :TRIGger:SWEEp command selects the trigger sweep mode.

When AUTO sweep mode is selected, a baseline is displayed in the absence of a signal. If a signal is present but the oscilloscope is not triggered, the unsynchronized signal is displayed instead of a baseline.

When NORMal sweep mode is selected and no trigger is present, the instrument does not sweep, and the data acquired on the previous trigger remains on the screen.

### NOTE

This feature is called "Mode" on the instrument's front panel.

**Query Syntax** :TRIGger:SWEEp?

The :TRIGger:SWEEp? query returns the current trigger sweep mode.

**Return Format** <sweep><NL>

<sweep> ::= current trigger sweep mode

**See Also** • ["Introduction to :TRIGger Commands"](#) on page 911

## :TRIGger:DElay Commands

**Table 127** :TRIGger:DElay Commands Summary

Command	Query	Options and Query Returns
:TRIGger:DElay:ARM:SL OPe <slope> (see page 924)	:TRIGger:DElay:ARM:SL OPe? (see page 924)	<slope> ::= {NEGative   POSitive}
:TRIGger:DElay:ARM:SO URce <source> (see page 925)	:TRIGger:DElay:ARM:SO URce? (see page 925)	<source> ::= {CHANnel<n>   DIGital<d>}  <n> ::= 1 to (# analog channels) in NR1 format  <d> ::= 0 to (# digital channels - 1) in NR1 format
:TRIGger:DElay:TDElay :TIME <time_value> (see page 926)	:TRIGger:DElay:TDElay :TIME? (see page 926)	<time_value> ::= time in seconds in NR3 format
:TRIGger:DElay:TRIGge r:COUNT <count> (see page 927)	:TRIGger:DElay:TRIGge r:COUNT? (see page 927)	<count> ::= integer in NR1 format
:TRIGger:DElay:TRIGge r:SLOPe <slope> (see page 928)	:TRIGger:DElay:TRIGge r:SLOPe? (see page 928)	<slope> ::= {NEGative   POSitive}
:TRIGger:DElay:TRIGge r:SOURce <source> (see page 929)	:TRIGger:DElay:TRIGge r:SOURce? (see page 929)	<source> ::= {CHANnel<n>   DIGital<d>}  <n> ::= 1 to (# analog channels) in NR1 format  <d> ::= 0 to (# digital channels - 1) in NR1 format

The :TRIGger:DElay:ARM:SOURce and :TRIGger:DElay:TRIGger:SOURce commands are used to specify the source channel for the arming edge and the trigger edge in the Edge Then Edge trigger.

If an analog channel is selected as a source, the :TRIGger:EDGE:LEvel command is used to set the trigger level.

If a digital channel is selected as the source, the :DIGital<n>:THReshold or :POD<n>:THReshold command is used to set the trigger level.

## :TRIGger:DElay:ARM:SLOPe

**N** (see [page 1172](#))

**Command Syntax** :TRIGger:DElay:ARM:SLOPe <slope>  
 <slope> ::= {NEGative | POSitive}

The :TRIGger:DElay:ARM:SLOPe command specifies rising (POSitive) or falling (NEGative) for the arming edge in the Edge Then Edge trigger.

**Query Syntax** :TRIGger:DElay:ARM:SLOPe?

The :TRIGger:DElay:ARM:SLOPe? query returns the current arming edge slope setting.

**Return Format** <slope><NL>  
 <slope> ::= {NEG | POS}

- See Also**
- ["Introduction to :TRIGger Commands"](#) on page 911
  - [":TRIGger:DElay:ARM:SOURce"](#) on page 925
  - [":TRIGger:DElay:TDElay:TIME"](#) on page 926

## :TRIGger:DELAy:ARM:SOURce

**N** (see [page 1172](#))

**Command Syntax** :TRIGger:DELAy:ARM:SOURce <source>

<source> ::= {CHANnel<n> | DIGital<d>}

<n> ::= 1 to (# analog channels) in NR1 format

<d> ::= 0 to (# digital channels - 1) in NR1 format

The :TRIGger:DELAy:ARM:SOURce command selects the input used for the arming edge in the Edge Then Edge trigger.

**Query Syntax** :TRIGger:DELAy:ARM:SOURce?

The :TRIGger:DELAy:ARM:SOURce? query returns the current arming edge source.

**Return Format** <source><NL>

<source> ::= {CHAN<n> | DIG<d>}

- See Also**
- ["Introduction to :TRIGger Commands"](#) on page 911
  - [":TRIGger:DELAy:ARM:SLOPe"](#) on page 924
  - [":TRIGger:DELAy:TDELAy:TIME"](#) on page 926
  - [":TRIGger:MODE"](#) on page 920

## :TRIGger:DElay:TDElay:TIME

**N** (see [page 1172](#))

**Command Syntax** :TRIGger:DElay:TDElay:TIME <time\_value>

<time\_value> ::= time in seconds in NR3 format

The :TRIGger:DElay:TDElay:TIME command sets the delay time between the arming edge and the trigger edge in the Edge Then Edge trigger. The time is in seconds and must be from 4 ns to 10 s.

**Query Syntax** :TRIGger:DElay:TDElay:TIME?

The :TRIGger:DElay:TDElay:TIME? query returns current delay time setting.

**Return Format** <time\_value><NL>

<time\_value> ::= time in seconds in NR3 format

- See Also**
- ["Introduction to :TRIGger Commands"](#) on page 911
  - [":TRIGger:DElay:TRIGger:SLOPe"](#) on page 928
  - [":TRIGger:DElay:TRIGger:COUNt"](#) on page 927

## :TRIGger:DElay:TRIGger:COUNT

**N** (see [page 1172](#))

**Command Syntax** :TRIGger:DElay:TRIGger:COUNT <count>

<count> ::= integer in NR1 format

The :TRIGger:DElay:TRIGger:COUNT command sets the Nth edge of the trigger source to trigger on.

**Query Syntax** :TRIGger:DElay:TRIGger:COUNT?

The :TRIGger:DElay:TRIGger:COUNT? query returns the current Nth trigger edge setting.

**Return Format** <count><NL>

<count> ::= integer in NR1 format

- See Also**
- ["Introduction to :TRIGger Commands"](#) on page 911
  - [":TRIGger:DElay:TRIGger:SLOPe"](#) on page 928
  - [":TRIGger:DElay:TRIGger:SOURce"](#) on page 929
  - [":TRIGger:DElay:TDElay:TIME"](#) on page 926

## :TRIGger:DElay:TRIGger:SLOPe

**N** (see [page 1172](#))

**Command Syntax** :TRIGger:DElay:TRIGger:SLOPe <slope>

<slope> ::= {NEGative | POSitive}

The :TRIGger:DElay:TRIGger:SLOPe command specifies rising (POSitive) or falling (NEGative) for the trigger edge in the Edge Then Edge trigger.

**Query Syntax** :TRIGger:DElay:TRIGger:SLOPe?

The :TRIGger:DElay:TRIGger:SLOPe? query returns the current trigger edge slope setting.

**Return Format** <slope><NL>

<slope> ::= {NEG | POS}

- See Also**
- ["Introduction to :TRIGger Commands"](#) on page 911
  - [":TRIGger:DElay:TRIGger:SOURce"](#) on page 929
  - [":TRIGger:DElay:TDElay:TIME"](#) on page 926
  - [":TRIGger:DElay:TRIGger:COUNt"](#) on page 927



## :TRIGger:DElay:TRIGger:SOURce

**N** (see [page 1172](#))

**Command Syntax** :TRIGger:DElay:TRIGger:SOURce <source>

<source> ::= {CHANnel<n> | DIGital<d>}

<n> ::= 1 to (# analog channels) in NR1 format

<d> ::= 0 to (# digital channels - 1) in NR1 format

The :TRIGger:DElay:TRIGger:SOURce command selects the input used for the trigger edge in the Edge Then Edge trigger.

**Query Syntax** :TRIGger:DElay:TRIGger:SOURce?

The :TRIGger:DElay:TRIGger:SOURce? query returns the current trigger edge source.

**Return Format** <source><NL>

<source> ::= {CHAN<n> | DIG<d>}

- See Also**
- ["Introduction to :TRIGger Commands"](#) on page 911
  - [":TRIGger:DElay:TRIGger:SLOPe"](#) on page 928
  - [":TRIGger:DElay:TDElay:TIME"](#) on page 926
  - [":TRIGger:DElay:TRIGger:COUNt"](#) on page 927
  - [":TRIGger:MODE"](#) on page 920

## :TRIGger:EBURst Commands

**Table 128** :TRIGger:EBURst Commands Summary

Command	Query	Options and Query Returns
:TRIGger:EBURst:COUNT <count> (see <a href="#">page 931</a> )	:TRIGger:EBURst:COUNT? (see <a href="#">page 931</a> )	<count> ::= integer in NR1 format
:TRIGger:EBURst:IDLE <time_value> (see <a href="#">page 932</a> )	:TRIGger:EBURst:IDLE? (see <a href="#">page 932</a> )	<time_value> ::= time in seconds in NR3 format
:TRIGger:EBURst:SLOPe <slope> (see <a href="#">page 933</a> )	:TRIGger:EBURst:SLOPe? (see <a href="#">page 933</a> )	<slope> ::= {NEGative   POSitive}
:TRIGger:EBURst:SOURc e <source> (see <a href="#">page 934</a> )	:TRIGger:EBURst:SOURc e? (see <a href="#">page 934</a> )	<source> ::= {CHANnel<n>   DIGital<d>}  <n> ::= 1 to (# analog channels) in NR1 format  <d> ::= 0 to (# digital channels - 1) in NR1 format

The :TRIGger:EBURst:SOURce command is used to specify the source channel for the Nth Edge Burst trigger. If an analog channel is selected as the source, the :TRIGger:EDGE:LEVel command is used to set the Nth Edge Burst trigger level. If a digital channel is selected as the source, the :DIGital<n>:THReshold or :POD<n>:THReshold command is used to set the Nth Edge Burst trigger level.

## :TRIGger:EBURst:COUNT

**N** (see [page 1172](#))

**Command Syntax** :TRIGger:EBURst:COUNT <count>

<count> ::= integer in NR1 format

The :TRIGger:EBURst:COUNT command sets the Nth edge at burst counter resource. The edge counter is used in the trigger stage to determine which edge in a burst will generate a trigger.

**Query Syntax** :TRIGger:EBURst:COUNT?

The :TRIGger:EBURst:COUNT? query returns the current Nth edge of burst edge counter setting.

**Return Format** <count><NL>

<count> ::= integer in NR1 format

- See Also**
- ["Introduction to :TRIGger Commands"](#) on page 911
  - [":TRIGger:EBURst:SLOPe"](#) on page 933
  - [":TRIGger:EBURst:IDLE"](#) on page 932

## :TRIGger:EBURst:IDLE

**N** (see [page 1172](#))

**Command Syntax** :TRIGger:EBURst:IDLE <time\_value>

<time\_value> ::= time in seconds in NR3 format

The :TRIGger:EBURst:IDLE command sets the Nth edge in a burst idle resource in seconds from 10 ns to 10 s. The timer is used to set the minimum time before the next burst.

**Query Syntax** :TRIGger:EBURst:IDLE?

The :TRIGger:EBURst:IDLE? query returns current Nth edge in a burst idle setting.

**Return Format** <time\_value><NL>

<time\_value> ::= time in seconds in NR3 format

- See Also**
- ["Introduction to :TRIGger Commands"](#) on page 911
  - [":TRIGger:EBURst:SLOPe"](#) on page 933
  - [":TRIGger:EBURst:COUNt"](#) on page 931

## :TRIGger:EBURst:SLOPe

**N** (see [page 1172](#))

**Command Syntax** :TRIGger:EBURst:SLOPe <slope>

<slope> ::= {NEGative | POSitive}

The :TRIGger:EBURst:SLOPe command specifies whether the rising edge (POSitive) or falling edge (NEGative) of the Nth edge in a burst will generate a trigger.

**Query Syntax** :TRIGger:EBURst:SLOPe?

The :TRIGger:EBURst:SLOPe? query returns the current Nth edge in a burst slope.

**Return Format** <slope><NL>

<slope> ::= {NEG | POS}

- See Also**
- ["Introduction to :TRIGger Commands"](#) on page 911
  - [":TRIGger:EBURst:IDLE"](#) on page 932
  - [":TRIGger:EBURst:COUNt"](#) on page 931

## :TRIGger:EBURst:SOURce

**C** (see [page 1172](#))

**Command Syntax** :TRIGger:EBURst:SOURce <source>

<source> ::= {CHANnel<n> | DIGital<d>}

<n> ::= 1 to (# analog channels) in NR1 format

<d> ::= 0 to (# digital channels - 1) in NR1 format

The :TRIGger:EBURst:SOURce command selects the input that produces the Nth edge burst trigger.

**Query Syntax** :TRIGger:EBURst:SOURce?

The :TRIGger:EBURst:SOURce? query returns the current Nth edge burst trigger source. If all channels are off, the query returns "NONE."

**Return Format** <source><NL>

<source> ::= {CHAN<n> | DIG<d>}

- See Also**
- ["Introduction to :TRIGger Commands"](#) on page 911
  - [":TRIGger:MODE"](#) on page 920

## :TRIGger[:EDGE] Commands

**Table 129** :TRIGger[:EDGE] Commands Summary

Command	Query	Options and Query Returns
:TRIGger[:EDGE]:COUPling {AC   DC   LFReject} (see <a href="#">page 936</a> )	:TRIGger[:EDGE]:COUPling? (see <a href="#">page 936</a> )	{AC   DC   LFReject}
:TRIGger[:EDGE]:LEVel <level> [, <source>] (see <a href="#">page 937</a> )	:TRIGger[:EDGE]:LEVel? [<source>] (see <a href="#">page 937</a> )	For internal triggers, <level> ::= .75 x full-scale voltage from center screen in NR3 format. For external triggers, <level> ::= ±(external range setting) in NR3 format. For digital channels (MSO models), <level> ::= ±8 V. <source> ::= {CHANnel<n>   EXTErnal} for DSO models <source> ::= {CHANnel<n>   DIGital<d>   EXTErnal} for MSO models <n> ::= 1 to (# analog channels) in NR1 format <d> ::= 0 to (# digital channels - 1) in NR1 format
:TRIGger[:EDGE]:REJect {OFF   LFReject   HFReject} (see <a href="#">page 938</a> )	:TRIGger[:EDGE]:REJect? (see <a href="#">page 938</a> )	{OFF   LFReject   HFReject}
:TRIGger[:EDGE]:SLOPe <polarity> (see <a href="#">page 939</a> )	:TRIGger[:EDGE]:SLOPe? (see <a href="#">page 939</a> )	<polarity> ::= {POSitive   NEGative   EITHer   ALTernate}
:TRIGger[:EDGE]:SOURCe <source> (see <a href="#">page 940</a> )	:TRIGger[:EDGE]:SOURCe? (see <a href="#">page 940</a> )	<source> ::= {CHANnel<n>   EXTErnal   LINE   WGEN} for the DSO models <source> ::= {CHANnel<n>   DIGital<d>   EXTErnal   LINE   WGEN} for the MSO models <n> ::= 1 to (# analog channels) in NR1 format <d> ::= 0 to (# digital channels - 1) in NR1 format

## :TRIGger[:EDGE]:COUpling

**C** (see [page 1172](#))

**Command Syntax** :TRIGger[:EDGE]:COUpling <coupling>

<coupling> ::= {AC | DC | LFReject}

The :TRIGger[:EDGE]:COUpling command sets the input coupling for the selected trigger sources. The coupling can be set to AC, DC, or LFReject.

- AC coupling places a high-pass filter (10 Hz for analog channels, and 3.5 Hz for all External trigger inputs) in the trigger path, removing dc offset voltage from the trigger waveform. Use AC coupling to get a stable edge trigger when your waveform has a large dc offset.
- LFReject coupling places a 50 KHz high-pass filter in the trigger path.
- DC coupling allows dc and ac signals into the trigger path.

### NOTE

The :TRIGger[:EDGE]:COUpling and the :TRIGger[:EDGE]:REJect selections are coupled. Changing the setting of the :TRIGger[:EDGE]:REJect can change the COUpling setting.

**Query Syntax** :TRIGger[:EDGE]:COUpling?

The :TRIGger[:EDGE]:COUpling? query returns the current coupling selection.

**Return Format** <coupling><NL>

<coupling> ::= {AC | DC | LFR}

- See Also**
- ["Introduction to :TRIGger Commands"](#) on page 911
  - [":TRIGger:MODE"](#) on page 920
  - [":TRIGger\[:EDGE\]:REJect"](#) on page 938



## :TRIGger[:EDGE]:LEVel

**C** (see [page 1172](#))

**Command Syntax** :TRIGger[:EDGE]:LEVel <level>  
 <level> ::= <level>[,<source>]  
 <level> ::= 0.75 x full-scale voltage from center screen in NR3 format  
 for internal triggers  
 <level> ::= ±(external range setting) in NR3 format  
 for external triggers  
 <level> ::= ±8 V for digital channels (MSO models)  
 <source> ::= {CHANnel<n> | EXTernal} for the DSO models  
 <source> ::= {CHANnel<n> | DIGital<d> | EXTernal}  
 for the MSO models  
 <n> ::= 1 to (# analog channels) in NR1 format  
 <d> ::= 0 to (# digital channels - 1) in NR1 format

The :TRIGger[:EDGE]:LEVel command sets the trigger level voltage for the active trigger source.

**NOTE**

If the optional source is specified and is not the active source, the level on the active source is not affected and the active source is not changed.

**Query Syntax** :TRIGger[:EDGE]:LEVel? [<source>]

The :TRIGger[:EDGE]:LEVel? query returns the trigger level of the current trigger source.

**Return Format** <level><NL>

- See Also**
- ["Introduction to :TRIGger Commands"](#) on page 911
  - [":TRIGger\[:EDGE\]:SOURce"](#) on page 940
  - [":EXTernal:RANGe"](#) on page 338
  - [":POD<n>:THReshold"](#) on page 551
  - [":DIGital<d>:THReshold"](#) on page 309

**:TRIGger[:EDGE]:REJect**

**C** (see [page 1172](#))

**Command Syntax**    `:TRIGger[:EDGE]:REJect <reject>`  
`<reject> ::= {OFF | LFReject | HFReject}`

The `:TRIGger[:EDGE]:REJect` command turns the low-frequency or high-frequency reject filter on or off. You can turn on one of these filters at a time.

- The high frequency reject filter adds a 50 kHz low-pass filter in the trigger path to remove high frequency components from the trigger waveform. Use the high frequency reject filter to remove high-frequency noise, such as AM or FM broadcast stations, from the trigger path.
- The low frequency reject filter adds a 50 kHz high-pass filter in series with the trigger waveform to remove any unwanted low frequency components from a trigger waveform, such as power line frequencies, that can interfere with proper triggering.

**NOTE**

The `:TRIGger[:EDGE]:REJect` and the `:TRIGger[:EDGE]:COUPling` selections are coupled. Changing the setting of the `:TRIGger[:EDGE]:COUPling` can change the `COUPling` setting.

**Query Syntax**    `:TRIGger[:EDGE]:REJect?`

The `:TRIGger[:EDGE]:REJect?` query returns the current status of the reject filter.

**Return Format**    `<reject><NL>`  
`<reject> ::= {OFF | LFR | HFR}`

- See Also**
- ["Introduction to :TRIGger Commands"](#) on page 911
  - [":TRIGger:HFReject"](#) on page 915
  - [":TRIGger\[:EDGE\]:COUPling"](#) on page 936

## :TRIGger[:EDGE]:SLOPe

**C** (see [page 1172](#))

**Command Syntax** :TRIGger[:EDGE]:SLOPe <slope>

<slope> ::= {NEGative | POSitive | EITHer | ALTErnate}

The :TRIGger[:EDGE]:SLOPe command specifies the slope of the edge for the trigger. The SLOPe command is not valid in TV trigger mode. Instead, use :TRIGger:TV:POLarity to set the polarity in TV trigger mode.

**Query Syntax** :TRIGger[:EDGE]:SLOPe?

The :TRIGger[:EDGE]:SLOPe? query returns the current trigger slope.

**Return Format** <slope><NL>

<slope> ::= {NEG | POS | EITH | ALT}

**See Also** • ["Introduction to :TRIGger Commands"](#) on page 911

• [":TRIGger:MODE"](#) on page 920

• [":TRIGger:TV:POLarity"](#) on page 979

**Example Code** ' TRIGGER\_EDGE\_SLOPE - Sets the slope of the edge for the trigger.

```
' Set the slope to positive.
myScope.WriteString ":TRIGGER:EDGE:SLOPE POSITIVE"
```

See complete example programs at: [Chapter 40](#), "Programming Examples," starting on page 1181

## :TRIGger[:EDGE]:SOURce

**C** (see [page 1172](#))

**Command Syntax** :TRIGger[:EDGE]:SOURce <source>

<source> ::= {CHANnel<n> | EXTernal | LINE | WGEN} for the DSO models

<source> ::= {CHANnel<n> | DIGital<d> | EXTernal | LINE | WGEN} for the MSO models

<n> ::= 1 to (# analog channels) in NR1 format

<d> ::= 0 to (# digital channels - 1) in NR1 format

The :TRIGger[:EDGE]:SOURce command selects the input that produces the trigger.

- EXTernal – triggers on the rear panel EXT TRIG IN signal.
- LINE – triggers at the 50% level of the rising or falling edge of the AC power source signal.
- WGEN – triggers at the 50% level of the rising edge of the waveform generator output signal. This option is not available when the DC, NOISe, or CARDiac waveforms are selected.

**Query Syntax** :TRIGger[:EDGE]:SOURce?

The :TRIGger[:EDGE]:SOURce? query returns the current source. If all channels are off, the query returns "NONE."

**Return Format** <source><NL>

<source> ::= {CHAN<n> | EXT | LINE | WGEN | NONE} for the DSO models

<source> ::= {CHAN<n> | DIG<d> | EXTernal | LINE | WGEN | NONE} for the MSO models

- See Also**
- ["Introduction to :TRIGger Commands"](#) on page 911
  - [":TRIGger:MODE"](#) on page 920

**Example Code**

```
' TRIGGER_EDGE_SOURCE - Selects the channel that actually produces the
e
' edge trigger. Any channel can be selected.
myScope.WriteString ":TRIGger:EDGE:SOURce CHANnel1"
```

See complete example programs at: [Chapter 40](#), "Programming Examples," starting on page 1181

## :TRIGger:GLITch Commands

**Table 130** :TRIGger:GLITch Commands Summary

Command	Query	Options and Query Returns
:TRIGger:GLITch:GREAt erthan <greater_than_time>[s uffix] (see <a href="#">page 943</a> )	:TRIGger:GLITch:GREAt erthan? (see <a href="#">page 943</a> )	<greater_than_time> ::= floating-point number in NR3 format  [suffix] ::= {s   ms   us   ns   ps}
:TRIGger:GLITch:LESSt han <less_than_time>[suff ix] (see <a href="#">page 944</a> )	:TRIGger:GLITch:LESSt han? (see <a href="#">page 944</a> )	<less_than_time> ::= floating-point number in NR3 format  [suffix] ::= {s   ms   us   ns   ps}
:TRIGger:GLITch:LEVel <level> [<source>] (see <a href="#">page 945</a> )	:TRIGger:GLITch:LEVel ? (see <a href="#">page 945</a> )	For internal triggers, <level> ::= .75 x full-scale voltage from center screen in NR3 format.  For external triggers (DSO models), <level> ::= ±(external range setting) in NR3 format.  For digital channels (MSO models), <level> ::= ±8 V.  <source> ::= {CHANnel<n>   EXTernal} for DSO models  <source> ::= {CHANnel<n>   DIGital<d>} for MSO models  <n> ::= 1 to (# analog channels) in NR1 format  <d> ::= 0 to (# digital channels - 1) in NR1 format
:TRIGger:GLITch:POLar ity <polarity> (see <a href="#">page 946</a> )	:TRIGger:GLITch:POLar ity? (see <a href="#">page 946</a> )	<polarity> ::= {POSitive   NEGative}
:TRIGger:GLITch:QUALi fier <qualifier> (see <a href="#">page 947</a> )	:TRIGger:GLITch:QUALi fier? (see <a href="#">page 947</a> )	<qualifier> ::= {GREATERthan   LESSthan   RANGE}

**Table 130** :TRIGger:GLITCh Commands Summary (continued)

Command	Query	Options and Query Returns
:TRIGger:GLITCh:RANGe <less_than_time>[suffix], <greater_than_time>[suffix] (see <a href="#">page 948</a> )	:TRIGger:GLITCh:RANGe? (see <a href="#">page 948</a> )	<less_than_time> ::= 15 ns to 10 seconds in NR3 format  <greater_than_time> ::= 10 ns to 9.99 seconds in NR3 format  [suffix] ::= {s   ms   us   ns   ps}
:TRIGger:GLITCh:SOURce <source> (see <a href="#">page 949</a> )	:TRIGger:GLITCh:SOURce? (see <a href="#">page 949</a> )	<source> ::= {CHANnel<n>   DIGital<d>}  <n> ::= 1 to (# analog channels) in NR1 format  <d> ::= 0 to (# digital channels - 1) in NR1 format

## :TRIGger:GLITch:GREaterthan

**N** (see [page 1172](#))

**Command Syntax** :TRIGger:GLITch:GREaterthan <greater\_than\_time>[<suffix>]

<greater\_than\_time> ::= floating-point number in NR3 format

<suffix> ::= {s | ms | us | ns | ps}

The :TRIGger:GLITch:GREaterthan command sets the minimum pulse width duration for the selected :TRIGger:GLITch:SOURce.

**Query Syntax** :TRIGger:GLITch:GREaterthan?

The :TRIGger:GLITch:GREaterthan? query returns the minimum pulse width duration time for :TRIGger:GLITch:SOURce.

**Return Format** <greater\_than\_time><NL>

<greater\_than\_time> ::= floating-point number in NR3 format.

- See Also**
- ["Introduction to :TRIGger Commands"](#) on page 911
  - [":TRIGger:GLITch:SOURce"](#) on page 949
  - [":TRIGger:GLITch:QUALifier"](#) on page 947
  - [":TRIGger:MODE"](#) on page 920

## :TRIGger:GLITCh:LESSthan

**N** (see [page 1172](#))

**Command Syntax** :TRIGger:GLITCh:LESSthan <less\_than\_time> [<suffix>]

<less\_than\_time> ::= floating-point number in NR3 format

<suffix> ::= {s | ms | us | ns | ps}

The :TRIGger:GLITCh:LESSthan command sets the maximum pulse width duration for the selected :TRIGger:GLITCh:SOURce.

**Query Syntax** :TRIGger:GLITCh:LESSthan?

The :TRIGger:GLITCh:LESSthan? query returns the pulse width duration time for :TRIGger:GLITCh:SOURce.

**Return Format** <less\_than\_time><NL>

<less\_than\_time> ::= floating-point number in NR3 format.

- See Also**
- ["Introduction to :TRIGger Commands"](#) on page 911
  - [":TRIGger:GLITCh:SOURce"](#) on page 949
  - [":TRIGger:GLITCh:QUALifier"](#) on page 947
  - [":TRIGger:MODE"](#) on page 920



## :TRIGger:GLITch:LEVel

**N** (see [page 1172](#))

**Command Syntax** :TRIGger:GLITch:LEVel <level\_argument>  
 <level\_argument> ::= <level>[, <source>]  
 <level> ::= .75 x full-scale voltage from center screen in NR3 format  
 for internal triggers  
 <level> ::= ±(external range setting) in NR3 format  
 for external triggers (DSO models)  
 <level> ::= ±8 V for digital channels (MSO models)  
 <source> ::= {CHANnel<n> | EXTernal} for DSO models  
 <source> ::= {CHANnel<n> | DIGital<d>} for MSO models  
 <n> ::= 1 to (# analog channels) in NR1 format  
 <d> ::= 0 to (# digital channels - 1) in NR1 format  
 The :TRIGger:GLITch:LEVel command sets the trigger level voltage for the active pulse width trigger.

**Query Syntax** :TRIGger:GLITch:LEVel?

The :TRIGger:GLITch:LEVel? query returns the trigger level of the current pulse width trigger mode. If all channels are off, the query returns "NONE."

**Return Format** <level\_argument><NL>

- See Also**
- ["Introduction to :TRIGger Commands"](#) on page 911
  - [":TRIGger:MODE"](#) on page 920
  - [":TRIGger:GLITch:SOURce"](#) on page 949
  - [":EXTernal:RANGe"](#) on page 338

## :TRIGger:GLITch:POLarity

**N** (see [page 1172](#))

**Command Syntax** :TRIGger:GLITch:POLarity <polarity>  
 <polarity> ::= {POSitive | NEGative}

The :TRIGger:GLITch:POLarity command sets the polarity for the glitch pulse width trigger.

**Query Syntax** :TRIGger:GLITch:POLarity?

The :TRIGger:GLITch:POLarity? query returns the glitch pulse width trigger polarity.

**Return Format** <polarity><NL>  
 <polarity> ::= {POS | NEG}

- See Also**
- ["Introduction to :TRIGger Commands"](#) on page 911
  - [":TRIGger:MODE"](#) on page 920
  - [":TRIGger:GLITch:SOURce"](#) on page 949

## :TRIGger:GLITch:QUALifier

**N** (see [page 1172](#))

**Command Syntax** :TRIGger:GLITch:QUALifier <operator>

<operator> ::= {GREATERthan | LESSthan | RANGE}

This command sets the mode of operation of the glitch pulse width trigger. The oscilloscope can trigger on a pulse width that is greater than a time value, less than a time value, or within a range of time values.

**Query Syntax** :TRIGger:GLITch:QUALifier?

The :TRIGger:GLITch:QUALifier? query returns the glitch pulse width qualifier.

**Return Format** <operator><NL>

<operator> ::= {GRE | LESS | RANG}

- See Also**
- ["Introduction to :TRIGger Commands"](#) on page 911
  - [":TRIGger:GLITch:SOURce"](#) on page 949
  - [":TRIGger:MODE"](#) on page 920

**:TRIGger:GLITch:RANGe**

**N** (see [page 1172](#))

**Command Syntax** `:TRIGger:GLITch:RANGe <less_than_time>[suffix],  
<greater_than_time>[suffix]`

`<less_than_time> ::= (15 ns - 10 seconds) in NR3 format`

`<greater_than_time> ::= (10 ns - 9.99 seconds) in NR3 format`

`[suffix] ::= {s | ms | us | ns | ps}`

The `:TRIGger:GLITch:RANGe` command sets the pulse width duration for the selected `:TRIGger:GLITch:SOURce`. You can enter the parameters in any order – the smaller value becomes the `<greater_than_time>` and the larger value becomes the `<less_than_time>`.

**Query Syntax** `:TRIGger:GLITch:RANGe?`

The `:TRIGger:GLITch:RANGe?` query returns the pulse width duration time for `:TRIGger:GLITch:SOURce`.

**Return Format** `<less_than_time>,<greater_than_time><NL>`

- See Also**
- ["Introduction to :TRIGger Commands"](#) on page 911
  - [":TRIGger:GLITch:SOURce"](#) on page 949
  - [":TRIGger:GLITch:QUALifier"](#) on page 947
  - [":TRIGger:MODE"](#) on page 920

## :TRIGger:GLITch:SOURce

**N** (see [page 1172](#))

**Command Syntax** :TRIGger:GLITch:SOURce <source>

<source> ::= {DIGital<d> | CHANnel<n>}

<n> ::= 1 to (# analog channels) in NR1 format

<d> ::= 0 to (# digital channels - 1) in NR1 format

The :TRIGger:GLITch:SOURce command selects the channel that produces the pulse width trigger.

**Query Syntax** :TRIGger:GLITch:SOURce?

The :TRIGger:GLITch:SOURce? query returns the current pulse width source. If all channels are off, the query returns "NONE".

**Return Format** <source><NL>

- See Also**
- ["Introduction to :TRIGger Commands"](#) on page 911
  - [":TRIGger:MODE"](#) on page 920
  - [":TRIGger:GLITch:LEVel"](#) on page 945
  - [":TRIGger:GLITch:POLarity"](#) on page 946
  - [":TRIGger:GLITch:QUALifier"](#) on page 947
  - [":TRIGger:GLITch:RANGE"](#) on page 948

**Example Code** • ["Example Code"](#) on page 940

## :TRIGger:OR Commands

**Table 131** :TRIGger:OR Commands Summary

Command	Query	Options and Query Returns
:TRIGger:OR <string> (see <a href="#">page 951</a> )	:TRIGger:OR? (see <a href="#">page 951</a> )	<p>&lt;string&gt; ::= "nn...n" where n ::= {R   F   E   X}</p> <p>R = rising edge, F = falling edge, E = either edge, X = don't care.</p> <p>Each character in the string is for an analog or digital channel as shown on the front panel display.</p>

## :TRIGger:OR

**N** (see [page 1172](#))

**Command Syntax** :TRIGger:OR <string>

<string> ::= "nn...n" where n ::= {R | F | E | X}

R = rising edge, F = falling edge, E = either edge, X = don't care.

The :TRIGger:OR command specifies the edges to include in the OR'ed edge trigger.

In the <string> parameter, each bit corresponds to a channel as described in the following table:

Oscilloscope Models	Value and Mask Bit Assignments
<b>4 analog + 16 digital channels (mixed-signal)</b>	Bits 0 through 15 - digital channels 0 through 15. Bits 16 through 19 - analog channels 4 through 1.
<b>2 analog + 16 digital channels (mixed-signal)</b>	Bits 0 through 15 - digital channels 0 through 15. Bits 16 and 17 - analog channels 2 and 1.
<b>4 analog channels only</b>	Bits 0 through 3 - analog channels 4 through 1.
<b>2 analog channels only</b>	Bits 0 and 1 - analog channels 2 and 1.

**Query Syntax** :TRIGger:OR?

The :TRIGger:OR? query returns the current OR'ed edge trigger string.

**Return Format** <string><NL>

- See Also**
- ["Introduction to :TRIGger Commands"](#) on page 911
  - [":TRIGger:MODE"](#) on page 920

## :TRIGger:PATtern Commands

**Table 132** :TRIGger:PATtern Commands Summary

Command	Query	Options and Query Returns
:TRIGger:PATtern <string>[,<edge_source>,<edge>] (see <a href="#">page 953</a> )	:TRIGger:PATtern? (see <a href="#">page 954</a> )	<string> ::= "nn...n" where n ::= {0   1   X   R   F} when <base> = ASCII <string> ::= "0xnn...n" where n ::= {0,...,9   A,...,F   X   \$} when <base> = HEX  <edge_source> ::= {CHANnel<n>   NONE} for DSO models  <edge_source> ::= {CHANnel<n>   DIGital<d>   NONE} for MSO models  <n> ::= 1 to (# analog channels) in NR1 format  <d> ::= 0 to (# digital channels - 1) in NR1 format  <edge> ::= {POSitive   NEGative}
:TRIGger:PATtern:FORM at <base> (see <a href="#">page 955</a> )	:TRIGger:PATtern:FORM at? (see <a href="#">page 955</a> )	<base> ::= {ASCII   HEX}
:TRIGger:PATtern:GREa terthan <greater_than_time>[suffix] (see <a href="#">page 956</a> )	:TRIGger:PATtern:GREa terthan? (see <a href="#">page 956</a> )	<greater_than_time> ::= floating-point number in NR3 format  [suffix] ::= {s   ms   us   ns   ps}
:TRIGger:PATtern:LESS than <less_than_time>[suffix] (see <a href="#">page 957</a> )	:TRIGger:PATtern:LESS than? (see <a href="#">page 957</a> )	<less_than_time> ::= floating-point number in NR3 format  [suffix] ::= {s   ms   us   ns   ps}
:TRIGger:PATtern:QUAL ifier <qualifier> (see <a href="#">page 958</a> )	:TRIGger:PATtern:QUAL ifier? (see <a href="#">page 958</a> )	<qualifier> ::= {ENTERed   GREaterthan   LESSthan   INRange   OUTRange   TIMEout}
:TRIGger:PATtern:RANG e <less_than_time>[suffix], <greater_than_time>[suffix] (see <a href="#">page 959</a> )	:TRIGger:PATtern:RANG e? (see <a href="#">page 959</a> )	<less_than_time> ::= 15 ns to 10 seconds in NR3 format  <greater_than_time> ::= 10 ns to 9.99 seconds in NR3 format  [suffix] ::= {s   ms   us   ns   ps}



## :TRIGger:PATtern

**C** (see [page 1172](#))

**Command Syntax** :TRIGger:PATtern <pattern>

<pattern> ::= <string>[,<edge\_source>,<edge>]

<string> ::= "nn...n" where n ::= {0 | 1 | X | R | F} when  
<base> = ASCii

<string> ::= "0xnn...n" where n ::= {0,...,9 | A,...,F | X | \$} when  
<base> = HEX

<edge\_source> ::= {CHANnel<n> | NONE} for DSO models

<edge\_source> ::= {CHANnel<n> | DIGital<d>  
| NONE} for MSO models

<n> ::= 1 to (# of analog channels) in NR1 format

<d> ::= 0 to (# digital channels - 1) in NR1 format

<edge> ::= {POSitive | NEGative}

The :TRIGger:PATtern command specifies the channel values to be used in the pattern trigger.

In the <string> parameter, each bit corresponds to a channel as described in the following table:

Oscilloscope Models	Value and Mask Bit Assignments
<b>4 analog + 16 digital channels (mixed-signal)</b>	Bits 0 through 15 - digital channels 0 through 15. Bits 16 through 19 - analog channels 4 through 1.
<b>2 analog + 16 digital channels (mixed-signal)</b>	Bits 0 through 15 - digital channels 0 through 15. Bits 16 and 17 - analog channels 2 and 1.
<b>4 analog channels only</b>	Bits 0 through 3 - analog channels 4 through 1.
<b>2 analog channels only</b>	Bits 0 and 1 - analog channels 2 and 1.

The format of the <string> parameter depends on the :TRIGger:PATtern:FORMat command setting:

- When the format is ASCii, the string looks just like the string you see on the oscilloscope's front panel, made up of 0, 1, X (don't care), R (rising edge), and F (falling edge) characters.
- When the format is HEX, the string begins with "0x" and contains hex digit characters or X (don't care for all four bits in the nibble).

With the hex format string, you can use the <edge\_source> and <edge> parameters to specify an edge on one of the channels.

**NOTE**

The optional <edge\_source> and <edge> parameters should be sent together or not at all. The edge can be specified in the ASCII <string> parameter. If the edge source and edge parameters are used, they take precedence.

---

You can only specify an edge on one channel. When an edge is specified, the :TRIGger:PATtern:QUALifier does not apply.

**Query Syntax** :TRIGger:PATtern?

The :TRIGger:PATtern? query returns the pattern string, edge source, and edge.

**Return Format** <string>, <edge\_source>, <edge><NL>

- See Also**
- ["Introduction to :TRIGger Commands"](#) on page 911
  - [":TRIGger:PATtern:FORMat"](#) on page 955
  - [":TRIGger:PATtern:QUALifier"](#) on page 958
  - [":TRIGger:MODE"](#) on page 920

## :TRIGger:PATtern:FORMat

**N** (see [page 1172](#))

**Command Syntax** :TRIGger:PATtern:FORMat <base>

<base> ::= {ASCii | HEX}

The :TRIGger:PATtern:FORMat command sets the entry (and query) number base used by the :TRIGger:PATtern command. The default <base> is ASCii.

**Query Syntax** :TRIGger:PATtern:FORMat?

The :TRIGger:PATtern:FORMat? query returns the currently set number base for pattern trigger patterns.

**Return Format** <base><NL>

<base> ::= {ASC | HEX}

- See Also**
- ["Introduction to :TRIGger Commands"](#) on page 911
  - [":TRIGger:PATtern"](#) on page 953

## :TRIGger:PATtern:GREaterthan

**N** (see [page 1172](#))

**Command Syntax** :TRIGger:PATtern:GREaterthan <greater\_than\_time> [<suffix>]  
 <greater\_than\_time> ::= minimum trigger duration in seconds  
 in NR3 format  
 <suffix> ::= {s | ms | us | ns | ps }

The :TRIGger:PATtern:GREaterthan command sets the minimum duration for the defined pattern when :TRIGger:PATtern:QUALifier is set to GREaterthan. The command also sets the timeout value when the :TRIGger:PATtern:QUALifier is set to TIMEout.

**Query Syntax** :TRIGger:PATtern:GREaterthan?

The :TRIGger:PATtern:GREaterthan? query returns the minimum duration time for the defined pattern.

**Return Format** <greater\_than\_time><NL>

- See Also**
- ["Introduction to :TRIGger Commands"](#) on page 911
  - [":TRIGger:PATtern"](#) on page 953
  - [":TRIGger:PATtern:QUALifier"](#) on page 958
  - [":TRIGger:MODE"](#) on page 920

## :TRIGger:PATtern:LESSthan

**N** (see [page 1172](#))

**Command Syntax** :TRIGger:PATtern:LESSthan <less\_than\_time> [<suffix>]  
 <less\_than\_time> ::= maximum trigger duration in seconds  
 in NR3 format  
 <suffix> ::= {s | ms | us | ns | ps}

The :TRIGger:PATtern:LESSthan command sets the maximum duration for the defined pattern when :TRIGger:PATtern:QUALifier is set to LESSthan.

**Query Syntax** :TRIGger:PATtern:LESSthan?

The :TRIGger:PATtern:LESSthan? query returns the duration time for the defined pattern.

**Return Format** <less\_than\_time><NL>

- See Also**
- ["Introduction to :TRIGger Commands"](#) on page 911
  - [":TRIGger:PATtern"](#) on page 953
  - [":TRIGger:PATtern:QUALifier"](#) on page 958
  - [":TRIGger:MODE"](#) on page 920

## :TRIGger:PATtern:QUALifier

**N** (see [page 1172](#))

**Command Syntax** :TRIGger:PATtern:QUALifier <qualifier>

```
<qualifier> ::= {ENTERed | GREATERthan | LESSthan | INRange | OUTRange
                | TIMEout}
```

The :TRIGger:PATtern:QUALifier command qualifies when the trigger occurs:

- ENTERed – when the pattern is entered.
- LESSthan – when the pattern is present for less than a time value.
- GREATERthan – when the pattern is present for greater than a time value. The trigger occurs when the pattern exits (not when the GREATERthan time value is exceeded).
- TIMEout – when the pattern is present for greater than a time value. In this case, the trigger occurs when the GREATERthan time value is exceeded (not when the pattern exits).
- INRange – when the pattern is present for a time within a range of values.
- OUTRange – when the pattern is present for a time outside of range of values.

Pattern durations are evaluated using a timer. The timer starts on the last edge that makes the pattern (logical AND) true. Except when the TIMEout qualifier is selected, the trigger occurs on the first edge that makes the pattern false, provided the time qualifier criteria has been met.

Set the GREATERthan qualifier value with the :TRIGger:PATtern:GREATERthan command.

Set the LESSthan qualifier value with the :TRIGger:PATtern:LESSthan command.

Set the INRange and OUTRange qualifier values with the :TRIGger:PATtern:RANGE command.

Set the TIMEout qualifier value with the :TRIGger:PATtern:GREATERthan command.

**Query Syntax** :TRIGger:PATtern:QUALifier?

The :TRIGger:PATtern:QUALifier? query returns the trigger duration qualifier.

**Return Format** <qualifier><NL>

- See Also**
- ["Introduction to :TRIGger Commands"](#) on page 911
  - [":TRIGger:PATtern:GREATERthan"](#) on page 956
  - [":TRIGger:PATtern:LESSthan"](#) on page 957
  - [":TRIGger:PATtern:RANGE"](#) on page 959



## :TRIGger:RUNT Commands

**Table 133** :TRIGger:RUNT Commands Summary

Command	Query	Options and Query Returns
:TRIGger:RUNT:POLarity <polarity> (see <a href="#">page 961</a> )	:TRIGger:RUNT:POLarity? (see <a href="#">page 961</a> )	<polarity> ::= {POSitive   NEGative   EITHER}
:TRIGger:RUNT:QUALifier <qualifier> (see <a href="#">page 962</a> )	:TRIGger:RUNT:QUALifier? (see <a href="#">page 962</a> )	<qualifier> ::= {GREaterthan   LESSthan   NONE}
:TRIGger:RUNT:SOURce <source> (see <a href="#">page 963</a> )	:TRIGger:RUNT:SOURce? (see <a href="#">page 963</a> )	<source> ::= CHANNEL<n> <n> ::= 1 to (# analog channels) in NR1 format
:TRIGger:RUNT:TIME <time>[suffix] (see <a href="#">page 964</a> )	:TRIGger:RUNT:TIME? (see <a href="#">page 964</a> )	<time> ::= floating-point number in NR3 format [suffix] ::= {s   ms   us   ns   ps}



## :TRIGger:RUNT:POLarity

**N** (see [page 1172](#))

**Command Syntax** :TRIGger:RUNT:POLarity <polarity>  
 <polarity> ::= {POSitive | NEGative | EITHer}

The :TRIGger:RUNT:POLarity command sets the polarity for the runt trigger:

- POSitive – positive runt pulses.
- NEGative – negative runt pulses.
- EITHer – either positive or negative runt pulses.

**Query Syntax** :TRIGger:RUNT:POLarity?

The :TRIGger:RUNT:POLarity? query returns the runt trigger polarity.

**Return Format** <polarity><NL>  
 <polarity> ::= {POS | NEG | EITH}

- See Also**
- ["Introduction to :TRIGger Commands"](#) on page 911
  - [":TRIGger:MODE"](#) on page 920
  - [":TRIGger:LEVel:HIGH"](#) on page 918
  - [":TRIGger:LEVel:LOW"](#) on page 919
  - [":TRIGger:RUNT:SOURce"](#) on page 963

## :TRIGger:RUNT:QUALifier

**N** (see [page 1172](#))

**Command Syntax** :TRIGger:RUNT:QUALifier <qualifier>

<qualifier> ::= {GREaterthan | LESSthan | NONE}

The :TRIGger:RUNT:QUALifier command selects the qualifier used for specifying runt pulse widths:

- GREaterthan – triggers on runt pulses whose width is greater than the :TRIGger:RUNT:TIME.
- LESSthan – triggers on runt pulses whose width is less than the :TRIGger:RUNT:TIME.
- NONE – triggers on runt pulses of any width.

**Query Syntax** :TRIGger:RUNT:QUALifier?

The :TRIGger:RUNT:QUALifier? query returns the runt trigger qualifier setting.

**Return Format** <qualifier><NL>

<qualifier> ::= {GRE | LESS NONE}

- See Also**
- ["Introduction to :TRIGger Commands"](#) on page 911
  - [":TRIGger:MODE"](#) on page 920
  - [":TRIGger:RUNT:TIME"](#) on page 964

## :TRIGger:RUNT:SOURce

**N** (see [page 1172](#))

**Command Syntax** :TRIGger:RUNT:SOURce <source>

<source> ::= CHANnel<n>

<n> ::= 1 to (# analog channels) in NR1 format

The :TRIGger:RUNT:SOURce command selects the channel used to produce the trigger.

**Query Syntax** :TRIGger:RUNT:SOURce?

The :TRIGger:RUNT:SOURce? query returns the current runt trigger source.

**Return Format** <source><NL>

<source> ::= CHAN<n>

- See Also**
- ["Introduction to :TRIGger Commands"](#) on page 911
  - [":TRIGger:RUNT:POLarity"](#) on page 961

## :TRIGger:RUNT:TIME

**N** (see [page 1172](#))

**Command Syntax** :TRIGger:RUNT:TIME <time>[suffix]

<time> ::= floating-point number in NR3 format

[suffix] ::= {s | ms | us | ns | ps}

When triggering on runt pulses whose width is greater than or less than a certain value (see :TRIGger:RUNT:QUALifier), the :TRIGger:RUNT:TIME command specifies the time used with the qualifier.

**Query Syntax** :TRIGger:RUNT:TIME?

The :TRIGger:RUNT:TIME? query returns the current runt pulse qualifier time setting.

**Return Format** <time><NL>

<time> ::= floating-point number in NR3 format

- See Also**
- ["Introduction to :TRIGger Commands"](#) on page 911
  - [":TRIGger:RUNT:QUALifier"](#) on page 962

## :TRIGger:SHOLd Commands

**Table 134** :TRIGger:SHOLd Commands Summary

Command	Query	Options and Query Returns
:TRIGger:SHOLd:SLOPe <slope> (see <a href="#">page 966</a> )	:TRIGger:SHOLd:SLOPe? (see <a href="#">page 966</a> )	<slope> ::= {NEGative   POSitive}
:TRIGger:SHOLd:SOURce :CLOCK <source> (see <a href="#">page 967</a> )	:TRIGger:SHOLd:SOURce :CLOCK? (see <a href="#">page 967</a> )	<source> ::= {CHANnel<n>   DIGital<d>}  <n> ::= 1 to (# analog channels) in NR1 format  <d> ::= 0 to (# digital channels - 1) in NR1 format
:TRIGger:SHOLd:SOURce :DATA <source> (see <a href="#">page 968</a> )	:TRIGger:SHOLd:SOURce :DATA? (see <a href="#">page 968</a> )	<source> ::= {CHANnel<n>   DIGital<d>}  <n> ::= 1 to (# analog channels) in NR1 format  <d> ::= 0 to (# digital channels - 1) in NR1 format
:TRIGger:SHOLd:TIME:H OLD <time>[suffix] (see <a href="#">page 969</a> )	:TRIGger:SHOLd:TIME:H OLD? (see <a href="#">page 969</a> )	<time> ::= floating-point number in NR3 format  [suffix] ::= {s   ms   us   ns   ps}
:TRIGger:SHOLd:TIME:S ETup <time>[suffix] (see <a href="#">page 970</a> )	:TRIGger:SHOLd:TIME:S ETup? (see <a href="#">page 970</a> )	<time> ::= floating-point number in NR3 format  [suffix] ::= {s   ms   us   ns   ps}

## :TRIGger:SHOLd:SLOPe

**N** (see [page 1172](#))

**Command Syntax** :TRIGger:SHOLd:SLOPe <slope>

<slope> ::= {NEGative | POSitive}

The :TRIGger:SHOLd:SLOPe command specifies whether the rising edge or the falling edge of the clock signal is used.

**Query Syntax** :TRIGger:SHOLd:SLOPe?

The :TRIGger:SHOLd:SLOPe? query returns the current rising or falling edge setting.

**Return Format** <slope><NL>

<slope> ::= {NEG | POS}

- See Also**
- ["Introduction to :TRIGger Commands"](#) on page 911
  - [":TRIGger:MODE"](#) on page 920
  - [":TRIGger:SHOLd:SOURce:CLOCK"](#) on page 967
  - [":TRIGger:SHOLd:SOURce:DATA"](#) on page 968

## :TRIGger:SHOLd:SOURce:CLOCK

**N** (see [page 1172](#))

**Command Syntax** :TRIGger:SHOLd:SOURce:CLOCK <source>

<source> ::= {CHANnel<n> | DIGital<d>}

<n> ::= 1 to (# analog channels) in NR1 format

<d> ::= 0 to (# digital channels - 1) in NR1 format

The :TRIGger:SHOLd:SOURce:CLOCK command selects the input channel probing the clock signal.

**Query Syntax** :TRIGger:SHOLd:SOURce:CLOCK?

The :TRIGger:SHOLd:SOURce:CLOCK? query returns the currently set clock signal source.

**Return Format** <source><NL>

<source> ::= {CHAN<n> | DIG<d>}

- See Also**
- ["Introduction to :TRIGger Commands"](#) on page 911
  - [":TRIGger:MODE"](#) on page 920
  - [":TRIGger:SHOLd:SLOPe"](#) on page 966

## :TRIGger:SHOLd:SOURce:DATA

**N** (see [page 1172](#))

**Command Syntax** :TRIGger:SHOLd:SOURce:DATA <source>

<source> ::= {CHANnel<n> | DIGital<d>}

<n> ::= 1 to (# analog channels) in NR1 format

<d> ::= 0 to (# digital channels - 1) in NR1 format

The :TRIGger:SHOLd:SOURce:DATA command selects the input channel probing the data signal.

**Query Syntax** :TRIGger:SHOLd:SOURce:DATA?

The :TRIGger:SHOLd:SOURce:DATA? query returns the currently set data signal source.

**Return Format** <source><NL>

<source> ::= {CHAN<n> | DIG<d>}

- See Also**
- ["Introduction to :TRIGger Commands"](#) on page 911
  - [":TRIGger:MODE"](#) on page 920
  - [":TRIGger:SHOLd:SLOPe"](#) on page 966



## :TRIGger:SHOLd:TIME:HOLD

**N** (see [page 1172](#))

**Command Syntax** :TRIGger:SHOLd:TIME:HOLD <time>[suffix]

<time> ::= floating-point number in NR3 format

[suffix] ::= {s | ms | us | ns | ps}

The :TRIGger:SHOLd:TIME:HOLD command sets the hold time.

**Query Syntax** :TRIGger:SHOLd:TIME:HOLD?

The :TRIGger:SHOLd:TIME:HOLD? query returns the currently specified hold time.

**Return Format** <time><NL>

<time> ::= floating-point number in NR3 format

**See Also** • ["Introduction to :TRIGger Commands"](#) on page 911

## :TRIGger:SHOLd:TIME:SETup

**N** (see [page 1172](#))

**Command Syntax** :TRIGger:SHOLd:TIME:SETup <time>[suffix]  
 <time> ::= floating-point number in NR3 format  
 [suffix] ::= {s | ms | us | ns | ps}

The :TRIGger:SHOLd:TIME:SETup command sets the setup time.

**Query Syntax** :TRIGger:SHOLd:TIME:SETup?

The :TRIGger:SHOLd:TIME:SETup? query returns the currently specified setup time.

**Return Format** <time><NL>  
 <time> ::= floating-point number in NR3 format

**See Also** • ["Introduction to :TRIGger Commands"](#) on page 911

## :TRIGger:TRANSition Commands

The :TRIGger:TRANSition commands set the rise/fall time trigger options.

**Table 135** :TRIGger:TRANSition Commands Summary

Command	Query	Options and Query Returns
:TRIGger:TRANSition:Q UALifier <qualifier> (see <a href="#">page 972</a> )	:TRIGger:TRANSition:Q UALifier? (see <a href="#">page 972</a> )	<qualifier> ::= {GREATERthan   LESSthan}
:TRIGger:TRANSition:S LOPe <slope> (see <a href="#">page 973</a> )	:TRIGger:TRANSition:S LOPe? (see <a href="#">page 973</a> )	<slope> ::= {NEGative   POSitive}
:TRIGger:TRANSition:S OURce <source> (see <a href="#">page 974</a> )	:TRIGger:TRANSition:S OURce? (see <a href="#">page 974</a> )	<source> ::= CHANNEL<n> <n> ::= 1 to (# analog channels) in NR1 format
:TRIGger:TRANSition:T IME <time>[suffix] (see <a href="#">page 975</a> )	:TRIGger:TRANSition:T IME? (see <a href="#">page 975</a> )	<time> ::= floating-point number in NR3 format [suffix] ::= {s   ms   us   ns   ps}

## :TRIGger:TRANSition:QUALifier

**N** (see [page 1172](#))

**Command Syntax** :TRIGger:TRANSition:QUALifier <qualifier>  
 <qualifier> ::= {GREATERthan | LESSthan}

The :TRIGger:TRANSition:QUALifier command specifies whether you are looking for rise/fall times greater than or less than a certain time value. The time value is set using the :TRIGger:TRANSition:TIME command.

**Query Syntax** :TRIGger:TRANSition:QUALifier?

The :TRIGger:TRANSition:QUALifier? query returns the current rise/fall time trigger qualifier setting.

**Return Format** <qualifier><NL>  
 <qualifier> ::= {GRE | LESS}

- See Also**
- ["Introduction to :TRIGger Commands"](#) on page 911
  - [":TRIGger:TRANSition:TIME"](#) on page 975
  - [":TRIGger:MODE"](#) on page 920

## :TRIGger:TRANSition:SLOPe

**N** (see [page 1172](#))

**Command Syntax** :TRIGger:TRANSition:SLOPe <slope>

<slope> ::= {NEGative | POSitive}

The :TRIGger:TRANSition:SLOPe command specifies a POSitive rising edge or a NEGative falling edge.

**Query Syntax** :TRIGger:TRANSition:SLOPe?

The :TRIGger:TRANSition:SLOPe? query returns the current rise/fall time trigger slope setting.

**Return Format** <slope><NL>

<slope> ::= {NEG | POS}

- See Also**
- ["Introduction to :TRIGger Commands"](#) on page 911
  - [":TRIGger:MODE"](#) on page 920
  - [":TRIGger:TRANSition:SOURce"](#) on page 974

## :TRIGger:TRANSition:SOURce

**N** (see [page 1172](#))

**Command Syntax** :TRIGger:TRANSition:SOURce <source>

<source> ::= CHANnel<n>

<n> ::= 1 to (# analog channels) in NR1 format

The :TRIGger:TRANSition:SOURce command selects the channel used to produce the trigger.

**Query Syntax** :TRIGger:TRANSition:SOURce?

The :TRIGger:TRANSition:SOURce? query returns the current transition trigger source.

**Return Format** <source><NL>

<source> ::= CHAN<n>

- See Also**
- ["Introduction to :TRIGger Commands"](#) on page 911
  - [":TRIGger:MODE"](#) on page 920
  - [":TRIGger:TRANSition:SLOPe"](#) on page 973

## :TRIGger:TRANSition:TIME

**N** (see [page 1172](#))

**Command Syntax** :TRIGger:TRANSition:TIME <time>[suffix]

<time> ::= floating-point number in NR3 format

[suffix] ::= {s | ms | us | ns | ps}

The :TRIGger:TRANSition:TIME command sets the time value for rise/fall time triggers. You also use the :TRIGger:TRANSition:QUALifier command to specify whether you are triggering on times greater than or less than this time value.

**Query Syntax** :TRIGger:TRANSition:TIME?

The :TRIGger:TRANSition:TIME? query returns the current rise/fall time trigger time value.

**Return Format** <time><NL>

<time> ::= floating-point number in NR3 format

- See Also**
- ["Introduction to :TRIGger Commands"](#) on page 911
  - [":TRIGger:TRANSition:QUALifier"](#) on page 972

## :TRIGger:TV Commands

**Table 136** :TRIGger:TV Commands Summary

Command	Query	Options and Query Returns
:TRIGger:TV:LINE <line number> (see page 977)	:TRIGger:TV:LINE? (see page 977)	<line number> ::= integer in NR1 format
:TRIGger:TV:MODE <tv mode> (see page 978)	:TRIGger:TV:MODE? (see page 978)	<tv mode> ::= {FIELD1   FIELD2   AFIELDS   ALINES   LINE   LFIELD1   LFIELD2   LALTERNATE}
:TRIGger:TV:POLarity <polarity> (see page 979)	:TRIGger:TV:POLarity? (see page 979)	<polarity> ::= {POSitive   NEGative}
:TRIGger:TV:SOURce <source> (see page 980)	:TRIGger:TV:SOURce? (see page 980)	<source> ::= {CHANnel<n>} <n> ::= 1 to (# analog channels) in NR1 format
:TRIGger:TV:STANdard <standard> (see page 981)	:TRIGger:TV:STANdard? (see page 981)	<standard> ::= {NTSC   PAL   PALM   SECAM}  <standard> ::= {GENeric   {P480L60HZ   P480}   {P720L60HZ   P720}   {P1080L24HZ   P1080}   P1080L25HZ   P1080L50HZ   P1080L60HZ   {I1080L50HZ   I1080}   I1080L60HZ} with extended video triggering license
:TRIGger:TV:UDTV:ENUM ber <count> (see page 982)	:TRIGger:TV:UDTV:ENUM ber? (see page 982)	<count> ::= edge number in NR1 format
:TRIGger:TV:UDTV:HSYN c {{0   OFF}   {1   ON}} (see page 983)	:TRIGger:TV:UDTV:HSYN c? (see page 983)	{0   1}
:TRIGger:TV:UDTV:HTIM e <time> (see page 984)	:TRIGger:TV:UDTV:HTIM e? (see page 984)	<time> ::= seconds in NR3 format
:TRIGger:TV:UDTV:PGTH an <min_time> (see page 985)	:TRIGger:TV:UDTV:PGTH an? (see page 985)	<min_time> ::= seconds in NR3 format



## :TRIGger:TV:LINE

**N** (see [page 1172](#))

**Command Syntax** :TRIGger:TV:LINE <line\_number>

<line\_number> ::= integer in NR1 format

The :TRIGger:TV:LINE command allows triggering on a specific line of video. The line number limits vary with the standard and mode, as shown in the following table.

**Table 137** TV Trigger Line Number Limits

TV Standard	Mode				
	LINE	LField1	LField2	LALternate	VERTical
NTSC		1 to 263	1 to 262	1 to 262	
PAL		1 to 313	314 to 625	1 to 312	
PAL-M		1 to 263	264 to 525	1 to 262	
SECAM		1 to 313	314 to 625	1 to 312	
GENERIC		1 to 1024	1 to 1024		1 to 1024
P480L60HZ	1 to 525				
P720L60HZ	1 to 750				
P1080L24HZ	1 to 1125				
P1080L25HZ	1 to 1125				
P1080L50HZ	1 to 1125				
P1080L60HZ	1 to 1125				
I1080L50HZ	1 to 1125				
I1080L60HZ	1 to 1125				

**Query Syntax** :TRIGger:TV:LINE?

The :TRIGger:TV:LINE? query returns the current TV trigger line number setting.

**Return Format** <line\_number><NL>

<line\_number> ::= integer in NR1 format

- See Also**
- ["Introduction to :TRIGger Commands"](#) on page 911
  - [":TRIGger:TV:STANdard"](#) on page 981
  - [":TRIGger:TV:MODE"](#) on page 978

## :TRIGger:TV:MODE

**N** (see [page 1172](#))

**Command Syntax** :TRIGger:TV:MODE <mode>

```
<mode> ::= {FIEld1 | FIEld2 | AFIElds | ALINes | LINE | LFIeld1
           | LFIeld2 | LALTernate}
```

The :TRIGger:TV:MODE command selects the TV trigger mode and field. The LALTernate parameter is not available when :TRIGger:TV:STANdard is GENeric.

Old forms for <mode> are accepted:

<mode>	Old Forms Accepted
FIEld1	F1
FIEld2	F2
AFIElds	ALLFields, ALLFLDS
ALINes	ALLLines
LFIeld1	LINEF1, LINEFIELD1
LFIeld2	LINEF2, LINEFIELD2
LALTernate	LINEAlt

**Query Syntax** :TRIGger:TV:MODE?

The :TRIGger:TV:MODE? query returns the TV trigger mode.

**Return Format** <value><NL>

```
<value> ::= {FIE1 | FIE2 | AFI | ALIN | LINE | LFI1 | LFI2 | LALT}
```

- See Also**
- ["Introduction to :TRIGger Commands"](#) on page 911
  - [":TRIGger:TV:STANdard"](#) on page 981
  - [":TRIGger:MODE"](#) on page 920

## :TRIGger:TV:POLarity

**N** (see [page 1172](#))

**Command Syntax** :TRIGger:TV:POLarity <polarity>

<polarity> ::= {POSitive | NEGative}

The :TRIGger:TV:POLarity command sets the polarity for the TV trigger.

**Query Syntax** :TRIGger:TV:POLarity?

The :TRIGger:TV:POLarity? query returns the TV trigger polarity.

**Return Format** <polarity><NL>

<polarity> ::= {POS | NEG}

- See Also**
- ["Introduction to :TRIGger Commands"](#) on page 911
  - [":TRIGger:MODE"](#) on page 920
  - [":TRIGger:TV:SOURce"](#) on page 980

## :TRIGger:TV:SOURce

**N** (see [page 1172](#))

**Command Syntax** :TRIGger:TV:SOURce <source>

<source> ::= {CHANnel<n>}

<n> ::= 1 to (# analog channels) in NR1 format

The :TRIGger:TV:SOURce command selects the channel used to produce the trigger.

**Query Syntax** :TRIGger:TV:SOURce?

The :TRIGger:TV:SOURce? query returns the current TV trigger source.

**Return Format** <source><NL>

<source> ::= {CHAN<n>}

- See Also**
- ["Introduction to :TRIGger Commands"](#) on page 911
  - [":TRIGger:MODE"](#) on page 920
  - [":TRIGger:TV:POLarity"](#) on page 979

**Example Code** • ["Example Code"](#) on page 940

## :TRIGger:TV:STANdard

**N** (see [page 1172](#))

**Command Syntax** :TRIGger:TV:STANdard <standard>

```
<standard> ::= {GENeric | NTSC | PALM | PAL | SECam
                | {P480L60HZ | P480} | {P720L60HZ | P720}
                | {P1080L24HZ | P1080} | P1080L25HZ
                | P1080L50HZ | P1080L60HZ
                | {I1080L50HZ | I1080} | I1080L60HZ}
```

The :TRIGger:TV:STANdard command selects the video standard:

- NTSC
- PAL
- PAL-M
- SECAM

With an extended Video triggering license, the oscilloscope additionally supports these standards:

- Generic – GENeric mode is non-interlaced.
- EDTV 480p/60
- HDTV 720p/60
- HDTV 1080p/24
- HDTV 1080p/25
- HDTV 1080i/50
- HDTV 1080i/60

**Query Syntax** :TRIGger:TV:STANdard?

The :TRIGger:TV:STANdard? query returns the current TV trigger standard setting.

**Return Format** <standard><NL>

```
<standard> ::= {GEN | NTSC | PALM | PAL | SEC | P480L60HZ | P760L60HZ
                | P1080L24HZ | P1080L25HZ | P1080L50HZ | P1080L60HZ
                | I1080L50HZ | I1080L60HZ}
```

## :TRIGger:TV:UDTV:ENUMber

**N** (see [page 1172](#))

**Command Syntax** :TRIGger:TV:UDTV:ENUMber <count>

<count> ::= edge number in NR1 format

The :TRIGger:TV:UDTV:ENUMber command specifies the Generic video trigger's Nth edge to trigger on after synchronizing with the vertical sync.

This command is available with the DSOX3VID extended Video triggering license.

**Query Syntax** :TRIGger:TV:UDTV:ENUMber?

The :TRIGger:TV:UDTV:ENUMber query returns the edge count setting.

**Return Format** <count><NL>

<count> ::= edge number in NR1 format

- See Also**
- [":TRIGger:TV:STANdard"](#) on page 981
  - [":TRIGger:TV:UDTV:PGTHan"](#) on page 985
  - [":TRIGger:TV:UDTV:HSYNc"](#) on page 983

## :TRIGger:TV:UDTV:HSYNc

**N** (see [page 1172](#))

**Command Syntax** :TRIGger:TV:UDTV:HSYNc {{0 | OFF} | {1 | ON}}

The :TRIGger:TV:UDTV:HSYNc command enables or disables the horizontal sync control in the Generic video trigger.

For interleaved video, enabling the HSYNc control and setting the HTIME adjustment to the sync time of the probed video signal allows the ENUMber function to count only lines and not double count during equalization. Additionally, the Field Holdoff can be adjusted so that the oscilloscope triggers once per frame.

Similarly, for progressive video with a tri-level sync, enabling the HSYNc control and setting the HTIME adjustment to the sync time of the probed video signal allows the ENUMber function to count only lines and not double count during vertical sync.

This command is available with the DSOX3VID extended Video triggering license.

**Query Syntax** :TRIGger:TV:UDTV:HSYNc?

The :TRIGger:TV:UDTV:HSYNc query returns the horizontal sync control setting.

**Return Format** {0 | 1}

- See Also**
- [":TRIGger:TV:STANdard"](#) on page 981
  - [":TRIGger:TV:UDTV:HTIME"](#) on page 984
  - [":TRIGger:TV:UDTV:ENUMber"](#) on page 982
  - [":TRIGger:TV:UDTV:PGTHan"](#) on page 985

**:TRIGger:TV:UDTV:HTIME**

**N** (see [page 1172](#))

**Command Syntax** :TRIGger:TV:UDTV:HTIME <time>

<time> ::= seconds in NR3 format

When the Generic video trigger's horizontal sync control is enabled, the :TRIGger:TV:UDTV:HTIME command sets the minimum time the horizontal sync pulse must be present to be considered valid.

This command is available with the DSOX3VID extended Video triggering license.

**Query Syntax** :TRIGger:TV:UDTV:HTIME?

The :TRIGger:TV:UDTV:HTIME query returns the horizontal sync time setting.

**Return Format** <time><NL>

<time> ::= seconds in NR3 format

- See Also**
- [":TRIGger:TV:STANdard"](#) on page 981
  - [":TRIGger:TV:UDTV:HSYNc"](#) on page 983



## :TRIGger:TV:UDTV:PGTHan

**N** (see [page 1172](#))

**Command Syntax** :TRIGger:TV:UDTV:PGTHan <min\_time>  
 <min\_time> ::= seconds in NR3 format

The :TRIGger:TV:UDTV:PGTHan command specifies the "greater than the sync pulse width" time in the Generic video trigger. This setting allows oscilloscope synchronization to the vertical sync.

This command is available with the DSOX3VID extended Video triggering license.

**Query Syntax** :TRIGger:TV:UDTV:PGTHan?

The :TRIGger:TV:UDTV:PGTHan query returns the "greater than the sync pulse width" time setting.

**Return Format** <min\_time><NL>  
 <min\_time> ::= seconds in NR3 format

- See Also**
- [":TRIGger:TV:STANdard"](#) on page 981
  - [":TRIGger:TV:UDTV:ENUMber"](#) on page 982
  - [":TRIGger:TV:UDTV:HSYNc"](#) on page 983

## :TRIGger:USB Commands

**Table 138** :TRIGger:USB Commands Summary

Command	Query	Options and Query Returns
:TRIGger:USB:SOURce:D MINus <source> (see page 987)	:TRIGger:USB:SOURce:D MINus? (see page 987)	<source> ::= {CHANnel<n>   EXTernal} for the DSO models  <source> ::= {CHANnel<n>   DIGital<d>} for the MSO models  <n> ::= 1 to (# analog channels) in NR1 format  <d> ::= 0 to (# digital channels - 1) in NR1 format
:TRIGger:USB:SOURce:D PLus <source> (see page 988)	:TRIGger:USB:SOURce:D PLus? (see page 988)	<source> ::= {CHANnel<n>   EXTernal} for the DSO models  <source> ::= {CHANnel<n>   DIGital<d>} for the MSO models  <n> ::= 1 to (# analog channels) in NR1 format  <d> ::= 0 to (# digital channels - 1) in NR1 format
:TRIGger:USB:SPEEd <value> (see page 989)	:TRIGger:USB:SPEEd? (see page 989)	<value> ::= {LOW   FULL}
:TRIGger:USB:TRIGger <value> (see page 990)	:TRIGger:USB:TRIGger? (see page 990)	<value> ::= {SOP   EOP   ENTersuspend   EXITsuspend   RESet}

## :TRIGger:USB:SOURce:DMINus

**N** (see [page 1172](#))

**Command Syntax** :TRIGger:USB:SOURce:DMINus <source>

<source> ::= {CHANnel<n> | EXTernal} for the DSO models

<source> ::= {CHANnel<n> | DIGital<d>} for the MSO models

<n> ::= 1 to (# analog channels) in NR1 format

<d> ::= 0 to (# digital channels - 1) in NR1 format

The :TRIGger:USB:SOURce:DMINus command sets the source for the USB D-signal.

**Query Syntax** :TRIGger:USB:SOURce:DMINus?

The :TRIGger:USB:SOURce:DMINus? query returns the current source for the USB D-signal.

**Return Format** <source><NL>

- See Also**
- ["Introduction to :TRIGger Commands"](#) on page 911
  - [":TRIGger:MODE"](#) on page 920
  - [":TRIGger:USB:SOURce:DPLus"](#) on page 988
  - [":TRIGger:USB:TRIGger"](#) on page 990

**:TRIGger:USB:SOURce:DPLus**

**N** (see [page 1172](#))

**Command Syntax** :TRIGger:USB:SOURce:DPLus <source>

<source> ::= {CHANnel<n> | EXTernal} for the DSO models

<source> ::= {CHANnel<n> | DIGital<d>} for the MSO models

<n> ::= 1 to (# analog channels) in NR1 format

<d> ::= 0 to (# digital channels - 1) in NR1 format

The :TRIGger:USB:SOURce:DPLus command sets the source for the USB D+ signal.

**Query Syntax** :TRIGger:USB:SOURce:DPLus?

The :TRIGger:USB:SOURce:DPLus? query returns the current source for the USB D+ signal.

**Return Format** <source><NL>

- See Also**
- ["Introduction to :TRIGger Commands"](#) on page 911
  - [":TRIGger:MODE"](#) on page 920
  - [":TRIGger:USB:SOURce:DMINus"](#) on page 987
  - [":TRIGger:USB:TRIGger"](#) on page 990

## :TRIGger:USB:SPEEd

**N** (see [page 1172](#))

**Command Syntax** :TRIGger:USB:SPEEd <value>

<value> ::= {LOW | FULL}

The :TRIGger:USB:SPEEd command sets the expected USB signal speed to be Low Speed (1.5 Mb/s) or Full Speed (12 Mb/s).

**Query Syntax** :TRIGger:USB:SPEEd?

The :TRIGger:USB:SPEEd? query returns the current speed value for the USB signal.

**Return Format** <value><NL>

- See Also**
- ["Introduction to :TRIGger Commands"](#) on page 911
  - [":TRIGger:MODE"](#) on page 920
  - [":TRIGger:USB:SOURce:DMINus"](#) on page 987
  - [":TRIGger:USB:SOURce:DPLus"](#) on page 988
  - [":TRIGger:USB:TRIGger"](#) on page 990

## :TRIGger:USB:TRIGger

**N** (see [page 1172](#))

**Command Syntax** :TRIGger:USB:TRIGger <value>

<value> ::= {SOP | EOP | ENTersuspend | EXITsuspend | RESet}

The :TRIGger:USB:TRIGger command sets where the USB trigger will occur:

- SOP – Start of packet.
- EOP – End of packet.
- ENTersuspend – Enter suspend state.
- EXITsuspend – Exit suspend state.
- RESet – Reset complete.

**Query Syntax** :TRIGger:USB:TRIGger?

The :TRIGger:USB:TRIGger? query returns the current USB trigger value.

**Return Format** <value><NL>

<value> ::= {SOP | EOP | ENTersuspend | EXITsuspend | RESet}

- See Also**
- ["Introduction to :TRIGger Commands"](#) on page 911
  - [":TRIGger:MODE"](#) on page 920
  - [":TRIGger:USB:SPEed"](#) on page 989

## 32 :WAVeform Commands

Provide access to waveform data. See "[Introduction to :WAVeform Commands](#)" on page 993.

**Table 139** :WAVeform Commands Summary

Command	Query	Options and Query Returns
:WAVeform:BYTeorder <value> (see <a href="#">page 999</a> )	:WAVeform:BYTeorder? (see <a href="#">page 999</a> )	<value> ::= {LSBFirst   MSBFirst}
n/a	:WAVeform:COUNT? (see <a href="#">page 1000</a> )	<count> ::= an integer from 1 to 65536 in NR1 format
n/a	:WAVeform:DATA? (see <a href="#">page 1001</a> )	<binary block length bytes>, <binary data>  For example, to transmit 1000 bytes of data, the syntax would be: #800001000<1000 bytes of data><NL>  8 is the number of digits that follow  00001000 is the number of bytes to be transmitted  <1000 bytes of data> is the actual data
:WAVeform:FORMat <value> (see <a href="#">page 1003</a> )	:WAVeform:FORMat? (see <a href="#">page 1003</a> )	<value> ::= {WORD   BYTE   ASCII}

**Table 139** :WAVEform Commands Summary (continued)

Command	Query	Options and Query Returns
:WAVEform:POINTs <# points> (see <a href="#">page 1004</a> )	:WAVEform:POINTs? (see <a href="#">page 1004</a> )	<# points> ::= {100   250   500   1000   <points_mode>} if waveform points mode is NORMAL  <# points> ::= {100   250   500   1000   2000 ... 8000000 in 1-2-5 sequence   <points_mode>} if waveform points mode is MAXimum or RAW  <points_mode> ::= {NORMAL   MAXimum   RAW}
:WAVEform:POINTs:MODE <points_mode> (see <a href="#">page 1006</a> )	:WAVEform:POINTs:MODE ? (see <a href="#">page 1007</a> )	<points_mode> ::= {NORMAL   MAXimum   RAW}
n/a	:WAVEform:PREamble? (see <a href="#">page 1008</a> )	<preamble_block> ::= <format NR1>, <type NR1>, <points NR1>, <count NR1>, <xincrement NR3>, <xorigin NR3>, <xreference NR1>, <yincrement NR3>, <yorigin NR3>, <yreference NR1>  <format> ::= an integer in NR1 format: <ul style="list-style-type: none"><li>• 0 for BYTE format</li><li>• 1 for WORD format</li><li>• 2 for ASCii format</li></ul> <type> ::= an integer in NR1 format: <ul style="list-style-type: none"><li>• 0 for NORMAl type</li><li>• 1 for PEAK detect type</li><li>• 3 for AVERAge type</li><li>• 4 for HRESolution type</li></ul> <count> ::= Average count, or 1 if PEAK detect type or NORMAl; an integer in NR1 format
n/a	:WAVEform:SEGmented:COUNT? (see <a href="#">page 1011</a> )	<count> ::= an integer from 2 to 1000 in NR1 format (with Option SGM)
n/a	:WAVEform:SEGmented:TAG? (see <a href="#">page 1012</a> )	<time_tag> ::= in NR3 format (with Option SGM)



**Table 139** :WAVeform Commands Summary (continued)

Command	Query	Options and Query Returns
:WAVeform:SOURce <source> (see page 1013)	:WAVeform:SOURce? (see page 1013)	<source> ::= {CHANnel<n>   FUNction   MATH   SBUS{1   2}} for DSO models  <source> ::= {CHANnel<n>   POD{1   2}   BUS{1   2}   FUNction   MATH   SBUS{1   2}} for MSO models  <n> ::= 1 to (# analog channels) in NR1 format
:WAVeform:SOURce:SUBS ource <subsource> (see page 1017)	:WAVeform:SOURce:SUBS ource? (see page 1017)	<subsource> ::= {{SUB0   RX   MOSI}   {SUB1   TX   MISO}}
n/a	:WAVeform:TYPE? (see page 1018)	<return_mode> ::= {NORM   PEAK   AVER   HRES}
:WAVeform:UNSigned {{0   OFF}   {1   ON}} (see page 1019)	:WAVeform:UNSigned? (see page 1019)	{0   1}
:WAVeform:VIEW <view> (see page 1020)	:WAVeform:VIEW? (see page 1020)	<view> ::= {MAIN}
n/a	:WAVeform:XINCrement? (see page 1021)	<return_value> ::= x-increment in the current preamble in NR3 format
n/a	:WAVeform:XORigin? (see page 1022)	<return_value> ::= x-origin value in the current preamble in NR3 format
n/a	:WAVeform:XREFerence? (see page 1023)	<return_value> ::= 0 (x-reference value in the current preamble in NR1 format)
n/a	:WAVeform:YINCrement? (see page 1024)	<return_value> ::= y-increment value in the current preamble in NR3 format
n/a	:WAVeform:YORigin? (see page 1025)	<return_value> ::= y-origin in the current preamble in NR3 format
n/a	:WAVeform:YREFerence? (see page 1026)	<return_value> ::= y-reference value in the current preamble in NR1 format

**Introduction to :WAVeform Commands** The WAVeform subsystem is used to transfer data to a controller from the oscilloscope waveform memories. The queries in this subsystem will only operate when the channel selected by :WAVeform:SOURce is on.

### Waveform Data and Preamble

The waveform record is actually contained in two portions: the preamble and waveform data. The waveform record must be read from the oscilloscope by the controller using two separate commands, :WAVEform:DATA (see [page 1001](#)) and :WAVEform:PREAmble (see [page 1008](#)). The waveform data is the actual data acquired for each point in the specified source. The preamble contains the information for interpreting the waveform data, which includes the number of points acquired, the format of acquired data, and the type of acquired data. The preamble also contains the X and Y increments, origins, and references for the acquired data, so that word and byte data can be translated to time and voltage values.

### Data Acquisition Types

There are four types of waveform acquisitions that can be selected for analog channels with the :ACQUIRE:TYPE command (see [page 251](#)): NORMal, AVERAge, PEAK, and HRESolution. Digital channels are always acquired using NORMal. When the data is acquired using the :DIGitize command (see [page 211](#)) or :RUN command (see [page 232](#)), the data is placed in the channel buffer of the specified source.

Once you have acquired data with the :DIGitize command, the instrument is stopped. If the instrument is restarted (via the programming interface or the front panel), or if any instrument setting is changed, the data acquired with the :DIGitize command may be overwritten. You should first acquire the data with the :DIGitize command, then immediately read the data with the :WAVEform:DATA? query (see [page 1001](#)) before changing any instrument setup.

A waveform record consists of either all of the acquired points or a subset of the acquired points. The number of points acquired may be queried using :ACQUIRE:POINTS? (see [page 244](#)).

### Helpful Hints:

The number of points transferred to the computer is controlled using the :WAVEform:POINTS command (see [page 1004](#)). If :WAVEform:POINTS MAXimum is specified and the instrument is not running (stopped), all of the points that are displayed are transferred. This can be as many as 4,000,000 in some operating modes or as many as 8,000,000 for a digital channel on the mixed signal oscilloscope. Fewer points may be specified to speed data transfers and minimize controller analysis time. The :WAVEform:POINTS may be varied even after data on a channel is acquired. However, this decimation may result in lost pulses and transitions. The number of points selected for transfer using :WAVEform:POINTS must be an even divisor of 1,000 or be set to MAXimum. :WAVEform:POINTS determines the increment between time buckets that will be transferred. If POINTs = MAXimum, the data cannot be decimated. For example:

- :WAVEform:POINTS 1000 – returns time buckets 0, 1, 2, 3, 4 ,..., 999.
- :WAVEform:POINTS 500 – returns time buckets 0, 2, 4, 6, 8 ,..., 998.

- :WAVEform:POINTs 250 – returns time buckets 0, 4, 8, 12, 16 ,..., 996.
- :WAVEform:POINTs 100 – returns time buckets 0, 10, 20, 30, 40 ,..., 990.

## Analog Channel Data

### NORMAL Data

Normal data consists of the last data point (hit) in each time bucket. This data is transmitted over the programming interface in a linear fashion starting with time bucket 0 and going through time bucket  $n - 1$ , where  $n$  is the number returned by the :WAVEform:POINTs? query (see [page 1004](#)). Only the magnitude values of each data point are transmitted. The first voltage value corresponds to the first time bucket on the left side of the screen and the last value corresponds to the next-to-last time bucket on the right side of the screen. Time buckets without data return 0. The time values for each data point correspond to the position of the data point in the data array. These time values are not transmitted.

### AVERAGE Data

AVERAGE data consists of the average of the first  $n$  hits in a time bucket, where  $n$  is the value returned by the :ACQUIRE:COUNT query (see [page 242](#)). Time buckets that have fewer than  $n$  hits return the average of the data they do have. If a time bucket does not have any data in it, it returns 0.

This data is transmitted over the interface linearly, starting with time bucket 0 and proceeding through time bucket  $n-1$ , where  $n$  is the number returned by the :WAVEform:POINTs? query (see [page 1004](#)). The first value corresponds to a point at the left side of the screen and the last value corresponds to one point away from the right side of the screen. The maximum number of points that can be returned in average mode is 1000 unless ACQUIRE:COUNT has been set to 1.

### PEAK Data

Peak detect display mode is used to detect glitches for time base settings of 500 us/div and slower. In this mode, the oscilloscope can sample more data than it can store and display. So, when peak detect is turned on, the oscilloscope scans through the extra data, picks up the minimum and maximum for each time bucket, then stores the data in an array. Each time bucket contains two data sample.

The array is transmitted over the interface bus linearly, starting with time bucket 0 proceeding through time bucket  $n-1$ , where  $n$  is the number returned by the :WAVEform:POINTs? query (see [page 1004](#)). In each time bucket, two values are transmitted, first the minimum, followed by the maximum. The first pair of values corresponds to the time bucket at the leftmost side of the screen. The last pair of values corresponds to the time bucket at the far right side of the screen. In :ACQUIRE:TYPE PEAK mode (see [page 251](#)), the value returned by the :WAVEform:XINCrement query (see [page 1021](#)) should be doubled to find the time difference between the min-max pairs.

**HREsolution Data**

The high resolution (*smoothing*) mode is used to reduce noise at slower sweep speeds where the digitizer samples faster than needed to fill memory for the displayed time range.

**Data Conversion**

Word or byte data sent from the oscilloscope must be scaled for useful interpretation. The values used to interpret the data are the X and Y references, X and Y origins, and X and Y increments. These values are read from the waveform preamble. Each channel has its own waveform preamble.

In converting a data value to a voltage value, the following formula is used:

$$\text{voltage} = [(\text{data value} - \text{yreference}) * \text{yincrement}] + \text{yorigin}$$

If the :WAVEform:FORMat data format is ASCII (see [page 1003](#)), the data values are converted internally and sent as floating point values separated by commas.

In converting a data value to time, the time value of a data point can be determined by the position of the data point. For example, the fourth data point sent with :WAVEform:XORigin = 16 ns, :WAVEform:XREFerence = 0, and :WAVEform:XINCrement = 2 ns, can be calculated using the following formula:

$$\text{time} = [(\text{data point number} - \text{xreference}) * \text{xincrement}] + \text{xorigin}$$

This would result in the following calculation for time bucket 3:

$$\text{time} = [(3 - 0) * 2 \text{ ns}] + 16 \text{ ns} = 22 \text{ ns}$$

In :ACQuire:TYPE PEAK mode (see [page 251](#)), because data is acquired in max-min pairs, modify the previous time formula to the following:

$$\text{time} = [(\text{data pair number} - \text{xreference}) * \text{xincrement} * 2] + \text{xorigin}$$

**Data Format for Transfer**

There are three formats for transferring waveform data over the interface: BYTE, WORD and ASCII (see **":WAVEform:FORMat"** on [page 1003](#)). BYTE, WORD and ASCII formatted waveform records are transmitted using the arbitrary block program data format specified in IEEE 488.2.

When you use the block data format, the ASCII character string "#8<DD...D>" is sent prior to sending the actual data. The 8 indicates how many Ds follow. The Ds are ASCII numbers that indicate how many data bytes follow.

For example, if 1000 points will be transferred, and the WORD format was specified, the block header "#800001000" would be sent. The 8 indicates that eight length bytes follow, and 00001000 indicates that 1000 binary data bytes follow.

Use the :WAVEform:UNSIGNED command (see [page 1019](#)) to control whether data values are sent as unsigned or signed integers. This command can be used to match the instrument's internal data type to the data type used by the programming language. This command has no effect if the data format is ASCII.

#### Data Format for Transfer - ASCII format

The ASCII format (see [":WAVEform:FORMat"](#) on page 1003) provides access to the waveform data as real Y-axis values without using Y origin, Y reference, and Y increment to convert the binary data. Values are transferred as ASCII digits in floating point format separated by commas. In ASCII format, holes are represented by the value 9.9e+37. The setting of :WAVEform:BYTeorder (see [page 999](#)) and :WAVEform:UNSIGNED (see [page 1019](#)) have no effect when the format is ASCII.

#### Data Format for Transfer - WORD format

WORD format (see [":WAVEform:FORMat"](#) on page 1003) provides 16-bit access to the waveform data. In the WORD format, the number of data bytes is twice the number of data points. The number of data points is the value returned by the :WAVEform:POINts? query (see [page 1004](#)). If the data intrinsically has less than 16 bits of resolution, the data is left-shifted to provide 16 bits of resolution and the least significant bits are set to 0. Currently, the greatest intrinsic resolution of any data is 12 bits, so at least the lowest 4 bits of data will be 0. If there is a hole in the data, the hole is represented by a 16 bit value equal to 0.

Use :WAVEform:BYTeorder (see [page 999](#)) to determine if the least significant byte or most significant byte is to be transferred first. The :BYTeorder command can be used to alter the transmit sequence to match the storage sequence of an integer in the programming language being used.

#### Data Format for Transfer - BYTE format

The BYTE format (see [":WAVEform:FORMat"](#) on page 1003 ) allows 8-bit access to the waveform data. If the data intrinsically has more than 8 bits of resolution (averaged data), the data is right-shifted (truncated) to fit into 8 bits. If there is a hole in the data, the hole is represented by a value of 0. The BYTE-formatted data transfers over the programming interface faster than ASCII or WORD-formatted data, because in ASCII format, as many as 13 bytes per point are transferred, in BYTE format one byte per point is transferred, and in WORD format two bytes per point are transferred.

The :WAVEform:BYTeorder command (see [page 999](#)) has no effect when the data format is BYTE.

#### Digital Channel Data (MSO models only)

The waveform record for digital channels is similar to that of analog channels. The main difference is that the data points represent either DIGital0,...,7 (POD1), DIGital8,...,15 (POD2), or any grouping of digital channels (BUS1 or BUS2).

For digital channels, :WAVeform:UNSigned (see [page 1019](#)) must be set to ON.

#### Digital Channel POD Data Format

Data for digital channels is only available in groups of 8 bits (Pod1 = D0 - D7, Pod2 = D8 - D15). The bytes are organized as:

:WAVeform:SOURce	Bit 7	Bit 6	Bit 5	Bit 4	Bit 3	Bit 2	Bit 1	Bit 0
POD1	D7	D6	D5	D4	D3	D2	D1	D0
POD2	D15	D14	D13	D12	D11	D10	D9	D8

If the :WAVeform:FORMat is WORD (see [page 1003](#)) is WORD, every other data byte will be 0. The setting of :WAVeform:BYTeorder (see [page 999](#)) controls which byte is 0.

If a digital channel is not displayed, its bit value in the pod data byte is not defined.

#### Digital Channel BUS Data Format

Digital channel BUS definitions can include any or all of the digital channels. Therefore, data is always returned as 16-bit values. :BUS commands (see [page 253](#)) are used to select the digital channels for a bus.

#### Reporting the Setup

The following is a sample response from the :WAVeform? query. In this case, the query was issued following a \*RST command.

```
:WAV:UNS 1;VIEW MAIN;BYT MSBF;FORM BYTE;POIN +1000;SOUR CHAN1;SOUR:SUBS
NONE
```

## :WAVeform:BYTeorder

**C** (see [page 1172](#))

**Command Syntax** :WAVeform:BYTeorder <value>  
 <value> ::= {LSBFirst | MSBFirst}

The :WAVeform:BYTeorder command sets the output sequence of the WORD data.

- MSBFirst – sets the most significant byte to be transmitted first.
- LSBFirst – sets the least significant byte to be transmitted first.

This command affects the transmitting sequence only when :WAVeform:FORMat WORD is selected.

The default setting is MSBFirst.

**Query Syntax** :WAVeform:BYTeorder?

The :WAVeform:BYTeorder query returns the current output sequence.

**Return Format** <value><NL>  
 <value> ::= {LSBF | MSBF}

- See Also**
- ["Introduction to :WAVeform Commands"](#) on page 993
  - [":WAVeform:DATA"](#) on page 1001
  - [":WAVeform:FORMat"](#) on page 1003
  - [":WAVeform:PREamble"](#) on page 1008

- Example Code**
- ["Example Code"](#) on page 1014
  - ["Example Code"](#) on page 1009

## :WAVEform:COUNT

**C** (see [page 1172](#))

**Query Syntax** :WAVEform:COUNT?

The :WAVEform:COUNT? query returns the count used to acquire the current waveform. This may differ from current values if the unit has been stopped and its configuration modified. For all acquisition types except average, this value is 1.

**Return Format** <count\_argument><NL>

<count\_argument> ::= an integer from 1 to 65536 in NR1 format

- See Also**
- ["Introduction to :WAVEform Commands"](#) on page 993
  - [":ACQUIRE:COUNT"](#) on page 242
  - [":ACQUIRE:TYPE"](#) on page 251



## :WAVEform:DATA

**C** (see [page 1172](#))

**Query Syntax** :WAVEform:DATA?

The :WAVEform:DATA query returns the binary block of sampled data points transmitted using the IEEE 488.2 arbitrary block data format. The binary data is formatted according to the settings of the :WAVEform:UNSIGNED, :WAVEform:BYTEORDER, :WAVEform:FORMAT, and :WAVEform:SOURCE commands. The number of points returned is controlled by the :WAVEform:POINTS command.

In BYTE or WORD waveform formats, these data values have special meaning:

- 0x00 or 0x0000 – Hole. Holes are locations where data has not yet been acquired.

Another situation where there can be zeros in the data, incorrectly, is when programming over telnet port 5024. Port 5024 provides a command prompt and is intended for ASCII transfers. Use telnet port 5025 instead.

- 0x01 or 0x0001 – Clipped low. These are locations where the waveform is clipped at the bottom of the oscilloscope display.
- 0xFF or 0xFFFF – Clipped high. These are locations where the waveform is clipped at the top of the oscilloscope display.

**Return Format** <binary block data><NL>

- See Also**
- For a more detailed description of the data returned for different acquisition types, see: "[Introduction to :WAVEform Commands](#)" on page 993
  - "[:WAVEform:UNSIGNED](#)" on page 1019
  - "[:WAVEform:BYTEORDER](#)" on page 999
  - "[:WAVEform:FORMAT](#)" on page 1003
  - "[:WAVEform:POINTS](#)" on page 1004
  - "[:WAVEform:PREAmble](#)" on page 1008
  - "[:WAVEform:SOURce](#)" on page 1013
  - "[:WAVEform:TYPE](#)" on page 1018

**Example Code**

```
' QUERY_WAVE_DATA - Outputs waveform data that is stored in a buffer.
'
' Query the oscilloscope for the waveform data.
myScope.WriteString ":WAV:DATA?"

' READ_WAVE_DATA - The wave data consists of two parts: the header,
' and the actual waveform data followed by a new line (NL) character.
' The query data has the following format:
'
'     <header><waveform_data><NL>
'
' Where:
```

```

' <header> = #800001000 (This is an example header)
' The "#8" may be stripped off of the header and the remaining
' numbers are the size, in bytes, of the waveform data block. The
' size can vary depending on the number of points acquired for the
' waveform. You can then read that number of bytes from the
' oscilloscope and the terminating NL character.
'
Dim lngI As Long
Dim lngDataValue As Long

varQueryResult = myScope.ReadIEEEBlock(BinaryType_UI1)
' Unsigned integer bytes.
For lngI = 0 To UBound(varQueryResult) - 1 Step (UBound(varQueryResult) / 20) ' 20 points.
    If intBytesPerData = 2 Then
        lngDataValue = varQueryResult(lngI) * 256 + varQueryResult(lngI + 1) ' 16-bit value.
    Else
        lngDataValue = varQueryResult(lngI) ' 8-bit value.
    End If
    strOutput = strOutput + "Data point " + lngI + " = " + CStr(lngDataValue / intBytesPerData) + ", " + FormatNumber((lngDataValue - lngYReference) * sngYIncrement + sngYOrigin) + " V, " + FormatNumber(((lngI / intBytesPerData - lngXReference) * sngXIncrement + dblXOrigin) * 1000000) + " us" + vbCrLf
Next lngI
MsgBox "Waveform data:" + vbCrLf + strOutput

```

See complete example programs at: [Chapter 40](#), "Programming Examples," starting on page 1181

## :WAVEform:FORMat

**C** (see [page 1172](#))

**Command Syntax** :WAVEform:FORMat <value>

<value> ::= {WORD | BYTE | ASCii}

The :WAVEform:FORMat command sets the data transmission mode for waveform data points. This command controls how the data is formatted when sent from the oscilloscope.

- ASCII formatted data converts the internal integer data values to real Y-axis values. Values are transferred as ASCII digits in floating point notation, separated by commas.  
ASCII formatted data is transferred ASCII text.
- WORD formatted data transfers 16-bit data as two bytes. The :WAVEform:BYTeorder command can be used to specify whether the upper or lower byte is transmitted first. The default (no command sent) is that the upper byte transmitted first.
- BYTE formatted data is transferred as 8-bit bytes.

When the :WAVEform:SOURce is the serial decode bus (SBUS1 or SBUS2), ASCII is the only waveform format allowed.

When the :WAVEform:SOURce is one of the digital channel buses (BUS1 or BUS2), ASCII and WORD are the only waveform formats allowed.

**Query Syntax** :WAVEform:FORMat?

The :WAVEform:FORMat query returns the current output format for the transfer of waveform data.

**Return Format** <value><NL>

<value> ::= {WORD | BYTE | ASC}

- See Also**
- ["Introduction to :WAVEform Commands"](#) on page 993
  - [":WAVEform:BYTeorder"](#) on page 999
  - [":WAVEform:SOURce"](#) on page 1013
  - [":WAVEform:DATA"](#) on page 1001
  - [":WAVEform:PREamble"](#) on page 1008

**Example Code** • ["Example Code"](#) on page 1014

## :WAVEform:POINts

**C** (see [page 1172](#))

**Command Syntax** :WAVEform:POINts <# points>

```
<# points> ::= {100 | 250 | 500 | 1000 | <points mode>}
              if waveform points mode is NORMAl

<# points> ::= {100 | 250 | 500 | 1000 | 2000 | 5000 | 10000 | 20000
              | 50000 | 100000 | 200000 | 500000 | 1000000 | 2000000
              | 4000000 | 8000000 | <points mode>}
              if waveform points mode is MAXimum or RAW

<points mode> ::= {NORMAl | MAXimum | RAW}
```

**NOTE**

The <points\_mode> option is deprecated. Use the :WAVEform:POINts:MODE command instead.

The :WAVEform:POINts command sets the number of waveform points to be transferred with the :WAVEform:DATA? query. This value represents the points contained in the waveform selected with the :WAVEform:SOURce command.

For the analog or digital sources, the records that can be transferred depend on the waveform points mode. The maximum number of points returned for math (function) waveforms is determined by the NORMAl waveform points mode. See the :WAVEform:POINts:MODE command (see [page 1006](#)) for more information.

Only data visible on the display will be returned.

When the :WAVEform:SOURce is the serial decode bus (SBUS1 or SBUS2), this command is ignored, and all available serial decode bus data is returned.

**Query Syntax** :WAVEform:POINts?

The :WAVEform:POINts query returns the number of waveform points to be transferred when using the :WAVEform:DATA? query. Setting the points mode will affect what data is transferred (see the :WAVEform:POINts:MODE command (see [page 1006](#)) for more information).

When the :WAVEform:SOURce is the serial decode bus (SBUS1 or SBUS2), this query returns the number of messages that were decoded.

**Return Format** <# points><NL>

```
<# points> ::= {100 | 250 | 500 | 1000 | <maximum # points>}
              if waveform points mode is NORMAl

<# points> ::= {100 | 250 | 500 | 1000 | 2000 | 5000 | 10000 | 20000
              | 50000 | 100000 | 200000 | 500000 | 1000000 | 2000000
              | 4000000 | 8000000 | <maximum # points>}
              if waveform points mode is MAXimum or RAW
```

**NOTE**

If a full screen of data is not displayed, the number of points returned will not be 1000 or an even divisor of it.

---

- See Also**
- [":WAVEform Commands"](#) on page 993
  - [":ACQUIRE:POINTS"](#) on page 244
  - [":WAVEform:DATA"](#) on page 1001
  - [":WAVEform:SOURce"](#) on page 1013
  - [":WAVEform:VIEW"](#) on page 1020
  - [":WAVEform:PREamble"](#) on page 1008
  - [":WAVEform:POINTS:MODE"](#) on page 1006

**Example Code**

```
' WAVE_POINTS - Specifies the number of points to be transferred  
' using the ":WAVEFORM:DATA?" query.  
myScope.WriteString ":WAVEFORM:POINTS 1000"
```

See complete example programs at: [Chapter 40](#), "Programming Examples," starting on page 1181

## :WAVEform:POINts:MODE

**N** (see [page 1172](#))

**Command Syntax** :WAVEform:POINts:MODE <points\_mode>

<points\_mode> ::= {NORMal | MAXimum | RAW}

The :WAVEform:POINts:MODE command sets the data record to be transferred with the :WAVEform:DATA? query.

For the analog or digital sources, there are two different records that can be transferred:

- The first is the raw acquisition record. The maximum number of points available in this record is returned by the :ACQUIRE:POINts? query. The raw acquisition record can only be transferred when the oscilloscope is not running and can only be retrieved from the analog or digital sources.
- The second is referred to as the *measurement record* and is a 62,500-point (maximum) representation of the raw acquisition record. The measurement record can be retrieved from any source.

If the <points\_mode> is NORMal the measurement record is retrieved.

If the <points\_mode> is RAW, the raw acquisition record is used. Under some conditions, such as when the oscilloscope is running, this data record is unavailable.

If the <points\_mode> is MAXimum, whichever record contains the maximum amount of points is used. Usually, this is the raw acquisition record. But, if the raw acquisition record is unavailable (for example, when the oscilloscope is running), the measurement record may have more data. If data is being retrieved as the oscilloscope is stopped and as the data displayed is changing, the data being retrieved can switch between the measurement and raw acquisition records.

**NOTE**

If the :WAVEform:SOURce is not an analog or digital source, the only valid parameters for WAVEform:POINts:MODE is NORMal or MAXimum.

**Considerations for MAXimum or RAW data retrieval**

- The instrument must be stopped (see the :STOP command (see [page 236](#)) or the :DIGitize command (see [page 211](#)) in the root subsystem) in order to return more than the *measurement record*.
- :TIMEbase:MODE must be set to MAIN.
- :ACQUIRE:TYPE must be set to NORMal or HRESolution.
- MAXimum or RAW will allow up to 4,000,000 points to be returned. The number of points returned will vary as the instrument's configuration is changed. Use the :WAVEform:POINts? MAXimum query to determine the maximum number of points that can be retrieved at the current settings.

**Query Syntax** :WAVeform:POINts:MODE?

The :WAVeform:POINts:MODE? query returns the current points mode. Setting the points mode will affect what data is transferred. See the discussion above.

**Return Format** <points\_mode><NL>

<points\_mode> ::= {NORMal | MAXimum | RAW}

- See Also**
- ["Introduction to :WAVeform Commands"](#) on page 993
  - [":WAVeform:DATA"](#) on page 1001
  - [":ACQuire:POINts"](#) on page 244
  - [":WAVeform:VIEW"](#) on page 1020
  - [":WAVeform:PREamble"](#) on page 1008
  - [":WAVeform:POINts"](#) on page 1004
  - [":TIMEbase:MODE"](#) on page 901
  - [":ACQuire:TYPE"](#) on page 251
  - [":ACQuire:COUNT"](#) on page 242

## :WAVEform:PREamble

**C** (see [page 1172](#))

**Query Syntax** :WAVEform:PREamble?

The :WAVEform:PREamble query requests the preamble information for the selected waveform source. The preamble data contains information concerning the vertical and horizontal scaling of the data of the corresponding channel.

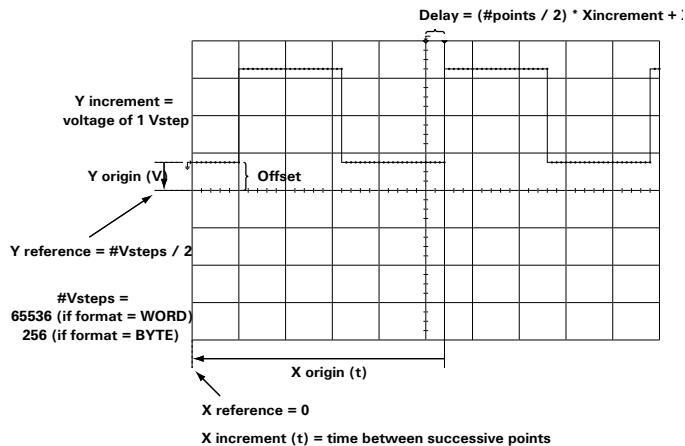
**Return Format** <preamble\_block><NL>

```
<preamble_block> ::= <format 16-bit NR1>,
                    <type 16-bit NR1>,
                    <points 32-bit NR1>,
                    <count 32-bit NR1>,
                    <xincrement 64-bit floating point NR3>,
                    <xorigin 64-bit floating point NR3>,
                    <xreference 32-bit NR1>,
                    <yincrement 32-bit floating point NR3>,
                    <yorigin 32-bit floating point NR3>,
                    <yreference 32-bit NR1>
```

<format> ::= 0 for BYTE format, 1 for WORD format, 4 for ASCII format; an integer in NR1 format (format set by :WAVEform:FORMat).

<type> ::= 2 for AVERage type, 0 for NORMAl type, 1 for PEAK detect type; an integer in NR1 format (type set by :ACQuire:TYPE).

<count> ::= Average count or 1 if PEAK or NORMAl; an integer in NR1 format (count set by :ACQuire:COUNT).



- See Also**
- ["Introduction to :WAVEform Commands"](#) on page 993
  - [":ACQuire:COUNT"](#) on page 242
  - [":ACQuire:POINts"](#) on page 244
  - [":ACQuire:TYPE"](#) on page 251



- ":DIGitize" on page 211
- ":WAVEform:COUNT" on page 1000
- ":WAVEform:DATA" on page 1001
- ":WAVEform:FORMat" on page 1003
- ":WAVEform:POINts" on page 1004
- ":WAVEform:TYPE" on page 1018
- ":WAVEform:XINCrement" on page 1021
- ":WAVEform:XORigin" on page 1022
- ":WAVEform:XREFerence" on page 1023
- ":WAVEform:YINCrement" on page 1024
- ":WAVEform:YORigin" on page 1025
- ":WAVEform:YREFerence" on page 1026

#### Example Code

```
' GET_PREAMBLE - The preamble block contains all of the current
' WAVEFORM settings. It is returned in the form <preamble_block><NL>
' where <preamble_block> is:
'   FORMAT      : int16 - 0 = BYTE, 1 = WORD, 4 = ASCII.
'   TYPE        : int16 - 0 = NORMAL, 1 = PEAK DETECT, 2 = AVERAGE
'   POINTS      : int32 - number of data points transferred.
'   COUNT       : int32 - 1 and is always 1.
'   XINCREMENT  : float64 - time difference between data points.
'   XORIGIN     : float64 - always the first data point in memory.
'   XREFERENCE  : int32 - specifies the data point associated with
'                   x-origin.
'   YINCREMENT  : float32 - voltage diff between data points.
'   YORIGIN     : float32 - value is the voltage at center screen.
'   YREFERENCE  : int32 - specifies the data point where y-origin
'                   occurs.

Dim Preamble()
Dim intFormat As Integer
Dim intType As Integer
Dim lngPoints As Long
Dim lngCount As Long
Dim dblXIncrement As Double
Dim dblXOrigin As Double
Dim lngXReference As Long
Dim sngYIncrement As Single
Dim sngYOrigin As Single
Dim lngYReference As Long
Dim strOutput As String

myScope.WriteString ":WAVEFORM:PREAMBLE?" ' Query for the preamble.
Preamble() = myScope.ReadList ' Read preamble information.
intFormat = Preamble(0)
intType = Preamble(1)
lngPoints = Preamble(2)
lngCount = Preamble(3)
dblXIncrement = Preamble(4)
dblXOrigin = Preamble(5)
lngXReference = Preamble(6)
```

```
sngYIncrement = Preamble(7)  
sngYOrigin = Preamble(8)  
lngYReference = Preamble(9)
```

See complete example programs at: [Chapter 40](#), “Programming Examples,” starting on page 1181

## :WAVEform:SEGMented:COUNT

**N** (see [page 1172](#))

**Query Syntax** :WAVEform:SEGMented:COUNT?

**NOTE**

This command is available when the segmented memory option (Option SGM) is enabled.

The :WAVEform:SEGMented:COUNT query returns the number of memory segments in the acquired data. You can use the :WAVEform:SEGMented:COUNT? query while segments are being acquired (although :DIGitize blocks subsequent queries until the full segmented acquisition is complete).

The segmented memory acquisition mode is enabled with the :ACQUIRE:MODE command. The number of segments to acquire is set using the :ACQUIRE:SEGMented:COUNT command, and data is acquired using the :DIGitize, :SINGLE, or :RUN commands.

**Return Format** <count> ::= an integer from 2 to 1000 in NR1 format (count set by :ACQUIRE:SEGMented:COUNT) .

- See Also**
- [":ACQUIRE:MODE"](#) on page 243
  - [":ACQUIRE:SEGMented:COUNT"](#) on page 246
  - [":DIGitize"](#) on page 211
  - [":SINGLE"](#) on page 234
  - [":RUN"](#) on page 232
  - ["Introduction to :WAVEform Commands"](#) on page 993

**Example Code** • ["Example Code"](#) on page 247

## :WAVEform:SEGMented:TTAG

**N** (see [page 1172](#))

**Query Syntax** :WAVEform:SEGMented:TTAG?

**NOTE**

This command is available when the segmented memory license (SGM) is enabled.

---

The :WAVEform:SEGMented:TTAG? query returns the time tag of the currently selected segmented memory index. The index is selected using the :ACQuire:SEGMented:INDex command.

**Return Format** <time\_tag> ::= in NR3 format

- See Also**
- [":ACQuire:SEGMented:INDex"](#) on page 247
  - ["Introduction to :WAVEform Commands"](#) on page 993

**Example Code** • ["Example Code"](#) on page 247

## :WAVEform:SOURce

**C** (see [page 1172](#))

## Command Syntax

```
:WAVEform:SOURce <source>
```

```
<source> ::= {CHANnel<n> | FUNCTION | MATH | WMEMory<r> | SBUS{1 | 2}}
           for DSO models
```

```
<source> ::= {CHANnel<n> | POD{1 | 2} | BUS{1 | 2} | FUNCTION
           | MATH | WMEMory<r> | SBUS{1 | 2}}
           for MSO models
```

```
<n> ::= 1 to (# analog channels) in NR1 format
```

```
<r> ::= {1 | 2}
```

The :WAVEform:SOURce command selects the analog channel, function, digital pod, digital bus, reference waveform, or serial decode bus to be used as the source for the :WAVEform commands.

Function capabilities include add, subtract, multiply, integrate, differentiate, and FFT (Fast Fourier Transform) operations.

When the :WAVEform:SOURce is the serial decode bus (SBUS1 or SBUS2), ASCII is the only waveform format allowed, and the :WAVEform:DATA? query returns a string with timestamps and associated bus decode information.

With MSO oscilloscope models, you can choose a POD or BUS as the waveform source. There are some differences between POD and BUS when formatting and getting data from the oscilloscope:

- When POD1 or POD2 is selected as the waveform source, you can choose the BYTE, WORD, or ASCII formats (see [":WAVEform:FORMat"](#) on page 1003).

When the WORD format is chosen, every other data byte will be 0. The setting of :WAVEform:BYTeorder controls which byte is 0.

When the ASCII format is chosen, the :WAVEform:DATA? query returns a string with unsigned decimal values separated by commas.

- When BUS1 or BUS2 is selected as the waveform source, you can choose the WORD or ASCII formats (but not BYTE because bus values are always returned as 16-bit values).

When the ASCII format is chosen, the :WAVEform:DATA? query returns a string with hexadecimal bus values, for example: 0x1938,0xff38,...

## Query Syntax

```
:WAVEform:SOURce?
```

The :WAVEform:SOURce? query returns the currently selected source for the WAVEform commands.

**NOTE**

MATH is an alias for FUNCtion. The :WAVEform:SOURce? Query returns FUNC if the source is FUNCtion or MATH.

**Return Format**

<source><NL>

<source> ::= {CHAN<n> | FUNC | WMEM<r> | SBUS{1 | 2}} for DSO models

<source> ::= {CHAN<n> | POD{1 | 2} | BUS{1 | 2} | FUNC  
| WMEM<r> | SBUS{1 | 2}} for MSO models

<n> ::= 1 to (# analog channels) in NR1 format

<r> ::= {1 | 2}

**See Also**

- ["Introduction to :WAVEform Commands"](#) on page 993
- [":DIGitize"](#) on page 211
- [":WAVEform:FORMat"](#) on page 1003
- [":WAVEform:BYTeorder"](#) on page 999
- [":WAVEform:DATA"](#) on page 1001
- [":WAVEform:PREamble"](#) on page 1008

**Example Code**

```
' WAVEFORM_DATA - To obtain waveform data, you must specify the
' WAVEFORM parameters for the waveform data prior to sending the
' ":WAVEFORM:DATA?" query. Once these parameters have been sent,
' the waveform data and the preamble can be read.
'
' WAVE_SOURCE - Selects the channel to be used as the source for
' the waveform commands.
myScope.WriteString ":WAVEFORM:SOURCE CHAN1"

' WAVE_POINTS - Specifies the number of points to be transferred
' using the ":WAVEFORM:DATA?" query.
myScope.WriteString ":WAVEFORM:POINTS 1000"

' WAVE_FORMAT - Sets the data transmission mode for the waveform
' data output. This command controls whether data is formatted in
' a word or byte format when sent from the oscilloscope.
Dim lngVSteps As Long
Dim intBytesPerData As Integer

' Data in range 0 to 65535.
myScope.WriteString ":WAVEFORM:FORMAT WORD"
lngVSteps = 65536
intBytesPerData = 2

' Data in range 0 to 255.
myScope.WriteString ":WAVEFORM:FORMAT BYTE"
lngVSteps = 256
intBytesPerData = 1

' GET_PREAMBLE - The preamble block contains all of the current
' WAVEFORM settings. It is returned in the form <preamble_block><NL>
```

```

' where <preamble_block> is:
'   FORMAT       : int16 - 0 = BYTE, 1 = WORD, 4 = ASCII.
'   TYPE         : int16 - 0 = NORMAL, 1 = PEAK DETECT, 2 = AVERAGE
'   POINTS       : int32 - number of data points transferred.
'   COUNT        : int32 - 1 and is always 1.
'   XINCREMENT   : float64 - time difference between data points.
'   XORIGIN      : float64 - always the first data point in memory.
'   XREFERENCE    : int32 - specifies the data point associated with
'                   x-origin.
'   YINCREMENT   : float32 - voltage diff between data points.
'   YORIGIN      : float32 - value is the voltage at center screen.
'   YREFERENCE    : int32 - specifies the data point where y-origin
'                   occurs.
Dim Preamble()
Dim intFormat As Integer
Dim intType As Integer
Dim lngPoints As Long
Dim lngCount As Long
Dim dblXIncrement As Double
Dim dblXOrigin As Double
Dim lngXReference As Long
Dim sngYIncrement As Single
Dim sngYOrigin As Single
Dim lngYReference As Long
Dim strOutput As String

myScope.WriteString ":WAVEFORM:PREAMBLE?" ' Query for the preamble.
Preamble() = myScope.ReadList ' Read preamble information.
intFormat = Preamble(0)
intType = Preamble(1)
lngPoints = Preamble(2)
lngCount = Preamble(3)
dblXIncrement = Preamble(4)
dblXOrigin = Preamble(5)
lngXReference = Preamble(6)
sngYIncrement = Preamble(7)
sngYOrigin = Preamble(8)
lngYReference = Preamble(9)
strOutput = ""
'strOutput = strOutput + "Format = " + CStr(intFormat) + vbCrLf
'strOutput = strOutput + "Type = " + CStr(intType) + vbCrLf
'strOutput = strOutput + "Points = " + CStr(lngPoints) + vbCrLf
'strOutput = strOutput + "Count = " + CStr(lngCount) + vbCrLf
'strOutput = strOutput + "X increment = " + _
'   FormatNumber(dblXIncrement * 1000000) + " us" + vbCrLf
'strOutput = strOutput + "X origin = " + _
'   FormatNumber(dblXOrigin * 1000000) + " us" + vbCrLf
'strOutput = strOutput + "X reference = " + _
'   CStr(lngXReference) + vbCrLf
'strOutput = strOutput + "Y increment = " + _
'   FormatNumber(sngYIncrement * 1000) + " mV" + vbCrLf
'strOutput = strOutput + "Y origin = " + _
'   FormatNumber(sngYOrigin) + " V" + vbCrLf
'strOutput = strOutput + "Y reference = " + _
'   CStr(lngYReference) + vbCrLf
strOutput = strOutput + "Volts/Div = " + _
'   FormatNumber(lngVSteps * sngYIncrement / 8) + _

```

```

" V" + vbCrLf
strOutput = strOutput + "Offset = " + _
    FormatNumber((lngVSteps / 2 - lngYReference) * _
        sngYIncrement + sngYOrigin) + " V" + vbCrLf
strOutput = strOutput + "Sec/Div = " + _
    FormatNumber(lngPoints * dblXIncrement / 10 * _
        1000000) + " us" + vbCrLf
strOutput = strOutput + "Delay = " + _
    FormatNumber(((lngPoints / 2 - lngXReference) * _
        dblXIncrement + dblXOrigin) * 1000000) + " us" + vbCrLf

' QUERY_WAVE_DATA - Outputs waveform data that is stored in a buffer.

' Query the oscilloscope for the waveform data.
myScope.WriteString ":WAV:DATA?"

' READ_WAVE_DATA - The wave data consists of two parts: the header,
' and the actual waveform data followed by a new line (NL) character.
' The query data has the following format:
'
'     <header><waveform_data><NL>
'
' Where:
'     <header> = #800001000 (This is an example header)
' The "#8" may be stripped off of the header and the remaining
' numbers are the size, in bytes, of the waveform data block. The
' size can vary depending on the number of points acquired for the
' waveform. You can then read that number of bytes from the
' oscilloscope and the terminating NL character.
'
Dim lngI As Long
Dim lngDataValue As Long

' Unsigned integer bytes.
varQueryResult = myScope.ReadIEEEBlock(BinaryType_UI1)

For lngI = 0 To UBound(varQueryResult) _
    Step (UBound(varQueryResult) / 20) ' 20 points.
    If intBytesPerData = 2 Then
        lngDataValue = varQueryResult(lngI) * 256 _
            + varQueryResult(lngI + 1) ' 16-bit value.
    Else
        lngDataValue = varQueryResult(lngI) ' 8-bit value.
    End If
    strOutput = strOutput + "Data point " + _
        CStr(lngI / intBytesPerData) + ", " + _
        FormatNumber((lngDataValue - lngYReference) _
            * sngYIncrement + sngYOrigin) + " V, " + _
        FormatNumber(((lngI / intBytesPerData - lngXReference) _
            * sngXIncrement + dblXOrigin) * 1000000) + " us" + vbCrLf
Next lngI
MsgBox "Waveform data:" + vbCrLf + strOutput

```

See complete example programs at: [Chapter 40](#), "Programming Examples," starting on page 1181



## :WAVeform:SOURce:SUBSource

**C** (see [page 1172](#))

**Command Syntax** :WAVeform:SOURce:SUBSource <subsource>

<subsource> ::= {{SUB0 | RX | MOSI} | {SUB1 | TX | MISO}}

If the :WAVeform:SOURce is SBUS<n> (serial decode), more than one data set may be available, and this command lets you choose from the available data sets.

When using UART serial decode, this option lets you get "TX" data. (TX is an alias for SUB1.) The default, SUB0, specifies "RX" data. (RX is an alias for SUB0.)

When using SPI serial decode, this option lets you get "MISO" data. (MISO is an alias for SUB1.) The default, SUB0, specifies "MOSI" data. (MOSI is an alias for SUB0.)

If the :WAVeform:SOURce is not SBUS, or the :SBUS<n>:MODE is not UART or SPI, the only valid subsource is SUB0.

**Query Syntax** :WAVeform:SOURce:SUBSource?

The :WAVeform:SOURce:SUBSource? query returns the current waveform subsource setting.

**Return Format** <subsource><NL>

<subsource> ::= {SUB0 | SUB1}

- See Also**
- ["Introduction to :WAVeform Commands"](#) on page 993
  - [":WAVeform:SOURce"](#) on page 1013

## :WAVeform:TYPE

**C** (see [page 1172](#))

**Query Syntax** :WAVeform:TYPE?

The :WAVeform:TYPE? query returns the acquisition mode associated with the currently selected waveform. The acquisition mode is set by the :ACQuire:TYPE command.

**Return Format** <mode><NL>

<mode> ::= {NORM | PEAK | AVER | HRES}

**NOTE**

If the :WAVeform:SOURce is POD1, POD2, or SBUS1, SBUS2, the type is always NORM.

- 
- See Also**
- ["Introduction to :WAVeform Commands"](#) on page 993
  - [":ACQuire:TYPE"](#) on page 251
  - [":WAVeform:DATA"](#) on page 1001
  - [":WAVeform:PREamble"](#) on page 1008
  - [":WAVeform:SOURce"](#) on page 1013

## :WAVEform:UNSigned

**C** (see [page 1172](#))

**Command Syntax** :WAVEform:UNSigned <unsigned>

<unsigned> ::= {{0 | OFF} | {1 | ON}}

The :WAVEform:UNSigned command turns unsigned mode on or off for the currently selected waveform. Use the WAVEform:UNSigned command to control whether data values are sent as unsigned or signed integers. This command can be used to match the instrument's internal data type to the data type used by the programming language. This command has no effect if the data format is ASCII.

If :WAVEform:SOURce is set to POD1, POD2, BUS1, or BUS2, WAVEform:UNSigned must be set to ON.

**Query Syntax** :WAVEform:UNSigned?

The :WAVEform:UNSigned? query returns the status of unsigned mode for the currently selected waveform.

**Return Format** <unsigned><NL>

<unsigned> ::= {0 | 1}

- See Also**
- ["Introduction to :WAVEform Commands"](#) on page 993
  - [":WAVEform:SOURce"](#) on page 1013

## :WAVeform:VIEW

**C** (see [page 1172](#))

**Command Syntax** :WAVeform:VIEW <view>

<view> ::= {MAIN}

The :WAVeform:VIEW command sets the view setting associated with the currently selected waveform. Currently, the only legal value for the view setting is MAIN.

**Query Syntax** :WAVeform:VIEW?

The :WAVeform:VIEW? query returns the view setting associated with the currently selected waveform.

**Return Format** <view><NL>

<view> ::= {MAIN}

- See Also**
- ["Introduction to :WAVeform Commands"](#) on page 993
  - [":WAVeform:POINts"](#) on page 1004

## :WAVEform:XINCrement

**C** (see [page 1172](#))

**Query Syntax** :WAVEform:XINCrement?

The :WAVEform:XINCrement? query returns the x-increment value for the currently specified source. This value is the time difference between consecutive data points in seconds.

**Return Format** <value><NL>

<value> ::= x-increment in the current preamble in 64-bit floating point NR3 format

- See Also**
- ["Introduction to :WAVEform Commands"](#) on page 993
  - [":WAVEform:PREamble"](#) on page 1008

**Example Code** • ["Example Code"](#) on page 1009

## :WAVEform:XORigin

**C** (see [page 1172](#))

**Query Syntax** :WAVEform:XORigin?

The :WAVEform:XORigin? query returns the x-origin value for the currently specified source. XORigin is the X-axis value of the data point specified by the :WAVEform:XREFerence value. In this product, that is always the X-axis value of the first data point (XREFerence = 0).

**Return Format** <value><NL>

<value> ::= x-origin value in the current preamble in 64-bit floating point NR3 format

- See Also**
- ["Introduction to :WAVEform Commands"](#) on page 993
  - [":WAVEform:PREamble"](#) on page 1008
  - [":WAVEform:XREFerence"](#) on page 1023

**Example Code** • ["Example Code"](#) on page 1009

## :WAVeform:XREFerence

**C** (see [page 1172](#))

**Query Syntax** :WAVeform:XREFerence?

The :WAVeform:XREFerence? query returns the x-reference value for the currently specified source. This value specifies the index of the data point associated with the x-origin data value. In this product, the x-reference point is the first point displayed and XREFerence is always 0.

**Return Format** <value><NL>

<value> ::= x-reference value = 0 in 32-bit NR1 format

- See Also**
- ["Introduction to :WAVeform Commands"](#) on page 993
  - [":WAVeform:PREamble"](#) on page 1008
  - [":WAVeform:XORigin"](#) on page 1022

- Example Code**
- ["Example Code"](#) on page 1009

## :WAVEform:YINCrement

**C** (see [page 1172](#))

**Query Syntax** :WAVEform:YINCrement?

The :WAVEform:YINCrement? query returns the y-increment value in volts for the currently specified source. This value is the voltage difference between consecutive data values. The y-increment for digital waveforms is always "1".

**Return Format** <value><NL>

<value> ::= y-increment value in the current preamble in 32-bit floating point NR3 format

- See Also**
- ["Introduction to :WAVEform Commands"](#) on page 993
  - [":WAVEform:PREamble"](#) on page 1008

**Example Code** • ["Example Code"](#) on page 1009



## :WAVeform:YORigin

**C** (see [page 1172](#))

**Query Syntax** :WAVeform:YORigin?

The :WAVeform:YORigin? query returns the y-origin value for the currently specified source. This value is the Y-axis value of the data value specified by the :WAVeform:YREFerence value. For this product, this is the Y-axis value of the center of the screen.

**Return Format** <value><NL>

<value> ::= y-origin in the current preamble in 32-bit floating point NR3 format

- See Also**
- ["Introduction to :WAVeform Commands"](#) on page 993
  - [":WAVeform:PREamble"](#) on page 1008
  - [":WAVeform:YREFerence"](#) on page 1026

**Example Code** • ["Example Code"](#) on page 1009

## :WAVeform:YREFerence

**C** (see [page 1172](#))

**Query Syntax** :WAVeform:YREFerence?

The :WAVeform:YREFerence? query returns the y-reference value for the currently specified source. This value specifies the data point value where the y-origin occurs. In this product, this is the data point value of the center of the screen. It is undefined if the format is ASCII.

**Return Format** <value><NL>

<value> ::= y-reference value in the current preamble in 32-bit  
NR1 format

- See Also**
- ["Introduction to :WAVeform Commands"](#) on page 993
  - [":WAVeform:PREamble"](#) on page 1008
  - [":WAVeform:YORigin"](#) on page 1025

**Example Code** • ["Example Code"](#) on page 1009

## 33 :WGEN Commands

When the built-in waveform generator is licensed (Option WGN), you can use it to output sine, square, ramp, pulse, DC, noise, sine cardinal, exponential rise, exponential fall, cardiac, and gaussian pulse waveforms. The :WGEN commands are used to select the waveform function and parameters. See "[Introduction to :WGEN Commands](#)" on page 1029.

**Table 140** :WGEN Commands Summary

Command	Query	Options and Query Returns
:WGEN:ARbitrary:BYTeo rder <order> (see <a href="#">page 1031</a> )	:WGEN:ARbitrary:BYTeo rder? (see <a href="#">page 1031</a> )	<order> ::= {MSBFirst   LSBFirst}
:WGEN:ARbitrary:DATA {<binary>   <value>, <value> ...} (see <a href="#">page 1032</a> )	n/a	<binary> ::= single-precision floating point values between -1.0 to +1.0 in IEEE 488.2 binary block format  <value> ::= floating point values between -1.0 to +1.0 in comma-separated format
n/a	:WGEN:ARbitrary:DATA: ATTRibute:POINTs? (see <a href="#">page 1035</a> )	<points> ::= number of points in NR1 format
:WGEN:ARbitrary:DATA: CLEar (see <a href="#">page 1036</a> )	n/a	n/a
:WGEN:ARbitrary:DATA: DAC {<binary>   <value>, <value> ...} (see <a href="#">page 1037</a> )	n/a	<binary> ::= decimal 16-bit integer values between -512 to +511 in IEEE 488.2 binary block format  <value> ::= decimal integer values between -512 to +511 in comma-separated NR1 format
:WGEN:ARbitrary:INTER polate {{0   OFF}   {1   ON}} (see <a href="#">page 1038</a> )	:WGEN:ARbitrary:INTER polate? (see <a href="#">page 1038</a> )	{0   1}

**Table 140** :WGEN Commands Summary (continued)

Command	Query	Options and Query Returns
:WGEN:ARbitrary:STORE <source> (see page 1039)	n/a	<source> ::= {CHANnel<n>   WMEemory<r>   FUNCTion   MATH} <n> ::= 1 to (# analog channels) in NR1 format <r> ::= 1-2 in NR1 format
:WGEN:FREquency <frequency> (see page 1040)	:WGEN:FREquency? (see page 1040)	<frequency> ::= frequency in Hz in NR3 format
:WGEN:FUNCTion <signal> (see page 1041)	:WGEN:FUNCTion? (see page 1044)	<signal> ::= {SINusoid   SQUare   RAMP   PULSe   NOISE   DC   SINC   EXPRise   EXPFall   CARDiac   GAUSSian   ARBitary}
:WGEN:FUNCTion:PULSe: WIDTh <width> (see page 1045)	:WGEN:FUNCTion:PULSe: WIDTh? (see page 1045)	<width> ::= pulse width in seconds in NR3 format
:WGEN:FUNCTion:RAMP:S YMMetry <percent> (see page 1046)	:WGEN:FUNCTion:RAMP:S YMMetry? (see page 1046)	<percent> ::= symmetry percentage from 0% to 100% in NR1 format
:WGEN:FUNCTion:SQUare :DCYCLE <percent> (see page 1047)	:WGEN:FUNCTion:SQUare :DCYCLE? (see page 1047)	<percent> ::= duty cycle percentage from 20% to 80% in NR1 format
:WGEN:MODulation:AM:D EPTh <percent> (see page 1048)	:WGEN:MODulation:AM:D EPTh? (see page 1048)	<percent> ::= AM depth percentage from 0% to 100% in NR1 format
:WGEN:MODulation:AM:F REquency <frequency> (see page 1049)	:WGEN:MODulation:AM:F REquency? (see page 1049)	<frequency> ::= modulating waveform frequency in Hz in NR3 format
:WGEN:MODulation:FM:D EVIation <frequency> (see page 1050)	:WGEN:MODulation:FM:D EVIation? (see page 1050)	<frequency> ::= frequency deviation in Hz in NR3 format
:WGEN:MODulation:FM:F REquency <frequency> (see page 1051)	:WGEN:MODulation:FM:F REquency? (see page 1051)	<frequency> ::= modulating waveform frequency in Hz in NR3 format
:WGEN:MODulation:FSKe y:FREquency <percent> (see page 1052)	:WGEN:MODulation:FSKe y:FREquency? (see page 1052)	<frequency> ::= hop frequency in Hz in NR3 format
:WGEN:MODulation:FSKe y:RATE <rate> (see page 1053)	:WGEN:MODulation:FSKe y:RATE? (see page 1053)	<rate> ::= FSK modulation rate in Hz in NR3 format

**Table 140** :WGEN Commands Summary (continued)

Command	Query	Options and Query Returns
:WGEN:MODulation:FUNCTION <shape> (see <a href="#">page 1054</a> )	:WGEN:MODulation:FUNCTION? (see <a href="#">page 1054</a> )	<shape> ::= {SINusoid   SQUARE   RAMP}
:WGEN:MODulation:FUNCTION:RAMP:SYMMetry <percent> (see <a href="#">page 1055</a> )	:WGEN:MODulation:FUNCTION:RAMP:SYMMetry? (see <a href="#">page 1055</a> )	<percent> ::= symmetry percentage from 0% to 100% in NR1 format
:WGEN:MODulation:NOISe <percent> (see <a href="#">page 1056</a> )	:WGEN:MODulation:NOISe? (see <a href="#">page 1056</a> )	<percent> ::= 0 to 100
:WGEN:MODulation:STATe {{0   OFF}   {1   ON}} (see <a href="#">page 1057</a> )	:WGEN:MODulation:STATe? (see <a href="#">page 1057</a> )	{0   1}
:WGEN:MODulation:TYPE <type> (see <a href="#">page 1058</a> )	:WGEN:MODulation:TYPE? (see <a href="#">page 1058</a> )	<type> ::= {AM   FM   FSK}
:WGEN:OUTPut {{0   OFF}   {1   ON}} (see <a href="#">page 1060</a> )	:WGEN:OUTPut? (see <a href="#">page 1060</a> )	{0   1}
:WGEN:OUTPut:LOAD <impedance> (see <a href="#">page 1061</a> )	:WGEN:OUTPut:LOAD? (see <a href="#">page 1061</a> )	<impedance> ::= {ONEMeg   FIFTy}
:WGEN:PERiod <period> (see <a href="#">page 1062</a> )	:WGEN:PERiod? (see <a href="#">page 1062</a> )	<period> ::= period in seconds in NR3 format
:WGEN:RST (see <a href="#">page 1063</a> )	n/a	n/a
:WGEN:VOLTage <amplitude> (see <a href="#">page 1064</a> )	:WGEN:VOLTage? (see <a href="#">page 1064</a> )	<amplitude> ::= amplitude in volts in NR3 format
:WGEN:VOLTage:HIGH <high> (see <a href="#">page 1065</a> )	:WGEN:VOLTage:HIGH? (see <a href="#">page 1065</a> )	<high> ::= high-level voltage in volts, in NR3 format
:WGEN:VOLTage:LOW <low> (see <a href="#">page 1066</a> )	:WGEN:VOLTage:LOW? (see <a href="#">page 1066</a> )	<low> ::= low-level voltage in volts, in NR3 format
:WGEN:VOLTage:OFFSet <offset> (see <a href="#">page 1067</a> )	:WGEN:VOLTage:OFFSet? (see <a href="#">page 1067</a> )	<offset> ::= offset in volts in NR3 format

**Introduction to :WGEN Commands** The :WGEN subsystem provides commands to select the waveform generator function and parameters.

### Reporting the Setup

Use :WGEN? to query setup information for the WGEN subsystem.

#### Return Format

The following is a sample response from the :WGEN? query. In this case, the query was issued following the \*RST command.

```
:WGEN:FUNC SIN;OUTP 0;FREQ +1.0000E+03;VOLT +500.0E-03;VOLT:OFFS  
+0.0E+00;:WGEN:OUTP:LOAD ONEM
```

## :WGEN:ARbitrary:BYTeorder

**N** (see [page 1172](#))

**Command Syntax** :WGEN:ARbitrary:BYTeorder <order>

<order> ::= {MSBFirst | LSBFirst}

The :WGEN:ARbitrary:BYTeorder command selects the byte order for binary transfers.

**Query Syntax** :WGEN:ARbitrary:BYTeorder?

The :WGEN:ARbitrary:BYTeorder query returns the current byte order selection.

**Return Format** <order><NL>

<order> ::= {MSBFirst | LSBFirst}

- See Also**
- [":WGEN:ARbitrary:DATA"](#) on page 1032
  - [":WGEN:ARbitrary:DATA:DAC"](#) on page 1037

**:WGEN:ARbitrary:DATA**

**N** (see [page 1172](#))

**Command Syntax** :WGEN:ARbitrary:DATA {<binary> | <value>, <value> ...}

<binary> ::= single-precision floating point values between  
-1.0 to +1.0 in IEEE 488.2 binary block format

<value> ::= floating point values between -1.0 to +1.0  
in comma-separated format

The :WGEN:ARbitrary:DATA command downloads an arbitrary waveform in floating-point values format.

- See Also**
- [":WGEN:ARbitrary:DATA:DAC"](#) on page 1037
  - [":SAVE:ARbitrary\[:START\]"](#) on page 632
  - [":RECall:ARbitrary\[:START\]"](#) on page 623

**Example Code** ' Waveform generator arbitrary data commands example.

```
' -----
Option Explicit

Public myMgr As VisaComLib.ResourceManager
Public myScope As VisaComLib.FormattedIO488
Public varQueryResult As Variant
Public strQueryResult As String

Private Declare Sub Sleep Lib "kernel32" (ByVal dwMilliseconds As Long)
Private Declare Sub CopyMemory Lib "kernel32" Alias "RtlMoveMemory" ( _
    dest As Any, _
    source As Any, _
    ByVal bytes As Long)

Sub Main()

    On Error GoTo VisaComError

    ' Create the VISA COM I/O resource.
    Set myMgr = New VisaComLib.ResourceManager
    Set myScope = New VisaComLib.FormattedIO488
    Set myScope.IO = _
        myMgr.Open("TCPIP0::a-mx3104a-90028.cos.is.keysight.com::inst0::
INSTR")
    myScope.IO.Clear ' Clear the interface.

    ' Turn on arbitrary waveform generator function.
    myScope.WriteString ":WGEN1:OUTPut ON"
    myScope.WriteString ":WGEN1:FUNCTION ARbitrary"
    myScope.WriteString ":WGEN1:FUNCTION?"
    strQueryResult = myScope.ReadString
    Debug.Print "WaveGen1 function: " + strQueryResult

    DefaultArbitraryWaveform
```



```

' Download comma-separated floating-point values.
myScope.WriteString ":WGEN1:ARbitrary:DATA 0.0, 0.5, 1.0, 0.5, 0.0, -0
.5, -1.0, -0.5"
Debug.Print "WaveGen1 CSV floating-point values downloaded."
Sleep 5000

DefaultArbitraryWaveform

' Download comma-separated 16-bit integer (DAC) values.
myScope.WriteString ":WGEN1:ARbitrary:DATA:DAC 0, 255, 511, 255, 0, -2
56, -512, -256"
Debug.Print "WaveGen1 CSV 16-bit integer (DAC) values downloaded."
Sleep 5000

' Set the byte order for binary data.
myScope.WriteString ":WGEN1:ARbitrary:BYTeorder LSBFirst"
myScope.WriteString ":WGEN1:ARbitrary:BYTeorder?"
strQueryResult = myScope.ReadString
Debug.Print "WaveGen1 byte order for binary data: " + strQueryResult

DefaultArbitraryWaveform

' Download binary floating-point values.
Dim mySingleArray(8) As Single
mySingleArray(0) = 0!
mySingleArray(1) = 0.5!
mySingleArray(2) = 1!
mySingleArray(3) = 0.5!
mySingleArray(4) = 0!
mySingleArray(5) = -0.5!
mySingleArray(6) = -1!
mySingleArray(7) = -0.5!

Dim myByteArray(32) As Byte
CopyMemory myByteArray(0), mySingleArray(0), 32 * LenB(myByteArray(0))

myScope.WriteIEEEBlock ":WGEN1:ARbitrary:DATA", myByteArray, True
Debug.Print "WaveGen1 binary floating-point values downloaded."
Sleep 5000

DefaultArbitraryWaveform

' Download binary 16-bit integer (DAC) values.
Dim myIntegerArray(8) As Integer
myIntegerArray(0) = 0
myIntegerArray(1) = 255
myIntegerArray(2) = 511
myIntegerArray(3) = 255
myIntegerArray(4) = 0
myIntegerArray(5) = -256
myIntegerArray(6) = -512
myIntegerArray(7) = -256

Dim myByteArray2(16) As Byte
CopyMemory myByteArray2(0), myIntegerArray(0), 16 * LenB(myByteArray2(
0))

```

```

myScope.WriteIIEEEBlock ":WGEN1:ARbitrary:DATA:DAC", myByteArray2, True
Debug.Print "WaveGen1 binary 16-bit integer (DAC) values downloaded."
Sleep 5000

Exit Sub

VisaComError:
  MsgBox "VISA COM Error:" + vbCrLf + Err.Description

End Sub

'
' Initialize WaveGen1 to a known state.
' -----
Private Sub DefaultArbitraryWaveform()

  On Error GoTo VisaComError

  ' Load default arbitrary waveform.
  myScope.WriteString ":WGEN1:ARbitrary:DATA:CLear"
  Debug.Print "WaveGen1 default arbitrary waveform loaded."
  Sleep 5000

  Exit Sub

VisaComError:
  MsgBox "VISA COM Error:" + vbCrLf + Err.Description
  End

End Sub

```

## :WGEN:ARbitrary:DATA:ATTRibute:POINts

**N** (see [page 1172](#))

**Query Syntax** :WGEN:ARbitrary:DATA:ATTRibute:POINts?

The :WGEN:ARbitrary:DATA:ATTRibute:POINts query returns the number of points used by the current arbitrary waveform.

**Return Format** <points> ::= number of points in NR1 format

- See Also**
- [":WGEN:ARbitrary:DATA"](#) on page 1032
  - [":WGEN:ARbitrary:DATA:DAC"](#) on page 1037
  - [":SAVE:ARbitrary\[:START\]"](#) on page 632
  - [":RECall:ARbitrary\[:START\]"](#) on page 623

## :WGEN:ARbitrary:DATA:CLEar

**N** (see [page 1172](#))

**Command Syntax** :WGEN:ARbitrary:DATA:CLEar

The :WGEN:ARbitrary:DATA:CLEar command clears the arbitrary waveform memory and loads it with the default waveform.

- See Also**
- [":WGEN:ARbitrary:DATA"](#) on page 1032
  - [":WGEN:ARbitrary:DATA:DAC"](#) on page 1037
  - [":SAVE:ARbitrary\[:START\]"](#) on page 632
  - [":RECall:ARbitrary\[:START\]"](#) on page 623

**Example Code** • ["Example Code"](#) on page 1032

## :WGEN:ARbitrary:DATA:DAC

**N** (see [page 1172](#))

**Command Syntax** :WGEN:ARbitrary:DATA:DAC {<binary> | <value>, <value> ...}

<binary> ::= decimal 16-bit integer values between -512 to +511  
in IEEE 488.2 binary block format

<value> ::= decimal integer values between -512 to +511  
in comma-separated NR1 format

The :WGEN:ARbitrary:DATA:DAC command downloads an arbitrary waveform using 16-bit integer (DAC) values.

- See Also**
- [":WGEN:ARbitrary:DATA"](#) on page 1032
  - [":SAVE:ARbitrary\[:START\]"](#) on page 632
  - [":RECall:ARbitrary\[:START\]"](#) on page 623

- Example Code**
- ["Example Code"](#) on page 1032

## :WGEN:ARbitrary:INterpolate

**N** (see [page 1172](#))

**Command Syntax** :WGEN:ARbitrary:INterpolate {{0 | OFF} | {1 | ON}}

The :WGEN:ARbitrary:INterpolate command enables or disables the Interpolation control.

Interpolation specifies how lines are drawn between arbitrary waveform points:

- When ON, lines are drawn between points in the arbitrary waveform. Voltage levels change linearly between one point and the next.
- When OFF, all line segments in the arbitrary waveform are horizontal. The voltage level of one point remains until the next point.

**Query Syntax** :WGEN:ARbitrary:INterpolate?

The :WGEN:ARbitrary:INterpolate query returns the current interpolation setting.

**Return Format** {0 | 1}

- See Also**
- [":WGEN:ARbitrary:DATA"](#) on page 1032
  - [":WGEN:ARbitrary:DATA:DAC"](#) on page 1037
  - [":SAVE:ARbitrary\[:START\]"](#) on page 632
  - [":RECall:ARbitrary\[:START\]"](#) on page 623

## :WGEN:ARbitrary:STORE

**N** (see [page 1172](#))

**Command Syntax** :WGEN:ARbitrary:STORE <source>  
 <source> ::= {CHANnel<n> | WMemory<r> | FUNCTION | MATH}  
 <n> ::= 1 to (# analog channels) in NR1 format  
 <r> ::= 1-2 in NR1 format

The :WGEN:ARbitrary:STORE command stores the source's waveform into the arbitrary waveform memory.

- See Also**
- [":WGEN:ARbitrary:DATA"](#) on page 1032
  - [":WGEN:ARbitrary:DATA:DAC"](#) on page 1037
  - [":SAVE:ARbitrary\[:START\]"](#) on page 632
  - [":RECall:ARbitrary\[:START\]"](#) on page 623

## :WGEN:FREQuency

**N** (see [page 1172](#))

**Command Syntax** :WGEN:FREQuency <frequency>

<frequency> ::= frequency in Hz in NR3 format

For all waveforms except Noise and DC, the :WGEN:FREQuency command specifies the frequency of the waveform.

You can also specify the frequency indirectly using the :WGEN:PERiod command.

**Query Syntax** :WGEN:FREQuency?

The :WGEN:FREQuency? query returns the currently set waveform generator frequency.

**Return Format** <frequency><NL>

<frequency> ::= frequency in Hz in NR3 format

- See Also**
- ["Introduction to :WGEN Commands"](#) on page 1029
  - [":WGEN:FUNCTion"](#) on page 1041
  - [":WGEN:PERiod"](#) on page 1062



## :WGEN:FUNCTION

**N** (see [page 1172](#))

**Command Syntax** :WGEN:FUNCTION <signal>

<signal> ::= {SINusoid | SQUare | RAMP | PULSe | DC | NOISe | SINC  
| EXPRise | EXPFall | CARDiac | GAUSSian | ARBitary}

The :WGEN:FUNCTION command selects the type of waveform:

Waveform Type	Characteristics	Frequency Range	Max. Amplitude (High-Z) <sup>1</sup>	Offset (High-Z) <sup>1</sup>
SINusoid	Use these commands to set the sine signal parameters: <ul style="list-style-type: none"> <li>▪ ":WGEN:FREQuency" on page 1040</li> <li>▪ ":WGEN:PERiod" on page 1062</li> <li>▪ ":WGEN:VOLTage" on page 1064</li> <li>▪ ":WGEN:VOLTage:OFFSet" on page 1067</li> <li>▪ ":WGEN:VOLTage:HIGH" on page 1065</li> <li>▪ ":WGEN:VOLTage:LOW" on page 1066</li> </ul>	100 mHz to 20 MHz	20 mVpp to 5 Vpp	±2.50 V
SQUare	Use these commands to set the square wave signal parameters: <ul style="list-style-type: none"> <li>▪ ":WGEN:FREQuency" on page 1040</li> <li>▪ ":WGEN:PERiod" on page 1062</li> <li>▪ ":WGEN:VOLTage" on page 1064</li> <li>▪ ":WGEN:VOLTage:OFFSet" on page 1067</li> <li>▪ ":WGEN:VOLTage:HIGH" on page 1065</li> <li>▪ ":WGEN:VOLTage:LOW" on page 1066</li> <li>▪ ":WGEN:FUNCTION:SQUare:DCYCLE" on page 1047</li> </ul> <p>The duty cycle can be adjusted from 20% to 80%.</p>	100 mHz to 10 MHz	20 mVpp to 5 Vpp	±2.50 V

Waveform Type	Characteristics	Frequency Range	Max. Amplitude (High-Z) <sup>1</sup>	Offset (High-Z) <sup>1</sup>
RAMP	<p>Use these commands to set the ramp signal parameters:</p> <ul style="list-style-type: none"> <li>▪ <b>":WGEN:FREQuency"</b> on page 1040</li> <li>▪ <b>":WGEN:PERiod"</b> on page 1062</li> <li>▪ <b>":WGEN:VOLTage"</b> on page 1064</li> <li>▪ <b>":WGEN:VOLTage:OFFSet"</b> on page 1067</li> <li>▪ <b>":WGEN:VOLTage:HIGH"</b> on page 1065</li> <li>▪ <b>":WGEN:VOLTage:LOW"</b> on page 1066</li> <li>▪ <b>":WGEN:FUNcTion:RAMP:SYMMetry"</b> on page 1046</li> </ul> <p>Symmetry represents the amount of time per cycle that the ramp waveform is rising and can be adjusted from 0% to 100%.</p>	100 mHz to 200 kHz	20 mVpp to 5 Vpp	±2.50 V
PULSe	<p>Use these commands to set the pulse signal parameters:</p> <ul style="list-style-type: none"> <li>▪ <b>":WGEN:FREQuency"</b> on page 1040</li> <li>▪ <b>":WGEN:PERiod"</b> on page 1062</li> <li>▪ <b>":WGEN:VOLTage"</b> on page 1064</li> <li>▪ <b>":WGEN:VOLTage:OFFSet"</b> on page 1067</li> <li>▪ <b>":WGEN:VOLTage:HIGH"</b> on page 1065</li> <li>▪ <b>":WGEN:VOLTage:LOW"</b> on page 1066</li> <li>▪ <b>":WGEN:FUNcTion:PULSe:WIDTh"</b> on page 1045</li> </ul> <p>The pulse width can be adjusted from 20 ns to the period minus 20 ns.</p>	100 mHz to 10 MHz.	20 mVpp to 5 Vpp	±2.50 V
DC	<p>Use this command to set the DC level:</p> <ul style="list-style-type: none"> <li>▪ <b>":WGEN:VOLTage:OFFSet"</b> on page 1067</li> </ul>	n/a	n/a	±2.50 V
NOISe	<p>Use these commands to set the noise signal parameters:</p> <ul style="list-style-type: none"> <li>▪ <b>":WGEN:VOLTage"</b> on page 1064</li> <li>▪ <b>":WGEN:VOLTage:OFFSet"</b> on page 1067</li> <li>▪ <b>":WGEN:VOLTage:HIGH"</b> on page 1065</li> <li>▪ <b>":WGEN:VOLTage:LOW"</b> on page 1066</li> </ul>	n/a	20 mVpp to 5 Vpp	±2.50 V

Waveform Type	Characteristics	Frequency Range	Max. Amplitude (High-Z) <sup>1</sup>	Offset (High-Z) <sup>1</sup>
SINC	Use these commands to set the sine cardinal signal parameters: <ul style="list-style-type: none"> <li>▪ <b>":WGEN:FREQuency"</b> on page 1040</li> <li>▪ <b>":WGEN:PERiod"</b> on page 1062</li> <li>▪ <b>":WGEN:VOLTage"</b> on page 1064</li> <li>▪ <b>":WGEN:VOLTage:OFFSet"</b> on page 1067</li> </ul>	100 mHz to 1 MHz	20 mVpp to 5 Vpp	±1.25 V
EXPRise	Use these commands to set the exponential rise signal parameters: <ul style="list-style-type: none"> <li>▪ <b>":WGEN:FREQuency"</b> on page 1040</li> <li>▪ <b>":WGEN:PERiod"</b> on page 1062</li> <li>▪ <b>":WGEN:VOLTage"</b> on page 1064</li> <li>▪ <b>":WGEN:VOLTage:OFFSet"</b> on page 1067</li> <li>▪ <b>":WGEN:VOLTage:HIGH"</b> on page 1065</li> <li>▪ <b>":WGEN:VOLTage:LOW"</b> on page 1066</li> </ul>	100 mHz to 5 MHz	20 mVpp to 5 Vpp	±2.50 V
EXPFall	Use these commands to set the exponential fall signal parameters: <ul style="list-style-type: none"> <li>▪ <b>":WGEN:FREQuency"</b> on page 1040</li> <li>▪ <b>":WGEN:PERiod"</b> on page 1062</li> <li>▪ <b>":WGEN:VOLTage"</b> on page 1064</li> <li>▪ <b>":WGEN:VOLTage:OFFSet"</b> on page 1067</li> <li>▪ <b>":WGEN:VOLTage:HIGH"</b> on page 1065</li> <li>▪ <b>":WGEN:VOLTage:LOW"</b> on page 1066</li> </ul>	100 mHz to 5 MHz	20 mVpp to 5 Vpp	±2.50 V
CARDiac	Use these commands to set the cardiac signal parameters: <ul style="list-style-type: none"> <li>▪ <b>":WGEN:FREQuency"</b> on page 1040</li> <li>▪ <b>":WGEN:PERiod"</b> on page 1062</li> <li>▪ <b>":WGEN:VOLTage"</b> on page 1064</li> <li>▪ <b>":WGEN:VOLTage:OFFSet"</b> on page 1067</li> </ul>	100 mHz to 200 kHz	20 mVpp to 5 Vpp	±1.25 V
GAUSSian	Use these commands to set the gaussian pulse signal parameters: <ul style="list-style-type: none"> <li>▪ <b>":WGEN:FREQuency"</b> on page 1040</li> <li>▪ <b>":WGEN:PERiod"</b> on page 1062</li> <li>▪ <b>":WGEN:VOLTage"</b> on page 1064</li> <li>▪ <b>":WGEN:VOLTage:OFFSet"</b> on page 1067</li> </ul>	100 mHz to 5 MHz	20 mVpp to 4 Vpp	±1.25 V

Waveform Type	Characteristics	Frequency Range	Max. Amplitude (High-Z) <sup>1</sup>	Offset (High-Z) <sup>1</sup>
ARbitrary	Use these commands to set the arbitrary signal parameters: <ul style="list-style-type: none"> <li>▪ <b>":WGEN:FREQuency"</b> on page 1040</li> <li>▪ <b>":WGEN:PERiod"</b> on page 1062</li> <li>▪ <b>":WGEN:VOLTage"</b> on page 1064</li> <li>▪ <b>":WGEN:VOLTage:OFFSet"</b> on page 1067</li> <li>▪ <b>":WGEN:VOLTage:HIGH"</b> on page 1065</li> <li>▪ <b>":WGEN:VOLTage:LOW"</b> on page 1066</li> </ul>	100 mHz to 12 MHz	20 mVpp to 5 Vpp	±2.50 V
<sup>1</sup> When the output load is 50 Ω, these values are halved.				

**Query Syntax** :WGEN:FUNction?

The :WGEN:FUNction? query returns the currently selected signal type.

**Return Format** <signal><NL>

<signal> ::= {SIN | SQU | RAMP | PULS | DC | NOIS | SINC | EXPR | EXPF  
| CARD | GAUS | ARB}

- See Also**
- **"Introduction to :WGEN Commands"** on page 1029
  - **":WGEN:MODulation:NOISe"** on page 1056

## :WGEN:FUNCTION:PULSE:WIDTH

**N** (see [page 1172](#))

**Command Syntax** :WGEN:FUNCTION:PULSE:WIDTH <width>

<width> ::= pulse width in seconds in NR3 format

For Pulse waveforms, the :WGEN:FUNCTION:PULSE:WIDTH command specifies the width of the pulse.

The pulse width can be adjusted from 20 ns to the period minus 20 ns.

**Query Syntax** :WGEN:FUNCTION:PULSE:WIDTH?

The :WGEN:FUNCTION:PULSE:WIDTH? query returns the currently set pulse width.

**Return Format** <width><NL>

<width> ::= pulse width in seconds in NR3 format

- See Also**
- ["Introduction to :WGEN Commands"](#) on page 1029
  - [":WGEN:FUNCTION"](#) on page 1041

## :WGEN:FUNCTION:RAMP:SYMMetry

**N** (see [page 1172](#))

**Command Syntax** :WGEN:FUNCTION:RAMP:SYMMetry <percent>

<percent> ::= symmetry percentage from 0% to 100% in NR1 format

For Ramp waveforms, the :WGEN:FUNCTION:RAMP:SYMMetry command specifies the symmetry of the waveform.

Symmetry represents the amount of time per cycle that the ramp waveform is rising.

**Query Syntax** :WGEN:FUNCTION:RAMP:SYMMetry?

The :WGEN:FUNCTION:RAMP:SYMMetry? query returns the currently set ramp symmetry.

**Return Format** <percent><NL>

<percent> ::= symmetry percentage from 0% to 100% in NR1 format

- See Also**
- ["Introduction to :WGEN Commands"](#) on page 1029
  - [":WGEN:FUNCTION"](#) on page 1041

## :WGEN:FUNCTION:SQUare:DCYClE

**N** (see [page 1172](#))

**Command Syntax** :WGEN:FUNCTION:SQUare:DCYClE <percent>

<percent> ::= duty cycle percentage from 20% to 80% in NR1 format

For Square waveforms, the :WGEN:FUNCTION:SQUare:DCYClE command specifies the square wave duty cycle.

Duty cycle is the percentage of the period that the waveform is high.

**Query Syntax** :WGEN:FUNCTION:SQUare:DCYClE?

The :WGEN:FUNCTION:SQUare:DCYClE? query returns the currently set square wave duty cycle.

**Return Format** <percent><NL>

<percent> ::= duty cycle percentage from 20% to 80% in NR1 format

- See Also**
- ["Introduction to :WGEN Commands"](#) on page 1029
  - [":WGEN:FUNCTION"](#) on page 1041

**:WGEN:MODulation:AM:DEPTH**

**N** (see [page 1172](#))

**Command Syntax** :WGEN:MODulation:AM:DEPTH <percent>

<percent> ::= AM depth percentage from 0% to 100% in NR1 format

The :WGEN:MODulation:AM:DEPTH command specifies the amount of amplitude modulation.

AM Depth refers to the portion of the amplitude range that will be used by the modulation. For example, a depth setting of 80% causes the output amplitude to vary from 10% to 90% (90% – 10% = 80%) of the original amplitude as the modulating signal goes from its minimum to maximum amplitude.

**Query Syntax** :WGEN:MODulation:AM:DEPTH?

The :WGEN:MODulation:AM:DEPTH? query returns the AM depth percentage setting.

**Return Format** <percent><NL>

<percent> ::= AM depth percentage from 0% to 100% in NR1 format

- See Also**
- [":WGEN:MODulation:AM:FREQuency"](#) on page 1049
  - [":WGEN:MODulation:FM:DEVIation"](#) on page 1050
  - [":WGEN:MODulation:FM:FREQuency"](#) on page 1051
  - [":WGEN:MODulation:FSKey:FREQuency"](#) on page 1052
  - [":WGEN:MODulation:FSKey:RATE"](#) on page 1053
  - [":WGEN:MODulation:FUNCTion"](#) on page 1054
  - [":WGEN:MODulation:FUNCTion:RAMP:SYMMetry"](#) on page 1055
  - [":WGEN:MODulation:STATE"](#) on page 1057
  - [":WGEN:MODulation:TYPE"](#) on page 1058



## :WGEN:MODulation:AM:FREQuency

**N** (see [page 1172](#))

**Command Syntax** :WGEN:MODulation:AM:FREQuency <frequency>

<frequency> ::= modulating waveform frequency in Hz in NR3 format

The :WGEN:MODulation:AM:FREQuency command specifies the frequency of the modulating signal.

**Query Syntax** :WGEN:MODulation:AM:FREQuency?

The :WGEN:MODulation:AM:FREQuency? query returns the frequency of the modulating signal.

**Return Format** <frequency><NL>

<frequency> ::= modulating waveform frequency in Hz in NR3 format

- See Also**
- [":WGEN:MODulation:AM:DEPTH"](#) on page 1048
  - [":WGEN:MODulation:FM:DEVIation"](#) on page 1050
  - [":WGEN:MODulation:FM:FREQuency"](#) on page 1051
  - [":WGEN:MODulation:FSKey:FREQuency"](#) on page 1052
  - [":WGEN:MODulation:FSKey:RATE"](#) on page 1053
  - [":WGEN:MODulation:FUNCTion"](#) on page 1054
  - [":WGEN:MODulation:FUNCTion:RAMP:SYMMetry"](#) on page 1055
  - [":WGEN:MODulation:STATe"](#) on page 1057
  - [":WGEN:MODulation:TYPE"](#) on page 1058

## :WGEN:MODulation:FM:DEVIation

**N** (see [page 1172](#))

**Command Syntax** :WGEN:MODulation:FM:DEVIation <frequency>

<frequency> ::= frequency deviation in Hz in NR3 format

The :WGEN:MODulation:FM:DEVIation command specifies the frequency deviation from the original carrier signal frequency.

When the modulating signal is at its maximum amplitude, the output frequency is the carrier signal frequency plus the deviation amount, and when the modulating signal is at its minimum amplitude, the output frequency is the carrier signal frequency minus the deviation amount.

The frequency deviation cannot be greater than the original carrier signal frequency.

Also, the sum of the original carrier signal frequency and the frequency deviation must be less than or equal to the maximum frequency for the selected waveform generator function plus 100 kHz.

**Query Syntax** :WGEN:MODulation:FM:DEVIation?

The :WGEN:MODulation:FM:DEVIation? query returns the frequency deviation setting.

**Return Format** <frequency><NL>

<frequency> ::= frequency deviation in Hz in NR3 format

- See Also**
- [":WGEN:MODulation:AM:DEPT h"](#) on page 1048
  - [":WGEN:MODulation:AM:FREQuency"](#) on page 1049
  - [":WGEN:MODulation:FM:FREQuency"](#) on page 1051
  - [":WGEN:MODulation:FSKey:FREQuency"](#) on page 1052
  - [":WGEN:MODulation:FSKey:RATE"](#) on page 1053
  - [":WGEN:MODulation:FUNCTion"](#) on page 1054
  - [":WGEN:MODulation:FUNCTion:RAMP:SYMMetry"](#) on page 1055
  - [":WGEN:MODulation:STATe"](#) on page 1057
  - [":WGEN:MODulation:TYPE"](#) on page 1058

## :WGEN:MODulation:FM:FREQuency

**N** (see [page 1172](#))

**Command Syntax** :WGEN:MODulation:FM:FREQuency <frequency>

<frequency> ::= modulating waveform frequency in Hz in NR3 format

The :WGEN:MODulation:FM:FREQuency command specifies the frequency of the modulating signal.

**Query Syntax** :WGEN:MODulation:FM:FREQuency?

The :WGEN:MODulation:FM:FREQuency? query returns the frequency of the modulating signal.

**Return Format** <frequency><NL>

<frequency> ::= modulating waveform frequency in Hz in NR3 format

- See Also**
- [":WGEN:MODulation:AM:DEPTH"](#) on page 1048
  - [":WGEN:MODulation:AM:FREQuency"](#) on page 1049
  - [":WGEN:MODulation:FM:DEVIation"](#) on page 1050
  - [":WGEN:MODulation:FSKey:FREQuency"](#) on page 1052
  - [":WGEN:MODulation:FSKey:RATE"](#) on page 1053
  - [":WGEN:MODulation:FUNCTion"](#) on page 1054
  - [":WGEN:MODulation:FUNCTion:RAMP:SYMMetry"](#) on page 1055
  - [":WGEN:MODulation:STATe"](#) on page 1057
  - [":WGEN:MODulation:TYPE"](#) on page 1058

## :WGEN:MODulation:FSKey:FREQuency

**N** (see [page 1172](#))

**Command Syntax** :WGEN:MODulation:FSKey:FREQuency <frequency>

<frequency> ::= hop frequency in Hz in NR3 format

The :WGEN:MODulation:FSKey:FREQuency command specifies the "hop frequency".

The output frequency "shifts" between the original carrier frequency and this "hop frequency".

**Query Syntax** :WGEN:MODulation:FSKey:FREQuency?

The :WGEN:MODulation:FSKey:FREQuency? query returns the "hop frequency" setting.

**Return Format** <frequency><NL>

<frequency> ::= hop frequency in Hz in NR3 format

- See Also**
- [":WGEN:MODulation:AM:DEPT h"](#) on page 1048
  - [":WGEN:MODulation:AM:FREQuency"](#) on page 1049
  - [":WGEN:MODulation:FM:DEViAtion"](#) on page 1050
  - [":WGEN:MODulation:FM:FREQuency"](#) on page 1051
  - [":WGEN:MODulation:FSKey:RATE"](#) on page 1053
  - [":WGEN:MODulation:FUNCTion"](#) on page 1054
  - [":WGEN:MODulation:FUNCTion:RAMP:SYMMetry"](#) on page 1055
  - [":WGEN:MODulation:STATe"](#) on page 1057
  - [":WGEN:MODulation:TYPE"](#) on page 1058

## :WGEN:MODulation:FSKey:RATE

**N** (see [page 1172](#))

**Command Syntax** :WGEN:MODulation:FSKey:RATE <rate>

<rate> ::= FSK modulation rate in Hz in NR3 format

The :WGEN:MODulation:FSKey:RATE command specifies the rate at which the output frequency "shifts".

The FSK rate specifies a digital square wave modulating signal.

**Query Syntax** :WGEN:MODulation:FSKey:RATE?

The :WGEN:MODulation:FSKey:RATE? query returns the FSK rate setting.

**Return Format** <rate><NL>

<rate> ::= FSK modulation rate in Hz in NR3 format

- See Also**
- [":WGEN:MODulation:AM:DEPTH"](#) on page 1048
  - [":WGEN:MODulation:AM:FREQUENCY"](#) on page 1049
  - [":WGEN:MODulation:FM:DEVIATION"](#) on page 1050
  - [":WGEN:MODulation:FM:FREQUENCY"](#) on page 1051
  - [":WGEN:MODulation:FSKey:FREQUENCY"](#) on page 1052
  - [":WGEN:MODulation:FUNCTION"](#) on page 1054
  - [":WGEN:MODulation:FUNCTION:RAMP:SYMMETRY"](#) on page 1055
  - [":WGEN:MODulation:STATE"](#) on page 1057
  - [":WGEN:MODulation:TYPE"](#) on page 1058

## :WGEN:MODulation:FUNcTion

**N** (see [page 1172](#))

**Command Syntax** :WGEN:MODulation:FUNcTion <shape>

<shape> ::= {SINusoid | SQUare| RAMP}

The :WGEN:MODulation:FUNcTion command specifies the shape of the modulating signal.

When the RAMP shape is selected, you can specify the amount of time per cycle that the ramp waveform is rising with the :WGEN:MODulation:FUNcTion:RAMP:SYMMetry command.

This command applies to AM and FM modulation. (The FSK modulation signal is a square wave shape.)

**Query Syntax** :WGEN:MODulation:FUNcTion?

The :WGEN:MODulation:FUNcTion? query returns the specified modulating signal shape.

**Return Format** <shape><NL>

<shape> ::= {SIN | SQU | RAMP}

- See Also**
- [":WGEN:MODulation:AM:DEPT h"](#) on page 1048
  - [":WGEN:MODulation:AM:FREQuency"](#) on page 1049
  - [":WGEN:MODulation:FM:DEViAtion"](#) on page 1050
  - [":WGEN:MODulation:FM:FREQuency"](#) on page 1051
  - [":WGEN:MODulation:FSKey:FREQuency"](#) on page 1052
  - [":WGEN:MODulation:FSKey:RATE"](#) on page 1053
  - [":WGEN:MODulation:FUNcTion:RAMP:SYMMetry"](#) on page 1055
  - [":WGEN:MODulation:STATe"](#) on page 1057
  - [":WGEN:MODulation:TYPE"](#) on page 1058

## :WGEN:MODulation:FUNction:RAMP:SYMMetry

**N** (see [page 1172](#))

**Command Syntax** :WGEN:MODulation:FUNction:RAMP:SYMMetry <percent>

<percent> ::= symmetry percentage from 0% to 100% in NR1 format

The :WGEN:MODulation:FUNction:RAMP:SYMMetry command specifies the amount of time per cycle that the ramp waveform is rising. The ramp modulating waveform shape is specified with the :WGEN:MODulation:FUNction command.

**Query Syntax** :WGEN:MODulation:FUNction:RAMP:SYMMetry?

The :WGEN:MODulation:FUNction:RAMP:SYMMetry? query returns ramp symmetry percentage setting.

**Return Format** <percent><NL>

<percent> ::= symmetry percentage from 0% to 100% in NR1 format

- See Also**
- [":WGEN:MODulation:AM:DEPTH"](#) on page 1048
  - [":WGEN:MODulation:AM:FREQuency"](#) on page 1049
  - [":WGEN:MODulation:FM:DEViation"](#) on page 1050
  - [":WGEN:MODulation:FM:FREQuency"](#) on page 1051
  - [":WGEN:MODulation:FSKey:FREQuency"](#) on page 1052
  - [":WGEN:MODulation:FSKey:RATE"](#) on page 1053
  - [":WGEN:MODulation:FUNction"](#) on page 1054
  - [":WGEN:MODulation:STATE"](#) on page 1057
  - [":WGEN:MODulation:TYPE"](#) on page 1058

**:WGEN:MODulation:NOISe**

**N** (see [page 1172](#))

**Command Syntax** :WGEN:MODulation:NOISe <percent>

<percent> ::= 0 to 100

The :WGEN:MODulation:NOISe command adds noise to the currently selected signal. The sum of the amplitude between the original signal and injected noise is limited to the regular amplitude limit (for example, 5 Vpp in 1 MOhm), so the range for <percent> varies according to current amplitude.

Note that adding noise affects edge triggering on the waveform generator source as well as the waveform generator sync pulse output signal (which can be sent to TRIG OUT). This is because the trigger comparator is located after the noise source.

**Query Syntax** :WGEN:MODulation:NOISe?

The :WGEN:MODulation:NOISe query returns the percent of added noise.

**Return Format** <percent><NL>

<percent> ::= 0 to 100

**See Also** • [":WGEN:FUNCTION"](#) on page 1041



## :WGEN:MODulation:STATe

**N** (see [page 1172](#))

**Command Syntax** :WGEN:MODulation:STATe <setting>

<setting> ::= {{OFF | 0} | {ON | 1}}

The :WGEN:MODulation:STATe command enables or disables modulated waveform generator output.

You can enable modulation for all waveform generator function types except pulse, DC, and noise.

**Query Syntax** :WGEN:MODulation:STATe?

The :WGEN:MODulation:STATe? query returns whether the modulated waveform generator output is enabled or disabled.

**Return Format** <setting><NL>

<setting> ::= {0 | 1}

- See Also**
- [":WGEN:MODulation:AM:DEPTH"](#) on page 1048
  - [":WGEN:MODulation:AM:FREQuency"](#) on page 1049
  - [":WGEN:MODulation:FM:DEVIation"](#) on page 1050
  - [":WGEN:MODulation:FM:FREQuency"](#) on page 1051
  - [":WGEN:MODulation:FSKey:FREQuency"](#) on page 1052
  - [":WGEN:MODulation:FSKey:RATE"](#) on page 1053
  - [":WGEN:MODulation:FUNCTion"](#) on page 1054
  - [":WGEN:MODulation:FUNCTion:RAMP:SYMMetry"](#) on page 1055
  - [":WGEN:MODulation:TYPE"](#) on page 1058

## :WGEN:MODulation:TYPE

**N** (see [page 1172](#))

**Command Syntax** :WGEN:MODulation:TYPE <type>

<type> ::= {AM | FM | FSK}

The :WGEN:MODulation:TYPE command selects the modulation type:

- AM (amplitude modulation) – the amplitude of the original carrier signal is modified according to the amplitude of the modulating signal.

Use the :WGEN:MODulation:AM:FREQUENCY command to set the modulating signal frequency.

Use the :WGEN:MODulation:AM:DEPTH command to specify the amount of amplitude modulation.

- FM (frequency modulation) – the frequency of the original carrier signal is modified according to the amplitude of the modulating signal.

Use the :WGEN:MODulation:FM:FREQUENCY command to set the modulating signal frequency.

Use the :WGEN:MODulation:FM:DEVIATION command to specify the frequency deviation from the original carrier signal frequency.

- FSK (frequency-shift keying modulation) – the output frequency "shifts" between the original carrier frequency and a "hop frequency" at the specified FSK rate.

The FSK rate specifies a digital square wave modulating signal.

Use the :WGEN:MODulation:FSKey:FREQUENCY command to specify the "hop frequency".

Use the :WGEN:MODulation:FSKey:RATE command to specify the rate at which the output frequency "shifts".

**Query Syntax** :WGEN:MODulation:TYPE?

The :WGEN:MODulation:TYPE? query returns the selected modulation type.

**Return Format** <type><NL>

<type> ::= {AM | FM | FSK}

- See Also**
- [":WGEN:MODulation:AM:DEPTH"](#) on page 1048
  - [":WGEN:MODulation:AM:FREQUENCY"](#) on page 1049
  - [":WGEN:MODulation:FM:DEVIATION"](#) on page 1050
  - [":WGEN:MODulation:FM:FREQUENCY"](#) on page 1051
  - [":WGEN:MODulation:FSKey:FREQUENCY"](#) on page 1052

- `":WGEN:MODulation:FSKey:RATE"` on page 1053
- `":WGEN:MODulation:FUNCTion"` on page 1054
- `":WGEN:MODulation:FUNCTion:RAMP:SYMMetry"` on page 1055
- `":WGEN:MODulation:STATe"` on page 1057

**:WGEN:OUTPut**

**N** (see [page 1172](#))

**Command Syntax** :WGEN:OUTPut <on\_off>

<on\_off> ::= {{1 | ON} | {0 | OFF}}

The :WGEN:OUTPut command specifies whether the waveform generator signal output is ON (1) or OFF (0).

**Query Syntax** :WGEN:OUTPut?

The :WGEN:OUTPut? query returns the current state of the waveform generator output setting.

**Return Format** <on\_off><NL>

<on\_off> ::= {1 | 0}

**See Also** • ["Introduction to :WGEN Commands"](#) on page 1029

## :WGEN:OUTPut:LOAD

**N** (see [page 1172](#))

**Command Syntax** :WGEN:OUTPut:LOAD <impedance>

<impedance> ::= {ONEMeg | FIFTy}

The :WGEN:OUTPut:LOAD command selects the expected output load impedance.

The output impedance of the Gen Out BNC is fixed at 50 ohms. However, the output load selection lets the waveform generator display the correct amplitude and offset levels for the expected output load.

If the actual load impedance is different than the selected value, the displayed amplitude and offset levels will be incorrect.

**Query Syntax** :WGEN:OUTPut:LOAD?

The :WGEN:OUTPut:LOAD? query returns the current expected output load impedance.

**Return Format** <impedance><NL>

<impedance> ::= {ONEM | FIFT}

**See Also** • ["Introduction to :WGEN Commands"](#) on page 1029

## :WGEN:PERiod

**N** (see [page 1172](#))

**Command Syntax** :WGEN:PERiod <period>

<period> ::= period in seconds in NR3 format

For all waveforms except Noise and DC, the :WGEN:PERiod command specifies the period of the waveform.

You can also specify the period indirectly using the :WGEN:FREQuency command.

**Query Syntax** :WGEN:PERiod?

The :WGEN:PERiod? query returns the currently set waveform generator period.

**Return Format** <period><NL>

<period> ::= period in seconds in NR3 format

- See Also**
- ["Introduction to :WGEN Commands"](#) on page 1029
  - [":WGEN:FUNCTion"](#) on page 1041
  - [":WGEN:FREQuency"](#) on page 1040

## :WGEN:RST

**N** (see [page 1172](#))

**Command Syntax** :WGEN:RST

The :WGEN:RST command restores the waveform generator factory default settings (1 kHz sine wave, 500 mVpp, 0 V offset).

- See Also**
- ["Introduction to :WGEN Commands"](#) on page 1029
  - [":WGEN:FUNCTION"](#) on page 1041
  - [":WGEN:FREQUENCY"](#) on page 1040

## :WGEN:VOLTage

**N** (see [page 1172](#))

**Command Syntax** :WGEN:VOLTage <amplitude>  
<amplitude> ::= amplitude in volts in NR3 format

For all waveforms except DC, the :WGEN:VOLTage command specifies the waveform's amplitude. Use the :WGEN:VOLTage:OFFSet command to specify the offset voltage or DC level.

You can also specify the amplitude and offset indirectly using the :WGEN:VOLTage:HIGH and :WGEN:VOLTage:LOW commands. For example, an amplitude of 5 V and an offset of 1 V is the same as a high-level voltage of 4 V and a low-level voltage of -1 V.

**Query Syntax** :WGEN:VOLTage?

The :WGEN:VOLTage? query returns the currently specified waveform amplitude.

**Return Format** <amplitude><NL>  
<amplitude> ::= amplitude in volts in NR3 format

- See Also**
- ["Introduction to :WGEN Commands"](#) on page 1029
  - [":WGEN:FUNCTION"](#) on page 1041
  - [":WGEN:VOLTage:OFFSet"](#) on page 1067
  - [":WGEN:VOLTage:HIGH"](#) on page 1065
  - [":WGEN:VOLTage:LOW"](#) on page 1066



## :WGEN:VOLTage:HIGH

**N** (see [page 1172](#))

**Command Syntax** :WGEN:VOLTage:HIGH <high>

<high> ::= high-level voltage in volts, in NR3 format

For all waveforms except DC, the :WGEN:VOLTage:HIGH command specifies the waveform's high-level voltage. Use the :WGEN:VOLTage:LOW command to specify the low-level voltage.

You can also specify the high-level and low-level voltages indirectly using the :WGEN:VOLTage and :WGEN:VOLTage:OFFSet commands. For example, a high-level voltage of 4 V and a low-level voltage of -1 V is the same as an amplitude of 5 V and an offset of 1 V.

**Query Syntax** :WGEN:VOLTage:HIGH?

The :WGEN:VOLTage:HIGH? query returns the currently specified waveform high-level voltage.

**Return Format** <high><NL>

<high> ::= high-level voltage in volts, in NR3 format

- See Also**
- ["Introduction to :WGEN Commands"](#) on page 1029
  - [":WGEN:FUNCTION"](#) on page 1041
  - [":WGEN:VOLTage:LOW"](#) on page 1066
  - [":WGEN:VOLTage"](#) on page 1064
  - [":WGEN:VOLTage:OFFSet"](#) on page 1067

**:WGEN:VOLTage:LOW**

**N** (see [page 1172](#))

**Command Syntax** :WGEN:VOLTage:LOW <low>

<low> ::= low-level voltage in volts, in NR3 format

For all waveforms except DC, the :WGEN:VOLTage:LOW command specifies the waveform's low-level voltage. Use the :WGEN:VOLTage:HIGH command to specify the high-level voltage.

You can also specify the high-level and low-level voltages indirectly using the :WGEN:VOLTage and :WGEN:VOLTage:OFFSet commands. For example, a high-level voltage of 4 V and a low-level voltage of -1 V is the same as an amplitude of 5 V and an offset of 1 V.

**Query Syntax** :WGEN:VOLTage:LOW?

The :WGEN:VOLTage:LOW? query returns the currently specified waveform low-level voltage.

**Return Format** <low><NL>

<low> ::= low-level voltage in volts, in NR3 format

- See Also**
- ["Introduction to :WGEN Commands"](#) on page 1029
  - [":WGEN:FUNCTION"](#) on page 1041
  - [":WGEN:VOLTage:LOW"](#) on page 1066
  - [":WGEN:VOLTage"](#) on page 1064
  - [":WGEN:VOLTage:OFFSet"](#) on page 1067

## :WGEN:VOLTage:OFFSet

**N** (see [page 1172](#))

**Command Syntax** :WGEN:VOLTage:OFFSet <offset>

<offset> ::= offset in volts in NR3 format

The :WGEN:VOLTage:OFFSet command specifies the waveform's offset voltage or the DC level. Use the :WGEN:VOLTage command to specify the amplitude.

You can also specify the amplitude and offset indirectly using the :WGEN:VOLTage:HIGH and :WGEN:VOLTage:LOW commands. For example, an amplitude of 5 V and an offset of 1 V is the same as a high-level voltage of 4 V and a low-level voltage of -1 V.

**Query Syntax** :WGEN:VOLTage:OFFSet?

The :WGEN:VOLTage:OFFSet? query returns the currently specified waveform offset voltage.

**Return Format** <offset><NL>

<offset> ::= offset in volts in NR3 format

- See Also**
- ["Introduction to :WGEN Commands"](#) on page 1029
  - [":WGEN:FUNCTION"](#) on page 1041
  - [":WGEN:VOLTage"](#) on page 1064
  - [":WGEN:VOLTage:HIGH"](#) on page 1065
  - [":WGEN:VOLTage:LOW"](#) on page 1066



## 34 :WMEMemory<r> Commands

Control reference waveforms.

**Table 141** :WMEMemory<r> Commands Summary

Command	Query	Options and Query Returns
:WMEMemory<r>:CLear (see <a href="#">page 1071</a> )	n/a	<r> ::= 1-2 in NR1 format
:WMEMemory<r>:DISPlay { {0   OFF}   {1   ON} } (see <a href="#">page 1072</a> )	:WMEMemory<r>:DISPlay? (see <a href="#">page 1072</a> )	<r> ::= 1-2 in NR1 format { 0   1 }
:WMEMemory<r>:LABel <string> (see <a href="#">page 1073</a> )	:WMEMemory<r>:LABel? (see <a href="#">page 1073</a> )	<r> ::= 1-2 in NR1 format <string> ::= any series of 10 or less ASCII characters enclosed in quotation marks
:WMEMemory<r>:SAVE <source> (see <a href="#">page 1074</a> )	n/a	<r> ::= 1-2 in NR1 format <source> ::= {CHANnel<n>   FUNction   MATH} <n> ::= 1 to (# analog channels) in NR1 format NOTE: Only ADD or SUBtract math operations can be saved as reference waveforms.
:WMEMemory<r>:SKEW <skew> (see <a href="#">page 1075</a> )	:WMEMemory<r>:SKEW? (see <a href="#">page 1075</a> )	<r> ::= 1-2 in NR1 format <skew> ::= time in seconds in NR3 format
:WMEMemory<r>:YOFFset <offset>[suffix] (see <a href="#">page 1076</a> )	:WMEMemory<r>:YOFFset? (see <a href="#">page 1076</a> )	<r> ::= 1-2 in NR1 format <offset> ::= vertical offset value in NR3 format [suffix] ::= {V   mV}

**Table 141** :WMEemory<r> Commands Summary (continued)

Command	Query	Options and Query Returns
:WMEemory<r>:YRANge <range>[suffix] (see page 1077)	:WMEemory<r>:YRANge? (see page 1077)	<r> ::= 1-2 in NR1 format <range> ::= vertical full-scale range value in NR3 format [suffix] ::= {V   mV}
:WMEemory<r>:YSCale <scale>[suffix] (see page 1078)	:WMEemory<r>:YSCale? (see page 1078)	<r> ::= 1-2 in NR1 format <scale> ::= vertical units per division value in NR3 format [suffix] ::= {V   mV}

## :WMEemory<r>:CLEar

**N** (see [page 1172](#))

**Command Syntax** :WMEemory<r>:CLEar

<r> ::= 1-2 in NR1 format

The :WMEemory<r>:CLEar command clears the specified reference waveform location.

- See Also**
- [Chapter 34](#), “:WMEemory<r> Commands,” starting on page 1069
  - [":WMEemory<r>:SAVE"](#) on page 1074
  - [":WMEemory<r>:DISPlay"](#) on page 1072

## :WMEemory&lt;r&gt;:DISPlay

**N** (see [page 1172](#))

**Command Syntax** :WMEemory<r>:DISPlay <on\_off>

<r> ::= 1-2 in NR1 format

<on\_off> ::= {{1 | ON} | {0 | OFF}}

The :WMEemory<r>:DISPlay command turns the display of the specified reference waveform on or off.

There are two reference waveform locations, but only one reference waveform can be displayed at a time. That means, if :WMEemory1:DISPlay is ON, sending the :WMEemory2:DISPlay ON command will automatically set :WMEemory1:DISPlay OFF.

**Query Syntax** :WMEemory<r>:DISPlay?

The :WMEemory<r>:DISPlay? query returns the current display setting for the reference waveform.

**Return Format** <on\_off><NL>

<on\_off> ::= {1 | 0}

- See Also**
- [Chapter 34](#), “:WMEemory<r> Commands,” starting on page 1069
  - [":WMEemory<r>:CLEar"](#) on page 1071
  - [":WMEemory<r>:LABel"](#) on page 1073



## :WMEemory&lt;r&gt;:LABel

**N** (see [page 1172](#))

**Command Syntax** :WMEemory<r>:LABel <string>  
 <r> ::= 1-2 in NR1 format  
 <string> ::= quoted ASCII string

**NOTE**

Label strings are 10 characters or less, and may contain any commonly used ASCII characters. Labels with more than 10 characters are truncated to 10 characters. Lower case characters are converted to upper case.

The :WMEemory<r>:LABel command sets the reference waveform label to the string that follows.

Setting a label for a reference waveform also adds the name to the label list in non-volatile memory (replacing the oldest label in the list).

**Query Syntax** :WMEemory<r>:LABel?

The :WMEemory<r>:LABel? query returns the label associated with a particular reference waveform.

**Return Format** <string><NL>  
 <string> ::= quoted ASCII string

**See Also**

- [Chapter 34](#), “:WMEemory<r> Commands,” starting on page 1069
- [":WMEemory<r>:DISPlay"](#) on page 1072

## :WMEemory&lt;r&gt;:SAVE

**N** (see [page 1172](#))

**Command Syntax** :WMEemory<r>:SAVE <source>  
 <r> ::= 1-2 in NR1 format  
 <source> ::= {CHANnel<n> | FUNCTION | MATH}  
 <n> ::= 1 to (# analog channels) in NR1 format

The :WMEemory<r>:SAVE command copies the analog channel or math function waveform to the specified reference waveform location.

**NOTE**

Only ADD or SUBtract math operations can be saved as reference waveforms.

**NOTE**

:WMEemory<r>:SAVE is an overlapped command (see "[Sequential vs. Overlapped Commands](#)" on page 1180).

- See Also**
- [Chapter 34](#), ":WMEemory<r> Commands," starting on page 1069
  - "[:WMEemory<r>:DISPlay](#)" on page 1072

## :WMEemory&lt;r&gt;:SKEW

**N** (see [page 1172](#))

**Command Syntax** :WMEemory<r>:SKEW <skew>

<r> ::= 1-2 in NR1 format

<skew> ::= time in seconds in NR3 format

The :WMEemory<r>:SKEW command sets the skew factor for the specified reference waveform.

**Query Syntax** :WMEemory<r>:SKEW?

The :WMEemory<r>:SKEW? query returns the current skew setting for the selected reference waveform.

**Return Format** <skew><NL>

<skew> ::= time in seconds in NR3 format

- See Also**
- [Chapter 34](#), “:WMEemory<r> Commands,” starting on page 1069
  - [":WMEemory<r>:DISPlay"](#) on page 1072
  - [":WMEemory<r>:YOFFset"](#) on page 1076
  - [":WMEemory<r>:YRANge"](#) on page 1077
  - [":WMEemory<r>:YSCale"](#) on page 1078

## :WMemory&lt;r&gt;:YOFFset

**N** (see [page 1172](#))

**Command Syntax** :WMemory<r>:YOFFset <offset> [<suffix>]

<r> ::= 1-2 in NR1 format

<offset> ::= vertical offset value in NR3 format

<suffix> ::= {V | mV}

The :WMemory<r>:YOFFset command sets the value that is represented at center screen for the selected reference waveform.

The range of legal values varies with the value set by the :WMemory<r>:YRANge or :WMemory<r>:YSCale commands. If you set the offset to a value outside of the legal range, the offset value is automatically set to the nearest legal value. Legal values are affected by the probe attenuation setting.

**Query Syntax** :WMemory<r>:YOFFset?

The :WMemory<r>:YOFFset? query returns the current offset value for the selected reference waveform.

**Return Format** <offset><NL>

<offset> ::= vertical offset value in NR3 format

- See Also**
- [Chapter 34](#), “:WMemory<r> Commands,” starting on page 1069
  - [":WMemory<r>:DISPlay"](#) on page 1072
  - [":WMemory<r>:YRANge"](#) on page 1077
  - [":WMemory<r>:YSCale"](#) on page 1078
  - [":WMemory<r>:SKEW"](#) on page 1075

## :WMEemory&lt;r&gt;:YRANge

**N** (see [page 1172](#))

**Command Syntax** :WMEemory<r>:YRANge <range>[<suffix>]

<r> ::= 1-2 in NR1 format

<range> ::= vertical full-scale range value in NR3 format

<suffix> ::= {V | mV}

The :WMEemory<r>:YRANge command defines the full-scale vertical axis of the selected reference waveform.

Legal values for the range are copied from the original source waveform (that is, the analog channel or math function waveform that was originally saved as a reference waveform).

**Query Syntax** :WMEemory<r>:YRANge?

The :WMEemory<r>:YRANge? query returns the current full-scale range setting for the specified reference waveform.

**Return Format** <range><NL>

<range> ::= vertical full-scale range value in NR3 format

- See Also**
- [Chapter 34](#), “:WMEemory<r> Commands,” starting on page 1069
  - [":WMEemory<r>:DISPlay"](#) on page 1072
  - [":WMEemory<r>:YOFFset"](#) on page 1076
  - [":WMEemory<r>:SKEW"](#) on page 1075
  - [":WMEemory<r>:YSCale"](#) on page 1078

## :WMEemory&lt;r&gt;:YScale

**N** (see [page 1172](#))

**Command Syntax** :WMEemory<r>:YScale <scale>[<suffix>]

<r> ::= 1-2 in NR1 format

<scale> ::= vertical units per division in NR3 format

<suffix> ::= {V | mV}

The :WMEemory<r>:YScale command sets the vertical scale, or units per division, of the selected reference waveform.

Legal values for the scale are copied from the original source waveform (that is, the analog channel or math function waveform that was originally saved as a reference waveform).

**Query Syntax** :WMEemory<r>:YScale?

The :WMEemory<r>:YScale? query returns the current scale setting for the specified reference waveform.

**Return Format** <scale><NL>

<scale> ::= vertical units per division in NR3 format

- See Also**
- [Chapter 34](#), “:WMEemory<r> Commands,” starting on page 1069
  - [":WMEemory<r>:DISPlay"](#) on page 1072
  - [":WMEemory<r>:YOFFset"](#) on page 1076
  - [":WMEemory<r>:YRANge"](#) on page 1077
  - [":WMEemory<r>:SKEW"](#) on page 1075

## 35 Obsolete and Discontinued Commands

Obsolete commands are older forms of commands that are provided to reduce customer rework for existing systems and programs (see "**Obsolete Commands**" on page 1172).

Obsolete Command	Current Command Equivalent	Behavior Differences
ANALog<n>:BWLimit	:CHANnel<n>:BWLimit (see <a href="#">page 277</a> )	
ANALog<n>:COUPling	:CHANnel<n>:COUPling (see <a href="#">page 278</a> )	
ANALog<n>:INVert	:CHANnel<n>:INVert (see <a href="#">page 281</a> )	
ANALog<n>:LABel	:CHANnel<n>:LABel (see <a href="#">page 282</a> )	
ANALog<n>:OFFSet	:CHANnel<n>:OFFSet (see <a href="#">page 283</a> )	
ANALog<n>:PROBe	:CHANnel<n>:PROBe (see <a href="#">page 284</a> )	
ANALog<n>:PMODE	none	
ANALog<n>:RANGe	:CHANnel<n>:RANGe (see <a href="#">page 291</a> )	
:CHANnel:ACTivity (see <a href="#">page 1085</a> )	:ACTivity (see <a href="#">page 203</a> )	
:CHANnel:LABel (see <a href="#">page 1086</a> )	:CHANnel<n>:LABel (see <a href="#">page 282</a> ) or :DIGital<n>:LABel (see <a href="#">page 306</a> )	use CHANnel<n>:LABel for analog channels and use DIGital<n>:LABel for digital channels

Obsolete Command	Current Command Equivalent	Behavior Differences
:CHANnel:THReshold (see <a href="#">page 1087</a> )	:POD<n>:THReshold (see <a href="#">page 551</a> ) or :DIGital<d>:THReshold (see <a href="#">page 309</a> )	
:CHANnel2:SKEW (see <a href="#">page 1088</a> )	:CHANnel<n>:PROBe:SKEW (see <a href="#">page 288</a> )	
:CHANnel<n>:INPut (see <a href="#">page 1089</a> )	:CHANnel<n>:IMPedance (see <a href="#">page 280</a> )	
:CHANnel<n>:PMODE (see <a href="#">page 1090</a> )	none	
:DISPlay:CONNect (see <a href="#">page 1091</a> )	:DISPlay:VECTors (see <a href="#">page 325</a> )	
:DISPlay:ORDer (see <a href="#">page 1092</a> )	none	
:ERASe (see <a href="#">page 1093</a> )	:DISPlay:CLEar (see <a href="#">page 317</a> )	
:EXTernal:PMODE (see <a href="#">page 1094</a> )	none	
FUNcTION1, FUNcTION2	:FUNcTION Commands (see <a href="#">page 341</a> )	ADD not included
:FUNcTION:SOURce (see <a href="#">page 1095</a> )	:FUNcTION:SOURce1 (see <a href="#">page 370</a> )	Obsolete command has ADD, SUBTRact, and MULTiPLY parameters; current command has GOFT parameter.
:FUNcTION:VIEW (see <a href="#">page 1096</a> )	:FUNcTION:DISPlay (see <a href="#">page 351</a> )	
:HARDcopy:DESTination (see <a href="#">page 1097</a> )	:HARDcopy:FILEname (see <a href="#">page 1098</a> )	
:HARDcopy:FILEname (see <a href="#">page 1098</a> )	:RECall:FILEname (see <a href="#">page 624</a> ) :SAVE:FILEname (see <a href="#">page 624</a> )	
:HARDcopy:GRAYscale (see <a href="#">page 1099</a> )	:HARDcopy:PALette (see <a href="#">page 389</a> )	
:HARDcopy:IGColors (see <a href="#">page 1100</a> )	:HARDcopy:INKSaver (see <a href="#">page 381</a> )	
:HARDcopy:PDRiver (see <a href="#">page 1101</a> )	:HARDcopy:APRinter (see <a href="#">page 378</a> )	
:MEASure:LOWer (see <a href="#">page 1102</a> )	:MEASure:DEFine:THResholds (see <a href="#">page 436</a> )	MEASure:DEFine:THResholds can define absolute values or percentage



Obsolete Command	Current Command Equivalent	Behavior Differences
:MEASure:SCRatch (see <a href="#">page 1103</a> )	:MEASure:CLEar (see <a href="#">page 434</a> )	
:MEASure:TDELta (see <a href="#">page 1104</a> )	:MARKer:XDELta (see <a href="#">page 404</a> )	
:MEASure:THResholds (see <a href="#">page 1105</a> )	:MEASure:DEFine:THResholds (see <a href="#">page 436</a> )	MEASure:DEFine:THResholds can define absolute values or percentage
:MEASure:TMAX (see <a href="#">page 1106</a> )	:MEASure:XMAX (see <a href="#">page 491</a> )	
:MEASure:TMIN (see <a href="#">page 1107</a> )	:MEASure:XMIN (see <a href="#">page 492</a> )	
:MEASure:TSTArt (see <a href="#">page 1108</a> )	:MARKer:X1Position (see <a href="#">page 400</a> )	
:MEASure:TSTOp (see <a href="#">page 1109</a> )	:MARKer:X2Position (see <a href="#">page 402</a> )	
:MEASure:TVOlt (see <a href="#">page 1110</a> )	:MEASure:TVALue (see <a href="#">page 478</a> )	TVALue measures additional values such as db, Vs, etc.
:MEASure:UPPer (see <a href="#">page 1111</a> )	:MEASure:DEFine:THResholds (see <a href="#">page 436</a> )	MEASure:DEFine:THResholds can define absolute values or percentage
:MEASure:VDELta (see <a href="#">page 1112</a> )	:MARKer:YDELta (see <a href="#">page 411</a> )	
:MEASure:VSTArt (see <a href="#">page 1113</a> )	:MARKer:Y1Position (see <a href="#">page 407</a> )	
:MEASure:VSTOp (see <a href="#">page 1114</a> )	:MARKer:Y2Position (see <a href="#">page 409</a> )	
:MTESt:AMASK:{SAVE   STORe} (see <a href="#">page 1115</a> )	:SAVE:MASK[:STArt] (see <a href="#">page 640</a> )	
:MTESt:AVERAge (see <a href="#">page 1116</a> )	:ACQUIRE:TYPE AVERAge (see <a href="#">page 251</a> )	
:MTESt:AVERAge:COUNT (see <a href="#">page 1117</a> )	:ACQUIRE:COUNT (see <a href="#">page 242</a> )	
:MTESt:LOAD (see <a href="#">page 1118</a> )	:RECall:MASK[:STArt] (see <a href="#">page 625</a> )	
:MTESt:RUMode (see <a href="#">page 1119</a> )	:MTESt:RMODE (see <a href="#">page 532</a> )	
:MTESt:RUMode:SOFailure (see <a href="#">page 1120</a> )	:MTESt:RMODE:FACTion:STOP (see <a href="#">page 536</a> )	

Obsolete Command	Current Command Equivalent	Behavior Differences
:MTEST:{START   STOP} (see page 1121)	:RUN (see page 232) or :STOP (see page 236)	
:MTEST:TRIGGER:SOURCE (see page 1122)	:TRIGGER Commands (see page 911)	There are various commands for setting the source with different types of triggers.
:PRINT? (see page 1123)	:DISPLAY:DATA? (see page 318)	
:SAVE:IMAGE:AREA (see page 1125)	none	
:TIMEbase:DElay (see page 1128)	:TIMEbase:POSition (see page 902) or :TIMEbase:WINDow:POSition (see page 907)	TIMEbase:POSition is position value of main time base; TIMEbase:WINDow:POSition is position value of zoomed (delayed) time base window.
:SBUS<n>:LIN:SIGNal:DEFinitio n (see page 1126)	none	
:SBUS<n>:SPI:SOURce:DATA (see page 1127)	:SBUS<n>:SPI:SOURce:MOSI (see page 773)	
:TRIGGER:THReshold (see page 1129)	:POD<n>:THReshold (see page 551) or :DIGital<d>:THReshold (see page 309)	
:TRIGGER:TV:TVMode (see page 1130)	:TRIGGER:TV:MODE (see page 978)	

### Discontinued Commands

Discontinued commands are commands that were used by previous oscilloscopes, but are not supported by the InfiniiVision 3000 X-Series oscilloscopes. Listed below are the Discontinued commands and the nearest equivalent command available (if any).

Discontinued Command	Current Command Equivalent	Comments
ASTore	:DISPLAY:PERSistence INFinite (see page 323)	
CHANnel:MATH	:FUNCTION:OPERation (see page 365)	ADD not included

Discontinued Command	Current Command Equivalent	Comments
CHANnel<n>:PROTECT	:CHANnel<n>:PROTECTION (see <a href="#">page 290</a> )	Previous form of this command was used to enable/disable 50Ω protection. The new command resets a tripped protect and the query returns the status of TRIPed or NORMal.
DISPlay:INVerse	none	
DISPlay:COLumn	none	
DISPlay:FREeze	none	
DISPlay:GRID	none	
DISPlay:LINE	none	
DISPlay:PIXel	none	
DISPlay:POSition	none	
DISPlay:ROW	none	
DISPlay:TEXT	none	
FUNction:MOVE	none	
FUNction:PEAKs	none	
HARDcopy:ADDResS	none	Only parallel printer port is supported. GPIB printing not supported
MASK	none	All commands discontinued, feature not available
:POWer:SIGNals:CYCLes	:POWer:SIGNals:CYCLes:HARMonics (see <a href="#">page 590</a> ) :POWer:SIGNals:CYCLes:QUALity (see <a href="#">page 591</a> )	This command was separated into several other commands for specific types of power analysis.
:POWer:SIGNals:DURation	:POWer:SIGNals:DURation:EFFiciency (see <a href="#">page 592</a> ) :POWer:SIGNals:DURation:MODulation (see <a href="#">page 593</a> ) :POWer:SIGNals:DURation:ONOff:OFF (see <a href="#">page 594</a> ) :POWer:SIGNals:DURation:ONOff:ON (see <a href="#">page 595</a> ) :POWer:SIGNals:DURation:RIPlE (see <a href="#">page 596</a> ) :POWer:SIGNals:DURation:TRANSient (see <a href="#">page 597</a> )	This command was separated into several other commands for specific types of power analysis.

Discontinued Command	Current Command Equivalent	Comments
:POWer:SIGNals:VMAXimum	:POWer:SIGNals:VMAXimum:IN Rush (see <a href="#">page 600</a> ) :POWer:SIGNals:VMAXimum:ONOff:OFF (see <a href="#">page 601</a> ) :POWer:SIGNals:VMAXimum:ONOff:ON (see <a href="#">page 602</a> )	This command was separated into several other commands for specific types of power analysis.
:POWer:SIGNals:VSTeady	:POWer:SIGNals:VSTeady:ONOff:OFF (see <a href="#">page 603</a> ) :POWer:SIGNals:VSTeady:ONOff:ON (see <a href="#">page 604</a> ) :POWer:SIGNals:VSTeady:TRANSient (see <a href="#">page 605</a> )	This command was separated into several other commands for specific types of power analysis.
:POWer:SLEW:VALue	none	Slew rate values are now displayed using max and min measurements of a differentiate math function signal.
SYSTem:KEY	none	
TEST:ALL	*TST (Self Test) (see <a href="#">page 196</a> )	
TRACE subsystem	none	All commands discontinued, feature not available
TRIGger:ADVanced subsystem		Use new GLITCh, PATtern, or TV trigger modes
TRIGger:TV:FIELD	:TRIGger:TV:MODE (see <a href="#">page 978</a> )	
TRIGger:TV:TVHFrej		
TRIGger:TV:VIR	none	
VAUToscale	none	

### Discontinued Parameters

Some previous oscilloscope queries returned control setting values of OFF and ON. The InfiniiVision 3000 X-Series oscilloscopes only return the enumerated values 0 (for off) and 1 (for on).

## :CHANnel:ACTivity

**O** (see [page 1172](#))

**Command Syntax** :CHANnel:ACTivity

The :CHANnel:ACTivity command clears the cumulative edge variables for the next activity query.

**NOTE**

The :CHANnel:ACTivity command is an obsolete command provided for compatibility to previous oscilloscopes. Use the :ACTivity command (see [page 203](#)) instead.

**Query Syntax** :CHANnel:ACTivity?

The :CHANnel:ACTivity? query returns the active edges since the last clear, and returns the current logic levels.

**Return Format** <edges>, <levels><NL>

<edges> ::= presence of edges (32-bit integer in NR1 format).

<levels> ::= logical highs or lows (32-bit integer in NR1 format).

**NOTE**

A bit equal to zero indicates that no edges were detected at the specified threshold since the last clear on that channel. Edges may have occurred that were not detected because of the threshold setting.

A bit equal to one indicates that edges have been detected at the specified threshold since the last clear on that channel.

## :CHANnel:LABel

**O** (see [page 1172](#))

**Command Syntax** :CHANnel:LABel <source\_text><string>  
 <source\_text> ::= {CHANnel1 | CHANnel2 | DIGital<d>}  
 <d> ::= 0 to (# digital channels - 1) in NR1 format  
 <string> ::= quoted ASCII string

The :CHANnel:LABel command sets the source text to the string that follows. Setting a channel will also result in the name being added to the label list.

### NOTE

The :CHANnel:LABel command is an obsolete command provided for compatibility to previous oscilloscopes. Use the :CHANnel<n>:LABel command (see [page 282](#)) or :DIGital<n>:LABel command (see [page 306](#)).

**Query Syntax** :CHANnel:LABel?

The :CHANnel:LABel? query returns the label associated with a particular analog channel.

**Return Format** <string><NL>  
 <string> ::= quoted ASCII string

## :CHANnel:THReshold

**O** (see [page 1172](#))

**Command Syntax** :CHANnel:THReshold <channel group>, <threshold type> [, <value>]

<channel group> ::= {POD1 | POD2}

<threshold type> ::= {CMOS | ECL | TTL | USERdef}

<value> ::= voltage for USERdef in NR3 format [volt\_type]

[volt\_type] ::= {V | mV (-3) | uV (-6)}

The :CHANnel:THReshold command sets the threshold for a group of channels. The threshold is either set to a predefined value or to a user-defined value. For the predefined value, the voltage parameter is ignored.

### NOTE

The :CHANnel:THReshold command is an obsolete command provided for compatibility to previous oscilloscopes. Use the :POD<n>:THReshold command (see [page 551](#)) or :DIGital<n>:THReshold command (see [page 309](#)).

**Query Syntax** :CHANnel:THReshold? <channel group>

The :CHANnel:THReshold? query returns the voltage and threshold text for a specific group of channels.

**Return Format** <threshold type> [, <value>]<NL>

<threshold type> ::= {CMOS | ECL | TTL | USERdef}

<value> ::= voltage for USERdef (float 32 NR3)

### NOTE

- CMOS = 2.5V
- TTL = 1.5V
- ECL = -1.3V
- USERdef ::= -6.0V to 6.0V

## :CHANnel2:SKEW

**O** (see [page 1172](#))

**Command Syntax**    :CHANnel2:SKEW <skew value>  
                          <skew value> ::= skew time in NR3 format  
                          <skew value> ::= -100 ns to +100 ns

The :CHANnel2:SKEW command sets the skew between channels 1 and 2. The maximum skew is +/-100 ns. You can use the oscilloscope's analog probe skew control to remove cable delay errors between channel 1 and channel 2.

**NOTE**

The :CHANnel2:SKEW command is an obsolete command provided for compatibility to previous oscilloscopes. Use the :CHANnel<n>:PROBe:SKEW command (see [page 288](#)) instead.

**NOTE**

This command is only valid for the two channel oscilloscope models.

**Query Syntax**    :CHANnel2:SKEW?

The :CHANnel2:SKEW? query returns the current probe skew setting for the selected channel.

**Return Format**    <skew value><NL>  
                          <skew value> ::= skew value in NR3 format

**See Also**        • ["Introduction to :CHANnel<n> Commands"](#) on page 275



`:CHANnel<n>:INPut`

**O** (see [page 1172](#))

**Command Syntax** `:CHANnel<n>:INPut <impedance>`

`<impedance> ::= {ONEMeg | FIFTy}`

`<n> ::= 1 to (# analog channels) in NR1 format`

The `:CHANnel<n>:INPut` command selects the input impedance setting for the specified channel. The legal values for this command are ONEMeg (1 M $\Omega$ ) and FIFTy (50 $\Omega$ ).

**NOTE**

The `:CHANnel<n>:INPut` command is an obsolete command provided for compatibility to previous oscilloscopes. Use the `:CHANnel<n>:IMPedance` command (see [page 280](#)) instead.

**Query Syntax** `:CHANnel<n>:INPut?`

The `:CHANnel<n>:INPut?` query returns the current input impedance setting for the specified channel.

**Return Format** `<impedance value><NL>`

`<impedance value> ::= {ONEM | FIFT}`

**:CHANnel<n>:PMODE**

**O** (see [page 1172](#))

**Command Syntax**    `:CHANnel<n>:PMODE <pmode value>`  
                           `<pmode value> ::= {AUTO | MANual}`  
                           `<n> ::= 1 to (# analog channels) in NR1 format`

The probe sense mode is controlled internally and cannot be set. If a probe with sense is connected to the specified channel, auto sensing is enabled; otherwise, the mode is manual.

If the PMODE sent matches the oscilloscope's setting, the command will be accepted. Otherwise, a setting conflict error is generated.

**NOTE**

The `:CHANnel<n>:PMODE` command is an obsolete command provided for compatibility to previous oscilloscopes.

**Query Syntax**    `:CHANnel<n>:PMODE?`

The `:CHANnel<n>:PMODE?` query returns AUT if an autosense probe is attached and MAN otherwise.

**Return Format**    `<pmode value><NL>`  
                           `<pmode value> ::= {AUT | MAN}`

## :DISPlay:CONNEct

**O** (see [page 1172](#))

**Command Syntax** :DISPlay:CONNEct <connect>  
 <connect> ::= {{ 1 | ON} | {0 | OFF}}

The :DISPlay:CONNEct command turns vectors on and off. When vectors are turned on, the oscilloscope displays lines connecting sampled data points. When vectors are turned off, only the sampled data is displayed.

**NOTE**

The :DISPlay:CONNEct command is an obsolete command provided for compatibility to previous oscilloscopes. Use the :DISPlay:VECTors command (see [page 325](#)) instead.

**Query Syntax** :DISPlay:CONNEct?

The :DISPlay:CONNEct? query returns the current state of the vectors setting.

**Return Format** <connect><NL>  
 <connect> ::= {1 | 0}

**See Also** • [":DISPlay:VECTors"](#) on page 325

## :DISPlay:ORDer

**O** (see [page 1172](#))

**Query Syntax** :DISPlay:ORDer?

The :DISPlay:ORDer? query returns a list of digital channel numbers in screen order, from top to bottom, separated by commas. Busing is displayed as digital channels with no separator. For example, in the following list, the bus consists of digital channels 4 and 5: DIG1, DIG4 DIG5, DIG7.

### NOTE

The :DISPlay:ORDer command is an obsolete command provided for compatibility to previous oscilloscopes. This command is only available on the MSO models.

### Return Format

<order><NL>

<order> ::= Unquoted ASCII string

### NOTE

A return value is included for each digital channel. A return value of NONE indicates that a channel is turned off.

**See Also** • [":DIGital<d>:POSition"](#) on page 307

### Example Code

```
' DISP_ORDER - Set the order the channels are displayed on the
' analyzer. You can enter between 1 and 32 channels at one time.
' If you leave out channels, they will not be displayed.

' Display ONLY channel 0 and channel 10 in that order.
myScope.WriteString ":DISPLAY:ORDER 0,10"
```

See complete example programs at: [Chapter 40](#), "Programming Examples," starting on page 1181

:ERASe

**O** (see [page 1172](#))

**Command Syntax** :ERASe

The :ERASe command erases the screen.

**NOTE**

The :ERASe command is an obsolete command provided for compatibility to previous oscilloscopes. Use the :DISplay:CLEar command (see [page 317](#)) instead.

---

## :EXternal:PMODE

**O** (see [page 1172](#))

**Command Syntax** :EXternal:PMODE <pmode value>

<pmode value> ::= {AUTO | MANual}

The probe sense mode is controlled internally and cannot be set. If a probe with sense is connected to the specified channel, auto sensing is enabled; otherwise, the mode is manual.

If the pmode sent matches the oscilloscope's setting, the command will be accepted. Otherwise, a setting conflict error is generated.

### NOTE

The :EXternal:PMODE command is an obsolete command provided for compatibility to previous oscilloscopes.

**Query Syntax** :EXternal:PMODE?

The :EXternal:PMODE? query returns AUT if an autosense probe is attached and MAN otherwise.

**Return Format** <pmode value><NL>

<pmode value> ::= {AUT | MAN}

## :FUNCTION:SOURce

**O** (see [page 1172](#))

**Command Syntax** :FUNCTION:SOURce <value>  
 <value> ::= {CHANnel<n> | ADD | SUBtract | MULTiply}  
 <n> ::= 1 to (# analog channels) in NR1 format

The :FUNCTION:SOURce command is only used when an FFT (Fast Fourier Transform), DIFF, or INT operation is selected (see the:FUNCTION:OPERation command for more information about selecting an operation). The :FUNCTION:SOURce command selects the source for function operations. Choose CHANnel<n>, or ADD, SUBT, or MULT to specify the desired source for function DIFF (differentiate), INTegrate, and FFT operations specified by the :FUNCTION:OPERation command.

**NOTE**

The :FUNCTION:SOURce command is an obsolete command provided for compatibility to previous oscilloscopes. Use the :FUNCTION:SOURce1 command (see [page 370](#)) instead.

**Query Syntax** :FUNCTION:SOURce?

The :FUNCTION:SOURce? query returns the current source for function operations.

**Return Format** <value><NL>  
 <value> ::= {CHAN<n> | ADD | SUBT | MULT}  
 <n> ::= 1 to (# analog channels) in NR1 format

- See Also**
- ["Introduction to :FUNCTION Commands"](#) on page 344
  - [":FUNCTION:OPERation"](#) on page 365

## :FUNCTION:VIEW

**O** (see [page 1172](#))

**Command Syntax** :FUNCTION:VIEW <view>  
 <view> ::= {{1 | ON} | (0 | OFF}}

The :FUNCTION:VIEW command turns the selected function on or off. When ON is selected, the function performs as specified using the other FUNCTION commands. When OFF is selected, function is neither calculated nor displayed.

**NOTE**

The :FUNCTION:VIEW command is provided for backward compatibility to previous oscilloscopes. Use the :FUNCTION:DISPLAY command (see [page 351](#)) instead.

**Query Syntax** :FUNCTION:VIEW?

The :FUNCTION:VIEW? query returns the current state of the selected function.

**Return Format** <view><NL>  
 <view> ::= {1 | 0}



## :HARDcopy:DESTination

**O** (see [page 1172](#))

**Command Syntax** :HARDcopy:DESTination <destination>  
 <destination> ::= {CENTronics | FLOppy}

The :HARDcopy:DESTination command sets the hardcopy destination.

**NOTE**

The :HARDcopy:DESTination command is an obsolete command provided for compatibility to previous oscilloscopes. Use the :HARDcopy:FILENAME command (see [page 1098](#)) instead.

**Query Syntax** :HARDcopy:DESTination?

The :HARDcopy:DESTination? query returns the selected hardcopy destination.

**Return Format** <destination><NL>  
 <destination> ::= {CENT | FLOP}

**See Also** • ["Introduction to :HARDcopy Commands"](#) on page 376

## :HARDcopy:FILEname

**O** (see [page 1172](#))

**Command Syntax** :HARDcopy:FILEname <string>  
<string> ::= quoted ASCII string

The :HARDcopy:FILEname command sets the output filename for those print formats whose output is a file.

### NOTE

The :HARDcopy:FILEname command is an obsolete command provided for compatibility to previous oscilloscopes. Use the :SAVE:FILEname command (see [page 633](#)) and :RECall:FILEname command (see [page 624](#)) instead.

---

**Query Syntax** :HARDcopy:FILEname?

The :HARDcopy:FILEname? query returns the current hardcopy output filename.

**Return Format** <string><NL>  
<string> ::= quoted ASCII string

**See Also** • ["Introduction to :HARDcopy Commands"](#) on page 376

## :HARDcopy:GRAYscale

**O** (see [page 1172](#))

**Command Syntax** :HARDcopy:GRAYscale <gray>  
<gray> ::= {{OFF | 0} | {ON | 1}}

The :HARDcopy:GRAYscale command controls whether grayscaling is performed in the hardcopy dump.

### NOTE

The :HARDcopy:GRAYscale command is an obsolete command provided for compatibility to previous oscilloscopes. Use the :HARDcopy:PALETTE command (see [page 389](#)) instead. (":HARDcopy:GRAYscale ON" is the same as ":HARDcopy:PALETTE GRAYscale" and ":HARDcopy:GRAYscale OFF" is the same as ":HARDcopy:PALETTE COLOR".)

**Query Syntax** :HARDcopy:GRAYscale?

The :HARDcopy:GRAYscale? query returns a flag indicating whether grayscaling is performed in the hardcopy dump.

**Return Format** <gray><NL>  
<gray> ::= {0 | 1}

**See Also** • ["Introduction to :HARDcopy Commands"](#) on page 376

## :HARDcopy:IGColors

**Q** (see [page 1172](#))

**Command Syntax** :HARDcopy:IGColors <value>  
<value> ::= {{OFF | 0} | {ON | 1}}

The :HARDcopy:IGColors command controls whether the graticule colors are inverted or not.

### NOTE

The :HARDcopy:IGColors command is an obsolete command provided for compatibility to previous oscilloscopes. Use the :HARDcopy:INKSaver (see [page 381](#)) command instead.

**Query Syntax** :HARDcopy:IGColors?

The :HARDcopy:IGColors? query returns a flag indicating whether graticule colors are inverted or not.

**Return Format** <value><NL>  
<value> ::= {0 | 1}

**See Also** • ["Introduction to :HARDcopy Commands"](#) on page 376

## :HARDcopy:PDRiver

**O** (see [page 1172](#))

**Command Syntax** :HARDcopy:PDRiver <driver>

```
<driver> ::= {AP2Xxx | AP21xx | {AP2560 | AP25} | {DJ350 | DJ35} |
             DJ6xx | {DJ630 | DJ63} | DJ6Special | DJ6Photo |
             DJ8Special | DJ8xx | DJ9Vip | OJPRokx50 | DJ9xx | GVIP |
             DJ55xx | {PS470 | PS47} {PS100 | PS10} | CLASer |
             MLASer | LJFastraster | POSTscript}
```

The HARDcopy:PDRiver command sets the hardcopy printer driver used for the selected printer.

If the correct driver for the selected printer can be identified, it will be selected and cannot be changed.

### NOTE

The :HARDcopy:PDRiver command is an obsolete command provided for compatibility to previous oscilloscopes. Use the :HARDcopy:APRinter (see [page 378](#)) command instead.

**Query Syntax** :HARDcopy:PDRiver?

The :HARDcopy:PDRiver? query returns the selected hardcopy printer driver.

**Return Format** <driver><NL>

```
<driver> ::= {AP2X | AP21 | AP25 | DJ35 | DJ6 | DJ63 | DJ6S | DJ6P |
             DJ8S | DJ8 | DJ9V | OJPR | DJ9 | GVIP | DJ55 | PS10 |
             PS47 | CLAS | MLAS | LJF | POST}
```

**See Also** • ["Introduction to :HARDcopy Commands"](#) on page 376

## :MEASure:LOWer

**O** (see [page 1172](#))

**Command Syntax** :MEASure:LOWer <voltage>

The :MEASure:LOWer command sets the lower measurement threshold value. This value and the UPPer value represent absolute values when the thresholds are ABSolute and percentage when the thresholds are PERCent as defined by the :MEASure:DEFine THResholds command.

### NOTE

The :MEASure:LOWer command is obsolete and is provided for backward compatibility to previous oscilloscopes. Use the :MEASure:DEFine THResholds command (see [page 436](#)) instead.

**Query Syntax** :MEASure:LOWer?

The :MEASure:LOWer? query returns the current lower threshold level.

**Return Format** <voltage><NL>

<voltage> ::= the user-defined lower threshold in volts in NR3 format

- See Also**
- ["Introduction to :MEASure Commands"](#) on page 428
  - [":MEASure:THResholds"](#) on page 1105
  - [":MEASure:UPPer"](#) on page 1111

## :MEASure:SCRatch

**O** (see [page 1172](#))

**Command Syntax** :MEASure:SCRatch

The :MEASure:SCRatch command clears all selected measurements and markers from the screen.

### NOTE

The :MEASure:SCRatch command is obsolete and is provided for backward compatibility to previous oscilloscopes. Use the :MEASure:CLEar command (see [page 434](#)) instead.

---

## :MEASure:TDELta

**O** (see [page 1172](#))

**Query Syntax** :MEASure:TDELta?

The :MEASure:TDELta? query returns the time difference between the Tstop marker (X2 cursor) and the Tstart marker (X1 cursor).

$T_{\text{delta}} = T_{\text{stop}} - T_{\text{start}}$

Tstart is the time at the start marker (X1 cursor) and Tstop is the time at the stop marker (X2 cursor). No measurement is made when the :MEASure:TDELta? query is received by the oscilloscope. The delta time value that is output is the current value. This is the same value as the front-panel cursors delta X value.

### NOTE

The :MEASure:TDELta command is an obsolete command provided for compatibility to previous oscilloscopes. Use the :MARKer:XDELta command (see [page 404](#)) instead.

**Return Format** <value><NL>

<value> ::= time difference between start and stop markers in NR3 format

- See Also**
- ["Introduction to :MARKer Commands"](#) on page 398
  - ["Introduction to :MEASure Commands"](#) on page 428
  - [":MARKer:X1Position"](#) on page 400
  - [":MARKer:X2Position"](#) on page 402
  - [":MARKer:XDELta"](#) on page 404
  - [":MEASure:TSTArt"](#) on page 1108
  - [":MEASure:TSTOp"](#) on page 1109



## :MEASure:THResholds

**O** (see [page 1172](#))

**Command Syntax** :MEASure:THResholds {T1090 | T2080 | VOLTage}

The :MEASure:THResholds command selects the thresholds used when making time measurements.

### NOTE

The :MEASure:THResholds command is obsolete and is provided for backward compatibility to previous oscilloscopes. Use the :MEASure:DEFine THResholds command (see [page 436](#)) instead.

**Query Syntax** :MEASure:THResholds?

The :MEASure:THResholds? query returns the current thresholds selected when making time measurements.

**Return Format** {T1090 | T2080 | VOLTage}<NL>

{T1090} uses the 10% and 90% levels of the selected waveform.

{T2080} uses the 20% and 80% levels of the selected waveform.

{VOLTage} uses the upper and lower voltage thresholds set by the UPPer and LOWer commands on the selected waveform.

- See Also**
- ["Introduction to :MEASure Commands"](#) on page 428
  - [":MEASure:LOWer"](#) on page 1102
  - [":MEASure:UPPer"](#) on page 1111

## :MEASure:TMAX

**O** (see [page 1172](#))

**Command Syntax** :MEASure:TMAX [<source>]

<source> ::= {CHANnel<n> | FUNction | MATH}

<n> ::= 1 to (# analog channels) in NR1 format

The :MEASure:TMAX command installs a screen measurement and starts an X-at-Max-Y measurement on the selected waveform. If the optional source is specified, the current source is modified.

### NOTE

The :MEASure:TMAX command is obsolete and is provided for backward compatibility to previous oscilloscopes. Use the :MEASure:XMAX command (see [page 491](#)) instead.

**Query Syntax** :MEASure:TMAX? [<source>]

The :MEASure:TMAX? query returns the horizontal axis value at which the maximum vertical value occurs on the current source. If the optional source is specified, the current source is modified. If all channels are off, the query returns 9.9E+37.

**Return Format** <value><NL>

<value> ::= time at maximum in NR3 format

- See Also**
- ["Introduction to :MEASure Commands"](#) on page 428
  - [":MEASure:TMIN"](#) on page 1107
  - [":MEASure:XMAX"](#) on page 491
  - [":MEASure:XMIN"](#) on page 492

## :MEASure:TMIN

**O** (see [page 1172](#))

**Command Syntax** :MEASure:TMIN [<source>]

<source> ::= {CHANnel<n> | FUNction | MATH}

<n> ::= 1 to (# analog channels) in NR1 format

The :MEASure:TMIN command installs a screen measurement and starts an X-at-Min-Y measurement on the selected waveform. If the optional source is specified, the current source is modified.

**NOTE**

The :MEASure:TMIN command is obsolete and is provided for backward compatibility to previous oscilloscopes. Use the :MEASure:XMIN command (see [page 492](#)) instead.

**Query Syntax** :MEASure:TMIN? [<source>]

The :MEASure:TMIN? query returns the horizontal axis value at which the minimum vertical value occurs on the current source. If the optional source is specified, the current source is modified. If all channels are off, the query returns 9.9E+37.

**Return Format** <value><NL>

<value> ::= time at minimum in NR3 format

- See Also**
- ["Introduction to :MEASure Commands"](#) on page 428
  - [":MEASure:TMAX"](#) on page 1106
  - [":MEASure:XMAX"](#) on page 491
  - [":MEASure:XMIN"](#) on page 492

## :MEASure:TSTArt

**O** (see [page 1172](#))

**Command Syntax** :MEASure:TSTArt <value> [suffix]  
 <value> ::= time at the start marker in seconds  
 [suffix] ::= {s | ms | us | ns | ps}

The :MEASure:TSTArt command moves the start marker (X1 cursor) to the specified time with respect to the trigger time.

### NOTE

The short form of this command, TSTA, does not follow the defined Long Form to Short Form Truncation Rules (see [page 1174](#)). The normal short form "TST" would be the same for both TSTArt and TSTOp, so sending TST for the TSTArt command produces an error.

### NOTE

The :MEASure:TSTArt command is an obsolete command provided for compatibility to previous oscilloscopes. Use the :MARKer:X1Position command (see [page 400](#)) instead.

**Query Syntax** :MEASure:TSTArt?

The :MEASure:TSTArt? query returns the time at the start marker (X1 cursor).

**Return Format** <value><NL>

<value> ::= time at the start marker in NR3 format

- See Also**
- ["Introduction to :MARKer Commands"](#) on page 398
  - ["Introduction to :MEASure Commands"](#) on page 428
  - [":MARKer:X1Position"](#) on page 400
  - [":MARKer:X2Position"](#) on page 402
  - [":MARKer:XDELta"](#) on page 404
  - [":MEASure:TDELta"](#) on page 1104
  - [":MEASure:TSTOp"](#) on page 1109

## :MEASure:TSTOp

**O** (see [page 1172](#))

**Command Syntax** :MEASure:TSTOp <value> [suffix]  
 <value> ::= time at the stop marker in seconds  
 [suffix] ::= {s | ms | us | ns | ps}

The :MEASure:TSTOp command moves the stop marker (X2 cursor) to the specified time with respect to the trigger time.

**NOTE**

The short form of this command, TSTO, does not follow the defined Long Form to Short Form Truncation Rules (see [page 1174](#)). The normal short form "TST" would be the same for both TSTArt and TSTOp, so sending TST for the TSTOp command produces an error.

**NOTE**

The :MEASure:TSTOp command is an obsolete command provided for compatibility to previous oscilloscopes. Use the :MARKer:X2Position command (see [page 402](#)) instead.

**Query Syntax** :MEASure:TSTOp?

The :MEASure:TSTOp? query returns the time at the stop marker (X2 cursor).

**Return Format** <value><NL>

<value> ::= time at the stop marker in NR3 format

- See Also**
- ["Introduction to :MARKer Commands"](#) on page 398
  - ["Introduction to :MEASure Commands"](#) on page 428
  - ["::MARKer:X1Position"](#) on page 400
  - ["::MARKer:X2Position"](#) on page 402
  - ["::MARKer:XDELta"](#) on page 404
  - ["::MEASure:TDELta"](#) on page 1104
  - ["::MEASure:TSTArt"](#) on page 1108

## :MEASure:TVOLT

**O** (see [page 1172](#))

**Query Syntax** :MEASure:TVOLT? <value>, [<slope>]<occurrence>[,<source>]

<value> ::= the voltage level that the waveform must cross.

<slope> ::= direction of the waveform. A rising slope is indicated by a plus sign (+). A falling edge is indicated by a minus sign (-).

<occurrence> ::= the transition to be reported. If the occurrence number is one, the first crossing is reported. If the number is two, the second crossing is reported, etc.

<source> ::= {<digital channels> | CHANnel<n> | FUNction | MATH}

<digital channels> ::= {DIGital<d>} for the MSO models

<n> ::= 1 to (# analog channels) in NR1 format

<d> ::= 0 to (# digital channels - 1) in NR1 format

When the :MEASure:TVOLT? query is sent, the displayed signal is searched for the specified voltage level and transition. The time interval between the trigger event and this defined occurrence is returned as the response to the query.

The specified voltage can be negative or positive. To specify a negative voltage, use a minus sign (-). The sign of the slope selects a rising (+) or falling (-) edge. If no sign is specified for the slope, it is assumed to be the rising edge.

The magnitude of the occurrence defines the occurrence to be reported. For example, +3 returns the time for the third time the waveform crosses the specified voltage level in the positive direction. Once this voltage crossing is found, the oscilloscope reports the time at that crossing in seconds, with the trigger point (time zero) as the reference.

If the specified crossing cannot be found, the oscilloscope reports +9.9E+37. This value is returned if the waveform does not cross the specified voltage, or if the waveform does not cross the specified voltage for the specified number of times in the direction specified.

If the optional source parameter is specified, the current source is modified.

**NOTE**

The :MEASure:TVOLT command is obsolete and is provided for backward compatibility to previous oscilloscopes. Use the :MEASure:TVALue command (see [page 478](#)).

**Return Format** <value><NL>

<value> ::= time in seconds of the specified voltage crossing  
in NR3 format

## :MEASure:UPPer

**O** (see [page 1172](#))

**Command Syntax** :MEASure:UPPer <value>

The :MEASure:UPPer command sets the upper measurement threshold value. This value and the LOWer value represent absolute values when the thresholds are ABSolute and percentage when the thresholds are PERCent as defined by the :MEASure:DEFine THResholds command.

**NOTE**

The :MEASure:UPPer command is obsolete and is provided for backward compatibility to previous oscilloscopes. Use the :MEASure:DEFine THResholds command (see [page 436](#)) instead.

**Query Syntax** :MEASure:UPPer?

The :MEASure:UPPer? query returns the current upper threshold level.

**Return Format** <value><NL>

<value> ::= the user-defined upper threshold in NR3 format

- See Also**
- ["Introduction to :MEASure Commands"](#) on page 428
  - [":MEASure:LOWer"](#) on page 1102
  - [":MEASure:THResholds"](#) on page 1105

## :MEASure:VDELta

**O** (see [page 1172](#))

**Query Syntax** :MEASure:VDELta?

The :MEASure:VDELta? query returns the voltage difference between vertical marker 1 (Y1 cursor) and vertical marker 2 (Y2 cursor). No measurement is made when the :MEASure:VDELta? query is received by the oscilloscope. The delta value that is returned is the current value. This is the same value as the front-panel cursors delta Y value.

VDELta = value at marker 2 - value at marker 1

### NOTE

The :MEASure:VDELta command is an obsolete command provided for compatibility to previous oscilloscopes. Use the :MARKer:YDELta command (see [page 411](#)) instead.

**Return Format** <value><NL>

<value> ::= delta V value in NR1 format

- See Also**
- ["Introduction to :MARKer Commands"](#) on page 398
  - ["Introduction to :MEASure Commands"](#) on page 428
  - [":MARKer:Y1Position"](#) on page 407
  - [":MARKer:Y2Position"](#) on page 409
  - [":MARKer:YDELta"](#) on page 411
  - [":MEASure:TDELta"](#) on page 1104
  - [":MEASure:TSTArt"](#) on page 1108



## :MEASure:VSTArt

**O** (see [page 1172](#))

**Command Syntax** :MEASure:VSTArt <vstart\_argument>  
 <vstart\_argument> ::= value for vertical marker 1

The :MEASure:VSTArt command moves the vertical marker (Y1 cursor) to the specified value corresponding to the selected source. The source can be selected by the MARKer:X1Y1source command.

**NOTE**

The short form of this command, VSTA, does not follow the defined Long Form to Short Form Truncation Rules (see [page 1174](#)). The normal short form, VST, would be the same for both VSTArt and VSTOp, so sending VST for the VSTArt command produces an error.

**NOTE**

The :MEASure:VSTArt command is an obsolete command provided for compatibility to previous oscilloscopes. Use the :MARKer:Y1Position command (see [page 407](#)) instead.

**Query Syntax** :MEASure:VSTArt?

The :MEASure:VSTArt? query returns the current value of the Y1 cursor.

**Return Format** <value><NL>  
 <value> ::= voltage at voltage marker 1 in NR3 format

- See Also**
- ["Introduction to :MARKer Commands"](#) on page 398
  - ["Introduction to :MEASure Commands"](#) on page 428
  - [":MARKer:Y1Position"](#) on page 407
  - [":MARKer:Y2Position"](#) on page 409
  - [":MARKer:YDELta"](#) on page 411
  - [":MARKer:X1Y1source"](#) on page 401
  - [":MEASure:SOURce"](#) on page 468
  - [":MEASure:TDELta"](#) on page 1104
  - [":MEASure:TSTArt"](#) on page 1108

## :MEASure:VSTOp

**O** (see [page 1172](#))

**Command Syntax** :MEASure:VSTOp <vstop\_argument>  
<vstop\_argument> ::= value for Y2 cursor

The :MEASure:VSTOp command moves the vertical marker 2 (Y2 cursor) to the specified value corresponding to the selected source. The source can be selected by the MARKer:X2Y2source command.

### NOTE

The short form of this command, VSTO, does not follow the defined Long Form to Short Form Truncation Rules (see [page 1174](#)). The normal short form, VST, would be the same for both VSTArt and VSTOp, so sending VST for the VSTOp command produces an error.

### NOTE

The :MEASure:VSTOp command is an obsolete command provided for compatibility to previous oscilloscopes. Use the :MARKer:Y2Position command (see [page 409](#)) instead.

**Query Syntax** :MEASure:VSTOp?

The :MEASure:VSTOp? query returns the current value of the Y2 cursor.

**Return Format** <value><NL>  
<value> ::= value of the Y2 cursor in NR3 format

- See Also**
- "[Introduction to :MARKer Commands](#)" on page 398
  - "[Introduction to :MEASure Commands](#)" on page 428
  - "[:MARKer:Y1Position](#)" on page 407
  - "[:MARKer:Y2Position](#)" on page 409
  - "[:MARKer:YDELta](#)" on page 411
  - "[:MARKer:X2Y2source](#)" on page 403
  - "[:MEASure:SOURce](#)" on page 468
  - "[:MEASure:TDELta](#)" on page 1104
  - "[:MEASure:TSTArt](#)" on page 1108

:MTEST:AMASK:{SAVE | STORE}

**O** (see [page 1172](#))

**Command Syntax** :MTEST:AMASK:{SAVE | STORE} "<filename>"

The :MTEST:AMASK:SAVE command saves the automask generated mask to a file. If an automask has not been generated, an error occurs.

The <filename> parameter is an MS-DOS compatible name of the file, a maximum of 254 characters long (including the path name, if used). The filename assumes the present working directory if a path does not precede the file name.

**NOTE**

The :MTEST:AMASK:{SAVE | STORE} command is obsolete and is provided for backward compatibility to previous oscilloscopes. Use the :SAVE:MASK[:START] command (see [page 640](#)) instead.

---

**See Also** · ["Introduction to :MTEST Commands"](#) on page 515

## :MTESt:AVERAge

**O** (see [page 1172](#))

**Command Syntax** :MTESt:AVERAge <on\_off>  
<on\_off> ::= {{1 | ON} | {0 | OFF}}

The :MTESt:AVERAge command enables or disables averaging. When ON, the oscilloscope acquires multiple data values for each time bucket, and averages them. When OFF, averaging is disabled. To set the number of averages, use the :MTESt:AVERAge:COUNT command described next.

### NOTE

The :MTESt:AVERAge command is obsolete and is provided for backward compatibility to previous oscilloscopes. Use the :ACQure:TYPE AVERAge command (see [page 251](#)) instead.

**Query Syntax** :MTESt:AVERAge?

The :MTESt:AVERAge? query returns the current setting for averaging.

**Return Format** <on\_off><NL>  
<on\_off> ::= {1 | 0}

- See Also**
- ["Introduction to :MTESt Commands"](#) on page 515
  - [":MTESt:AVERAge:COUNT"](#) on page 1117

## :MTESt:AVERAge:COUNT

**O** (see [page 1172](#))

**Command Syntax** :MTESt:AVERAge:COUNT <count>

<count> ::= an integer from 2 to 65536 in NR1 format

The :MTESt:AVERAge:COUNT command sets the number of averages for the waveforms. With the AVERAge acquisition type, the :MTESt:AVERAge:COUNT command specifies the number of data values to be averaged for each time bucket before the acquisition is considered complete for that time bucket.

### NOTE

The :MTESt:AVERAge:COUNT command is obsolete and is provided for backward compatibility to previous oscilloscopes. Use the :ACQure:COUNT command (see [page 242](#)) instead.

**Query Syntax** :MTESt:AVERAge:COUNT?

The :MTESt:AVERAge:COUNT? query returns the currently selected count value.

**Return Format** <count><NL>

<count> ::= an integer from 2 to 65536 in NR1 format

- See Also**
- ["Introduction to :MTESt Commands"](#) on page 515
  - [":MTESt:AVERAge"](#) on page 1116

## :MTEST:LOAD

**O** (see [page 1172](#))

**Command Syntax** :MTEST:LOAD "<filename>"

The :MTEST:LOAD command loads the specified mask file.

The <filename> parameter is an MS-DOS compatible name of the file, a maximum of 254 characters long (including the path name, if used).

### NOTE

The :MTEST:LOAD command is obsolete and is provided for backward compatibility to previous oscilloscopes. Use the :RECall:MASK[:START] command (see [page 625](#)) instead.

- See Also**
- ["Introduction to :MTEST Commands"](#) on page 515
  - [":MTEST:AMASK:{SAVE | STORE}"](#) on page 1115

## :MTEST:RUMode

**O** (see [page 1172](#))

**Command Syntax** :MTEST:RUMode {FOREver | TIME,<seconds> | {WAVEforms,<wfm\_count>}}

<seconds> ::= from 1 to 86400 in NR3 format

<wfm\_count> ::= number of waveforms in NR1 format  
from 1 to 1,000,000,000

The :MTEST:RUMode command determines the termination conditions for the mask test. The choices are FOREver, TIME, or WAVEforms.

- FOREver – runs the Mask Test until the test is turned off.
- TIME – sets the amount of time in seconds that a mask test will run before it terminates. The <seconds> parameter is a real number from 1 to 86400 seconds.
- WAVEforms – sets the maximum number of waveforms that are required before the mask test terminates. The <wfm\_count> parameter indicates the number of waveforms that are to be acquired; it is an integer from 1 to 1,000,000,000.

### NOTE

The :MTEST:RUMode command is obsolete and is provided for backward compatibility to previous oscilloscopes. Use the :MTEST:RMODE command (see [page 532](#)) instead.

**Query Syntax** :MTEST:RUMode?

The :MTEST:RUMode? query returns the currently selected termination condition and value.

**Return Format** {FOR | TIME,<seconds> | {WAV,<wfm\_count>}}<NL>

<seconds> ::= from 1 to 86400 in NR3 format

<wfm\_count> ::= number of waveforms in NR1 format  
from 1 to 1,000,000,000

- See Also**
- ["Introduction to :MTEST Commands"](#) on page 515
  - [":MTEST:RUMode:SOFailure"](#) on page 1120

`:MTEST:RUMode:SOFailure`

**O** (see [page 1172](#))

**Command Syntax** `:MTEST:RUMode:SOFailure <on_off>`  
`<on_off> ::= {{1 | ON} | {0 | OFF}}`

The `:MTEST:RUMode:SOFailure` command enables or disables the Stop On Failure run until criteria. When a mask test is run and a mask violation is detected, the mask test is stopped and the acquisition system is stopped.

**NOTE**

The `:MTEST:RUMode:SOFailure` command is obsolete and is provided for backward compatibility to previous oscilloscopes. Use the `:MTEST:RMODE:FACTion:STOP` command (see [page 536](#)) instead.

**Query Syntax** `:MTEST:RUMode:SOFailure?`

The `:MTEST:RUMode:SOFailure?` query returns the current state of the Stop on Failure control.

**Return Format** `<on_off><NL>`  
`<on_off> ::= {1 | 0}`

- See Also**
- ["Introduction to :MTEST Commands"](#) on page 515
  - [":MTEST:RUMode"](#) on page 1119



:MTEST:{START | STOP}

**O** (see [page 1172](#))

**Command Syntax** :MTEST:{START | STOP}

The :MTEST:{START | STOP} command starts or stops the acquisition system.

**NOTE**

The :MTEST:START and :MTEST:STOP commands are obsolete and are provided for backward compatibility to previous oscilloscopes. Use the :RUN command (see [page 232](#)) and :STOP command (see [page 236](#)) instead.

---

**See Also** · ["Introduction to :MTEST Commands"](#) on page 515

## :MTESt:TRIGger:SOURce

**O** (see [page 1172](#))

**Command Syntax** :MTESt:TRIGger:SOURce <source>

<source> ::= CHANnel<n>

<n> ::= 1 to (# analog channels) in NR1 format

The :MTESt:TRIGger:SOURce command sets the channel to use as the trigger.

### NOTE

The :MTESt:TRIGger:SOURce command is obsolete and is provided for backward compatibility to previous oscilloscopes. Use the trigger source commands (see [page 911](#)) instead.

**Query Syntax** :MTESt:TRIGger:SOURce?

The :MTESt:TRIGger:SOURce? query returns the currently selected trigger source.

**Return Format** <source> ::= CHAN<n>

<n> ::= 1 to (# analog channels) in NR1 format

**See Also** • ["Introduction to :MTESt Commands"](#) on page 515

## :PRINT?

**O** (see [page 1172](#))

**Query Syntax** :PRINT? [<options>]

<options> ::= [<print option>][,...,<print option>]

<print option> ::= {COLor | GRAYscale | BMP8bit | BMP}

The :PRINT? query pulls image data back over the bus for storage.

**NOTE**

The :PRINT command is an obsolete command provided for compatibility to previous oscilloscopes. Use the :DISPlay:DATA command (see [page 318](#)) instead.

Print Option	:PRINt command	:PRINt? query	Query Default
COLor	Sets palette=COLor		
GRAYscale	Sets palette=GRAYscale		palette=COLor
PRINter0,1	Causes the USB printer #0,1 to be selected as destination (if connected)	Not used	N/A
BMP8bit	Sets print format to 8-bit BMP	Selects 8-bit BMP formatting for query	N/A
BMP	Sets print format to BMP	Selects BMP formatting for query	N/A
FACTors	Selects outputting of additional settings information for :PRINT	Not used	N/A
NOFactors	Deselects outputting of additional settings information for :PRINT	Not used	N/A

Old Print Option:	Is Now:
HIRes	COLor
LORes	GRAYscale
PARallel	PRINter0
DISK	invalid
PCL	invalid

**NOTE**

The PRINT? query is not a core command.

---

- See Also**
- ["Introduction to Root \(:\) Commands"](#) on page 202
  - ["Introduction to :HARDcopy Commands"](#) on page 376
  - [":HARDcopy:FACTors"](#) on page 379
  - [":HARDcopy:GRAYscale"](#) on page 1099
  - [":DISPlay:DATA"](#) on page 318

## :SAVE:IMAGe:AREA

**Q** (see [page 1172](#))

**Query Syntax** :SAVE:IMAGe:AREA?

The :SAVE:IMAGe:AREA? query returns the selected image area.

When saving images, this query returns SCR (screen). When saving setups or waveform data, this query returns GRAT (graticule) even though graticule images are not saved.

**Return Format** <area><NL>

<area> ::= {GRAT | SCR}

- See Also**
- ["Introduction to :SAVE Commands"](#) on page 631
  - [":SAVE:IMAGe\[:START\]"](#) on page 634
  - [":SAVE:IMAGe:FACTors"](#) on page 635
  - [":SAVE:IMAGe:FORMat"](#) on page 636
  - [":SAVE:IMAGe:INKSaver"](#) on page 637
  - [":SAVE:IMAGe:PALette"](#) on page 638

## :SBUS&lt;n&gt;:LIN:SIGNal:DEFinition

**O** (see [page 1172](#))

**Command Syntax** :SBUS<n>:LIN:SIGNal:DEFinition <value>

<value> ::= {LIN | RX | TX}

The :SBUS<n>:LIN:SIGNal:DEFinition command sets the LIN signal type. These signals can be set to:

Dominant low signals:

- LIN – the actual LIN single-end bus signal line.
- RX – the Receive signal from the LIN bus transceiver.
- TX – the Transmit signal to the LIN bus transceiver.

**NOTE**

This command is available, but the only legal value is LIN.

**Query Syntax** :SBUS<n>:LIN:SIGNal:DEFinition?

The :SBUS<n>:LIN:SIGNal:DEFinition? query returns the current LIN signal type.

**Return Format** <value><NL>

<value> ::= LIN

- See Also**
- ["Introduction to :TRIGger Commands"](#) on page 911
  - [":TRIGger:MODE"](#) on page 920
  - [":SBUS<n>:LIN:SIGNal:BAUDrate"](#) on page 747
  - [":SBUS<n>:LIN:SOURce"](#) on page 748

## :SBUS<n>:SPI:SOURce:DATA

**O** (see [page 1172](#))

**Command Syntax** :SBUS<n>:SPI:SOURce:DATA <source>

<source> ::= {CHANnel<n> | EXTernal} for the DSO models

<source> ::= {CHANnel<n> | DIGital<d>} for the MSO models

<n> ::= 1 to (# analog channels) in NR1 format

<d> ::= 0 to (# digital channels - 1) in NR1 format

The :SBUS<n>:SPI:SOURce:DATA command sets the source for the SPI serial MOSI data.

This command is the same as the :SBUS<n>:SPI:SOURce:MOSI command.

**Query Syntax** :SBUS<n>:SPI:SOURce:DATA?

The :SBUS<n>:SPI:SOURce:DATA? query returns the current source for the SPI serial MOSI data.

**Return Format** <source><NL>

- See Also**
- ["Introduction to :TRIGger Commands"](#) on page 911
  - [":SBUS<n>:SPI:SOURce:MOSI"](#) on page 773
  - [":SBUS<n>:SPI:SOURce:MISO"](#) on page 772
  - [":SBUS<n>:SPI:SOURce:CLOCK"](#) on page 770
  - [":SBUS<n>:SPI:SOURce:FRAME"](#) on page 771
  - [":SBUS<n>:SPI:TRIGger:PATtern:MISO:DATA"](#) on page 774
  - [":SBUS<n>:SPI:TRIGger:PATtern:MOSI:DATA"](#) on page 776
  - [":SBUS<n>:SPI:TRIGger:PATtern:MISO:WIDTH"](#) on page 775
  - [":SBUS<n>:SPI:TRIGger:PATtern:MOSI:WIDTH"](#) on page 777

## :TIMEbase:DElay

**O** (see [page 1172](#))

**Command Syntax** :TIMEbase:DElay <delay\_value>

<delay\_value> ::= time in seconds from trigger to the delay reference point on the screen.

The valid range for delay settings depends on the time/division setting for the main time base.

The :TIMEbase:DElay command sets the main time base delay. This delay is the time between the trigger event and the delay reference point on the screen. The delay reference point is set with the :TIMEbase:REference command (see [page 904](#)).

### NOTE

The :TIMEbase:DElay command is obsolete and is provided for backward compatibility to previous oscilloscopes. Use the :TIMEbase:POSition command (see [page 902](#)) instead.

**Query Syntax** :TIMEbase:DElay?

The :TIMEbase:DElay query returns the current delay value.

**Return Format** <delay\_value><NL>

<delay\_value> ::= time from trigger to display reference in seconds in NR3 format.

**Example Code**

```
' TIMEBASE_DELAY - Sets the time base delay. This delay
' is the internal time between the trigger event and the
' onscreen delay reference point.
```

```
' Set time base delay to 0.0.
myScope.WriteString ":TIMEBASE:DELAY 0.0"
```

See complete example programs at: [Chapter 40](#), "Programming Examples," starting on page 1181



## :TRIGger:THReshold

**O** (see [page 1172](#))

**Command Syntax** :TRIGger:THReshold <channel group>, <threshold type> [, <value>]  
 <channel group> ::= {POD1 | POD2}  
 <threshold type> ::= {CMOS | ECL | TTL | USERdef}  
 <value> ::= voltage for USERdef (floating-point number) [Volt type]  
 [Volt type] ::= {V | mV | uV}

The :TRIGger:THReshold command sets the threshold (trigger level) for a pod of 8 digital channels (either digital channels 0 through 7 or 8 through 15). The threshold can be set to a predefined value or to a user-defined value. For the predefined value, the voltage parameter is not required.

### NOTE

This command is only available on the MSO models.

### NOTE

The :TRIGger:THReshold command is an obsolete command provided for compatibility to previous oscilloscopes. Use the :POD<n>:THReshold command (see [page 551](#)), :DIGital<d>:THReshold command (see [page 309](#)), or :TRIGger[:EDGE]:LEVel command (see [page 937](#)).

**Query Syntax** :TRIGger:THReshold? <channel group>

The :TRIGger:THReshold? query returns the voltage and threshold text for analog channel 1 or 2, or POD1 or POD2.

**Return Format** <threshold type>[, <value>]<NL>  
 <threshold type> ::= {CMOS | ECL | TTL | USER}  
 CMOS ::= 2.5V  
 TTL ::= 1.5V  
 ECL ::= -1.3V  
 USERdef ::= range from -8.0V to +8.0V.  
 <value> ::= voltage for USERdef (a floating-point number in NR1).

## :TRIGger:TV:TVMode

**O** (see [page 1172](#))

**Command Syntax** :TRIGger:TV:TVMode <mode>

```
<mode> ::= {FIEld1 | FIEld2 | AFIElds | ALINes | LINE | VERTical
            | LFIeld1 | LFIeld2 | LALTernate | LVERTical}
```

The :TRIGger:TV:MODE command selects the TV trigger mode and field. The LVERTical parameter is only available when :TRIGger:TV:STANdard is GENERIC. The LALTernate parameter is not available when :TRIGger:TV:STANdard is GENERIC (see [page 981](#)).

Old forms for <mode> are accepted:

<mode>	Old Forms Accepted
FIEld1	F1
FIEld2	F2
AFIEld	ALLFields, ALLFLDS
ALINes	ALLLines
LFIeld1	LINEF1, LINEFIELD1
LFIeld2	LINEF2, LINEFIELD2
LALTernate	LINEAlt
LVERTical	LINEVert

**NOTE**

The :TRIGger:TV:TVMode command is an obsolete command provided for compatibility to previous oscilloscopes. Use the :TRIGger:TV:MODE command (see [page 978](#)) instead.

**Query Syntax** :TRIGger:TV:TVMode?

The :TRIGger:TV:TVMode? query returns the TV trigger mode.

**Return Format** <value><NL>

```
<value> ::= {FIE1 | FIE2 | AF1 | ALIN | LINE | VERT | LFI1 | LFI2
            | LALT | LVER}
```

## 36 Error Messages

-440, Query UNTERMINATED after indefinite response

-430, Query DEADLOCKED

-420, Query UNTERMINATED

-410, Query INTERRUPTED

-400, Query error

-340, Calibration failed

-330, Self-test failed

-321, Out of memory

-320, Storage fault

-315, Configuration memory lost

-314, Save/recall memory lost

-313, Calibration memory lost

-311, Memory error

-310, System error

-300, Device specific error

-278, Macro header not found

-277, Macro redefinition not allowed

-276, Macro recursion error

-273, Illegal macro label

-272, Macro execution error

-258, Media protected

-257, File name error

-256, File name not found

-255, Directory full

-254, Media full

-253, Corrupt media

-252, Missing media

-251, Missing mass storage

-250, Mass storage error

-241, Hardware missing

This message can occur when a feature is unavailable or unlicensed.

For example, some serial bus decode commands are only available when the serial decode options are licensed.

-240, Hardware error

-231, Data questionable

-230, Data corrupt or stale

-224, Illegal parameter value

-223, Too much data

-222, Data out of range

-221, Settings conflict

-220, Parameter error

-200, Execution error

-183, Invalid inside macro definition

-181, Invalid outside macro definition

-178, Expression data not allowed

-171, Invalid expression

-170, Expression error

-168, Block data not allowed

-161, Invalid block data

-158, String data not allowed

- 151, Invalid string data
- 150, String data error
- 148, Character data not allowed
- 138, Suffix not allowed
- 134, Suffix too long
- 131, Invalid suffix
- 128, Numeric data not allowed
- 124, Too many digits
- 123, Exponent too large
- 121, Invalid character in number
- 120, Numeric data error
- 114, Header suffix out of range
- 113, Undefined header

-112, Program mnemonic too long

-109, Missing parameter

-108, Parameter not allowed

-105, GET not allowed

-104, Data type error

-103, Invalid separator

-102, Syntax error

-101, Invalid character

-100, Command error

+10, Software Fault Occurred

+100, File Exists

+101, End-Of-File Found

+102, Read Error



**+103, Write Error**

**+104, Illegal Operation**

**+105, Print Canceled**

**+106, Print Initialization Failed**

**+107, Invalid Trace File**

**+108, Compression Error**

**+109, No Data For Operation**

A remote operation wants some information, but there is no information available. For example, you may request a stored TIFF image using the :DISPlay:DATA? query, but there may be no image stored.

**+112, Unknown File Type**

**+113, Directory Not Supported**

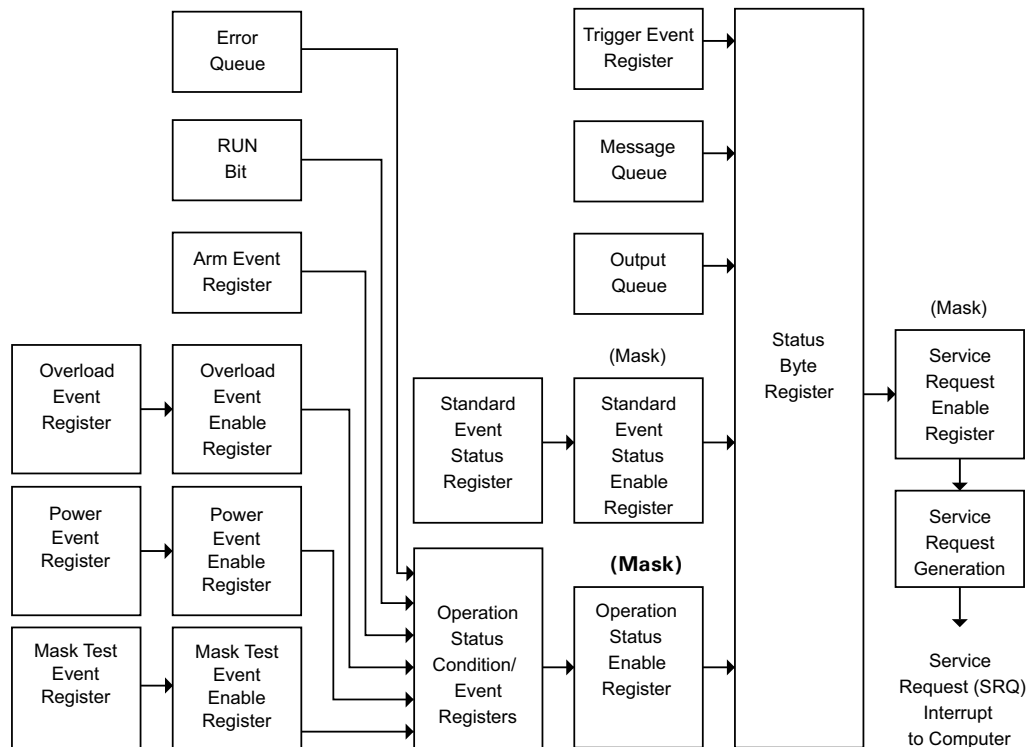


## 37 Status Reporting

Status Reporting Data Structures / 1141  
Status Byte Register (STB) / 1144  
Service Request Enable Register (SRE) / 1146  
Trigger Event Register (TER) / 1147  
Output Queue / 1148  
Message Queue / 1149  
(Standard) Event Status Register (ESR) / 1150  
(Standard) Event Status Enable Register (ESE) / 1151  
Error Queue / 1152  
Operation Status Event Register (:OPERRegister[:EVENT]) / 1153  
Operation Status Condition Register (:OPERRegister:CONDition) / 1154  
Arm Event Register (AER) / 1155  
Overload Event Register (:OVLRegister) / 1156  
Mask Test Event Event Register (:MTERRegister[:EVENT]) / 1157  
Power Event Event Register (:PWRRegister[:EVENT]) / 1158  
Clearing Registers and Queues / 1159  
Status Reporting Decision Chart / 1160

IEEE 488.2 defines data structures, commands, and common bit definitions for status reporting (for example, the Status Byte Register and the Standard Event Status Register). There are also instrument-defined structures and bits (for example, the Operation Status Event Register and the Overload Event Register).

An overview of the oscilloscope's status reporting structure is shown in the following block diagram. The status reporting structure allows monitoring specified events in the oscilloscope. The ability to monitor and report these events allows determination of such things as the status of an operation, the availability and reliability of the measured data, and more.



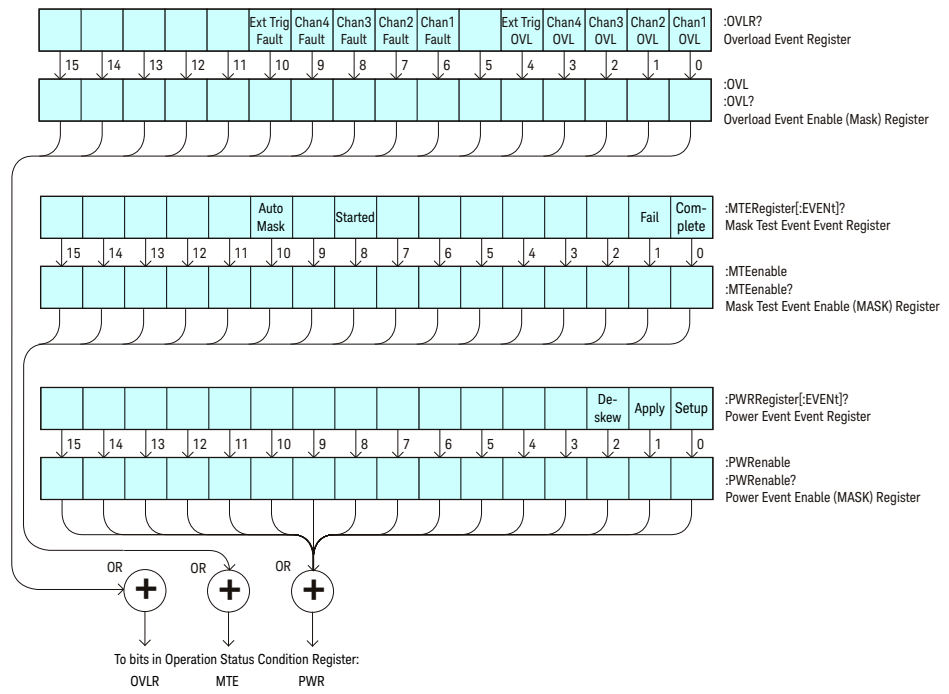
- To monitor an event, first clear the event; then, enable the event. All of the events are cleared when you initialize the instrument.
- To allow a service request (SRQ) interrupt to an external controller, enable at least one bit in the Status Byte Register (by setting, or unmasking, the bit in the Service Request Enable register).

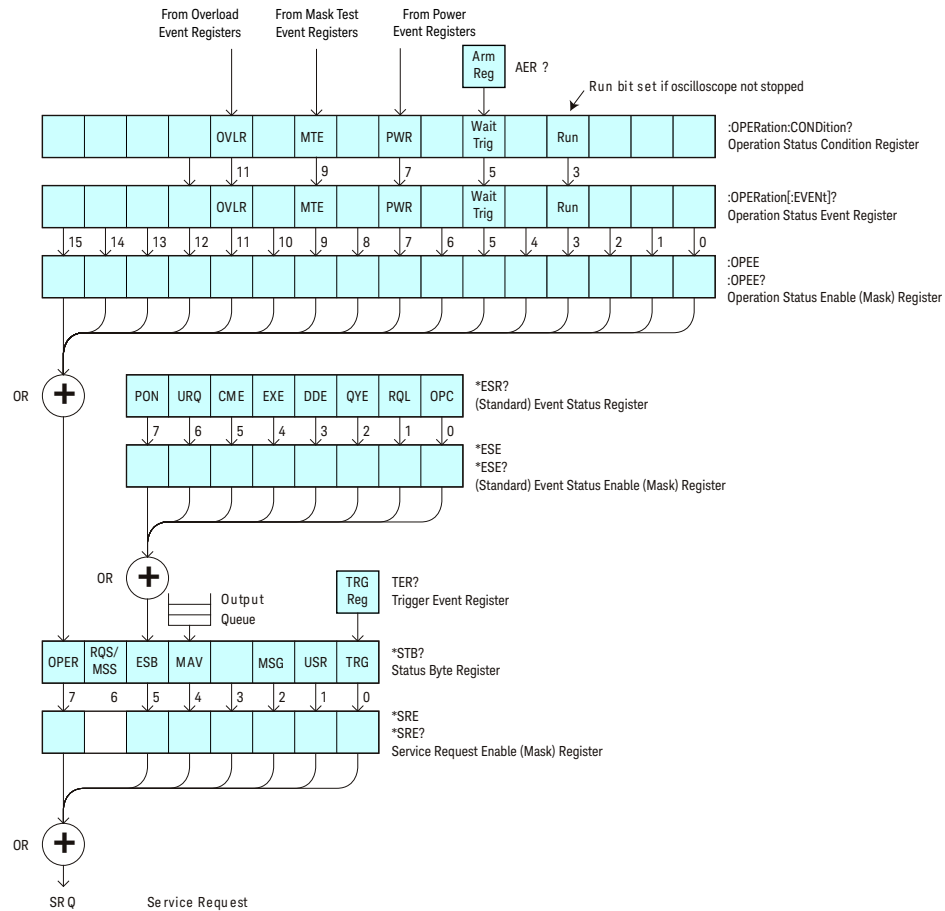
The Status Byte Register, the Standard Event Status Register group, and the Output Queue are defined as the Standard Status Data Structure Model in IEEE 488.2-1987.

The bits in the status byte act as summary bits for the data structures residing behind them. In the case of queues, the summary bit is set if the queue is not empty. For registers, the summary bit is set if any enabled bit in the event register is set. The events are enabled with the corresponding event enable register. Events captured by an event register remain set until the register is read or cleared. Registers are read with their associated commands. The \*CLS command clears all event registers and all queues except the output queue. If you send \*CLS immediately after a program message terminator, the output queue is also cleared.

## Status Reporting Data Structures

The following figure shows how the status register bits are masked and logically OR'ed to generate service requests (SRQ) on particular events.





The status register bits are described in more detail in the following tables:

- [Table 69](#)
- [Table 67](#)
- [Table 74](#)
- [Table 75](#)
- [Table 77](#)
- [Table 72](#)
- [Table 79](#)

The status registers picture above shows how the different status reporting data structures work together. To make it possible for any of the Standard Event Status Register bits to generate a summary bit, the bits must be enabled. These bits are enabled by using the \*ESE common command to set the corresponding bit in the Standard Event Status Enable Register.

To generate a service request (SRQ) interrupt to an external controller, at least one bit in the Status Byte Register must be enabled. These bits are enabled by using the \*SRE common command to set the corresponding bit in the Service Request Enable Register. These enabled bits can then set RQS and MSS (bit 6) in the Status Byte Register.

## Status Byte Register (STB)

The Status Byte Register is the summary-level register in the status reporting structure. It contains summary bits that monitor activity in the other status registers and queues. The Status Byte Register is a live register. That is, its summary bits are set and cleared by the presence and absence of a summary bit from other event registers or queues.

If the Status Byte Register is to be used with the Service Request Enable Register to set bit 6 (RQS/MSS) and to generate an SRQ, at least one of the summary bits must be enabled, then set. Also, event bits in all other status registers must be specifically enabled to generate the summary bit that sets the associated summary bit in the Status Byte Register.

The Status Byte Register can be read using either the \*STB? Common Command or the programming interface serial poll command. Both commands return the decimal-weighted sum of all set bits in the register. The difference between the two methods is that the serial poll command reads bit 6 as the Request Service (RQS) bit and clears the bit which clears the SRQ interrupt. The \*STB? command reads bit 6 as the Master Summary Status (MSS) and does not clear the bit or have any affect on the SRQ interrupt. The value returned is the total bit weights of all of the bits that are set at the present time.

The use of bit 6 can be confusing. This bit was defined to cover all possible computer interfaces, including a computer that could not do a serial poll. The important point to remember is that, if you are using an SRQ interrupt to an external computer, the serial poll command clears bit 6. Clearing bit 6 allows the oscilloscope to generate another SRQ interrupt when another enabled event occurs.

No other bits in the Status Byte Register are cleared by either the \*STB? query or the serial poll, except the Message Available bit (bit 4). If there are no other messages in the Output Queue, bit 4 (MAV) can be cleared as a result of reading the response to the \*STB? command.

If bit 4 (weight = 16) and bit 5 (weight = 32) are set, the program prints the sum of the two weights. Since these bits were not enabled to generate an SRQ, bit 6 (weight = 64) is not set.

The following example uses the \*STB? query to read the contents of the oscilloscope's Status Byte Register.

```
myScope.WriteString "*STB?"
varQueryResult = myScope.ReadNumber
MsgBox "Status Byte Register, Read: 0x" + Hex(varQueryResult)
```

The next program prints 0xD1 and clears bit 6 (RQS) and bit 4 (MAV) of the Status Byte Register. The difference in the output value between this example and the previous one is the value of bit 6 (weight = 64). Bit 6 is set when the first enabled summary bit is set and is cleared when the Status Byte Register is read by the serial poll command.



**Example** The following example uses the resource session object's ReadSTB method to read the contents of the oscilloscope's Status Byte Register.

```
varQueryResult = myScope.IO.ReadSTB  
MsgBox "Status Byte Register, Serial Poll: 0x" + Hex(varQueryResult)
```

**NOTE**

**Use Serial Polling to Read Status Byte Register.** Serial polling is the preferred method to read the contents of the Status Byte Register because it resets bit 6 and allows the next enabled event that occurs to generate a new SRQ interrupt.

---

## Service Request Enable Register (SRE)

Setting the Service Request Enable Register bits enable corresponding bits in the Status Byte Register. These enabled bits can then set RQS and MSS (bit 6) in the Status Byte Register.

Bits are set in the Service Request Enable Register using the \*SRE command and the bits that are set are read with the \*SRE? query.

**Example** The following example sets bit 4 (MAV) and bit 5 (ESB) in the Service Request Enable Register.

```
myScope.WriteString "*SRE " + CStr(CInt("&H30"))
```

This example uses the decimal parameter value of 48, the string returned by CStr(CInt("&H30")), to enable the oscilloscope to generate an SRQ interrupt under the following conditions:

- When one or more bytes in the Output Queue set bit 4 (MAV).
- When an enabled event in the Standard Event Status Register generates a summary bit that sets bit 5 (ESB).

## Trigger Event Register (TER)

This register sets the TRG bit in the status byte when a trigger event occurs.

The TER event register stays set until it is cleared by reading the register or using the \*CLS command. If your application needs to detect multiple triggers, the TER event register must be cleared after each one.

If you are using the Service Request to interrupt a program or controller operation, you must clear the event register each time the trigger bit is set.

## Output Queue

The output queue stores the oscilloscope-to-controller responses that are generated by certain instrument commands and queries. The output queue generates the Message Available summary bit when the output queue contains one or more bytes. This summary bit sets the MAV bit (bit 4) in the Status Byte Register.

When using the Keysight VISA COM library, the output queue may be read with the FormattedIO488 object's ReadString, ReadNumber, ReadList, or ReadIEEEBlock methods.

## Message Queue

The message queue contains the text of the last message written to the advisory line on the screen of the oscilloscope. The length of the oscilloscope's message queue is 1. Note that messages sent with the :SYSTem:DSP command do not set the MSG status bit in the Status Byte Register.

## (Standard) Event Status Register (ESR)

The (Standard) Event Status Register (ESR) monitors the following oscilloscope status events:

- PON - Power On
- URQ - User Request
- CME - Command Error
- EXE - Execution Error
- DDE - Device Dependent Error
- QYE - Query Error
- RQC - Request Control
- OPC - Operation Complete

When one of these events occur, the event sets the corresponding bit in the register. If the bits are enabled in the Standard Event Status Enable Register, the bits set in this register generate a summary bit to set bit 5 (ESB) in the Status Byte Register.

You can read the contents of the Standard Event Status Register and clear the register by sending the \*ESR? query. The value returned is the total bit weights of all of the bits that are set at the present time.

**Example** The following example uses the \*ESR query to read the contents of the Standard Event Status Register.

```
myScope.WriteString "*ESR?"
varQueryResult = myScope.ReadNumber
MsgBox "Standard Event Status Register: 0x" + Hex(varQueryResult)
```

If bit 4 (weight = 16) and bit 5 (weight = 32) are set, the program prints the sum of the two weights.

## (Standard) Event Status Enable Register (ESE)

To allow any of the (Standard) Event Status Register (ESR) bits to generate a summary bit, you must first enable that bit. Enable the bit by using the \*ESE (Event Status Enable) common command to set the corresponding bit in the (Standard) Event Status Enable Register (ESE).

Set bits are read with the \*ESE? query.

**Example** Suppose your application requires an interrupt whenever any type of error occurs. The error related bits in the (Standard) Event Status Register are bits 2 through 5 (hexadecimal value 0x3C). Therefore, you can enable any of these bits to generate the summary bit by sending:

```
myScope.WriteString "*ESE " + CStr(CInt("&H3C"))
```

Whenever an error occurs, it sets one of these bits in the (Standard) Event Status Register. Because all the error related bits are enabled, a summary bit is generated to set bit 5 (ESB) in the Status Byte Register.

If bit 5 (ESB) in the Status Byte Register is enabled (via the \*SRE command), an SRQ service request interrupt is sent to the controller PC.

### NOTE

**Disabled (Standard) Event Status Register bits respond but do not generate a summary bit.** (Standard) Event Status Register bits that are not enabled still respond to their corresponding conditions (that is, they are set if the corresponding event occurs). However, because they are not enabled, they do not generate a summary bit to the Status Byte Register.

## Error Queue

As errors are detected, they are placed in an error queue. This queue is first in, first out. If the error queue overflows, the last error in the queue is replaced with error 350, Queue overflow. Any time the queue overflows, the least recent errors remain in the queue, and the most recent error is discarded. The length of the oscilloscope's error queue is 30 (29 positions for the error messages, and 1 position for the Queue overflow message).

The error queue is read with the `:SYSTEM:ERRor?` query. Executing this query reads and removes the oldest error from the head of the queue, which opens a position at the tail of the queue for a new error. When all the errors have been read from the queue, subsequent error queries return "0, No error".

The error queue is cleared when:

- the instrument is powered up,
- the instrument receives the `*CLS` common command, or
- the last item is read from the error queue.



## Operation Status Event Register (:OPERRegister[:EVENT])

The Operation Status Event Register register hosts these bits:

Name	Location	Description
RUN bit	bit 3	Is set whenever the instrument goes from a stop state to a single or running state.
WAIT TRIG bit	bit 5	Is set by the Trigger Armed Event Register and indicates that the trigger is armed.
PWR bit	bit 7	Comes from the Power Event Registers.
MTE bit	bit 9	Comes from the Mask Test Event Registers.
OVLRL bit	bit 11	Is set whenever a 50Ω input overload occurs.

If any of these bits are set, the OPER bit (bit 7) of the Status Byte Register is set. The Operation Status Event Register is read and cleared with the :OPERRegister[:EVENT]? query. The register output is enabled or disabled using the mask value supplied with the OPEE command.

## Operation Status Condition Register (:OPERRegister:CONDition)

The Operation Status Condition Register register hosts these bits:

Name	Location	Description
RUN bit	bit 3	Is set whenever the instrument is not stopped.
WAIT TRIG bit	bit 5	Is set by the Trigger Armed Event Register and indicates that the trigger is armed.
PWR bit	bit 7	Comes from the Power Event Registers.
MTE bit	bit 9	Comes from the Mask Test Event Registers.
OVLRL bit	bit 11	Is set whenever a 50Ω input overload occurs.

The :OPERRegister:CONDition? query returns the value of the Operation Status Condition Register.

## Arm Event Register (AER)

This register sets bit 5 (Wait Trig bit) in the Operation Status Register and the OPER bit (bit 7) in the Status Byte Register when the instrument becomes armed.

The ARM event register stays set until it is cleared by reading the register with the AER? query or using the \*CLS command. If your application needs to detect multiple triggers, the ARM event register must be cleared after each one.

If you are using the Service Request to interrupt a program or controller operation when the trigger bit is set, then you must clear the event register after each time it has been set.

## Overload Event Register (:OVLRegister)

The Overload Event Register register hosts these bits:

Name	Location	Description
Channel 1 OVL	bit 0	Overload has occurred on Channel 1 input.
Channel 2 OVL	bit 1	Overload has occurred on Channel 2 input.
Channel 3 OVL	bit 2	Overload has occurred on Channel 3 input.
Channel 4 OVL	bit 3	Overload has occurred on Channel 4 input.
External Trigger OVL	bit 4	Overload has occurred on External Trigger input.
Channel 1 Fault	bit 6	Fault has occurred on Channel 1 input.
Channel 2 Fault	bit 7	Fault has occurred on Channel 2 input.
Channel 3 Fault	bit 8	Fault has occurred on Channel 3 input.
Channel 4 Fault	bit 9	Fault has occurred on Channel 4 input.
External Trigger Fault	bit 10	Fault has occurred on External Trigger input.

## Mask Test Event Event Register (:MTERegister[:EVENT])

The Mask Test Event Event Register register hosts these bits:

Name	Location	Description
Complete	bit 0	Is set when the mask test is complete.
Fail	bit 1	Is set when there is a mask test failure.
Started	bit 8	Is set when mask testing is started.
Auto Mask	bit 10	Is set when auto mask creation is completed.

The :MTERegister[:EVENT]? query returns the value of, and clears, the Mask Test Event Event Register.

## Power Event Event Register (:PWRRegister[:EVENT])

The Power Event Event Register register hosts these bits:

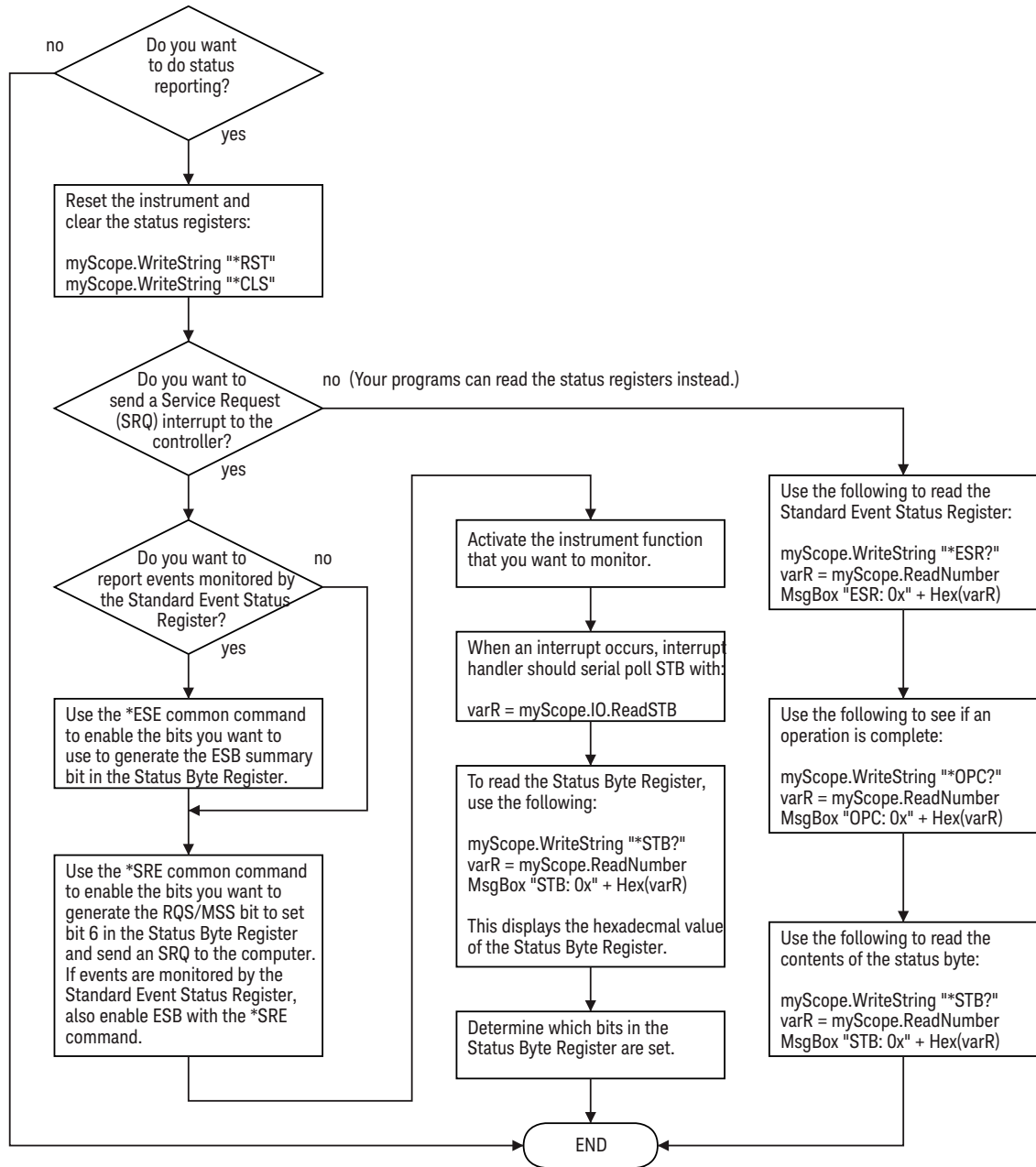
Name	Location	Description
Setup Complete	bit 0	Is set when the power analysis auto setup feature is complete.
Apply Complete	bit 1	Is set when the power analysis apply feature is complete.
Deskew Complete	bit 2	Is set when the power analysis deskew is complete.

The :PWRRegister[:EVENT]? query returns the value of, and clears, the Power Event Event Register.

## Clearing Registers and Queues

The \*CLS common command clears all event registers and all queues except the output queue. If \*CLS is sent immediately after a program message terminator, the output queue is also cleared.

## Status Reporting Decision Chart





# 38 Synchronizing Acquisitions

Synchronization in the Programming Flow / 1162

Blocking Synchronization / 1163

Polling Synchronization With Timeout / 1164

Synchronizing with a Single-Shot Device Under Test (DUT) / 1166

Synchronization with an Averaging Acquisition / 1168

When remotely controlling an oscilloscope with programming commands, it is often necessary to know when the oscilloscope has finished the previous operation and is ready for the next command. The most common example is when an acquisition is started using the :DIGitize, :RUN, or :SINGle commands. Before a measurement result can be queried, the acquisition must complete. Too often fixed delays are used to accomplish this wait, but fixed delays often use excessive time or the time may not be long enough. A better solution is to use synchronous commands and status to know when the oscilloscope is ready for the next request.

## Synchronization in the Programming Flow

Most remote programming follows these three general steps:

- 1 Set up the oscilloscope and device under test (see [page 1162](#)).
- 2 Acquire a waveform (see [page 1162](#)).
- 3 Retrieve results (see [page 1162](#)).

### Set Up the Oscilloscope

Before making changes to the oscilloscope setup, it is best to make sure it is stopped using the :STOP command followed by the \*OPC? query.

#### NOTE

It is not necessary to use \*OPC?, hard coded waits, or status checking when setting up the oscilloscope. After the oscilloscope is configured, it is ready for an acquisition.

### Acquire a Waveform

When acquiring a waveform there are two possible methods used to wait for the acquisition to complete. These methods are blocking and polling. The table below details when each method should be chosen and why.

	Blocking Wait	Polling Wait
<b>Use When</b>	You know the oscilloscope <i>will</i> trigger based on the oscilloscope setup and device under test.	You know the oscilloscope <i>may or may not</i> trigger on the oscilloscope setup and device under test.
<b>Advantages</b>	No need for polling. Fastest method.	Remote interface will not timeout No need for device clear if no trigger.
<b>Disadvantages</b>	Remote interface may timeout. Device clear only way to get control of oscilloscope if there is no trigger.	Slower method. Requires polling loop. Requires known maximum wait time.
<b>Implementation Details</b>	See " <a href="#">Blocking Synchronization</a> " on page 1163.	See " <a href="#">Polling Synchronization With Timeout</a> " on page 1164.

### Retrieve Results

Once the acquisition is complete, it is safe to retrieve measurements and statistics.

## Blocking Synchronization

Use the :DIGitize command to start the acquisition. This blocks subsequent queries until the acquisition and processing is complete. For example:

```
'
' Synchronizing acquisition using blocking.
' =====

Option Explicit

Public myMgr As VisaComLib.ResourceManager
Public myScope As VisaComLib.FormattedIO488
Public varQueryResult As Variant
Public strQueryResult As String

Sub Main()

    On Error GoTo VisaComError

    ' Create the VISA COM I/O resource.
    Set myMgr = New VisaComLib.ResourceManager
    Set myScope = New VisaComLib.FormattedIO488
    Set myScope.IO = myMgr.Open("TCPIP0::130.29.69.12::inst0::INSTR")
    myScope.IO.Clear ' Clear the interface.

    ' Set up.
    ' -----
    myScope.WriteString ":TRIGger:MODE EDGE"
    myScope.WriteString ":TRIGger:EDGE:LEVel 2"
    myScope.WriteString ":TIMEbase:SCALE 5e-8"

    ' Acquire.
    ' -----
    myScope.WriteString ":DIGitize"

    ' Get results.
    ' -----
    myScope.WriteString ":MEASure:RISetime"
    myScope.WriteString ":MEASure:RISetime?"
    varQueryResult = myScope.ReadNumber ' Read risetime.
    Debug.Print "Risetime: " + _
        FormatNumber(varQueryResult * 1000000000, 1) + " ns"

    Exit Sub

VisaComError:
    MsgBox "VISA COM Error:" + vbCrLf + Err.Description

End Sub
```

## Polling Synchronization With Timeout

This example requires a timeout value so the operation can abort if an acquisition does not occur within the timeout period:

```
'
' Synchronizing acquisition using polling.
' =====

Option Explicit

Public myMgr As VisaComLib.ResourceManager
Public myScope As VisaComLib.FormattedIO488
Public varQueryResult As Variant
Public strQueryResult As String

Private Declare Sub Sleep Lib "kernel32" (ByVal dwMilliseconds As Long)

Sub Main()

    On Error GoTo VisaComError

    ' Create the VISA COM I/O resource.
    Set myMgr = New VisaComLib.ResourceManager
    Set myScope = New VisaComLib.FormattedIO488
    Set myScope.IO = myMgr.Open("TCPIP0::130.29.69.12::inst0::INSTR")
    myScope.IO.Clear ' Clear the interface.

    ' Set up.
    ' -----
    ' Set up the trigger and horizontal scale.
    myScope.WriteString ":TRIGger:MODE EDGE"
    myScope.WriteString ":TRIGger:EDGE:LEVel 2"
    myScope.WriteString ":TIMEbase:SCALE 5e-8"

    ' Stop acquisitions and wait for the operation to complete.
    myScope.WriteString ":STOP"
    myScope.WriteString "*OPC?"
    strQueryResult = myScope.ReadString

    ' Acquire.
    ' -----
    ' Start a single acquisition.
    myScope.WriteString ":SINGle"

    ' Oscilloscope is armed and ready, enable DUT here.
    Debug.Print "Oscilloscope is armed and ready, enable DUT."

    ' Look for RUN bit = stopped (acquisition complete).
    Dim lngTimeout As Long ' Max millisecs to wait for single-shot.
    Dim lngElapsed As Long
    lngTimeout = 10000 ' 10 seconds.
    lngElapsed = 0

    Do While lngElapsed <= lngTimeout
```

```

myScope.WriteString ":OPERRegister:CONDition?"
varQueryResult = myScope.ReadNumber
' Mask RUN bit (bit 3, &H8).
If (varQueryResult And &H8) = 0 Then
    Exit Do
Else
    Sleep 100 ' Small wait to prevent excessive queries.
    lngElapsed = lngElapsed + 100
End If
Loop

' Get results.
' -----
If lngElapsed < lngTimeout Then
    myScope.WriteString ":MEASure:RISetime"
    myScope.WriteString ":MEASure:RISetime?"
    varQueryResult = myScope.ReadNumber ' Read risetime.
    Debug.Print "Risetime: " + _
        FormatNumber(varQueryResult * 1000000000, 1) + " ns"
Else
    Debug.Print "Timeout waiting for single-shot trigger."
End If

Exit Sub

VisaComError:
    MsgBox "VISA COM Error:" + vbCrLf + Err.Description

End Sub

```

## Synchronizing with a Single-Shot Device Under Test (DUT)

The examples in **"Blocking Synchronization"** on page 1163 and **"Polling Synchronization With Timeout"** on page 1164 assume the DUT is continually running and therefore the oscilloscope will have more than one opportunity to trigger. With a single shot DUT, there is only one opportunity for the oscilloscope to trigger, so it is necessary for the oscilloscope to be armed and ready before the DUT is enabled.

### NOTE

The blocking :DIGitize command cannot be used for a single shot DUT because once the :DIGitize command is issued, the oscilloscope is blocked from any further commands until the acquisition is complete.

This example is the same **"Polling Synchronization With Timeout"** on page 1164 with the addition of checking for the armed event status.

```
'
' Synchronizing single-shot acquisition using polling.
' =====

Option Explicit

Public myMgr As VisaComLib.ResourceManager
Public myScope As VisaComLib.FormattedIO488
Public varQueryResult As Variant
Public strQueryResult As String

Private Declare Sub Sleep Lib "kernel32" (ByVal dwMilliseconds As Long)

Sub Main()

    On Error GoTo VisaComError

    ' Create the VISA COM I/O resource.
    Set myMgr = New VisaComLib.ResourceManager
    Set myScope = New VisaComLib.FormattedIO488
    Set myScope.IO = myMgr.Open("TCPIP0::130.29.69.12::inst0::INSTR")
    myScope.IO.Clear ' Clear the interface.

    ' Set up.
    ' -----
    ' Set up the trigger and horizontal scale.
    myScope.WriteString ":TRIGger:MODE EDGE"
    myScope.WriteString ":TRIGger:EDGE:LEVel 2"
    myScope.WriteString ":TIMEbase:SCALE 5e-8"

    ' Stop acquisitions and wait for the operation to complete.
    myScope.WriteString ":STOP"
    myScope.WriteString "*OPC?"
    strQueryResult = myScope.ReadString

    ' Acquire.
```

```

' -----
' Start a single acquisition.
myScope.WriteString ":SINGLE"

' Wait until the trigger system is armed.
Do
  Sleep 100 ' Small wait to prevent excessive queries.
  myScope.WriteString ":AER?"
  varQueryResult = myScope.ReadNumber
Loop Until varQueryResult = 1

' Oscilloscope is armed and ready, enable DUT here.
Debug.Print "Oscilloscope is armed and ready, enable DUT."

' Now, look for RUN bit = stopped (acquisition complete).
Dim lngTimeout As Long ' Max millisecs to wait for single-shot.
Dim lngElapsed As Long
lngTimeout = 10000 ' 10 seconds.
lngElapsed = 0

Do While lngElapsed <= lngTimeout
  myScope.WriteString ":OPERRegister:CONDITION?"
  varQueryResult = myScope.ReadNumber
  ' Mask RUN bit (bit 3, &H8).
  If (varQueryResult And &H8) = 0 Then
    Exit Do
  Else
    Sleep 100 ' Small wait to prevent excessive queries.
    lngElapsed = lngElapsed + 100
  End If
Loop

' Get results.
' -----
If lngElapsed < lngTimeout Then
  myScope.WriteString ":MEASure:RISetime"
  myScope.WriteString ":MEASure:RISetime?"
  varQueryResult = myScope.ReadNumber ' Read risetime.
  Debug.Print "Risetime: " + _
    FormatNumber(varQueryResult * 1000000000, 1) + " ns"
Else
  Debug.Print "Timeout waiting for single-shot trigger."
End If

Exit Sub

VisaComError:
  MsgBox "VISA COM Error:" + vbCrLf + Err.Description

End Sub

```

## Synchronization with an Averaging Acquisition

When averaging, it is necessary to know when the average count has been reached. The :SINGle command does not average.

If it is known that a trigger will occur, a :DIGitize will acquire the complete number of averages, but if the number of averages is large, a timeout on the connection can occur.

The example below polls during the :DIGitize to prevent a timeout on the connection.

```
'
' Synchronizing in averaging acquisition mode.
' =====

Option Explicit

Public myMgr As VisaComLib.ResourceManager
Public myScope As VisaComLib.FormattedIO488
Public varQueryResult As Variant
Public strQueryResult As String

Private Declare Sub Sleep Lib "kernel32" (ByVal dwMilliseconds As Long)

Sub Main()

    On Error GoTo VisaComError

    ' Create the VISA COM I/O resource.
    Set myMgr = New VisaComLib.ResourceManager
    Set myScope = New VisaComLib.FormattedIO488
    Set myScope.IO = myMgr.Open("TCPIP0::130.29.69.12::inst0::INSTR")
    myScope.IO.Clear ' Clear the interface.
    myScope.IO.Timeout = 5000

    ' Set up.
    ' -----
    ' Set up the trigger and horizontal scale.
    myScope.WriteString ":TRIGger:SWEep NORMal"
    myScope.WriteString ":TRIGger:MODE EDGE"
    myScope.WriteString ":TRIGger:EDGE:LEVel 2"
    myScope.WriteString ":TIMEbase:SCALE 5e-8"

    ' Stop acquisitions and wait for the operation to complete.
    myScope.WriteString ":STOP"
    myScope.WriteString "*OPC?"
    strQueryResult = myScope.ReadString

    ' Set up average acquisition mode.
    Dim lngAverages As Long
    lngAverages = 256
    myScope.WriteString ":ACQuire:COUNT " + CStr(lngAverages)
    myScope.WriteString ":ACQuire:TYPE AVERAge"
```



```

' Save *ESE (Standard Event Status Enable register) mask
' (so it can be restored later).
Dim varInitialESE As Variant
myScope.WriteString "*ESE?"
varInitialESE = myScope.ReadNumber

' Set *ESE mask to allow only OPC (Operation Complete) bit.
myScope.WriteString "*ESE " + CStr(CInt("&H01"))

' Acquire using :DIGitize. Set up OPC bit to be set when the
' operation is complete.
' -----
myScope.WriteString ":DIGitize"
myScope.WriteString "*OPC"

' Assume the oscilloscope will trigger, if not put a check here.

' Wait until OPC becomes true (bit 5 of Status Byte register, STB,
' from Standard Event Status register, ESR, is set). STB can be
' read during :DIGitize without generating a timeout.
Do
Sleep 4000 ' Poll more often than the timeout setting.
varQueryResult = myScope.IO.ReadSTB
Loop While (varQueryResult And &H20) = 0

' Clear ESR and restore previously saved *ESE mask.
myScope.WriteString "*ESR?" ' Clear ESR by reading it.
varQueryResult = myScope.ReadNumber
myScope.WriteString "*ESE " + CStr(varInitialESE)

' Get results.
' -----
myScope.WriteString ":WAVEform:COUNT?"
varQueryResult = myScope.ReadNumber
Debug.Print "Averaged waveforms: " + CStr(varQueryResult)

myScope.WriteString ":MEASure:RISetime"
myScope.WriteString ":MEASure:RISetime?"
varQueryResult = myScope.ReadNumber ' Read risetime.
Debug.Print "Risetime: " + _
FormatNumber(varQueryResult * 1000000000, 1) + " ns"

Exit Sub

VisaComError:
MsgBox "VISA COM Error:" + vbCrLf + Err.Description

End Sub

```



# 39 More About Oscilloscope Commands

Command Classifications / 1172

Valid Command/Query Strings / 1173

Query Return Values / 1179

Sequential vs. Overlapped Commands / 1180

## Command Classifications

To help you use existing programs with your oscilloscope, or use current programs with the next generation of Keysight InfiniiVision oscilloscopes, commands are classified by the following categories:

- **"Core Commands"** on page 1172
- **"Non-Core Commands"** on page 1172
- **"Obsolete Commands"** on page 1172

### **C** Core Commands

Core commands are a common set of commands that provide basic oscilloscope functionality on this oscilloscope and future Keysight InfiniiVision oscilloscopes. Core commands are unlikely to be modified in the future. If you restrict your programs to core commands, the programs should work across product offerings in the future, assuming appropriate programming methods are employed.

### **N** Non-Core Commands

Non-core commands are commands that provide specific features, but are not universal across all Keysight InfiniiVision oscilloscope models. Non-core commands may be modified or deleted in the future. With a command structure as complex as the one for your oscilloscope, some evolution over time is inevitable. Keysight's intent is to continue to expand command subsystems, such as the rich and evolving trigger feature set.

### **O** Obsolete Commands

Obsolete commands are older forms of commands that are provided to reduce customer rework for existing systems and programs. Generally, these commands are mapped onto some of the Core and Non-core commands, but may not strictly have the same behavior as the new command. None of the obsolete commands are guaranteed to remain functional in future products. New systems and programs should use the Core (and Non-core) commands. Obsolete commands are listed in:

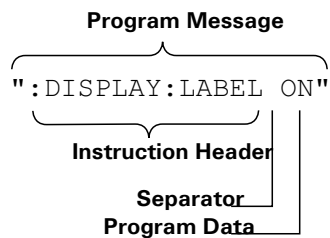
- **Chapter 35**, "Obsolete and Discontinued Commands," starting on page 1079

## Valid Command/Query Strings

- **"Program Message Syntax"** on page 1173
- **"Duplicate Mnemonics"** on page 1177
- **"Tree Traversal Rules and Multiple Commands"** on page 1177

### Program Message Syntax

To program the instrument remotely, you must understand the command format and structure expected by the instrument. The IEEE 488.2 syntax rules govern how individual elements such as headers, separators, program data, and terminators may be grouped together to form complete instructions. Syntax definitions are also given to show how query responses are formatted. The following figure shows the main syntactical parts of a typical program statement.



Instructions (both commands and queries) normally appear as a string embedded in a statement of your host language, such as Visual Basic or C/C++. The only time a parameter is not meant to be expressed as a string is when the instruction's syntax definition specifies `<block data>`, such as `<learn string>`. There are only a few instructions that use block data.

Program messages can have long or short form commands (and data in some cases – see **"Long Form to Short Form Truncation Rules"** on page 1174), and upper and/or lower case ASCII characters may be used. (Query responses, however, are always returned in upper case.)

Instructions are composed of two main parts:

- The header, which specifies the command or query to be sent.
- The program data, which provide additional information needed to clarify the meaning of the instruction.

#### Instruction Header

The instruction header is one or more mnemonics separated by colons (:) that represent the operation to be performed by the instrument.

`:DISPlay:LABel ON` is a command. Queries are indicated by adding a question mark (?) to the end of the header, for example, `:DISPlay:LABel?`. Many instructions can be used as either commands or queries, depending on whether or

not you have included the question mark. The command and query forms of an instruction usually have different program data. Many queries do not use any program data.

There are three types of headers:

- **"Simple Command Headers"** on page 1175
- **"Compound Command Headers"** on page 1175
- **"Common Command Headers"** on page 1175

**White Space (Separator)** White space is used to separate the instruction header from the program data. If the instruction does not require any program data parameters, you do not need to include any white space. White space is defined as one or more space characters. ASCII defines a space to be character 32 (in decimal).

**Program Data** Program data are used to clarify the meaning of the command or query. They provide necessary information, such as whether a function should be on or off, or which waveform is to be displayed. Each instruction's syntax definition shows the program data, as well as the values they accept. **"Program Data Syntax Rules"** on page 1176 describes all of the general rules about acceptable values.

When there is more than one data parameter, they are separated by commas(.). Spaces can be added around the commas to improve readability.

**Program Message Terminator** The program instructions within a data message are executed after the program message terminator is received. The terminator may be either an NL (New Line) character, an EOI (End-Of-Identify) asserted in the programming interface, or a combination of the two. Asserting the EOI sets the EOI control line low on the last byte of the data message. The NL character is an ASCII linefeed (decimal 10).

#### NOTE

**New Line Terminator Functions.** The NL (New Line) terminator has the same function as an EOS (End Of String) and EOT (End Of Text) terminator.

### Long Form to Short Form Truncation Rules

To get the short form of a command/keyword:

- When the command/keyword is longer than four characters, use the first four characters of the command/keyword unless the fourth character is a vowel; when the fourth character is a vowel, use the first three characters of the command/keyword.
- When the command/keyword is four or fewer characters, use all of the characters.

Long Form	Short form
RANGe	RANG
PATTerN	PATT

Long Form	Short form
TIMebase	TIM
DELaY	DEL
TYPE	TYPE

In the oscilloscope programmer's documentation, the short form of a command is indicated by uppercase characters.

Programs written in long form are easily read and are almost self-documenting. The short form syntax conserves the amount of controller memory needed for program storage and reduces I/O activity.

### Simple Command Headers

Simple command headers contain a single mnemonic. :AUToscale and :DIGitize are examples of simple command headers typically used in the oscilloscope. The syntax is:

```
<program mnemonic><terminator>
```

Simple command headers must occur at the beginning of a program message; if not, they must be preceded by a colon.

When program data must be included with the simple command header (for example, :DIGitize CHANnel1), white space is added to separate the data from the header. The syntax is:

```
<program mnemonic><separator><program data><terminator>
```

### Compound Command Headers

Compound command headers are a combination of two or more program mnemonics. The first mnemonic selects the subsystem, and the second mnemonic selects the function within that subsystem. The mnemonics within the compound message are separated by colons. For example, to execute a single function within a subsystem:

```
:<subsystem>:<function><separator><program data><terminator>
```

For example, :CHANnel1:BWLlimit ON

### Common Command Headers

Common command headers control IEEE 488.2 functions within the instrument (such as clear status). Their syntax is:

```
*<command header><terminator>
```

No space or separator is allowed between the asterisk (\*) and the command header. \*CLS is an example of a common command header.

## Program Data Syntax Rules

Program data is used to convey a parameter information related to the command header. At least one space must separate the command header or query header from the program data.

```
<program mnemonic><separator><data><terminator>
```

When a program mnemonic or query has multiple program data, a comma separates sequential program data.

```
<program mnemonic><separator><data>,<data><terminator>
```

For example, :MEASure:DELay CHANnel1,CHANnel2 has two program data: CHANnel1 and CHANnel2.

Two main types of program data are used in commands: character and numeric.

### Character Program Data

Character program data is used to convey parameter information as alpha or alphanumeric strings. For example, the :TIMEbase:MODE command can be set to normal, zoomed (delayed), XY, or ROLL. The character program data in this case may be MAIN, WINDow, XY, or ROLL. The command :TIMEbase:MODE WINDow sets the time base mode to zoomed.

The available mnemonics for character program data are always included with the command's syntax definition.

When sending commands, you may either the long form or short form (if one exists). Uppercase and lowercase letters may be mixed freely.

When receiving query responses, uppercase letters are used exclusively.

### Numeric Program Data

Some command headers require program data to be expressed numerically. For example, :TIMEbase:RANGe requires the desired full scale range to be expressed numerically.

For numeric program data, you have the option of using exponential notation or using suffix multipliers to indicate the numeric value. The following numbers are all equal:

$$28 = 0.28E2 = 280e-1 = 28000m = 0.028K = 28e-3K.$$

When a syntax definition specifies that a number is an integer, that means that the number should be whole. Any fractional part will be ignored, truncating the number. Numeric data parameters accept fractional values are called real numbers.

All numbers must be strings of ASCII characters. Thus, when sending the number 9, you would send a byte representing the ASCII code for the character 9 (which is 57). A three-digit number like 102 would take up three bytes (ASCII codes 49, 48, and 50). This is handled automatically when you include the entire instruction in a string.



## Duplicate Mnemonics

Identical function mnemonics can be used in more than one subsystem. For example, the function mnemonic RANGe may be used to change the vertical range or to change the horizontal range:

```
:CHANnel1:RANGe .4
```

Sets the vertical range of channel 1 to 0.4 volts full scale.

```
:TIMEbase:RANGe 1
```

Sets the horizontal time base to 1 second full scale.

:CHANnel1 and :TIMEbase are subsystem selectors and determine which range is being modified.

## Tree Traversal Rules and Multiple Commands

Command headers are created by traversing down the command tree. A legal command header would be :TIMEbase:RANGe. This is referred to as a *compound header*. A compound header is a header made of two or more mnemonics separated by colons. The mnemonic created contains no spaces.

The following rules apply to traversing the tree:

- A leading colon (<NL> or EOI true on the last byte) places the parser at the root of the command tree. A leading colon is a colon that is the first character of a program header. Executing a subsystem command lets you access that subsystem until a leading colon or a program message terminator (<NL>) or EOI true is found.
- In the command tree, use the last mnemonic in the compound header as the reference point (for example, RANGe). Then find the last colon above that mnemonic (TIMEbase:). That is the point where the parser resides. Any command below that point can be sent within the current program message without sending the mnemonics which appear above them (for example, POSition).

The output statements in the examples are written using the Keysight VISA COM library in Visual Basic. The quoted string is placed on the bus, followed by a carriage return and linefeed (CRLF).

To execute more than one function within the same subsystem, separate the functions with a semicolon (;):

```
:<subsystem>:<function><separator><data>;<function><separator><data><terminator>
```

For example:

```
myScope.WriteString ":TIMEbase:RANGe 0.5;POSition 0"
```

**NOTE**

The colon between TIMEbase and RANGE is necessary because TIMEbase:RANGE is a compound command. The semicolon between the RANGE command and the POSition command is the required program message unit separator. The POSition command does not need TIMEbase preceding it because the TIMEbase:RANGE command sets the parser to the TIMEbase node in the tree.

**Example 2:**  
Program Message  
Terminator Sets  
Parser Back to  
Root

```
myScope.WriteString ":TIMEbase:REfERENCE CENTER;POSition 0.00001"
or
myScope.WriteString ":TIMEbase:REfERENCE CENTER"
myScope.WriteString ":TIMEbase:POSition 0.00001"
```

**NOTE**

In the first line of example 2, the subsystem selector is implied for the POSition command in the compound command. The POSition command must be in the same program message as the REfERENCE command because the program message terminator places the parser back at the root of the command tree.

A second way to send these commands is by placing TIMEbase: before the POSition command as shown in the second part of example 2. The space after POSition is required.

**Example 3:**  
Selecting Multiple  
Subsystems

You can send multiple program commands and program queries for different subsystems on the same line by separating each command with a semicolon. The colon following the semicolon enables you to enter a new subsystem. For example:

```
<program mnemonic><data>;:<program mnemonic><data><terminator>
```

For example:

```
myScope.WriteString ":TIMEbase:REfERENCE CENTER;:DISPlay:VECTors ON"
```

**NOTE**

The leading colon before DISPlay:VECTors ON tells the parser to go back to the root of the command tree. The parser can then see the DISPlay:VECTors ON command. The space between REfERENCE and CENter is required; so is the space between VECTors and ON.

Multiple commands may be any combination of compound and simple commands.

## Query Return Values

Command headers immediately followed by a question mark (?) are queries. Queries are used to get results of measurements made by the instrument or to find out how the instrument is currently configured.

After receiving a query, the instrument interrogates the requested function and places the answer in its output queue. The answer remains in the output queue until it is read or another command is issued.

When read, the answer is transmitted across the bus to the designated listener (typically a controller). For example, the query :TIMEbase:RANGe? places the current time base setting in the output queue. When using the Keysight VISA COM library in Visual Basic, the controller statements:

```
Dim strQueryResult As String
myScope.WriteString ":TIMEbase:RANGe?"
strQueryResult = myScope.ReadString
```

pass the value across the bus to the controller and place it in the variable strQueryResult.

### NOTE

**Read Query Results Before Sending Another Command.** Sending another command or query before reading the result of a query clears the output buffer (the current response) and places a Query INTERRUPTED error in the error queue.

---

<b>Infinity Representation</b>	The representation of infinity is +9.9E+37. This is also the value returned when a measurement cannot be made.
--------------------------------	--

## Sequential vs. Overlapped Commands

IEEE 488.2 makes the distinction between sequential and overlapped commands:

- *Sequential commands* finish their task before the execution of the next command starts.

Most oscilloscope commands are sequential.

- *Overlapped commands* run concurrently. Commands following an overlapped command may be started before the overlapped command is completed.

Some oscilloscope commands are overlapped. For example, the oscilloscope's save and recall commands are overlapped as well as some commands that perform analysis.

With overlapped commands, you can use the \*OPC? query to prevent any more commands from being executed until the overlapped command is complete. This may be necessary when a command that follows an overlapped command interferes with the overlapped command's processing or analysis. For example:

```
:WMEmory1:SAVE CHAN1;*OPC?;:WMEmory2:SAVE CHAN2
```

You can also use the \*ESR? query to look at the OPC bit (bit 0) in the Standard Event Status Register to determine when an operation is complete.

- See Also**
- **"\*OPC (Operation Complete)"** on page 183
  - **"\*ESR (Standard Event Status Register)"** on page 179

# 40 Programming Examples

VISA COM Examples / 1182

VISA Examples / 1215

VISA.NET Examples / 1262

SICL Examples / 1275

SCPI.NET Examples / 1295

Example programs are ASCII text files that can be cut from the help file and pasted into your favorite text editor.

- See Also**
- You can find additional programming examples for the InfiniiVision 3000 X-Series oscilloscopes on the Keysight Technologies website at: [www.keysight.com/find/3000X-Series-examples](http://www.keysight.com/find/3000X-Series-examples)

## VISA COM Examples

- ["VISA COM Example in Visual Basic"](#) on page 1182
- ["VISA COM Example in C#"](#) on page 1191
- ["VISA COM Example in Visual Basic .NET"](#) on page 1200
- ["VISA COM Example in Python 3"](#) on page 1208

### VISA COM Example in Visual Basic

To run this example in Visual Basic for Applications (VBA):

- 1 Start the application that provides Visual Basic for Applications (for example, Microsoft Excel).
- 2 Press ALT+F11 to launch the Visual Basic editor.
- 3 Reference the Keysight VISA COM library:
  - a Choose **Tools > References...** from the main menu.
  - b In the References dialog, check the "VISA COM 5.9 Type Library".
  - c Click **OK**.
- 4 Choose **Insert > Module**.
- 5 Cut-and-paste the code that follows into the editor.
- 6 Edit the program to use the VISA address of your oscilloscope, and save the changes.
- 7 Run the program.

```
'
' Keysight VISA COM Example in Visual Basic
' -----
' This program illustrates a few commonly-used programming
' features of your Keysight oscilloscope.
' -----

Option Explicit

Public myMgr As VisaComLib.ResourceManager
Public myScope As VisaComLib.FormattedIO488
Public varQueryResult As Variant
Public strQueryResult As String

' For Sleep subroutine.
Private Declare Sub Sleep Lib "kernel32" (ByVal dwMilliseconds As Long)

'
' Main Program
' -----

Sub Main()
```

```

On Error GoTo VisaComError

' Create the VISA COM I/O resource.
Set myMgr = New VisaComLib.ResourceManager
Set myScope = New VisaComLib.FormattedIO488
Set myScope.IO = _
    myMgr.Open("USB0::0x0957::0x17A6::US50210029::0::INSTR")
myScope.IO.Clear ' Clear the interface.
myScope.IO.Timeout = 10000 ' Set I/O communication timeout.

' Initialize - start from a known state.
Initialize

' Capture data.
Capture

' Analyze the captured waveform.
Analyze

Exit Sub

VisaComError:
MsgBox "VISA COM Error:" + vbCrLf + Err.Description
End

End Sub

'
' Initialize the oscilloscope to a known state.
' -----

Private Sub Initialize()

On Error GoTo VisaComError

' Get and display the device's *IDN? string.
strQueryResult = DoQueryString("*IDN?")
Debug.Print "Identification string: " + strQueryResult

' Clear status and load the default setup.
DoCommand "*CLS"
DoCommand "*RST"

Exit Sub

VisaComError:
MsgBox "VISA COM Error:" + vbCrLf + Err.Description
End

End Sub

'
' Capture the waveform.
' -----

Private Sub Capture()

```

```

On Error GoTo VisaComError

' Use auto-scale to automatically configure oscilloscope.
' -----
DoCommand ":AUToscale"

' Set trigger mode (EDGE, PULSe, PATtern, etc., and input source.
DoCommand ":TRIGger:MODE EDGE"
Debug.Print "Trigger mode: " + _
    DoQueryString(":TRIGger:MODE?")

' Set EDGE trigger parameters.
DoCommand ":TRIGger:EDGE:SOURce CHANnel1"
Debug.Print "Trigger edge source: " + _
    DoQueryString(":TRIGger:EDGE:SOURce?")

DoCommand ":TRIGger:EDGE:LEVel 1.5"
Debug.Print "Trigger edge level: " + _
    DoQueryString(":TRIGger:EDGE:LEVel?")

DoCommand ":TRIGger:EDGE:SLOPe POSitive"
Debug.Print "Trigger edge slope: " + _
    DoQueryString(":TRIGger:EDGE:SLOPe?")

' Save oscilloscope configuration.
' -----
varQueryResult = DoQueryIEEEBlock_UI1(":SYSTem:SETup?")

' Output setup string to a file:
Dim strPath As String
strPath = "c:\scope\config\setup.dat"
Dim hFile As Long
hFile = FreeFile
Open strPath For Binary Access Write Lock Write As hFile
Put hFile, , varQueryResult ' Write data.
Close hFile ' Close file.
Debug.Print "Setup bytes saved: " + CStr(LenB(varQueryResult))

' Change settings with individual commands:
' -----

' Set vertical scale and offset.
DoCommand ":CHANnel1:SCALe 0.05"
Debug.Print "Channel 1 vertical scale: " + _
    DoQueryString(":CHANnel1:SCALe?")

DoCommand ":CHANnel1:OFFSet -1.5"
Debug.Print "Channel 1 vertical offset: " + _
    DoQueryString(":CHANnel1:OFFSet?")

' Set horizontal scale and offset.
DoCommand ":TIMEbase:SCALe 0.0002"
Debug.Print "Timebase scale: " + _
    DoQueryString(":TIMEbase:SCALe?")

DoCommand ":TIMEbase:POSition 0.0"
Debug.Print "Timebase position: " + _

```



```

        DoQueryString(":TIMEbase:POSition?")

' Set the acquisition type (NORMAL, PEAK, AVERAGE, or HRESOLUTION).
DoCommand ":ACQUIRE:TYPE NORMAL"
Debug.Print "Acquire type: " + _
    DoQueryString(":ACQUIRE:TYPE?")

' Or, configure by loading a previously saved setup.
' -----
Dim varSetupString As Variant
strPath = "c:\scope\config\setup.dat"
Open strPath For Binary Access Read As hFile ' Open file for input.
Get hFile, , varSetupString ' Read data.
Close hFile ' Close file.
' Write learn string back to oscilloscope using ":SYSTEM:SETUP"
' command:
DoCommandIEEEBlock ":SYSTEM:SETUP", varSetupString
Debug.Print "Setup bytes restored: " + CStr(LenB(varSetupString))

' Capture an acquisition using :DIGITIZE.
' -----
DoCommand ":DIGITIZE CHANNEL1"

Exit Sub

VisaComError:
    MsgBox "VISA COM Error:" + vbCrLf + Err.Description
End

End Sub

'
' Analyze the captured waveform.
' -----

Private Sub Analyze()

    On Error GoTo VisaComError

' Make a couple of measurements.
' -----
DoCommand ":MEASURE:SOURCE CHANNEL1"
Debug.Print "Measure source: " + _
    DoQueryString(":MEASURE:SOURCE?")

DoCommand ":MEASURE:FREQUENCY"
varQueryResult = DoQueryNumber(":MEASURE:FREQUENCY?")
MsgBox "Frequency:" + vbCrLf + _
    FormatNumber(varQueryResult / 1000, 4) + " kHz"

DoCommand ":MEASURE:VAMPLITUDE"
varQueryResult = DoQueryNumber(":MEASURE:VAMPLITUDE?")
MsgBox "Vertical amplitude:" + vbCrLf + _
    FormatNumber(varQueryResult, 4) + " V"

' Download the screen image.

```

```

' -----
' Get screen image.
DoCommand ":HARDcopy:INKSaver OFF"
Dim byteData() As Byte
byteData = DoQueryIEEEBlock_UI1(":DISPlay:DATA? PNG, COlor")

' Save screen image to a file.
Dim strPath As String
strPath = "c:\scope\data\screen.png"
If Len(Dir(strPath)) Then
    Kill strPath ' Remove file if it exists.
End If

Dim hFile As Long
hFile = FreeFile
Open strPath For Binary Access Write Lock Write As hFile
Put hFile, , byteData ' Write data.
Close hFile ' Close file.
MsgBox "Screen image (" + CStr(UBound(byteData) + 1) + _
    " bytes) written to " + strPath

' Download waveform data.
' -----

' Set the waveform points mode.
DoCommand ":WAVEform:POINts:MODE RAW"
Debug.Print "Waveform points mode: " + _
    DoQueryString(":WAVEform:POINts:MODE?")

' Get the number of waveform points available.
Debug.Print "Waveform points available: " + _
    DoQueryString(":WAVEform:POINts?")

' Set the waveform source.
DoCommand ":WAVEform:SOURce CHANnel1"
Debug.Print "Waveform source: " + _
    DoQueryString(":WAVEform:SOURce?")

' Choose the format of the data returned (WORD, BYTE, ASCII):
DoCommand ":WAVEform:FORMat BYTE"
Debug.Print "Waveform format: " + _
    DoQueryString(":WAVEform:FORMat?")

' Display the waveform settings:
Dim Preamble()
Dim intFormat As Integer
Dim intType As Integer
Dim lngPoints As Long
Dim lngCount As Long
Dim dblXIncrement As Double
Dim dblXOrigin As Double
Dim lngXReference As Long
Dim sngYIncrement As Single
Dim sngYOrigin As Single
Dim lngYReference As Long

```

```

Preamble() = DoQueryNumbers(":WAVEform:PREamble?")

intFormat = Preamble(0)
intType = Preamble(1)
lngPoints = Preamble(2)
lngCount = Preamble(3)
dblXIncrement = Preamble(4)
dblXOrigin = Preamble(5)
lngXReference = Preamble(6)
sngYIncrement = Preamble(7)
sngYOrigin = Preamble(8)
lngYReference = Preamble(9)

If intFormat = 0 Then
    Debug.Print "Waveform format: BYTE"
ElseIf intFormat = 1 Then
    Debug.Print "Waveform format: WORD"
ElseIf intFormat = 4 Then
    Debug.Print "Waveform format: ASCII"
End If

If intType = 0 Then
    Debug.Print "Acquisition type: NORMAL"
ElseIf intType = 1 Then
    Debug.Print "Acquisition type: PEAK"
ElseIf intType = 2 Then
    Debug.Print "Acquisition type: AVERAGE"
ElseIf intType = 3 Then
    Debug.Print "Acquisition type: HRESOLUTION"
End If

Debug.Print "Waveform points: " + _
    FormatNumber(lngPoints, 0)

Debug.Print "Waveform average count: " + _
    FormatNumber(lngCount, 0)

Debug.Print "Waveform X increment: " + _
    Format(dblXIncrement, "Scientific")

Debug.Print "Waveform X origin: " + _
    Format(dblXOrigin, "Scientific")

Debug.Print "Waveform X reference: " + _
    FormatNumber(lngXReference, 0)

Debug.Print "Waveform Y increment: " + _
    Format(sngYIncrement, "Scientific")

Debug.Print "Waveform Y origin: " + _
    FormatNumber(sngYOrigin, 0)

Debug.Print "Waveform Y reference: " + _
    FormatNumber(lngYReference, 0)

' Get the waveform data
varQueryResult = DoQueryIEEEBlock_UI1(":WAVEform:DATA?")

```

```

Debug.Print "Number of data values: " + _
    CStr(UBound(varQueryResult) + 1)

' Set up output file:
strPath = "c:\scope\data\waveform_data.csv"

' Open file for output.
Open strPath For Output Access Write Lock Write As hFile

' Output waveform data in CSV format.
Dim lngDataValue As Long
Dim lngI As Long

For lngI = 0 To UBound(varQueryResult)
    lngDataValue = varQueryResult(lngI)

    ' Write time value, voltage value.
    Print #hFile, _
        FormatNumber(dblXOrigin + (lngI * dblXIncrement), 9) + _
        ", " + _
        FormatNumber(((lngDataValue - lngYReference) * _
            sngYIncrement) + sngYOrigin)

Next lngI

' Close output file.
Close hFile ' Close file.
MsgBox "Waveform format BYTE data written to " + _
    "c:\scope\data\waveform_data.csv."

Exit Sub

VisaComError:
MsgBox "VISA COM Error:" + vbCrLf + Err.Description
End

End Sub

Private Sub DoCommand(command As String)

    On Error GoTo VisaComError

    myScope.WriteString command
    CheckInstrumentErrors

Exit Sub

VisaComError:
MsgBox "VISA COM Error: " + vbCrLf + CStr(Err.Number) + ", " + _
    Err.Source + ", " + _
    Err.Description, vbExclamation, "VISA COM Error"
End

End Sub

Private Sub DoCommandIEEEBlock(command As String, data As Variant)

```

```

On Error GoTo VisaComError

Dim strErrors As String

myScope.WriteIEEEBlock command, data
CheckInstrumentErrors

Exit Sub

VisaComError:
MsgBox "VISA COM Error: " + vbCrLf + CStr(Err.Number) + ", " + _
    Err.Source + ", " + _
    Err.Description, vbExclamation, "VISA COM Error"
End

End Sub

Private Function DoQueryString(query As String) As String

On Error GoTo VisaComError

myScope.WriteString query
DoQueryString = myScope.ReadString
CheckInstrumentErrors

Exit Function

VisaComError:
MsgBox "VISA COM Error: " + vbCrLf + CStr(Err.Number) + ", " + _
    Err.Source + ", " + _
    Err.Description, vbExclamation, "VISA COM Error"
End

End Function

Private Function DoQueryNumber(query As String) As Variant

On Error GoTo VisaComError

myScope.WriteString query
DoQueryNumber = myScope.ReadNumber
CheckInstrumentErrors

Exit Function

VisaComError:
MsgBox "VISA COM Error: " + vbCrLf + CStr(Err.Number) + ", " + _
    Err.Source + ", " + _
    Err.Description, vbExclamation, "VISA COM Error"
End

End Function

Private Function DoQueryNumbers(query As String) As Variant()

On Error GoTo VisaComError

```

```

Dim strErrors As String

myScope.WriteString query
DoQueryNumbers = myScope.ReadList
CheckInstrumentErrors

Exit Function

VisaComError:
MsgBox "VISA COM Error: " + vbCrLf + CStr(Err.Number) + ", " + _
    Err.Source + ", " + _
    Err.Description, vbExclamation, "VISA COM Error"
End

End Function

Private Function DoQueryIEEEBlock_UI1(query As String) As Variant

    On Error GoTo VisaComError

    myScope.WriteString query
    DoQueryIEEEBlock_UI1 = myScope.ReadIEEEBlock(BinaryType_UI1)
    CheckInstrumentErrors

    Exit Function

VisaComError:
MsgBox "VISA COM Error: " + vbCrLf + CStr(Err.Number) + ", " + _
    Err.Source + ", " + _
    Err.Description, vbExclamation, "VISA COM Error"
End

End Function

Private Sub CheckInstrumentErrors()

    On Error GoTo VisaComError

    Dim strErrVal As String
    Dim strOut As String

    myScope.WriteString ":SYSTEM:ERROR?" ' Query any errors data.
    strErrVal = myScope.ReadString ' Read: Errnum,"Error String".
    While Val(strErrVal) <> 0 ' End if find: 0,"No Error".
        strOut = strOut + "INST Error: " + strErrVal
        myScope.WriteString ":SYSTEM:ERROR?" ' Request error message.
        strErrVal = myScope.ReadString ' Read error message.
    Wend

    If Not strOut = "" Then
        MsgBox strOut, vbExclamation, "INST Error Messages"
        myScope.FlushWrite (False)
        myScope.FlushRead
    End If

Exit Sub

```

```

VisaComError:
    MsgBox "VISA COM Error: " + vbCrLf + Err.Description

End Sub

```

## VISA COM Example in C#

To compile and run this example in Microsoft Visual Studio 2008:

- 1 Open Visual Studio.
- 2 Create a new Visual C#, Windows, Console Application project.
- 3 Cut-and-paste the code that follows into the C# source file.
- 4 Edit the program to use the VISA address of your oscilloscope.
- 5 Add a reference to the VISA COM 5.9 Type Library:
  - a Right-click the project you wish to modify (not the solution) in the Solution Explorer window of the Microsoft Visual Studio environment.
  - b Choose **Add Reference...**
  - c In the Add Reference dialog, select the **COM** tab.
  - d Select **VISA COM 5.9 Type Library**; then click **OK**.
- 6 Build and run the program.

For more information, see the VISA COM Help that comes with Keysight IO Libraries Suite.

```

/*
 * Keysight VISA COM Example in C#
 * -----
 * This program illustrates a few commonly used programming
 * features of your Keysight oscilloscope.
 * -----
 */

using System;
using System.IO;
using System.Text;
using Ivi.Visa.Interop;
using System.Runtime.InteropServices;

namespace InfiniiVision
{
    class VisaComInstrumentApp
    {
        private static VisaComInstrument myScope;

        public static void Main(string[] args)
        {
            try
            {
                myScope = new

```

```

        VisaComInstrument("USB0::0x0957::0x17A6::US50210029::0::INSTR"
);
myScope.SetTimeoutSeconds(10);

// Initialize - start from a known state.
Initialize();

// Capture data.
Capture();

// Analyze the captured waveform.
Analyze();
}
catch (System.ApplicationException err)
{
    Console.WriteLine("*** VISA COM Error : " + err.Message);
}
catch (System.SystemException err)
{
    Console.WriteLine("*** System Error Message : " + err.Message);
}
catch (System.Exception err)
{
    System.Diagnostics.Debug.Fail("Unexpected Error");
    Console.WriteLine("*** Unexpected Error : " + err.Message);
}
finally
{
    myScope.Close();
}
}

/*
 * Initialize the oscilloscope to a known state.
 * -----
 */
private static void Initialize()
{
    string strResults;

    // Get and display the device's *IDN? string.
    strResults = myScope.DoQueryString("*IDN?");
    Console.WriteLine("*IDN? result is: {0}", strResults);

    // Clear status and load the default setup.
    myScope.DoCommand("*CLS");
    myScope.DoCommand("*RST");
}

/*
 * Capture the waveform.
 * -----
 */
private static void Capture()
{
    // Use auto-scale to automatically configure oscilloscope.
    myScope.DoCommand(":AUToscale");
}

```



```

// Set trigger mode (EDGE, PULSe, PATTeRn, etc., and input source.
myScope.DoCommand(":TRIGger:MODE EDGE");
Console.WriteLine("Trigger mode: {0}",
    myScope.DoQueryString(":TRIGger:MODE?"));

// Set EDGE trigger parameters.
myScope.DoCommand(":TRIGger:EDGE:SOURce CHANnel1");
Console.WriteLine("Trigger edge source: {0}",
    myScope.DoQueryString(":TRIGger:EDGE:SOURce?"));

myScope.DoCommand(":TRIGger:EDGE:LEVel 1.5");
Console.WriteLine("Trigger edge level: {0}",
    myScope.DoQueryString(":TRIGger:EDGE:LEVel?"));

myScope.DoCommand(":TRIGger:EDGE:SLOPe POSitive");
Console.WriteLine("Trigger edge slope: {0}",
    myScope.DoQueryString(":TRIGger:EDGE:SLOPe?"));

// Save oscilloscope configuration.
byte[] ResultsArray; // Results array.
int nLength; // Number of bytes returned from instrument.
string strPath;

// Query and read setup string.
ResultsArray = myScope.DoQueryIEEEBlock(":SYSTem:SETup?");
nLength = ResultsArray.Length;

// Write setup string to file.
strPath = "c:\\scope\\config\\setup.stp";
FileStream fStream = File.Open(strPath, FileMode.Create);
fStream.Write(ResultsArray, 0, nLength);
fStream.Close();
Console.WriteLine("Setup bytes saved: {0}", nLength);

// Change settings with individual commands:

// Set vertical scale and offset.
myScope.DoCommand(":CHANnel1:SCALe 0.05");
Console.WriteLine("Channel 1 vertical scale: {0}",
    myScope.DoQueryString(":CHANnel1:SCALe?"));

myScope.DoCommand(":CHANnel1:OFFSet -1.5");
Console.WriteLine("Channel 1 vertical offset: {0}",
    myScope.DoQueryString(":CHANnel1:OFFSet?"));

// Set horizontal scale and offset.
myScope.DoCommand(":TIMebase:SCALe 0.0002");
Console.WriteLine("Timebase scale: {0}",
    myScope.DoQueryString(":TIMebase:SCALe?"));

myScope.DoCommand(":TIMebase:POSition 0.0");
Console.WriteLine("Timebase position: {0}",
    myScope.DoQueryString(":TIMebase:POSition?"));

// Set the acquisition type (NORMal, PEAK, AVERage, or HRESolution
).

```

```

myScope.DoCommand(":ACquire:TYPE NORMal");
Console.WriteLine("Acquire type: {0}",
    myScope.DoQueryString(":ACquire:TYPE?"));

// Or, configure by loading a previously saved setup.
byte[] dataArray;
int nBytesWritten;

// Read setup string from file.
strPath = "c:\\scope\\config\\setup.stp";
dataArray = File.ReadAllBytes(strPath);
nBytesWritten = dataArray.Length;

// Restore setup string.
myScope.DoCommandIEEEBlock(":SYSTem:SETup", dataArray);
Console.WriteLine("Setup bytes restored: {0}", nBytesWritten);

// Capture an acquisition using :DIGitize.
myScope.DoCommand(":DIGitize CHANnel1");
}

/*
 * Analyze the captured waveform.
 * -----
 */
private static void Analyze()
{
    byte[] resultsArray; // Results array.
    int nLength; // Number of bytes returned from instrument.
    string strPath;

    // Make a couple of measurements.
    // -----
    myScope.DoCommand(":MEASure:SOURce CHANnel1");
    Console.WriteLine("Measure source: {0}",
        myScope.DoQueryString(":MEASure:SOURce?"));

    double fResult;
    myScope.DoCommand(":MEASure:FREQuency");
    fResult = myScope.DoQueryNumber(":MEASure:FREQuency?");
    Console.WriteLine("Frequency: {0:F4} kHz", fResult / 1000);

    myScope.DoCommand(":MEASure:VAMplitude");
    fResult = myScope.DoQueryNumber(":MEASure:VAMplitude?");
    Console.WriteLine("Vertical amplitude: {0:F2} V", fResult);

    // Download the screen image.
    // -----
    myScope.DoCommand(":HARDcopy:INKSaver OFF");

    // Get the screen data.
    resultsArray =
        myScope.DoQueryIEEEBlock(":DISPlay:DATA? PNG, COLor");
    nLength = resultsArray.Length;

    // Store the screen data to a file.
    strPath = "c:\\scope\\data\\screen.png";
}

```

```

FileStream fStream = File.Open(strPath, FileMode.Create);
fStream.Write(ResultsArray, 0, nLength);
fStream.Close();
Console.WriteLine("Screen image ({0} bytes) written to {1}",
    nLength, strPath);

// Download waveform data.
// -----

// Set the waveform points mode.
myScope.DoCommand(":WAVEform:POINTs:MODE RAW");
Console.WriteLine("Waveform points mode: {0}",
    myScope.DoQueryString(":WAVEform:POINTs:MODE?"));

// Get the number of waveform points available.
Console.WriteLine("Waveform points available: {0}",
    myScope.DoQueryString(":WAVEform:POINTs?"));

// Set the waveform source.
myScope.DoCommand(":WAVEform:SOURce CHANnel1");
Console.WriteLine("Waveform source: {0}",
    myScope.DoQueryString(":WAVEform:SOURce?"));

// Choose the format of the data returned (WORD, BYTE, ASCII):
myScope.DoCommand(":WAVEform:FORMat BYTE");
Console.WriteLine("Waveform format: {0}",
    myScope.DoQueryString(":WAVEform:FORMat?"));

// Display the waveform settings:
double[] fResultsArray;
fResultsArray = myScope.DoQueryNumbers(":WAVEform:PREAmble?");

double fFormat = fResultsArray[0];
if (fFormat == 0.0)
{
    Console.WriteLine("Waveform format: BYTE");
}
else if (fFormat == 1.0)
{
    Console.WriteLine("Waveform format: WORD");
}
else if (fFormat == 2.0)
{
    Console.WriteLine("Waveform format: ASCii");
}

double fType = fResultsArray[1];
if (fType == 0.0)
{
    Console.WriteLine("Acquire type: NORMAl");
}
else if (fType == 1.0)
{
    Console.WriteLine("Acquire type: PEAK");
}
else if (fType == 2.0)
{

```

```

        Console.WriteLine("Acquire type: AVERage");
    }
    else if (fType == 3.0)
    {
        Console.WriteLine("Acquire type: HRESolution");
    }

    double fPoints = fResultsArray[2];
    Console.WriteLine("Waveform points: {0:e}", fPoints);

    double fCount = fResultsArray[3];
    Console.WriteLine("Waveform average count: {0:e}", fCount);

    double fXincrement = fResultsArray[4];
    Console.WriteLine("Waveform X increment: {0:e}", fXincrement);

    double fXorigin = fResultsArray[5];
    Console.WriteLine("Waveform X origin: {0:e}", fXorigin);

    double fXreference = fResultsArray[6];
    Console.WriteLine("Waveform X reference: {0:e}", fXreference);

    double fYincrement = fResultsArray[7];
    Console.WriteLine("Waveform Y increment: {0:e}", fYincrement);

    double fYorigin = fResultsArray[8];
    Console.WriteLine("Waveform Y origin: {0:e}", fYorigin);

    double fYreference = fResultsArray[9];
    Console.WriteLine("Waveform Y reference: {0:e}", fYreference);

    // Read waveform data.
    ResultsArray = myScope.DoQueryIEEEBlock(":WAVEform:DATA?");
    nLength = ResultsArray.Length;
    Console.WriteLine("Number of data values: {0}", nLength);

    // Set up output file:
    strPath = "c:\\scope\\data\\waveform_data.csv";
    if (File.Exists(strPath)) File.Delete(strPath);

    // Open file for output.
    StreamWriter writer = File.CreateText(strPath);

    // Output waveform data in CSV format.
    for (int i = 0; i < nLength - 1; i++)
        writer.WriteLine("{0:f9}, {1:f6}",
            fXorigin + ((float)i * fXincrement),
            (((float)ResultsArray[i] - fYreference)
            * fYincrement) + fYorigin);

    // Close output file.
    writer.Close();
    Console.WriteLine("Waveform format BYTE data written to {0}",
        strPath);
}
}

```

```

class VisaComInstrument
{
    private ResourceManagerClass m_ResourceManager;
    private FormattedIO488Class m_IoObject;
    private string m_strVisaAddress;

    // Constructor.
    public VisaComInstrument(string strVisaAddress)
    {
        // Save VISA address in member variable.
        m_strVisaAddress = strVisaAddress;

        // Open the default VISA COM IO object.
        OpenIo();

        // Clear the interface.
        m_IoObject.IO.Clear();
    }

    public void DoCommand(string strCommand)
    {
        // Send the command.
        m_IoObject.WriteString(strCommand, true);

        // Check for inst errors.
        CheckInstrumentErrors(strCommand);
    }

    public void DoCommandIEEEBlock(string strCommand,
        byte[] dataArray)
    {
        // Send the command to the device.
        m_IoObject.WriteIEEEBlock(strCommand, dataArray, true);

        // Check for inst errors.
        CheckInstrumentErrors(strCommand);
    }

    public string DoQueryString(string strQuery)
    {
        // Send the query.
        m_IoObject.WriteString(strQuery, true);

        // Get the result string.
        string strResults;
        strResults = m_IoObject.ReadString();

        // Check for inst errors.
        CheckInstrumentErrors(strQuery);

        // Return results string.
        return strResults;
    }

    public double DoQueryNumber(string strQuery)
    {
        // Send the query.

```

```

    m_IoObject.WriteString(strQuery, true);

    // Get the result number.
    double fResult;
    fResult = (double)m_IoObject.ReadNumber(
        IEEEASCIIType.ASCIIType_R8, true);

    // Check for inst errors.
    CheckInstrumentErrors(strQuery);

    // Return result number.
    return fResult;
}

public double[] DoQueryNumbers(string strQuery)
{
    // Send the query.
    m_IoObject.WriteString(strQuery, true);

    // Get the result numbers.
    double[] fResultsArray;
    fResultsArray = (double[])m_IoObject.ReadList(
        IEEEASCIIType.ASCIIType_R8, ",;");

    // Check for inst errors.
    CheckInstrumentErrors(strQuery);

    // Return result numbers.
    return fResultsArray;
}

public byte[] DoQueryIEEEBlock(string strQuery)
{
    // Send the query.
    m_IoObject.WriteString(strQuery, true);

    // Get the results array.
    System.Threading.Thread.Sleep(2000); // Delay before reading.
    byte[] ResultsArray;
    ResultsArray = (byte[])m_IoObject.ReadIEEEBlock(
        IEEEBinaryType.BinaryType_UI1, false, true);

    // Check for inst errors.
    CheckInstrumentErrors(strQuery);

    // Return results array.
    return ResultsArray;
}

private void CheckInstrumentErrors(string strCommand)
{
    // Check for instrument errors.
    string strInstrumentError;
    bool bFirstError = true;

    do // While not "0,No error".
    {

```

```

        m_IoObject.WriteString(":SYSTEM:ERRor?", true);
        strInstrumentError = m_IoObject.ReadString();

        if (!strInstrumentError.ToString().StartsWith("+0, "))
        {
            if (bFirstError)
            {
                Console.WriteLine("ERROR(s) for command '{0}': ",
                    strCommand);
                bFirstError = false;
            }
            Console.Write(strInstrumentError);
        }
    } while (!strInstrumentError.ToString().StartsWith("+0, "));
}

private void OpenIo()
{
    m_ResourceManager = new ResourceManagerClass();
    m_IoObject = new FormattedIO488Class();

    // Open the default VISA COM IO object.
    try
    {
        m_IoObject.IO =
            (IMessage)m_ResourceManager.Open(m_strVisaAddress,
                AccessMode.NO_LOCK, 0, "");
    }
    catch (Exception e)
    {
        Console.WriteLine("An error occurred: {0}", e.Message);
    }
}

public void SetTimeoutSeconds(int nSeconds)
{
    m_IoObject.IO.Timeout = nSeconds * 1000;
}

public void Close()
{
    try
    {
        m_IoObject.IO.Close();
    }
    catch { }

    try
    {
        Marshal.ReleaseComObject(m_IoObject);
    }
    catch { }

    try
    {
        Marshal.ReleaseComObject(m_ResourceManager);
    }
}

```

```

        catch { }
    }
}

```

## VISA COM Example in Visual Basic .NET

To compile and run this example in Microsoft Visual Studio 2008:

- 1 Open Visual Studio.
- 2 Create a new Visual Basic, Windows, Console Application project.
- 3 Cut-and-paste the code that follows into the Visual Basic .NET source file.
- 4 Edit the program to use the VISA address of your oscilloscope.
- 5 Add a reference to the VISA COM 5.9 Type Library:
  - a Right-click the project you wish to modify (not the solution) in the Solution Explorer window of the Microsoft Visual Studio environment.
  - b Choose **Add Reference...**
  - c In the Add Reference dialog, select the **COM** tab.
  - d Select **VISA COM 5.9 Type Library**; then click **OK**.
  - e Right-click the project you wish to modify (not the solution) in the Solution Explorer window of the Microsoft Visual Studio environment and choose **Properties**; then, select "InfiniiVision.VisaComInstrumentApp" as the **Startup object**.
- 6 Build and run the program.

For more information, see the VISA COM Help that comes with Keysight IO Libraries Suite.

```

'
' Keysight VISA COM Example in Visual Basic .NET
' -----
' This program illustrates a few commonly used programming
' features of your Keysight oscilloscope.
' -----

Imports System
Imports System.IO
Imports System.Text
Imports Ivi.Visa.Interop
Imports System.Runtime.InteropServices

Namespace InfiniiVision
    Class VisaComInstrumentApp
        Private Shared myScope As VisaComInstrument

        Public Shared Sub Main(ByVal args As String())
            Try
                myScope = New _
                    VisaComInstrument("USB0::0x0957::0x17A6::US50210029::0::INSTR")
            Catch ex As Exception
                Console.WriteLine(ex.Message)
            End Try
        End Sub
    End Class
End Namespace

```



```

)
    myScope.SetTimeoutSeconds(10)

    ' Initialize - start from a known state.
    Initialize()

    ' Capture data.
    Capture()

    ' Analyze the captured waveform.
    Analyze()

Catch err As System.ApplicationException
    Console.WriteLine("*** VISA Error Message : " + err.Message)
Catch err As System.SystemException
    Console.WriteLine("*** System Error Message : " + err.Message)
Catch err As System.Exception
    System.Diagnostics.Debug.Fail("Unexpected Error")
    Console.WriteLine("*** Unexpected Error : " + err.Message)
Finally
    myScope.Close()
End Try
End Sub

' Initialize the oscilloscope to a known state.
' -----

Private Shared Sub Initialize()
    Dim strResults As String

    ' Get and display the device's *IDN? string.
    strResults = myScope.DoQueryString("*IDN?")
    Console.WriteLine("*IDN? result is: {0}", strResults)

    ' Clear status and load the default setup.
    myScope.DoCommand("*CLS")
    myScope.DoCommand("*RST")

End Sub

' Capture the waveform.
' -----

Private Shared Sub Capture()

    ' Use auto-scale to automatically configure oscilloscope.
    myScope.DoCommand(":AUToscale")

    ' Set trigger mode (EDGE, PULSe, PATtern, etc., and input source.
    myScope.DoCommand(":TRIGger:MODE EDGE")
    Console.WriteLine("Trigger mode: {0}", _
        myScope.DoQueryString(":TRIGger:MODE?"))

    ' Set EDGE trigger parameters.
    myScope.DoCommand(":TRIGger:EDGE:SOURce CHANnel1")
    Console.WriteLine("Trigger edge source: {0}", _
        myScope.DoQueryString(":TRIGger:EDGE:SOURce?"))

```

```

myScope.DoCommand(":TRIGger:EDGE:LEVel 1.5")
Console.WriteLine("Trigger edge level: {0}", _
    myScope.DoQueryString(":TRIGger:EDGE:LEVel?"))

myScope.DoCommand(":TRIGger:EDGE:SLOPe POSitive")
Console.WriteLine("Trigger edge slope: {0}", _
    myScope.DoQueryString(":TRIGger:EDGE:SLOPe?"))

' Save oscilloscope configuration.
Dim ResultsArray As Byte() ' Results array.
Dim nLength As Integer ' Number of bytes returned from inst.
Dim strPath As String
Dim fStream As FileStream

' Query and read setup string.
ResultsArray = myScope.DoQueryIEEEBlock(":SYSTem:SETup?")
nLength = ResultsArray.Length

' Write setup string to file.
strPath = "c:\scope\config\setup.stp"
fStream = File.Open(strPath, FileMode.Create)
fStream.Write(ResultsArray, 0, nLength)
fStream.Close()
Console.WriteLine("Setup bytes saved: {0}", nLength)

' Change settings with individual commands:

' Set vertical scale and offset.
myScope.DoCommand(":CHANnel1:SCALe 0.05")
Console.WriteLine("Channel 1 vertical scale: {0}", _
    myScope.DoQueryString(":CHANnel1:SCALe?"))

myScope.DoCommand(":CHANnel1:OFFSet -1.5")
Console.WriteLine("Channel 1 vertical offset: {0}", _
    myScope.DoQueryString(":CHANnel1:OFFSet?"))

' Set horizontal scale and offset.
myScope.DoCommand(":TIMEbase:SCALe 0.0002")
Console.WriteLine("Timebase scale: {0}", _
    myScope.DoQueryString(":TIMEbase:SCALe?"))

myScope.DoCommand(":TIMEbase:POSition 0.0")
Console.WriteLine("Timebase position: {0}", _
    myScope.DoQueryString(":TIMEbase:POSition?"))

' Set the acquisition type (NORMal, PEAK, AVERage, or HRESolution)

myScope.DoCommand(":ACQuire:TYPE NORMal")
Console.WriteLine("Acquire type: {0}", _
    myScope.DoQueryString(":ACQuire:TYPE?"))

' Or, configure by loading a previously saved setup.
Dim dataArray As Byte()
Dim nBytesWritten As Integer

' Read setup string from file.

```

```

strPath = "c:\scope\config\setup.stp"
dataArray = File.ReadAllBytes(strPath)
nBytesWritten = dataArray.Length

' Restore setup string.
myScope.DoCommandIEEEBlock(":SYSTEM:SETup", dataArray)
Console.WriteLine("Setup bytes restored: {0}", nBytesWritten)

' Capture an acquisition using :DIGitize.
myScope.DoCommand(":DIGitize CHANnel1")

End Sub

' Analyze the captured waveform.
' -----

Private Shared Sub Analyze()

    Dim fResult As Double
    Dim ResultsArray As Byte() ' Results array.
    Dim nLength As Integer ' Number of bytes returned from inst.
    Dim strPath As String

    ' Make a couple of measurements.
    ' -----
    myScope.DoCommand(":MEASure:SOURce CHANnel1")
    Console.WriteLine("Measure source: {0}", _
        myScope.DoQueryString(":MEASure:SOURce?"))

    myScope.DoCommand(":MEASure:FREQuency")
    fResult = myScope.DoQueryNumber(":MEASure:FREQuency?")
    Console.WriteLine("Frequency: {0:F4} kHz", fResult / 1000)

    myScope.DoCommand(":MEASure:VAMPlitude")
    fResult = myScope.DoQueryNumber(":MEASure:VAMPlitude?")
    Console.WriteLine("Vertical amplitude: {0:F2} V", fResult)

    ' Download the screen image.
    ' -----
    myScope.DoCommand(":HARDcopy:INKSaver OFF")

    ' Get the screen data.
    ResultsArray = myScope.DoQueryIEEEBlock(":DISPlay:DATA? PNG, COLor
")
    nLength = ResultsArray.Length

    ' Store the screen data to a file.
    strPath = "c:\scope\data\screen.png"
    Dim fStream As FileStream
    fStream = File.Open(strPath, FileMode.Create)
    fStream.Write(ResultsArray, 0, nLength)
    fStream.Close()
    Console.WriteLine("Screen image ({0} bytes) written to {1}", _
        nLength, strPath)

    ' Download waveform data.
    ' -----

```

```

' Set the waveform points mode.
myScope.DoCommand(":WAVEform:POINTs:MODE RAW")
Console.WriteLine("Waveform points mode: {0}", _
    myScope.DoQueryString(":WAVEform:POINTs:MODE?"))

' Get the number of waveform points available.
Console.WriteLine("Waveform points available: {0}", _
    myScope.DoQueryString(":WAVEform:POINTs?"))

' Set the waveform source.
myScope.DoCommand(":WAVEform:SOURce CHANnel1")
Console.WriteLine("Waveform source: {0}", _
    myScope.DoQueryString(":WAVEform:SOURce?"))

' Choose the format of the data returned (WORD, BYTE, ASCII):
myScope.DoCommand(":WAVEform:FORMat BYTE")
Console.WriteLine("Waveform format: {0}", _
    myScope.DoQueryString(":WAVEform:FORMat?"))

' Display the waveform settings:
Dim fResultsArray As Double()
fResultsArray = myScope.DoQueryNumbers(":WAVEform:PREamble?")

Dim fFormat As Double = fResultsArray(0)
If fFormat = 0 Then
    Console.WriteLine("Waveform format: BYTE")
ElseIf fFormat = 1 Then
    Console.WriteLine("Waveform format: WORD")
ElseIf fFormat = 2 Then
    Console.WriteLine("Waveform format: ASCii")
End If

Dim fType As Double = fResultsArray(1)
If fType = 0 Then
    Console.WriteLine("Acquire type: NORMAl")
ElseIf fType = 1 Then
    Console.WriteLine("Acquire type: PEAK")
ElseIf fType = 2 Then
    Console.WriteLine("Acquire type: AVERAge")
ElseIf fType = 3 Then
    Console.WriteLine("Acquire type: HRESolution")
End If

Dim fPoints As Double = fResultsArray(2)
Console.WriteLine("Waveform points: {0:e}", fPoints)

Dim fCount As Double = fResultsArray(3)
Console.WriteLine("Waveform average count: {0:e}", fCount)

Dim fXincrement As Double = fResultsArray(4)
Console.WriteLine("Waveform X increment: {0:e}", fXincrement)

Dim fXorigin As Double = fResultsArray(5)
Console.WriteLine("Waveform X origin: {0:e}", fXorigin)

Dim fXreference As Double = fResultsArray(6)

```

```

Console.WriteLine("Waveform X reference: {0:e}", fXreference)

Dim fYincrement As Double = fResultsArray(7)
Console.WriteLine("Waveform Y increment: {0:e}", fYincrement)

Dim fYorigin As Double = fResultsArray(8)
Console.WriteLine("Waveform Y origin: {0:e}", fYorigin)

Dim fYreference As Double = fResultsArray(9)
Console.WriteLine("Waveform Y reference: {0:e}", fYreference)

' Get the waveform data.
ResultsArray = myScope.DoQueryIEEEBlock(":WAVEform:DATA?")
nLength = ResultsArray.Length
Console.WriteLine("Number of data values: {0}", nLength)

' Set up output file:
strPath = "c:\scope\data\waveform_data.csv"
If File.Exists(strPath) Then
    File.Delete(strPath)
End If

' Open file for output.
Dim writer As StreamWriter = File.CreateText(strPath)

' Output waveform data in CSV format.
For index As Integer = 0 To nLength - 1
    ' Write time value, voltage value.
    writer.WriteLine("{0:f9}, {1:f6}", _
        fXorigin + (CSng(index) * fXincrement), _
        ((CSng(ResultsArray(index)) - fYreference) _
        * fYincrement) + fYorigin)
Next

' Close output file.
writer.Close()
Console.WriteLine("Waveform format BYTE data written to {0}", _
    strPath)

End Sub

End Class

Class VisaComInstrument
    Private m_ResourceManager As ResourceManagerClass
    Private m_IOException As FormattedIO488Class
    Private m_strVisaAddress As String

    ' Constructor.
    Public Sub New(ByVal strVisaAddress As String)

        ' Save VISA address in member variable.
        m_strVisaAddress = strVisaAddress

        ' Open the default VISA COM IO object.
        OpenIo()
    End Sub
End Class

```

```

    ' Clear the interface.
    m_IoObject.IO.Clear()

End Sub

Public Sub DoCommand(ByVal strCommand As String)

    ' Send the command.
    m_IoObject.WriteString(strCommand, True)

    ' Check for inst errors.
    CheckInstrumentErrors(strCommand)

End Sub

Public Sub DoCommandIEEEBlock(ByVal strCommand As String, _
    ByVal dataArray As Byte())

    ' Send the command to the device.
    m_IoObject.WriteIEEEBlock(strCommand, dataArray, True)

    ' Check for inst errors.
    CheckInstrumentErrors(strCommand)

End Sub

Public Function DoQueryString(ByVal strQuery As String) As String
    ' Send the query.
    m_IoObject.WriteString(strQuery, True)

    ' Get the result string.
    Dim strResults As String
    strResults = m_IoObject.ReadString()

    ' Check for inst errors.
    CheckInstrumentErrors(strQuery)

    ' Return results string.
    Return strResults
End Function

Public Function DoQueryNumber(ByVal strQuery As String) As Double
    ' Send the query.
    m_IoObject.WriteString(strQuery, True)

    ' Get the result number.
    Dim fResult As Double
    fResult = _
        CDb1(m_IoObject.ReadNumber(IEEEASCIIType.ASCIIType_R8, True))

    ' Check for inst errors.
    CheckInstrumentErrors(strQuery)

    ' Return result number.
    Return fResult
End Function

```

```

Public Function DoQueryNumbers(ByVal strQuery As String) As _
    Double()
    ' Send the query.
    m_JsonObject.WriteString(strQuery, True)

    ' Get the result numbers.
    Dim fResultsArray As Double()
    fResultsArray = _
        m_JsonObject.ReadList(IEEEASCIIType.ASCIIType_R8, ",;")

    ' Check for inst errors.
    CheckInstrumentErrors(strQuery)

    ' Return result numbers.
    Return fResultsArray
End Function

Public _
    Function DoQueryIEEEBlock(ByVal strQuery As String) As Byte()
    ' Send the query.
    m_JsonObject.WriteString(strQuery, True)

    ' Get the results array.
    System.Threading.Thread.Sleep(2000) ' Delay before reading data.
    Dim ResultsArray As Byte()
    ResultsArray = _
        m_JsonObject.ReadIEEEBlock(IEEEBinaryType.BinaryType_UI1, _
            False, True)

    ' Check for inst errors.
    CheckInstrumentErrors(strQuery)

    ' Return results array.
    Return ResultsArray
End Function

Private Sub CheckInstrumentErrors(ByVal strCommand As String)
    ' Check for instrument errors.
    Dim strInstrumentError As String
    Dim bFirstError As Boolean = True
    Do ' While not "0,No error".
        m_JsonObject.WriteString(":SYSTem:ERRor?", True)
        strInstrumentError = m_JsonObject.ReadString()

        If Not strInstrumentError.ToString().StartsWith("+0,") Then
            If bFirstError Then
                Console.WriteLine("ERROR(s) for command '{0}': ", _
                    strCommand)
                bFirstError = False
            End If
            Console.WriteLine(strInstrumentError)
        End If
    Loop While Not strInstrumentError.ToString().StartsWith("+0,")
End Sub

Private Sub OpenIo()
    m_ResourceManager = New ResourceManagerClass()

```

```

    m_IoObject = New FormattedIO488Class()

    ' Open the default VISA COM IO object.
    Try
        m_IoObject.IO = _
            DirectCast(m_ResourceManager.Open(m_strVisaAddress, _
                AccessMode.NO_LOCK, 0, ""), IMessage)
    Catch e As Exception
        Console.WriteLine("An error occurred: {0}", e.Message)
    End Try
End Sub

Public Sub SetTimeoutSeconds(ByVal nSeconds As Integer)
    m_IoObject.IO.Timeout = nSeconds * 1000
End Sub

Public Sub Close()
    Try
        m_IoObject.IO.Close()
    Catch
    End Try

    Try
        Marshal.ReleaseComObject(m_IoObject)
    Catch
    End Try

    Try
        Marshal.ReleaseComObject(m_ResourceManager)
    Catch
    End Try
End Sub
End Class
End Namespace

```

## VISA COM Example in Python 3

You can use the Python programming language with the "comtypes" package to control Keysight oscilloscopes.

The Python language and "comtypes" package can be downloaded from the web at <http://www.python.org/> and <https://pypi.org/project/comtypes/>, respectively.

To run this example with Python and "comtypes":

- 1 Cut-and-paste the code that follows into a file named "example.py".
- 2 Edit the program to use the VISA address of your oscilloscope.
- 3 If "python.exe" can be found via your PATH environment variable, open a Command Prompt window; then, change to the folder that contains the "example.py" file, and enter:

```

python example.py

#!python3
#

```



```

# Keysight VISA COM Example in Python using "comtypes"
# *****
# This program illustrates a few commonly used programming
# features of your Keysight oscilloscope.
# *****

# Import Python modules.
# -----
import string
import time
import sys
import array

from comtypes.client import GetModule
from comtypes.client import CreateObject

# Run GetModule once to generate comtypes.gen.VisaComLib.
if not hasattr(sys, "frozen"):
    GetModule("C:\Program Files (x86)\IVI Foundation\VISA\VisaCom\
GlobMgr.dll")

import comtypes.gen.VisaComLib as VisaComLib

# Global variables (booleans: 0 = False, 1 = True).
# -----

# =====
# Initialize:
# =====
def initialize():
    # Get and display the device's *IDN? string.
    idn_string = do_query_string("*IDN?")
    print("Identification string '%s'" % idn_string)

    # Clear status and load the default setup.
    do_command("*CLS")
    do_command("*RST")

# =====
# Capture:
# =====
def capture():

    # Use auto-scale to automatically set up oscilloscope.
    print("Autoscale.")
    do_command(":AUToscale")

    # Set trigger mode.
    do_command(":TRIGger:MODE EDGE")
    qresult = do_query_string(":TRIGger:MODE?")
    print("Trigger mode: %s" % qresult)

    # Set EDGE trigger parameters.
    do_command(":TRIGger:EDGE:SOURce CHANnel1")

```

```

qresult = do_query_string(":TRIGger:EDGE:SOURce?")
print("Trigger edge source: %s" % qresult)

do_command(":TRIGger:EDGE:LEVel 1.5")
qresult = do_query_string(":TRIGger:EDGE:LEVel?")
print("Trigger edge level: %s" % qresult)

do_command(":TRIGger:EDGE:SLOPe POSitive")
qresult = do_query_string(":TRIGger:EDGE:SLOPe?")
print("Trigger edge slope: %s" % qresult)

# Save oscilloscope setup.
setup_bytes = do_query_ieee_block(":SYSTem:SETUp?")
nLength = len(setup_bytes)
f = open("setup.stp", "wb")
f.write(bytearray(setup_bytes))
f.close()
print("Setup bytes saved: %d" % nLength)

# Change oscilloscope settings with individual commands:

# Set vertical scale and offset.
do_command(":CHANnel1:SCALe 0.05")
qresult = do_query_number(":CHANnel1:SCALe?")
print("Channel 1 vertical scale: %f" % qresult)

do_command(":CHANnel1:OFFSet -1.5")
qresult = do_query_number(":CHANnel1:OFFSet?")
print("Channel 1 offset: %f" % qresult)

# Set horizontal scale and offset.
do_command(":TIMEbase:SCALe 0.0002")
qresult = do_query_string(":TIMEbase:SCALe?")
print("Timebase scale: %s" % qresult)

do_command(":TIMEbase:POSition 0.0")
qresult = do_query_string(":TIMEbase:POSition?")
print("Timebase position: %s" % qresult)

# Set the acquisition type.
do_command(":ACQuire:TYPE NORMal")
qresult = do_query_string(":ACQuire:TYPE?")
print("Acquire type: %s" % qresult)

# Or, configure by loading a previously saved setup.
f = open("setup.stp", "rb")
setup_bytes = f.read()
f.close()
do_command_ieee_block(":SYSTem:SETUp", array.array('B', setup_bytes))
print("Setup bytes restored: %d" % len(setup_bytes))

# Capture an acquisition using :DIGitize.
do_command(":DIGitize CHANnel1")

# =====
# Analyze:

```

```

# =====
def analyze():

    # Make measurements.
    # -----
    do_command(":MEASure:SOURce CHANnel1")
    qresult = do_query_string(":MEASure:SOURce?")
    print("Measure source: %s" % qresult)

    do_command(":MEASure:FREQuency")
    qresult = do_query_string(":MEASure:FREQuency?")
    print("Measured frequency on channel 1: %s" % qresult)

    do_command(":MEASure:VAMPlitude")
    qresult = do_query_string(":MEASure:VAMPlitude?")
    print("Measured vertical amplitude on channel 1: %s" % qresult)

    # Download the screen image.
    # -----
    do_command(":HARDcopy:INKSaver OFF")

    image_bytes = do_query_ieee_block(":DISPlay:DATA? PNG, COLor")
    nLength = len(image_bytes)
    f = open("screen.png", "wb")
    f.write(bytearray(image_bytes))
    f.close()
    print("Screen image written to screen.png.")

    # Download waveform data.
    # -----

    # Set the waveform points mode.
    do_command(":WAVEform:POINts:MODE RAW")
    qresult = do_query_string(":WAVEform:POINts:MODE?")
    print("Waveform points mode: %s" % qresult)

    # Get the number of waveform points available.
    do_command(":WAVEform:POINts 10240")
    qresult = do_query_string(":WAVEform:POINts?")
    print("Waveform points available: %s" % qresult)

    # Set the waveform source.
    do_command(":WAVEform:SOURce CHANnel1")
    qresult = do_query_string(":WAVEform:SOURce?")
    print("Waveform source: %s" % qresult)

    # Choose the format of the data returned:
    do_command(":WAVEform:FORMat BYTE")
    print("Waveform format: %s" % do_query_string(":WAVEform:FORMat?"))

    # Display the waveform settings from preamble:
    wav_form_dict = {
        0 : "BYTE",
        1 : "WORD",
        4 : "AScii",
    }
    acq_type_dict = {

```

```

    0 : "NORMal",
    1 : "PEAK",
    2 : "AVERage",
    3 : "HRESolution",
}

(
wav_form,
acq_type,
wfmpnts,
avgcnt,
x_increment,
x_origin,
x_reference,
y_increment,
y_origin,
y_reference
) = do_query_numbers(":WAVEform:PREamble?")

print("Waveform format: %s" % wav_form_dict[wav_form])
print("Acquire type: %s" % acq_type_dict[acq_type])
print("Waveform points desired: %d" % wfmpnts)
print("Waveform average count: %d" % avgcnt)
print("Waveform X increment: %1.12f" % x_increment)
print("Waveform X origin: %1.9f" % x_origin)
print("Waveform X reference: %d" % x_reference)    # Always 0.
print("Waveform Y increment: %f" % y_increment)
print("Waveform Y origin: %f" % y_origin)
print("Waveform Y reference: %d" % y_reference)    # Always 125.

# Get numeric values for later calculations.
x_increment = do_query_number(":WAVEform:XINcrement?")
x_origin = do_query_number(":WAVEform:XORigin?")
y_increment = do_query_number(":WAVEform:YINcrement?")
y_origin = do_query_number(":WAVEform:YORigin?")
y_reference = do_query_number(":WAVEform:YREFERENCE?")

# Get the waveform data.
data_bytes = do_query_ieee_block(":WAVEform:DATA?")
nLength = len(data_bytes)
print("Number of data values: %d" % nLength)

# Open file for output.
strPath = "waveform_data.csv"
f = open(strPath, "w")

# Output waveform data in CSV format.
for i in range(0, nLength - 1):
    time_val = x_origin + (i * x_increment)
    voltage = (data_bytes[i] - y_reference) * y_increment + y_origin
    f.write("%E, %f\n" % (time_val, voltage))

# Close output file.
f.close()
print("Waveform format BYTE data written to %s." % strPath)

```

```

# =====
# Send a command and check for errors:
# =====
def do_command(command):
    myScope.WriteString("%s" % command, True)
    check_instrument_errors(command)

# =====
# Send a command and check for errors:
# =====
def do_command_ieee_block(command, data):
    myScope.WriteIEEEBlock(command, data, True)
    check_instrument_errors(command)

# =====
# Send a query, check for errors, return string:
# =====
def do_query_string(query):
    myScope.WriteString("%s" % query, True)
    result = myScope.ReadString()
    check_instrument_errors(query)
    return result

# =====
# Send a query, check for errors, return string:
# =====
def do_query_ieee_block(query):
    myScope.WriteString("%s" % query, True)
    result = myScope.ReadIEEEBlock(VisaComLib.BinaryType_UI1, \
        False, True)
    check_instrument_errors(query)
    return result

# =====
# Send a query, check for errors, return values:
# =====
def do_query_number(query):
    myScope.WriteString("%s" % query, True)
    result = myScope.ReadNumber(VisaComLib.ASCIIType_R8, True)
    check_instrument_errors(query)
    return result

# =====
# Send a query, check for errors, return values:
# =====
def do_query_numbers(query):
    myScope.WriteString("%s" % query, True)
    result = myScope.ReadList(VisaComLib.ASCIIType_R8, ",;")
    check_instrument_errors(query)
    return result

```

```

# =====
# Check for instrument errors:
# =====
def check_instrument_errors(command):

    while True:
        myScope.WriteString(":SYSTem:ERRor?", True)
        error_string = myScope.ReadString()
        if error_string: # If there is an error string value.

            if error_string.find("+0,", 0, 3) == -1: # Not "No error".
                print("ERROR: %s, command: '%s'" % (error_string, command))
                print("Exited because of error.")
                sys.exit(1)

            else: # "No error"
                break

        else: # :SYSTem:ERRor? should always return string.
            print("ERROR: :SYSTem:ERRor? returned nothing, command: '%s'" \
                  % command)
            print("Exited because of error.")
            sys.exit(1)

# =====
# Main program:
# =====
rm = CreateObject("VISA.GlobalRM", \
    interface=VisaComLib.IResourceManager)
myScope = CreateObject("VISA.BasicFormattedIO", \
    interface=VisaComLib.IFormattedIO488)
myScope.IO = \
    rm.Open("TCPIP0::a-mx3104a-90028.cos.is.keysight.com::inst0::INSTR")

# Clear the interface.
myScope.IO.Clear()
print("Interface cleared.")

# Set the Timeout to 15 seconds.
myScope.IO.Timeout = 15000 # 15 seconds.
print("Timeout set to 15000 milliseconds.")

# Initialize the oscilloscope, capture data, and analyze.
initialize()
capture()
analyze()

myScope.IO.Close()
print("End of program")
sys.exit()

```

## VISA Examples

- ["VISA Example in C"](#) on page 1215
- ["VISA Example in Visual Basic"](#) on page 1224
- ["VISA Example in C#"](#) on page 1234
- ["VISA Example in Visual Basic .NET"](#) on page 1245
- ["VISA Example in Python 3"](#) on page 1255

### VISA Example in C

To compile and run this example in Microsoft Visual Studio 2008:

- 1 Open Visual Studio.
- 2 Create a new Visual C++, Win32, Win32 Console Application project.
- 3 In the Win32 Application Wizard, click **Next >**. Then, check **Empty project**, and click **Finish**.
- 4 Cut-and-paste the code that follows into a file named "example.c" in the project directory.
- 5 In Visual Studio 2008, right-click the Source Files folder, choose **Add > Add Existing Item...**, select the example.c file, and click **Add**.
- 6 Edit the program to use the VISA address of your oscilloscope.
- 7 Choose **Project > Properties....** In the Property Pages dialog, update these project settings:
  - a Under Configuration Properties, Linker, Input, add "visa32.lib" to the Additional Dependencies field.
  - b Under Configuration Properties, C/C++, Code Generation, select Multi-threaded DLL for the Runtime Library field.
  - c Click **OK** to close the Property Pages dialog.
- 8 Add the include files and library files search paths:
  - a Choose **Tools > Options....**
  - b In the Options dialog, under Projects and Solutions, select **VC++ Directories**.
  - c Show directories for **Include files**, and add the include directory (for example, Program Files (x86)\IVI Foundation\VISA\WinNT\Include).
  - d Show directories for **Library files**, and add the library files directory (for example, Program Files (x86)\IVI Foundation\VISA\WinNT\lib\msc).
  - e Click **OK** to close the Options dialog.
- 9 Build and run the program.

```

/*
 * Keysight VISA Example in C
 * -----

```

```

    * This program illustrates a few commonly-used programming
    * features of your Keysight oscilloscope.
    */

#include <stdio.h>           /* For printf(). */
#include <string.h>         /* For strcpy(), strcat(). */
#include <time.h>           /* For clock(). */
#include <visa.h>           /* Keysight VISA routines. */

#define VISA_ADDRESS "USB0::0x0957::0x17A6::US50210029::0::INSTR"
#define IEEEBLOCK_SPACE 500000

/* Function prototypes */
void initialize(void);      /* Initialize to known state. */
void capture(void);        /* Capture the waveform. */
void analyze(void);        /* Analyze the captured waveform. */

void do_command(char *command); /* Send command. */
int do_command_ieeeblock(char *command); /* Command w/IEEE block. */
void do_query_string(char *query); /* Query for string. */
void do_query_number(char *query); /* Query for number. */
void do_query_numbers(char *query); /* Query for numbers. */
int do_query_ieeeblock(char *query); /* Query for IEEE block. */
void check_instrument_errors(); /* Check for inst errors. */
void error_handler(); /* VISA error handler. */

/* Global variables */
ViSession defaultRM, vi; /* Device session ID. */
ViStatus err; /* VISA function return value. */
char str_result[256] = {0}; /* Result from do_query_string(). */
double num_result; /* Result from do_query_number(). */
unsigned char ieeeblock_data[IEEEBLOCK_SPACE]; /* Result from
do_query_ieeeblock(). */
double dbl_results[10]; /* Result from do_query_numbers(). */

/* Main Program
* ----- */
void main(void)
{
    /* Open the default resource manager session. */
    err = viOpenDefaultRM(&defaultRM);
    if (err != VI_SUCCESS) error_handler();

    /* Open the session using the oscilloscope's VISA address. */
    err = viOpen(defaultRM, VISA_ADDRESS, VI_NULL, VI_NULL, &vi);
    if (err != VI_SUCCESS) error_handler();

    /* Set the I/O timeout to fifteen seconds. */
    err = viSetAttribute(vi, VI_ATTR_TMO_VALUE, 15000);
    if (err != VI_SUCCESS) error_handler();

    /* Initialize - start from a known state. */
    initialize();

    /* Capture data. */
    capture();
}

```



```

    /* Analyze the captured waveform. */
    analyze();

    /* Close the vi session and the resource manager session. */
    viClose(vi);
    viClose(defaultRM);
}

/* Initialize the oscilloscope to a known state.
 * ----- */
void initialize (void)
{
    /* Clear the interface. */
    err = viClear(vi);
    if (err != VI_SUCCESS) error_handler();

    /* Get and display the device's *IDN? string. */
    do_query_string("*IDN?");
    printf("Oscilloscope *IDN? string: %s\n", str_result);

    /* Clear status and load the default setup. */
    do_command("*CLS");
    do_command("*RST");
}

/* Capture the waveform.
 * ----- */
void capture (void)
{
    int num_bytes;
    FILE *fp;

    /* Use auto-scale to automatically configure oscilloscope. */
    do_command(":AUToscale");

    /* Set trigger mode (EDGE, PULSe, PATtern, etc., and input source. */
    do_command(":TRIGger:MODE EDGE");
    do_query_string(":TRIGger:MODE?");
    printf("Trigger mode: %s\n", str_result);

    /* Set EDGE trigger parameters. */
    do_command(":TRIGger:EDGE:SOURce CHANnel1");
    do_query_string(":TRIGger:EDGE:SOURce?");
    printf("Trigger edge source: %s\n", str_result);

    do_command(":TRIGger:EDGE:LEVel 1.5");
    do_query_string(":TRIGger:EDGE:LEVel?");
    printf("Trigger edge level: %s\n", str_result);

    do_command(":TRIGger:EDGE:SLOPe POSitive");
    do_query_string(":TRIGger:EDGE:SLOPe?");
    printf("Trigger edge slope: %s\n", str_result);

    /* Save oscilloscope configuration. */

    /* Read system setup. */
    num_bytes = do_query_ieeeblock(":SYSTem:SETup?");

```

```

printf("Read setup string query (%d bytes).\n", num_bytes);

/* Write setup string to file. */
fp = fopen ("c:\\scope\\config\\setup.stp", "wb");
num_bytes = fwrite(ieeeblock_data, sizeof(unsigned char), num_bytes,
    fp);
fclose (fp);
printf("Wrote setup string (%d bytes) to ", num_bytes);
printf("c:\\scope\\config\\setup.stp.\n");

/* Change settings with individual commands:

/* Set vertical scale and offset. */
do_command(":CHANnel1:SCALE 0.05");
do_query_string(":CHANnel1:SCALE?");
printf("Channel 1 vertical scale: %s\n", str_result);

do_command(":CHANnel1:OFFSet -1.5");
do_query_string(":CHANnel1:OFFSet?");
printf("Channel 1 offset: %s\n", str_result);

/* Set horizontal scale and offset. */
do_command(":TIMEbase:SCALE 0.0002");
do_query_string(":TIMEbase:SCALE?");
printf("Timebase scale: %s\n", str_result);

do_command(":TIMEbase:POSition 0.0");
do_query_string(":TIMEbase:POSition?");
printf("Timebase position: %s\n", str_result);

/* Set the acquisition type (NORMAL, PEAK, AVERAGE, or HRESOLUTION). *
/
do_command(":ACquire:TYPE NORMAL");
do_query_string(":ACquire:TYPE?");
printf("Acquire type: %s\n", str_result);

/* Or, configure by loading a previously saved setup. */

/* Read setup string from file. */
fp = fopen ("c:\\scope\\config\\setup.stp", "rb");
num_bytes = fread (ieeeblock_data, sizeof(unsigned char),
    IEEEBLOCK_SPACE, fp);
fclose (fp);
printf("Read setup string (%d bytes) from file ", num_bytes);
printf("c:\\scope\\config\\setup.stp.\n");

/* Restore setup string. */
num_bytes = do_command_ieeeblock(":SYSTEM:SETup", num_bytes);
printf("Restored setup string (%d bytes).\n", num_bytes);

/* Capture an acquisition using :DIGitize. */
do_command(":DIGitize CHANnel1");
}

/* Analyze the captured waveform.
* ----- */
void analyze (void)

```

```

{
double wav_format;
double acq_type;
double wav_points;
double avg_count;
double x_increment;
double x_origin;
double x_reference;
double y_increment;
double y_origin;
double y_reference;

FILE *fp;
int num_bytes; /* Number of bytes returned from instrument. */
int i;

/* Make a couple of measurements.
 * ----- */
do_command(":MEASure:SOURce CHANnel1");
do_query_string(":MEASure:SOURce?");
printf("Measure source: %s\n", str_result);

do_command(":MEASure:FREQuency");
do_query_number(":MEASure:FREQuency?");
printf("Frequency: %.4f kHz\n", num_result / 1000);

do_command(":MEASure:VAMPlitude");
do_query_number(":MEASure:VAMPlitude?");
printf("Vertical amplitude: %.2f V\n", num_result);

/* Download the screen image.
 * ----- */
do_command(":HARDcopy:INKSaver OFF");

/* Read screen image. */
num_bytes = do_query_ieeeblock(":DISPlay:DATA? PNG, COLor");
printf("Screen image bytes: %d\n", num_bytes);

/* Write screen image bytes to file. */
fp = fopen("c:\\scope\\data\\screen.png", "wb");
num_bytes = fwrite(ieeeblock_data, sizeof(unsigned char), num_bytes,
    fp);
fclose(fp);
printf("Wrote screen image (%d bytes) to ", num_bytes);
printf("c:\\scope\\data\\screen.png.\n");

/* Download waveform data.
 * ----- */

/* Set the waveform points mode. */
do_command(":WAVEform:POINTs:MODE RAW");
do_query_string(":WAVEform:POINTs:MODE?");
printf("Waveform points mode: %s\n", str_result);

/* Get the number of waveform points available. */
do_query_string(":WAVEform:POINTs?");
printf("Waveform points available: %s\n", str_result);

```

```

/* Set the waveform source. */
do_command(":WAVEform:SOURce CHANnel1");
do_query_string(":WAVEform:SOURce?");
printf("Waveform source: %s\n", str_result);

/* Choose the format of the data returned (WORD, BYTE, ASCII): */
do_command(":WAVEform:FORMat BYTE");
do_query_string(":WAVEform:FORMat?");
printf("Waveform format: %s\n", str_result);

/* Display the waveform settings: */
do_query_numbers(":WAVEform:PREAmble?");

wav_format = dbl_results[0];
if (wav_format == 0.0)
{
    printf("Waveform format: BYTE\n");
}
else if (wav_format == 1.0)
{
    printf("Waveform format: WORD\n");
}
else if (wav_format == 2.0)
{
    printf("Waveform format: ASCii\n");
}

acq_type = dbl_results[1];
if (acq_type == 0.0)
{
    printf("Acquire type: NORMal\n");
}
else if (acq_type == 1.0)
{
    printf("Acquire type: PEAK\n");
}
else if (acq_type == 2.0)
{
    printf("Acquire type: AVERage\n");
}
else if (acq_type == 3.0)
{
    printf("Acquire type: HRESolution\n");
}

wav_points = dbl_results[2];
printf("Waveform points: %e\n", wav_points);

avg_count = dbl_results[3];
printf("Waveform average count: %e\n", avg_count);

x_increment = dbl_results[4];
printf("Waveform X increment: %e\n", x_increment);

x_origin = dbl_results[5];
printf("Waveform X origin: %e\n", x_origin);

```

```

x_reference = dbl_results[6];
printf("Waveform X reference: %e\n", x_reference);

y_increment = dbl_results[7];
printf("Waveform Y increment: %e\n", y_increment);

y_origin = dbl_results[8];
printf("Waveform Y origin: %e\n", y_origin);

y_reference = dbl_results[9];
printf("Waveform Y reference: %e\n", y_reference);

/* Read waveform data. */
num_bytes = do_query_ieeeblock(":WAVEform:DATA?");
printf("Number of data values: %d\n", num_bytes);

/* Open file for output. */
fp = fopen("c:\\scope\\data\\waveform_data.csv", "wb");

/* Output waveform data in CSV format. */
for (i = 0; i < num_bytes - 1; i++)
{
    /* Write time value, voltage value. */
    fprintf(fp, "%9f, %6f\n",
        x_origin + ((float)i * x_increment),
        (((float)ieeeblock_data[i] - y_reference) * y_increment)
        + y_origin);
}

/* Close output file. */
fclose(fp);
printf("Waveform format BYTE data written to ");
printf("c:\\scope\\data\\waveform_data.csv.\n");
}

/* Send a command to the instrument.
 * ----- */
void do_command(command)
char *command;
{
    char message[80];

    strcpy(message, command);
    strcat(message, "\n");
    err = viPrintf(vi, message);
    if (err != VI_SUCCESS) error_handler();

    check_instrument_errors();
}

/* Command with IEEE definite-length block.
 * ----- */
int do_command_ieeeblock(command, num_bytes)
char *command;
int num_bytes;
{

```

```

    char message[80];
    int data_length;

    strcpy(message, command);
    strcat(message, " #8%08d");
    err = viPrintf(vi, message, num_bytes);
    if (err != VI_SUCCESS) error_handler();

    err = viBufWrite(vi, ieeeblock_data, num_bytes, &data_length);
    if (err != VI_SUCCESS) error_handler();

    check_instrument_errors();

    return(data_length);
}

/* Query for a string result.
 * ----- */
void do_query_string(query)
char *query;
{
    char message[80];

    strcpy(message, query);
    strcat(message, "\n");

    err = viPrintf(vi, message);
    if (err != VI_SUCCESS) error_handler();

    err = viScanf(vi, "%t", str_result);
    if (err != VI_SUCCESS) error_handler();

    check_instrument_errors();
}

/* Query for a number result.
 * ----- */
void do_query_number(query)
char *query;
{
    char message[80];

    strcpy(message, query);
    strcat(message, "\n");

    err = viPrintf(vi, message);
    if (err != VI_SUCCESS) error_handler();

    err = viScanf(vi, "%lf", &num_result);
    if (err != VI_SUCCESS) error_handler();

    check_instrument_errors();
}

/* Query for numbers result.
 * ----- */
void do_query_numbers(query)

```

```

char *query;
{
    char message[80];

    strcpy(message, query);
    strcat(message, "\n");

    err = viPrintf(vi, message);
    if (err != VI_SUCCESS) error_handler();

    err = viScanf(vi, "%,10lf\n", dbl_results);
    if (err != VI_SUCCESS) error_handler();

    check_instrument_errors();
}

/* Query for an IEEE definite-length block result.
 * ----- */
int do_query_ieeeblock(query)
char *query;
{
    char message[80];
    int data_length;

    strcpy(message, query);
    strcat(message, "\n");
    err = viPrintf(vi, message);
    if (err != VI_SUCCESS) error_handler();

    data_length = IEEEBLOCK_SPACE;
    err = viScanf(vi, "%#b\n", &data_length, ieeeblock_data);
    if (err != VI_SUCCESS) error_handler();

    if (data_length == IEEEBLOCK_SPACE )
    {
        printf("IEEE block buffer full: ");
        printf("May not have received all data.\n");
    }

    check_instrument_errors();

    return(data_length);
}

/* Check for instrument errors.
 * ----- */
void check_instrument_errors()
{
    char str_err_val[256] = {0};
    char str_out[800] = "";

    err = viQueryf(vi, ":SYSTem:ERROr?\n", "%t", str_err_val);
    if (err != VI_SUCCESS) error_handler();
    while(strncmp(str_err_val, "+0,No error", 3) != 0 )
    {
        strcat(str_out, ", ");
        strcat(str_out, str_err_val);
    }
}

```

```

    err = viQueryf(vi, ":SYSTEM:ERROR?\n", "%t", str_err_val);
    if (err != VI_SUCCESS) error_handler();
}

if (strcmp(str_out, "") != 0)
{
    printf("INST Error%s\n", str_out);
    err = viFlush(vi, VI_READ_BUF);
    if (err != VI_SUCCESS) error_handler();
    err = viFlush(vi, VI_WRITE_BUF);
    if (err != VI_SUCCESS) error_handler();
}
}

/* Handle VISA errors.
 * ----- */
void error_handler()
{
    char err_msg[1024] = {0};

    viStatusDesc(vi, err, err_msg);
    printf("VISA Error: %s\n", err_msg);
    if (err < VI_SUCCESS)
    {
        exit(1);
    }
}
}

```

## VISA Example in Visual Basic

To run this example in Visual Basic for Applications:

- 1 Start the application that provides Visual Basic for Applications (for example, Microsoft Excel).
- 2 Press ALT+F11 to launch the Visual Basic editor.
- 3 Add the visa32.bas file to your project:
  - a Choose **File > Import File...**
  - b Navigate to the header file, visa32.bas (installed with Keysight IO Libraries Suite and found in the Program Files (x86)\IVI Foundation\VISA\WinNT\Include), select it, and click **Open**.
- 4 Choose **Insert > Module**.
- 5 Cut-and-paste the code that follows into the editor.
- 6 Edit the program to use the VISA address of your oscilloscope, and save the changes.
- 7 Run the program.

```

'
' Keysight VISA Example in Visual Basic
' -----
' This program illustrates a few commonly-used programming

```



```

' features of your Keysight oscilloscope.
' -----

Option Explicit

Public err As Long      ' Error returned by VISA function calls.
Public drm As Long      ' Session to Default Resource Manager.
Public vi As Long       ' Session to instrument.

' Declare variables to hold numeric values returned by
' viVScanf/viVQueryf.
Public dblQueryResult As Double
Public Const ByteArraySize = 5000000
Public retCount As Long
Public byteArray(ByteArraySize) As Byte
Public paramsArray(2) As Long
Public Const DblArraySize = 20
Public dblArray(DblArraySize) As Double

' Declare fixed length string variable to hold string value returned
' by viVScanf/viVQueryf.
Public strQueryResult As String * 200

' For Sleep subroutine.
Private Declare Sub Sleep Lib "kernel32" (ByVal dwMilliseconds As Long)

'
' Main Program
' -----

Sub Main()

    ' Open the default resource manager session.
    err = viOpenDefaultRM(drm)
    If (err <> VI_SUCCESS) Then HandleVISAError drm

    ' Open the session using the oscilloscope's VISA address.
    err = viOpen(drm, _
        "USB0::0x0957::0x17A6::US50210029::0::INSTR", 0, 15000, vi)
    If (err <> VI_SUCCESS) Then HandleVISAError drm

    ' Set the I/O timeout to ten seconds.
    err = viSetAttribute(vi, VI_ATTR_TMO_VALUE, 10000)
    If (err <> VI_SUCCESS) Then HandleVISAError vi

    ' Initialize - start from a known state.
    Initialize

    ' Capture data.
    Capture

    ' Analyze the captured waveform.
    Analyze

    ' Close the vi session and the resource manager session.
    err = viClose(vi)
    err = viClose(drm)

```

```

End Sub

'
' Initialize the oscilloscope to a known state.
' -----

Private Sub Initialize()

    ' Clear the interface.
    err = viClear(vi)
    If Not (err = VI_SUCCESS) Then HandleVISAError vi

    ' Get and display the device's *IDN? string.
    strQueryResult = DoQueryString("*IDN?")
    MsgBox "*IDN? string: " + strQueryResult, vbOKOnly, "*IDN? Result"

    ' Clear status and load the default setup.
    DoCommand "*CLS"
    DoCommand "*RST"

End Sub

'
' Capture the waveform.
' -----

Private Sub Capture()

    ' Use auto-scale to automatically configure oscilloscope.
    ' -----
    DoCommand ":AUToscale"

    ' Set trigger mode (EDGE, PULSe, PATtern, etc., and input source.
    DoCommand ":TRIGger:MODE EDGE"
    Debug.Print "Trigger mode: " + _
        DoQueryString(":TRIGger:MODE?")

    ' Set EDGE trigger parameters.
    DoCommand ":TRIGger:EDGE:SOURce CHANnel1"
    Debug.Print "Trigger edge source: " + _
        DoQueryString(":TRIGger:EDGE:SOURce?")

    DoCommand ":TRIGger:EDGE:LEVel 1.5"
    Debug.Print "Trigger edge level: " + _
        DoQueryString(":TRIGger:EDGE:LEVel?")

    DoCommand ":TRIGger:EDGE:SLOPe POSitive"
    Debug.Print "Trigger edge slope: " + _
        DoQueryString(":TRIGger:EDGE:SLOPe?")

    ' Save oscilloscope configuration.
    ' -----
    Dim lngSetupStringSize As Long
    lngSetupStringSize = DoQueryIEEEBlock_Bytes(":SYSTem:SETup?")
    Debug.Print "Setup bytes saved: " + CStr(lngSetupStringSize)

```

```

' Output setup string to a file:
Dim strPath As String
strPath = "c:\scope\config\setup.dat"
If Len(Dir(strPath)) Then
    Kill strPath ' Remove file if it exists.
End If

' Open file for output.
Dim hFile As Long
hFile = FreeFile
Open strPath For Binary Access Write Lock Write As hFile
Dim lngI As Long
For lngI = 0 To lngSetupStringSize - 1
    Put hFile, , byteArray(lngI) ' Write data.
Next lngI
Close hFile ' Close file.

' Change settings with individual commands:
' -----

' Set vertical scale and offset.
DoCommand ":CHANnel:SCALE 0.05"
Debug.Print "Channel 1 vertical scale: " + _
    DoQueryString(":CHANnel:SCALE?")

DoCommand ":CHANnel:OFFSet -1.5"
Debug.Print "Channel 1 vertical offset: " + _
    DoQueryString(":CHANnel:OFFSet?")

' Set horizontal scale and position.
DoCommand ":TIMEbase:SCALE 0.0002"
Debug.Print "Timebase scale: " + _
    DoQueryString(":TIMEbase:SCALE?")

DoCommand ":TIMEbase:POSition 0.0"
Debug.Print "Timebase position: " + _
    DoQueryString(":TIMEbase:POSition?")

' Set the acquisition type (NORMAL, PEAK, AVERAGE, or HRESOLUTION).
DoCommand ":ACQuire:TYPE NORMAL"
Debug.Print "Acquire type: " + _
    DoQueryString(":ACQuire:TYPE?")

' Or, configure by loading a previously saved setup.
' -----
strPath = "c:\scope\config\setup.dat"
Open strPath For Binary Access Read As hFile ' Open file for input.
Dim lngSetupFileSize As Long
lngSetupFileSize = LOF(hFile) ' Length of file.
Get hFile, , byteArray ' Read data.
Close hFile ' Close file.
' Write learn string back to oscilloscope using ":SYSTEM:SETup"
' command:
Dim lngRestored As Long
lngRestored = DoCommandIEEEBlock(":SYSTEM:SETup", lngSetupFileSize)
Debug.Print "Setup bytes restored: " + CStr(lngRestored)

```

```

' Capture an acquisition using :DIGitize.
' -----
DoCommand ":DIGitize CHANnel1"

End Sub

'
' Analyze the captured waveform.
' -----

Private Sub Analyze()

' Make a couple of measurements.
' -----
DoCommand ":MEASure:SOURce CHANnel1"
Debug.Print "Measure source: " + _
    DoQueryString(":MEASure:SOURce?")

DoCommand ":MEASure:FREQuency"
dblQueryResult = DoQueryNumber(":MEASure:FREQuency?")
MsgBox "Frequency:" + vbCrLf + _
    FormatNumber(dblQueryResult / 1000, 4) + " kHz"

DoCommand ":MEASure:VAMPlitude"
dblQueryResult = DoQueryNumber(":MEASure:VAMPlitude?")
MsgBox "Vertical amplitude:" + vbCrLf + _
    FormatNumber(dblQueryResult, 4) + " V"

' Download the screen image.
' -----
DoCommand ":HARDcopy:INKSaver OFF"

' Get screen image.
Dim lngBlockSize As Long
lngBlockSize = DoQueryIEEEBlock_Bytes(":DISPlay:DATA? PNG, COlor")
Debug.Print "Screen image bytes: " + CStr(lngBlockSize)

' Save screen image to a file:
Dim strPath As String
strPath = "c:\scope\data\screen.png"
If Len(Dir(strPath)) Then
    Kill strPath ' Remove file if it exists.
End If
Dim hFile As Long
hFile = FreeFile
Open strPath For Binary Access Write Lock Write As hFile
Dim lngI As Long
For lngI = 0 To lngBlockSize - 1
    Put hFile, , byteArray(lngI) ' Write data.
Next lngI
Close hFile ' Close file.
MsgBox "Screen image written to " + strPath

' Download waveform data.
' -----

```

```

' Set the waveform points mode.
DoCommand ":WAVEform:POINTs:MODE RAW"
Debug.Print "Waveform points mode: " + _
    DoQueryString(":WAVEform:POINTs:MODE?")

' Get the number of waveform points available.
Debug.Print "Waveform points available: " + _
    DoQueryString(":WAVEform:POINTs?")

' Set the waveform source.
DoCommand ":WAVEform:SOURce CHANnel1"
Debug.Print "Waveform source: " + _
    DoQueryString(":WAVEform:SOURce?")

' Choose the format of the data returned (WORD, BYTE, ASCII):
DoCommand ":WAVEform:FORMat BYTE"
Debug.Print "Waveform format: " + _
    DoQueryString(":WAVEform:FORMat?")

' Display the waveform settings:
Dim intFormat As Integer
Dim intType As Integer
Dim lngPoints As Long
Dim lngCount As Long
Dim dblXIncrement As Double
Dim dblXOrigin As Double
Dim lngXReference As Long
Dim sngYIncrement As Single
Dim lngYOrigin As Long
Dim lngYReference As Long
Dim strOutput As String

Dim lngNumNumbers As Long
lngNumNumbers = DoQueryNumbers(":WAVEform:PREamble?")

intFormat = dblArray(0)
intType = dblArray(1)
lngPoints = dblArray(2)
lngCount = dblArray(3)
dblXIncrement = dblArray(4)
dblXOrigin = dblArray(5)
lngXReference = dblArray(6)
sngYIncrement = dblArray(7)
lngYOrigin = dblArray(8)
lngYReference = dblArray(9)

If intFormat = 0 Then
    Debug.Print "Waveform format: BYTE"
ElseIf intFormat = 1 Then
    Debug.Print "Waveform format: WORD"
ElseIf intFormat = 2 Then
    Debug.Print "Waveform format: ASCii"
End If

If intType = 0 Then
    Debug.Print "Acquisition type: NORMal"

```

```

ElseIf intType = 1 Then
    Debug.Print "Acquisition type: PEAK"
ElseIf intType = 2 Then
    Debug.Print "Acquisition type: AVERage"
ElseIf intType = 3 Then
    Debug.Print "Acquisition type: HRESolution"
End If

Debug.Print "Waveform points: " + _
    FormatNumber(lngPoints, 0)

Debug.Print "Waveform average count: " + _
    FormatNumber(lngCount, 0)

Debug.Print "Waveform X increment: " + _
    Format(dblXIncrement, "Scientific")

Debug.Print "Waveform X origin: " + _
    Format(dblXOrigin, "Scientific")

Debug.Print "Waveform X reference: " + _
    FormatNumber(lngXReference, 0)

Debug.Print "Waveform Y increment: " + _
    Format(sngYIncrement, "Scientific")

Debug.Print "Waveform Y origin: " + _
    FormatNumber(lngYOrigin, 0)

Debug.Print "Waveform Y reference: " + _
    FormatNumber(lngYReference, 0)

' Get the waveform data
Dim lngNumBytes As Long
lngNumBytes = DoQueryIEEEBlock_Bytes(":WAVEform:DATA?")
Debug.Print "Number of data values: " + CStr(lngNumBytes)

' Set up output file:
strPath = "c:\scope\data\waveform_data.csv"

' Open file for output.
Open strPath For Output Access Write Lock Write As hFile

' Output waveform data in CSV format.
Dim lngDataValue As Long

For lngI = 0 To lngNumBytes - 1
    lngDataValue = CLng(byteArray(lngI))

    ' Write time value, voltage value.
    Print #hFile, _
        FormatNumber(dblXOrigin + (lngI * dblXIncrement), 9) + _
        ", " + _
        FormatNumber(((lngDataValue - lngYReference) _
            * sngYIncrement) + lngYOrigin)
Next lngI

```

```

' Close output file.
Close hFile ' Close file.
MsgBox "Waveform format BYTE data written to " + _
      "c:\scope\data\waveform_data.csv."

End Sub

Private Sub DoCommand(command As String)

    err = viVPrintf(vi, command + vbLf, 0)
    If (err <> VI_SUCCESS) Then HandleVISAError vi

    CheckInstrumentErrors

End Sub

Private Function DoCommandIEEEBlock(command As String, _
    lngBlockSize As Long)

    retCount = lngBlockSize

    Dim strCommandAndLength As String
    strCommandAndLength = command + " %#" + _
        Format(lngBlockSize) + "b"

    err = viVPrintf(vi, strCommandAndLength + vbLf, paramsArray(1))
    If (err <> VI_SUCCESS) Then HandleVISAError vi

    DoCommandIEEEBlock = retCount

    CheckInstrumentErrors

End Function

Private Function DoQueryString(query As String) As String

    Dim strResult As String * 200

    err = viVPrintf(vi, query + vbLf, 0)
    If (err <> VI_SUCCESS) Then HandleVISAError vi

    err = viVScanf(vi, "%t", strResult)
    If (err <> VI_SUCCESS) Then HandleVISAError vi

    DoQueryString = strResult

    CheckInstrumentErrors

End Function

Private Function DoQueryNumber(query As String) As Variant

    Dim dblResult As Double

    err = viVPrintf(vi, query + vbLf, 0)
    If (err <> VI_SUCCESS) Then HandleVISAError vi

```

```

    err = viVScanf(vi, "%lf" + vbLf, VarPtr(dblResult))
    If (err <> VI_SUCCESS) Then HandleVISAError vi

    DoQueryNumber = dblResult

    CheckInstrumentErrors

End Function

Private Function DoQueryNumbers(query As String) As Long

    Dim dblResult As Double

    ' Send query.
    err = viVPrintf(vi, query + vbLf, 0)
    If (err <> VI_SUCCESS) Then HandleVISAError vi

    ' Set up paramsArray for multiple parameter query returning array.
    paramsArray(0) = VarPtr(retCount)
    paramsArray(1) = VarPtr(dblArray(0))

    ' Set retCount to max number of elements array can hold.
    retCount = DblArraySize

    ' Read numbers.
    err = viVScanf(vi, "%,#lf" + vbLf, paramsArray(0))
    If (err <> VI_SUCCESS) Then HandleVISAError vi

    ' retCount is now actual number of values returned by query.
    DoQueryNumbers = retCount

    CheckInstrumentErrors

End Function

Private Function DoQueryIEEEBlock_Bytes(query As String) As Long

    ' Send query.
    err = viVPrintf(vi, query + vbLf, 0)
    If (err <> VI_SUCCESS) Then HandleVISAError vi

    ' Set up paramsArray for multiple parameter query returning array.
    paramsArray(0) = VarPtr(retCount)
    paramsArray(1) = VarPtr(byteArray(0))

    ' Set retCount to max number of elements array can hold.
    retCount = ByteArraySize

    ' Get unsigned integer bytes.
    err = viVScanf(vi, "%#b" + vbLf, paramsArray(0))
    If (err <> VI_SUCCESS) Then HandleVISAError vi

    err = viFlush(vi, VI_READ_BUF)
    If (err <> VI_SUCCESS) Then HandleVISAError vi

    err = viFlush(vi, VI_WRITE_BUF)

```



```

If (err <> VI_SUCCESS) Then HandleVISAError vi

' retCount is now actual number of bytes returned by query.
DoQueryIEEEBlock_Bytes = retCount

CheckInstrumentErrors

End Function

Private Sub CheckInstrumentErrors()

On Error GoTo ErrorHandler

Dim strErrVal As String * 200
Dim strOut As String

err = viVPrintf(vi, ":SYSTEM:ERROR?" + vbLf, 0) ' Query any errors.
If (err <> VI_SUCCESS) Then HandleVISAError vi

err = viVScanf(vi, "%t", strErrVal) ' Read: Errnum,"Error String".
If (err <> VI_SUCCESS) Then HandleVISAError vi

While Val(strErrVal) <> 0 ' End if find: 0,"No Error".
strOut = strOut + "INST Error: " + strErrVal

err = viVPrintf(vi, ":SYSTEM:ERROR?" + vbLf, 0) ' Request error.
If (err <> VI_SUCCESS) Then HandleVISAError vi

err = viVScanf(vi, "%t", strErrVal) ' Read error message.
If (err <> VI_SUCCESS) Then HandleVISAError vi

Wend

If Not strOut = "" Then
MsgBox strOut, vbExclamation, "INST Error Messages"

err = viFlush(vi, VI_READ_BUF)
If (err <> VI_SUCCESS) Then HandleVISAError vi

err = viFlush(vi, VI_WRITE_BUF)
If (err <> VI_SUCCESS) Then HandleVISAError vi

End If

Exit Sub

ErrorHandler:

MsgBox "*** Error : " + Error, vbExclamation
End

End Sub

Private Sub HandleVISAError(session As Long)

Dim strVisaErr As String * 200
Call viStatusDesc(session, err, strVisaErr)

```

```

MsgBox "*** VISA Error : " + strVisaErr, vbExclamation

' If the error is not a warning, close the session.
If err < VI_SUCCESS Then
    If session <> 0 Then Call viClose(session)
    End
End If

End Sub

```

## VISA Example in C#

To compile and run this example in Microsoft Visual Studio 2008:

- 1 Open Visual Studio.
- 2 Create a new Visual C#, Windows, Console Application project.
- 3 Cut-and-paste the code that follows into the C# source file.
- 4 Edit the program to use the VISA address of your oscilloscope.
- 5 Add Keysight's VISA header file to your project:
  - a Right-click the project you wish to modify (not the solution) in the Solution Explorer window of the Microsoft Visual Studio environment.
  - b Click **Add** and then click **Add Existing Item...**
  - c Navigate to the header file, visa32.cs (installed with Keysight IO Libraries Suite and found in the Program Files (x86)\IVI Foundation\VISA\WinNT\Include directory), select it, but *do not click the Open button*.
  - d Click the down arrow to the right of the **Add** button, and choose **Add as Link**.

You should now see the file underneath your project in the Solution Explorer. It will have a little arrow icon in its lower left corner, indicating that it is a link.
- 6 Build and run the program.

For more information, see the tutorial on using VISA in Microsoft .NET in the VISA Help that comes with Keysight IO Libraries Suite.

```

/*
 * Keysight VISA Example in C#
 * -----
 * This program illustrates a few commonly used programming
 * features of your Keysight oscilloscope.
 * -----
 */

using System;
using System.IO;
using System.Text;

namespace InfiniiVision
{
    class VisaInstrumentApp

```

```

{
    private static VisaInstrument myScope;

    public static void Main(string[] args)
    {
        try
        {
            myScope = new
                VisaInstrument("USB0::0x0957::0x17A6::US50210029::0::INSTR");
            myScope.SetTimeoutSeconds(10);

            // Initialize - start from a known state.
            Initialize();

            // Capture data.
            Capture();

            // Analyze the captured waveform.
            Analyze();

        }
        catch (System.ApplicationException err)
        {
            Console.WriteLine("*** VISA Error Message : " + err.Message);
        }
        catch (System.SystemException err)
        {
            Console.WriteLine("*** System Error Message : " + err.Message);
        }
        catch (System.Exception err)
        {
            System.Diagnostics.Debug.Fail("Unexpected Error");
            Console.WriteLine("*** Unexpected Error : " + err.Message);
        }
        finally
        {
            myScope.Close();
        }
    }
}

/*
 * Initialize the oscilloscope to a known state.
 * -----
 */
private static void Initialize()
{
    StringBuilder strResults;

    // Get and display the device's *IDN? string.
    strResults = myScope.DoQueryString("*IDN?");
    Console.WriteLine("*IDN? result is: {0}", strResults);

    // Clear status and load the default setup.
    myScope.DoCommand("*CLS");
    myScope.DoCommand("*RST");
}

```

```

/*
 * Capture the waveform.
 * -----
 */
private static void Capture()
{
    // Use auto-scale to automatically configure oscilloscope.
    myScope.DoCommand(":AUToscale");

    // Set trigger mode (EDGE, PULSe, PATtern, etc., and input source.
    myScope.DoCommand(":TRIGger:MODE EDGE");
    Console.WriteLine("Trigger mode: {0}",
        myScope.DoQueryString(":TRIGger:MODE?"));

    // Set EDGE trigger parameters.
    myScope.DoCommand(":TRIGger:EDGE:SOURce CHANnel1");
    Console.WriteLine("Trigger edge source: {0}",
        myScope.DoQueryString(":TRIGger:EDGE:SOURce?"));

    myScope.DoCommand(":TRIGger:EDGE:LEVel 1.5");
    Console.WriteLine("Trigger edge level: {0}",
        myScope.DoQueryString(":TRIGger:EDGE:LEVel?"));

    myScope.DoCommand(":TRIGger:EDGE:SLOPe POSitive");
    Console.WriteLine("Trigger edge slope: {0}",
        myScope.DoQueryString(":TRIGger:EDGE:SLOPe?"));

    // Save oscilloscope configuration.
    byte[] ResultsArray; // Results array.
    int nLength; // Number of bytes returned from instrument.
    string strPath;

    // Query and read setup string.
    nLength = myScope.DoQueryIEEEBlock(":SYSTem:SETup?",
        out ResultsArray);

    // Write setup string to file.
    strPath = "c:\\scope\\config\\setup.stp";
    FileStream fStream = File.Open(strPath, FileMode.Create);
    fStream.Write(ResultsArray, 0, nLength);
    fStream.Close();
    Console.WriteLine("Setup bytes saved: {0}", nLength);

    // Change settings with individual commands:

    // Set vertical scale and offset.
    myScope.DoCommand(":CHANnel1:SCALe 0.05");
    Console.WriteLine("Channel 1 vertical scale: {0}",
        myScope.DoQueryString(":CHANnel1:SCALe?"));

    myScope.DoCommand(":CHANnel1:OFFSet -1.5");
    Console.WriteLine("Channel 1 vertical offset: {0}",
        myScope.DoQueryString(":CHANnel1:OFFSet?"));

    // Set horizontal scale and position.
    myScope.DoCommand(":TIMEbase:SCALe 0.0002");
    Console.WriteLine("Timebase scale: {0}",

```

```

        myScope.DoQueryString(":TIMEbase:SCALE?"));

myScope.DoCommand(":TIMEbase:POSition 0.0");
Console.WriteLine("Timebase position: {0}",
    myScope.DoQueryString(":TIMEbase:POSition?"));

// Set the acquisition type (NORMal, PEAK, AVERage, or HRESolution
).
myScope.DoCommand(":ACquire:TYPE NORMal");
Console.WriteLine("Acquire type: {0}",
    myScope.DoQueryString(":ACquire:TYPE?"));

// Or, configure by loading a previously saved setup.
byte[] dataArray;
int nBytesWritten;

// Read setup string from file.
strPath = "c:\\scope\\config\\setup.stp";
dataArray = File.ReadAllBytes(strPath);

// Restore setup string.
nBytesWritten = myScope.DoCommandIEEEBlock(":SYSTEM:SETup",
    dataArray);
Console.WriteLine("Setup bytes restored: {0}", nBytesWritten);

// Capture an acquisition using :DIGitize.
myScope.DoCommand(":DIGitize CHANnel1");
}

/*
 * Analyze the captured waveform.
 * -----
 */
private static void Analyze()
{
    byte[] ResultsArray; // Results array.
    int nLength; // Number of bytes returned from instrument.
    string strPath;

    // Make a couple of measurements.
    // -----
    myScope.DoCommand(":MEASure:SOURce CHANnel1");
    Console.WriteLine("Measure source: {0}",
        myScope.DoQueryString(":MEASure:SOURce?"));

    double fResult;
    myScope.DoCommand(":MEASure:FREquency");
    fResult = myScope.DoQueryNumber(":MEASure:FREquency?");
    Console.WriteLine("Frequency: {0:F4} kHz", fResult / 1000);

    myScope.DoCommand(":MEASure:VAMplitude");
    fResult = myScope.DoQueryNumber(":MEASure:VAMplitude?");
    Console.WriteLine("Vertical amplitude: {0:F2} V", fResult);

    // Download the screen image.
    // -----
    myScope.DoCommand(":HARDcopy:INKSaver OFF");

```

```

// Get the screen data.
nLength = myScope.DoQueryIEEEBlock(":DISPlay:DATA? PNG, COlOr",
    out ResultsArray);

// Store the screen data to a file.
strPath = "c:\\scope\\data\\screen.png";
FileStream fStream = File.Open(strPath, FileMode.Create);
fStream.Write(ResultsArray, 0, nLength);
fStream.Close();
Console.WriteLine("Screen image ({0} bytes) written to {1}",
    nLength, strPath);

// Download waveform data.
// -----

// Set the waveform points mode.
myScope.DoCommand(":WAVeform:POINts:MODE RAW");
Console.WriteLine("Waveform points mode: {0}",
    myScope.DoQueryString(":WAVeform:POINts:MODE?"));

// Get the number of waveform points available.
myScope.DoCommand(":WAVeform:POINts 10240");
Console.WriteLine("Waveform points available: {0}",
    myScope.DoQueryString(":WAVeform:POINts?"));

// Set the waveform source.
myScope.DoCommand(":WAVeform:SOURce CHANnel1");
Console.WriteLine("Waveform source: {0}",
    myScope.DoQueryString(":WAVeform:SOURce?"));

// Choose the format of the data returned (WORD, BYTE, ASCII):
myScope.DoCommand(":WAVeform:FORMat BYTE");
Console.WriteLine("Waveform format: {0}",
    myScope.DoQueryString(":WAVeform:FORMat?"));

// Display the waveform settings:
double[] fResultsArray;
fResultsArray = myScope.DoQueryNumbers(":WAVeform:PREAmble?");

double fFormat = fResultsArray[0];
if (fFormat == 0.0)
{
    Console.WriteLine("Waveform format: BYTE");
}
else if (fFormat == 1.0)
{
    Console.WriteLine("Waveform format: WORD");
}
else if (fFormat == 2.0)
{
    Console.WriteLine("Waveform format: ASCii");
}

double fType = fResultsArray[1];
if (fType == 0.0)
{

```

```

        Console.WriteLine("Acquire type: NORMAl");
    }
    else if (fType == 1.0)
    {
        Console.WriteLine("Acquire type: PEAK");
    }
    else if (fType == 2.0)
    {
        Console.WriteLine("Acquire type: AVERAge");
    }
    else if (fType == 3.0)
    {
        Console.WriteLine("Acquire type: HRESolution");
    }

    double fPoints = fResultsArray[2];
    Console.WriteLine("Waveform points: {0:e}", fPoints);

    double fCount = fResultsArray[3];
    Console.WriteLine("Waveform average count: {0:e}", fCount);

    double fXincrement = fResultsArray[4];
    Console.WriteLine("Waveform X increment: {0:e}", fXincrement);

    double fXorigin = fResultsArray[5];
    Console.WriteLine("Waveform X origin: {0:e}", fXorigin);

    double fXreference = fResultsArray[6];
    Console.WriteLine("Waveform X reference: {0:e}", fXreference);

    double fYincrement = fResultsArray[7];
    Console.WriteLine("Waveform Y increment: {0:e}", fYincrement);

    double fYorigin = fResultsArray[8];
    Console.WriteLine("Waveform Y origin: {0:e}", fYorigin);

    double fYreference = fResultsArray[9];
    Console.WriteLine("Waveform Y reference: {0:e}", fYreference);

    // Read waveform data.
    nLength = myScope.DoQueryIEEEBlock(":WAVEform:DATA?",
        out ResultsArray);
    Console.WriteLine("Number of data values: {0}", nLength);

    // Set up output file:
    strPath = "c:\\scope\\data\\waveform_data.csv";
    if (File.Exists(strPath)) File.Delete(strPath);

    // Open file for output.
    StreamWriter writer = File.CreateText(strPath);

    // Output waveform data in CSV format.
    for (int i = 0; i < nLength - 1; i++)
        writer.WriteLine("{0:f9}, {1:f6}",
            fXorigin + ((float)i * fXincrement),
            (((float)ResultsArray[i] - fYreference) *
            fYincrement) + fYorigin);

```

```

        // Close output file.
        writer.Close();
        Console.WriteLine("Waveform format BYTE data written to {0}",
            strPath);
    }
}

class VisaInstrument
{
    private int m_nResourceManager;
    private int m_nSession;
    private string m_strVisaAddress;

    // Constructor.
    public VisaInstrument(string strVisaAddress)
    {
        // Save VISA address in member variable.
        m_strVisaAddress = strVisaAddress;

        // Open the default VISA resource manager.
        OpenResourceManager();

        // Open a VISA resource session.
        OpenSession();

        // Clear the interface.
        int nViStatus;
        nViStatus = visa32.viClear(m_nSession);
    }

    public void DoCommand(string strCommand)
    {
        // Send the command.
        VisaSendCommandOrQuery(strCommand);

        // Check for inst errors.
        CheckInstrumentErrors(strCommand);
    }

    public int DoCommandIEEEBlock(string strCommand,
        byte[] dataArray)
    {
        // Send the command to the device.
        string strCommandAndLength;
        int nViStatus, nLength, nBytesWritten;

        nLength = dataArray.Length;
        strCommandAndLength = String.Format("{0} #8%08d",
            strCommand);

        // Write first part of command to formatted I/O write buffer.
        nViStatus = visa32.viPrintf(m_nSession, strCommandAndLength,
            nLength);
        CheckVisaStatus(nViStatus);

        // Write the data to the formatted I/O write buffer.
    }
}

```



```

nViStatus = visa32.viBufWrite(m_nSession, dataArray, nLength,
    out nBytesWritten);
CheckVisaStatus(nViStatus);

// Check for inst errors.
CheckInstrumentErrors(strCommand);

return nBytesWritten;
}

public StringBuilder DoQueryString(string strQuery)
{
    // Send the query.
    VisaSendCommandOrQuery(strQuery);

    // Get the result string.
    StringBuilder strResults = new StringBuilder(1000);
    strResults = VisaGetResultString();

    // Check for inst errors.
    CheckInstrumentErrors(strQuery);

    // Return string results.
    return strResults;
}

public double DoQueryNumber(string strQuery)
{
    // Send the query.
    VisaSendCommandOrQuery(strQuery);

    // Get the result string.
    double fResults;
    fResults = VisaGetResultNumber();

    // Check for inst errors.
    CheckInstrumentErrors(strQuery);

    // Return string results.
    return fResults;
}

public double[] DoQueryNumbers(string strQuery)
{
    // Send the query.
    VisaSendCommandOrQuery(strQuery);

    // Get the result string.
    double[] fResultsArray;
    fResultsArray = VisaGetResultNumbers();

    // Check for inst errors.
    CheckInstrumentErrors(strQuery);

    // Return string results.
    return fResultsArray;
}

```

```

public int DoQueryIEEEBlock(string strQuery,
    out byte[] ResultsArray)
{
    // Send the query.
    VisaSendCommandOrQuery(strQuery);

    // Get the result string.
    int length; // Number of bytes returned from instrument.
    length = VisaGetResultIEEEBlock(out ResultsArray);

    // Check for inst errors.
    CheckInstrumentErrors(strQuery);

    // Return string results.
    return length;
}

private void VisaSendCommandOrQuery(string strCommandOrQuery)
{
    // Send command or query to the device.
    string strWithNewline;
    strWithNewline = String.Format("{0}\n", strCommandOrQuery);
    int nViStatus;
    nViStatus = visa32.viPrintf(m_nSession, strWithNewline);
    CheckVisaStatus(nViStatus);
}

private StringBuilder VisaGetResultString()
{
    StringBuilder strResults = new StringBuilder(1000);

    // Read return value string from the device.
    int nViStatus;
    nViStatus = visa32.viScanf(m_nSession, "%1000t", strResults);
    CheckVisaStatus(nViStatus);

    return strResults;
}

private double VisaGetResultNumber()
{
    double fResults = 0;

    // Read return value string from the device.
    int nViStatus;
    nViStatus = visa32.viScanf(m_nSession, "%lf", out fResults);
    CheckVisaStatus(nViStatus);

    return fResults;
}

private double[] VisaGetResultNumbers()
{
    double[] fResultsArray;
    fResultsArray = new double[10];
}

```

```

    // Read return value string from the device.
    int nViStatus;
    nViStatus = visa32.viScanf(m_nSession, "%,10lf\n",
        fResultsArray);
    CheckVisaStatus(nViStatus);

    return fResultsArray;
}

private int VisaGetResultIEEEBlock(out byte[] ResultsArray)
{
    // Results array, big enough to hold a PNG.
    ResultsArray = new byte[300000];
    int length;    // Number of bytes returned from instrument.

    // Set the default number of bytes that will be contained in
    // the ResultsArray to 300,000 (300kB).
    length = 300000;

    // Read return value string from the device.
    int nViStatus;
    nViStatus = visa32.viScanf(m_nSession, "%#b", ref length,
        ResultsArray);
    CheckVisaStatus(nViStatus);

    // Write and read buffers need to be flushed after IEEE block?
    nViStatus = visa32.viFlush(m_nSession, visa32.VI_WRITE_BUF);
    CheckVisaStatus(nViStatus);

    nViStatus = visa32.viFlush(m_nSession, visa32.VI_READ_BUF);
    CheckVisaStatus(nViStatus);

    return length;
}

private void CheckInstrumentErrors(string strCommand)
{
    // Check for instrument errors.
    StringBuilder strInstrumentError = new StringBuilder(1000);
    bool bFirstError = true;

    do    // While not "0,No error"
    {
        VisaSendCommandOrQuery(":SYSTem:ERRor?");
        strInstrumentError = VisaGetResultString();

        if (!strInstrumentError.ToString().StartsWith("+0, "))
        {
            if (bFirstError)
            {
                Console.WriteLine("ERROR(s) for command '{0}': ",
                    strCommand);
                bFirstError = false;
            }
            Console.Write(strInstrumentError);
        }
    } while (!strInstrumentError.ToString().StartsWith("+0, "));
}

```

```

    }

    private void OpenResourceManager()
    {
        int nViStatus;
        nViStatus =
            visa32.viOpenDefaultRM(out this.m_nResourceManager);
        if (nViStatus < visa32.VI_SUCCESS)
            throw new
                ApplicationException("Failed to open Resource Manager");
    }

    private void OpenSession()
    {
        int nViStatus;
        nViStatus = visa32.viOpen(this.m_nResourceManager,
            this.m_strVisaAddress, visa32.VI_NO_LOCK,
            visa32.VI_TMO_IMMEDIATE, out this.m_nSession);
        CheckVisaStatus(nViStatus);
    }

    public void SetTimeoutSeconds(int nSeconds)
    {
        int nViStatus;
        nViStatus = visa32.viSetAttribute(this.m_nSession,
            visa32.VI_ATTR_TMO_VALUE, nSeconds * 1000);
        CheckVisaStatus(nViStatus);
    }

    public void CheckVisaStatus(int nViStatus)
    {
        // If VISA error, throw exception.
        if (nViStatus < visa32.VI_SUCCESS)
        {
            StringBuilder strError = new StringBuilder(256);
            visa32.viStatusDesc(this.m_nResourceManager, nViStatus,
                strError);
            throw new ApplicationException(strError.ToString());
        }
    }

    public void Close()
    {
        if (m_nSession != 0)
            visa32.viClose(m_nSession);
        if (m_nResourceManager != 0)
            visa32.viClose(m_nResourceManager);
    }
}
}

```

## VISA Example in Visual Basic .NET

To compile and run this example in Microsoft Visual Studio 2008:

- 1 Open Visual Studio.
- 2 Create a new Visual Basic, Windows, Console Application project.
- 3 Cut-and-paste the code that follows into the Visual Basic .NET source file.
- 4 Edit the program to use the VISA address of your oscilloscope.
- 5 Add Keysight's VISA header file to your project:
  - a Right-click the project you wish to modify (not the solution) in the Solution Explorer window of the Microsoft Visual Studio environment.
  - b Choose **Add** and then choose **Add Existing Item...**
  - c Navigate to the header file, visa32.vb (installed with Keysight IO Libraries Suite and found in the Program Files (x86)\IVI Foundation\VISA\WinNT\Include directory), select it, but *do not click the Open button*.
  - d Click the down arrow to the right of the **Add** button, and choose **Add as Link**.  
  
You should now see the file underneath your project in the Solution Explorer. It will have a little arrow icon in its lower left corner, indicating that it is a link.
  - e Right-click the project again and choose **Properties**; then, select "InfiniiVision.VisaInstrumentApp" as the **Startup object**.
- 6 Build and run the program.

For more information, see the tutorial on using VISA in Microsoft .NET in the VISA Help that comes with Keysight IO Libraries Suite.

```
'
' Keysight VISA Example in Visual Basic .NET
' -----
' This program illustrates a few commonly-used programming
' features of your Keysight oscilloscope.
' -----

Imports System
Imports System.IO
Imports System.Text

Namespace InfiniiVision
  Class VisaInstrumentApp
    Private Shared myScope As VisaInstrument

    Public Shared Sub Main(ByVal args As String())
      Try
        myScope = _
          New VisaInstrument("USB0::0x0957::0x17A6::US50210029::0::INSTR
")
        myScope.SetTimeoutSeconds(10)
      End Try
    End Sub
  End Class
End Namespace
```

```

    ' Initialize - start from a known state.
    Initialize()

    ' Capture data.
    Capture()

    ' Analyze the captured waveform.
    Analyze()

Catch err As System.ApplicationException
    Console.WriteLine("*** VISA Error Message : " + err.Message)
Catch err As System.SystemException
    Console.WriteLine("*** System Error Message : " + err.Message)
Catch err As System.Exception
    Debug.Fail("Unexpected Error")
    Console.WriteLine("*** Unexpected Error : " + err.Message)
End Try
End Sub

'
' Initialize the oscilloscope to a known state.
' -----

Private Shared Sub Initialize()
    Dim strResults As StringBuilder

    ' Get and display the device's *IDN? string.
    strResults = myScope.DoQueryString("*IDN?")
    Console.WriteLine("*IDN? result is: {0}", strResults)

    ' Clear status and load the default setup.
    myScope.DoCommand("*CLS")
    myScope.DoCommand("*RST")

End Sub

'
' Capture the waveform.
' -----

Private Shared Sub Capture()

    ' Use auto-scale to automatically configure oscilloscope.
    myScope.DoCommand(":AUToscale")

    ' Set trigger mode (EDGE, PULSe, PATtern, etc., and input source.
    myScope.DoCommand(":TRIGger:MODE EDGE")
    Console.WriteLine("Trigger mode: {0}", _
        myScope.DoQueryString(":TRIGger:MODE?"))

    ' Set EDGE trigger parameters.
    myScope.DoCommand(":TRIGger:EDGE:SOURce CHANnel1")
    Console.WriteLine("Trigger edge source: {0}", _
        myScope.DoQueryString(":TRIGger:EDGE:SOURce?"))

    myScope.DoCommand(":TRIGger:EDGE:LEVel 1.5")
    Console.WriteLine("Trigger edge level: {0}", _

```

```

myScope.DoQueryString(":TRIGger:EDGE:LEVel?")

myScope.DoCommand(":TRIGger:EDGE:SLOPe POSitive")
Console.WriteLine("Trigger edge slope: {0}", _
    myScope.DoQueryString(":TRIGger:EDGE:SLOPe?"))

' Save oscilloscope configuration.
Dim ResultsArray As Byte() ' Results array.
Dim nLength As Integer ' Number of bytes returned from inst.
Dim strPath As String
Dim fStream As FileStream

' Query and read setup string.
nLength = myScope.DoQueryIEEEBlock(":SYSTem:SETUp?", _
    ResultsArray)

' Write setup string to file.
strPath = "c:\scope\config\setup.stp"
fStream = File.Open(strPath, FileMode.Create)
fStream.Write(ResultsArray, 0, nLength)
fStream.Close()
Console.WriteLine("Setup bytes saved: {0}", nLength)

' Change settings with individual commands:

' Set vertical scale and offset.
myScope.DoCommand(":CHANnel1:SCALe 0.05")
Console.WriteLine("Channel 1 vertical scale: {0}", _
    myScope.DoQueryString(":CHANnel1:SCALe?"))

myScope.DoCommand(":CHANnel1:OFFSet -1.5")
Console.WriteLine("Channel 1 vertical offset: {0}", _
    myScope.DoQueryString(":CHANnel1:OFFSet?"))

' Set horizontal scale and position.
myScope.DoCommand(":TIMEbase:SCALe 0.0002")
Console.WriteLine("Timebase scale: {0}", _
    myScope.DoQueryString(":TIMEbase:SCALe?"))

myScope.DoCommand(":TIMEbase:POSition 0.0")
Console.WriteLine("Timebase position: {0}", _
    myScope.DoQueryString(":TIMEbase:POSition?"))

' Set the acquisition type (NORMal, PEAK, AVERAge, or HRESolution)

myScope.DoCommand(":ACQuire:TYPE NORMal")
Console.WriteLine("Acquire type: {0}", _
    myScope.DoQueryString(":ACQuire:TYPE?"))

' Or, configure by loading a previously saved setup.
Dim dataArray As Byte()
Dim nBytesWritten As Integer

' Read setup string from file.
strPath = "c:\scope\config\setup.stp"
dataArray = File.ReadAllBytes(strPath)

```

```

' Restore setup string.
nBytesWritten = myScope.DoCommandIEEEBlock(":SYSTem:SETup", _
    dataArray)
Console.WriteLine("Setup bytes restored: {0}", nBytesWritten)

' Capture an acquisition using :DIGitize.
myScope.DoCommand(":DIGitize CHANnel1")

End Sub

'
' Analyze the captured waveform.
' -----

Private Shared Sub Analyze()

    Dim fResult As Double
    Dim ResultsArray As Byte() ' Results array.
    Dim nLength As Integer ' Number of bytes returned from inst.
    Dim strPath As String

    ' Make a couple of measurements.
    ' -----
    myScope.DoCommand(":MEASure:SOURce CHANnel1")
    Console.WriteLine("Measure source: {0}", _
        myScope.DoQueryString(":MEASure:SOURce?"))

    myScope.DoCommand(":MEASure:FREQuency")
    fResult = myScope.DoQueryNumber(":MEASure:FREQuency?")
    Console.WriteLine("Frequency: {0:F4} kHz", fResult / 1000)

    myScope.DoCommand(":MEASure:VAMplitude")
    fResult = myScope.DoQueryNumber(":MEASure:VAMplitude?")
    Console.WriteLine("Vertical amplitude: {0:F2} V", fResult)

    ' Download the screen image.
    ' -----
    myScope.DoCommand(":HARDcopy:INKSaver OFF")

    ' Get the screen data.
    nLength = myScope.DoQueryIEEEBlock(":DISPlay:DATA? PNG, COLor", _
        ResultsArray)

    ' Store the screen data to a file.
    strPath = "c:\scope\data\screen.png"
    Dim fStream As FileStream
    fStream = File.Open(strPath, FileMode.Create)
    fStream.Write(ResultsArray, 0, nLength)
    fStream.Close()
    Console.WriteLine("Screen image ({0} bytes) written to {1}", _
        nLength, strPath)

    ' Download waveform data.
    ' -----

    ' Set the waveform points mode.
    myScope.DoCommand(":WAVEform:POINts:MODE RAW")

```



```

Console.WriteLine("Waveform points mode: {0}", _
    myScope.DoQueryString(":WAVEform:POINTs:MODE?"))

' Get the number of waveform points available.
myScope.DoCommand(":WAVEform:POINTs 10240")
Console.WriteLine("Waveform points available: {0}", _
    myScope.DoQueryString(":WAVEform:POINTs?"))

' Set the waveform source.
myScope.DoCommand(":WAVEform:SOURce CHANnel1")
Console.WriteLine("Waveform source: {0}", _
    myScope.DoQueryString(":WAVEform:SOURce?"))

' Choose the format of the data returned (WORD, BYTE, ASCII):
myScope.DoCommand(":WAVEform:FORMat BYTE")
Console.WriteLine("Waveform format: {0}", _
    myScope.DoQueryString(":WAVEform:FORMat?"))

' Display the waveform settings:
Dim fResultsArray As Double()
fResultsArray = myScope.DoQueryNumbers(":WAVEform:PREAmble?")

Dim fFormat As Double = fResultsArray(0)
If fFormat = 0 Then
    Console.WriteLine("Waveform format: BYTE")
ElseIf fFormat = 1 Then
    Console.WriteLine("Waveform format: WORD")
ElseIf fFormat = 2 Then
    Console.WriteLine("Waveform format: ASCii")
End If

Dim fType As Double = fResultsArray(1)
If fType = 0 Then
    Console.WriteLine("Acquire type: NORMAl")
ElseIf fType = 1 Then
    Console.WriteLine("Acquire type: PEAK")
ElseIf fType = 2 Then
    Console.WriteLine("Acquire type: AVERAge")
ElseIf fType = 3 Then
    Console.WriteLine("Acquire type: HRESolution")
End If

Dim fPoints As Double = fResultsArray(2)
Console.WriteLine("Waveform points: {0:e}", fPoints)

Dim fCount As Double = fResultsArray(3)
Console.WriteLine("Waveform average count: {0:e}", fCount)

Dim fXincrement As Double = fResultsArray(4)
Console.WriteLine("Waveform X increment: {0:e}", fXincrement)

Dim fXorigin As Double = fResultsArray(5)
Console.WriteLine("Waveform X origin: {0:e}", fXorigin)

Dim fXreference As Double = fResultsArray(6)
Console.WriteLine("Waveform X reference: {0:e}", fXreference)

```

```

Dim fYincrement As Double = fResultsArray(7)
Console.WriteLine("Waveform Y increment: {0:e}", fYincrement)

Dim fYorigin As Double = fResultsArray(8)
Console.WriteLine("Waveform Y origin: {0:e}", fYorigin)

Dim fYreference As Double = fResultsArray(9)
Console.WriteLine("Waveform Y reference: {0:e}", fYreference)

' Get the waveform data.
nLength = myScope.DoQueryIEEEBlock(":WAVEform:DATA?", _
    ResultsArray)
Console.WriteLine("Number of data values: {0}", nLength)

' Set up output file:
strPath = "c:\scope\data\waveform_data.csv"
If File.Exists(strPath) Then
    File.Delete(strPath)
End If

' Open file for output.
Dim writer As StreamWriter = File.CreateText(strPath)

' Output waveform data in CSV format.
For index As Integer = 0 To nLength - 1
    ' Write time value, voltage value.
    writer.WriteLine("{0:f9}, {1:f6}", _
        fXorigin + (CSng(index) * fXincrement), _
        ((CSng(ResultsArray(index)) - fYreference) _
        * fYincrement) + fYorigin)
Next

' Close output file.
writer.Close()
Console.WriteLine("Waveform format BYTE data written to {0}", _
    strPath)

End Sub

End Class

Class VisaInstrument
Private m_nResourceManager As Integer
Private m_nSession As Integer
Private m_strVisaAddress As String

' Constructor.
Public Sub New(ByVal strVisaAddress As String)
    ' Save VISA address in member variable.
    m_strVisaAddress = strVisaAddress

    ' Open the default VISA resource manager.
    OpenResourceManager()

    ' Open a VISA resource session.
    OpenSession()

```

```

    ' Clear the interface.
    Dim nViStatus As Integer
    nViStatus = visa32.viClear(m_nSession)
End Sub

Public Sub DoCommand(ByVal strCommand As String)
    ' Send the command.
    VisaSendCommandOrQuery(strCommand)

    ' Check for inst errors.
    CheckInstrumentErrors(strCommand)

End Sub

Public Function DoCommandIEEEBlock(ByVal strCommand As String, _
    ByVal dataArray As Byte()) As Integer

    ' Send the command to the device.
    Dim strCommandAndLength As String
    Dim nViStatus As Integer
    Dim nLength As Integer
    Dim nBytesWritten As Integer

    nLength = dataArray.Length
    strCommandAndLength = [String].Format("{0} #8{1:D8}", _
        strCommand, nLength)

    ' Write first part of command to formatted I/O write buffer.
    nViStatus = visa32.viPrintf(m_nSession, strCommandAndLength)
    CheckVisaStatus(nViStatus)

    ' Write the data to the formatted I/O write buffer.
    nViStatus = visa32.viBufWrite(m_nSession, dataArray, nLength, _
        nBytesWritten)
    CheckVisaStatus(nViStatus)

    ' Check for inst errors.
    CheckInstrumentErrors(strCommand)

    Return nBytesWritten
End Function

Public Function DoQueryString(ByVal strQuery As String) _
    As StringBuilder
    ' Send the query.
    VisaSendCommandOrQuery(strQuery)

    ' Get the result string.
    Dim strResults As New StringBuilder(1000)
    strResults = VisaGetResultString()

    ' Check for inst errors.
    CheckInstrumentErrors(strQuery)

    ' Return string results.
    Return strResults
End Function

```

```

Public Function DoQueryNumber(ByVal strQuery As String) As Double
    ' Send the query.
    VisaSendCommandOrQuery(strQuery)

    ' Get the result string.
    Dim fResults As Double
    fResults = VisaGetResultNumber()

    ' Check for inst errors.
    CheckInstrumentErrors(strQuery)

    ' Return string results.
    Return fResults
End Function

Public Function DoQueryNumbers(ByVal strQuery As String) _
    As Double()
    ' Send the query.
    VisaSendCommandOrQuery(strQuery)

    ' Get the result string.
    Dim fResultsArray As Double()
    fResultsArray = VisaGetResultNumbers()

    ' Check for instrument errors (another command and result).
    CheckInstrumentErrors(strQuery)

    ' Return string results.
    Return fResultsArray
End Function

Public Function DoQueryIEEEBlock(ByVal strQuery As String, _
    ByRef ResultsArray As Byte()) As Integer
    ' Send the query.
    VisaSendCommandOrQuery(strQuery)

    ' Get the result string.
    System.Threading.Thread.Sleep(2000) ' Delay before reading data.
    Dim length As Integer
    ' Number of bytes returned from instrument.
    length = VisaGetResultIEEEBlock(ResultsArray)

    ' Check for inst errors.
    CheckInstrumentErrors(strQuery)

    ' Return string results.
    Return length
End Function

Private Sub VisaSendCommandOrQuery(ByVal strCommandOrQuery _
    As String)
    ' Send command or query to the device.
    Dim strWithNewline As String
    strWithNewline = [String].Format("{0}" & Chr(10) & "", _
        strCommandOrQuery)
    Dim nViStatus As Integer

```

```

    nViStatus = visa32.viPrintf(m_nSession, strWithNewline)
    CheckVisaStatus(nViStatus)
End Sub

Private Function VisaGetResultString() As StringBuilder
    Dim strResults As New StringBuilder(1000)

    ' Read return value string from the device.
    Dim nViStatus As Integer
    nViStatus = visa32.viScanf(m_nSession, "%1000t", strResults)
    CheckVisaStatus(nViStatus)

    Return strResults
End Function

Private Function VisaGetResultNumber() As Double
    Dim fResults As Double = 0

    ' Read return value string from the device.
    Dim nViStatus As Integer
    nViStatus = visa32.viScanf(m_nSession, "%lf", fResults)
    CheckVisaStatus(nViStatus)

    Return fResults
End Function

Private Function VisaGetResultNumbers() As Double()
    Dim fResultsArray As Double()
    fResultsArray = New Double(9) {}

    ' Read return value string from the device.
    Dim nViStatus As Integer
    nViStatus = visa32.viScanf(m_nSession, _
        "%,10lf" & Chr(10) & "", fResultsArray)
    CheckVisaStatus(nViStatus)

    Return fResultsArray
End Function

Private Function VisaGetResultIEEEBlock(ByRef ResultsArray _
    As Byte()) As Integer
    ' Results array, big enough to hold a PNG.
    ResultsArray = New Byte(299999) {}
    Dim length As Integer
    ' Number of bytes returned from instrument.
    ' Set the default number of bytes that will be contained in
    ' the ResultsArray to 300,000 (300kB).
    length = 300000

    ' Read return value string from the device.
    Dim nViStatus As Integer
    nViStatus = visa32.viScanf(m_nSession, "%#b", length, _
        ResultsArray)
    CheckVisaStatus(nViStatus)

    ' Write and read buffers need to be flushed after IEEE block?
    nViStatus = visa32.viFlush(m_nSession, visa32.VI_WRITE_BUF)

```

```

    CheckVisaStatus(nViStatus)

    nViStatus = visa32.viFlush(m_nSession, visa32.VI_READ_BUF)
    CheckVisaStatus(nViStatus)

    Return length
End Function

Private Sub CheckInstrumentErrors(ByVal strCommand As String)
    ' Check for instrument errors.
    Dim strInstrumentError As New StringBuilder(1000)
    Dim bFirstError As Boolean = True
    Do ' While not "0,No error"
        VisaSendCommandOrQuery(":SYSTem:ERRor?")
        strInstrumentError = VisaGetResultString()

        If Not strInstrumentError.ToString().StartsWith("+0,") Then
            If bFirstError Then
                Console.WriteLine("ERROR(s) for command '{0}': ", _
                    strCommand)
                bFirstError = False
            End If
            Console.Write(strInstrumentError)
        End If
    Loop While Not strInstrumentError.ToString().StartsWith("+0,")
End Sub

Private Sub OpenResourceManager()
    Dim nViStatus As Integer
    nViStatus = visa32.viOpenDefaultRM(Me.m_nResourceManager)
    If nViStatus < visa32.VI_SUCCESS Then
        Throw New _
            ApplicationException("Failed to open Resource Manager")
    End If
End Sub

Private Sub OpenSession()
    Dim nViStatus As Integer
    nViStatus = visa32.viOpen(Me.m_nResourceManager, _
        Me.m_strVisaAddress, visa32.VI_NO_LOCK, _
        visa32.VI_TMO_IMMEDIATE, Me.m_nSession)
    CheckVisaStatus(nViStatus)
End Sub

Public Sub SetTimeoutSeconds(ByVal nSeconds As Integer)
    Dim nViStatus As Integer
    nViStatus = visa32.viSetAttribute(Me.m_nSession, _
        visa32.VI_ATTR_TMO_VALUE, nSeconds * 1000)
    CheckVisaStatus(nViStatus)
End Sub

Public Sub CheckVisaStatus(ByVal nViStatus As Integer)
    ' If VISA error, throw exception.
    If nViStatus < visa32.VI_SUCCESS Then
        Dim strError As New StringBuilder(256)
        visa32.viStatusDesc(Me.m_nResourceManager, nViStatus, strError)
        Throw New ApplicationException(strError.ToString())
    End If
End Sub

```

```

        End If
    End Sub

    Public Sub Close()
        If m_nSession <> 0 Then
            visa32.viClose(m_nSession)
        End If
        If m_nResourceManager <> 0 Then
            visa32.viClose(m_nResourceManager)
        End If
    End Sub
End Class
End Namespace

```

## VISA Example in Python 3

You can use the Python programming language with the PyVISA package to control Keysight InfiniiVision Series oscilloscopes.

The Python language and PyVISA package can be downloaded from the web at <http://www.python.org/> and <http://pyvisa.readthedocs.io/>, respectively.

To run this example with Python and PyVISA:

- 1 Cut-and-paste the code that follows into a file named "example.py".
- 2 Edit the program to use the VISA address of your oscilloscope.
- 3 If "python.exe" can be found via your PATH environment variable, open a Command Prompt window; then, change to the folder that contains the "example.py" file, and enter:

```

python example.py

#!python3

# *****
# This program illustrates a few commonly-used programming
# features of your Keysight oscilloscope.
# *****

# Import modules.
# -----
import visa
import string
import struct
import sys

# Global variables (booleans: 0 = False, 1 = True).
# -----
debug = 0

# =====
# Initialize:
# =====
def initialize():

```

```

# Get and display the device's *IDN? string.
idn_string = do_query_string("*IDN?")
print("Identification string: '%s'" % idn_string)

# Clear status and load the default setup.
do_command("*CLS")
do_command("*RST")

# =====
# Capture:
# =====
def capture():

# Use auto-scale to automatically set up oscilloscope.
print("Autoscale.")
do_command(":AUToscale")

# Set trigger mode.
do_command(":TRIGger:MODE EDGE")
qresult = do_query_string(":TRIGger:MODE?")
print("Trigger mode: %s" % qresult)

# Set EDGE trigger parameters.
do_command(":TRIGger:EDGE:SOURce CHANnel1")
qresult = do_query_string(":TRIGger:EDGE:SOURce?")
print("Trigger edge source: %s" % qresult)

do_command(":TRIGger:EDGE:LEVel 1.5")
qresult = do_query_string(":TRIGger:EDGE:LEVel?")
print("Trigger edge level: %s" % qresult)

do_command(":TRIGger:EDGE:SLOPe POSitive")
qresult = do_query_string(":TRIGger:EDGE:SLOPe?")
print("Trigger edge slope: %s" % qresult)

# Save oscilloscope setup.
sSetup = do_query_ieee_block(":SYSTem:SETup?")

f = open("setup.stp", "wb")
f.write(sSetup)
f.close()
print("Setup bytes saved: %d" % len(sSetup))

# Change oscilloscope settings with individual commands:

# Set vertical scale and offset.
do_command(":CHANnel1:SCALe 0.05")
qresult = do_query_string(":CHANnel1:SCALe?")
print("Channel 1 vertical scale: %s" % qresult)

do_command(":CHANnel1:OFFSet -1.5")
qresult = do_query_string(":CHANnel1:OFFSet?")
print("Channel 1 offset: %s" % qresult)

# Set horizontal scale and offset.

```



```

do_command(":TIMEbase:SCALE 0.0002")
qresult = do_query_string(":TIMEbase:SCALE?")
print("Timebase scale: %s" % qresult)

do_command(":TIMEbase:POSition 0.0")
qresult = do_query_string(":TIMEbase:POSition?")
print("Timebase position: %s" % qresult)

# Set the acquisition type.
do_command(":ACQUIRE:TYPE NORMAL")
qresult = do_query_string(":ACQUIRE:TYPE?")
print("Acquire type: %s" % qresult)

# Or, set up oscilloscope by loading a previously saved setup.
sSetup = ""
f = open("setup.stp", "rb")
sSetup = f.read()
f.close()
do_command_ieee_block(":SYSTEM:SETup", sSetup)
print("Setup bytes restored: %d" % len(sSetup))

# Capture an acquisition using :DIGitize.
do_command(":DIGitize CHANnel1")

# =====
# Analyze:
# =====
def analyze():

    # Make measurements.
    # -----
    do_command(":MEASure:SOURce CHANnel1")
    qresult = do_query_string(":MEASure:SOURce?")
    print("Measure source: %s" % qresult)

    do_command(":MEASure:FREQuency")
    qresult = do_query_string(":MEASure:FREQuency?")
    print("Measured frequency on channel 1: %s" % qresult)

    do_command(":MEASure:VAMPlitude")
    qresult = do_query_string(":MEASure:VAMPlitude?")
    print("Measured vertical amplitude on channel 1: %s" % qresult)

    # Download the screen image.
    # -----
    do_command(":HARDcopy:INKSaver OFF")

    sDisplay = do_query_ieee_block(":DISPlay:DATA? PNG, COLor")

    # Save display data values to file.
    f = open("screen_image.png", "wb")
    f.write(sDisplay)
    f.close()
    print("Screen image written to screen_image.png.")

    # Download waveform data.

```

```

# -----

# Set the waveform points mode.
do_command(":WAVEform:POINTs:MODE RAW")
qresult = do_query_string(":WAVEform:POINTs:MODE?")
print("Waveform points mode: %s" % qresult)

# Get the number of waveform points available.
do_command(":WAVEform:POINTs 10240")
qresult = do_query_string(":WAVEform:POINTs?")
print("Waveform points available: %s" % qresult)

# Set the waveform source.
do_command(":WAVEform:SOURce CHANnel1")
qresult = do_query_string(":WAVEform:SOURce?")
print("Waveform source: %s" % qresult)

# Choose the format of the data returned:
do_command(":WAVEform:FORMat BYTE")
print("Waveform format: %s" % do_query_string(":WAVEform:FORMat?"))

# Display the waveform settings from preamble:
wav_form_dict = {
    0 : "BYTE",
    1 : "WORD",
    4 : "AScii",
}
acq_type_dict = {
    0 : "NORMal",
    1 : "PEAK",
    2 : "AVERage",
    3 : "HRESolution",
}

preamble_string = do_query_string(":WAVEform:PREamble?")
(
    wav_form, acq_type, wfmpnts, avgcnt, x_increment, x_origin,
    x_reference, y_increment, y_origin, y_reference
) = preamble_string.split(",")

print("Waveform format: %s" % wav_form_dict[int(wav_form)])
print("Acquire type: %s" % acq_type_dict[int(acq_type)])
print("Waveform points desired: %s" % wfmpnts)
print("Waveform average count: %s" % avgcnt)
print("Waveform X increment: %s" % x_increment)
print("Waveform X origin: %s" % x_origin)
print("Waveform X reference: %s" % x_reference) # Always 0.
print("Waveform Y increment: %s" % y_increment)
print("Waveform Y origin: %s" % y_origin)
print("Waveform Y reference: %s" % y_reference)

# Get numeric values for later calculations.
x_increment = do_query_number(":WAVEform:XINCrement?")
x_origin = do_query_number(":WAVEform:XORigin?")
y_increment = do_query_number(":WAVEform:YINCrement?")
y_origin = do_query_number(":WAVEform:YORigin?")
y_reference = do_query_number(":WAVEform:YREFerence?")

```

```

# Get the waveform data.
sData = do_query_ieee_block(":WAVEform:DATA?")

# Unpack unsigned byte data.
values = struct.unpack("%dB" % len(sData), sData)
print("Number of data values: %d" % len(values))

# Save waveform data values to CSV file.
f = open("waveform_data.csv", "w")

for i in range(0, len(values) - 1):
    time_val = x_origin + (i * x_increment)
    voltage = ((values[i] - y_reference) * y_increment) + y_origin
    f.write("%E, %f\n" % (time_val, voltage))

f.close()
print("Waveform format BYTE data written to waveform_data.csv.")

# =====
# Send a command and check for errors:
# =====
def do_command(command, hide_params=False):

    if hide_params:
        (header, data) = command.split(" ", 1)
        if debug:
            print("\nCmd = '%s'" % header)
    else:
        if debug:
            print("\nCmd = '%s'" % command)

    InfiniiVision.write("%s" % command)

    if hide_params:
        check_instrument_errors(header)
    else:
        check_instrument_errors(command)

# =====
# Send a command and binary values and check for errors:
# =====
def do_command_ieee_block(command, values):
    if debug:
        print("Cmb = '%s'" % command)
    InfiniiVision.write_binary_values("%s " % command, values, datatype='B'
)
    check_instrument_errors(command)

# =====
# Send a query, check for errors, return string:
# =====
def do_query_string(query):
    if debug:

```

```

    print("Qys = '%s'" % query)
    result = InfiniiVision.query("%s" % query)
    check_instrument_errors(query)
    return result

# =====
# Send a query, check for errors, return floating-point value:
# =====
def do_query_number(query):
    if debug:
        print("Qyn = '%s'" % query)
    results = InfiniiVision.query("%s" % query)
    check_instrument_errors(query)
    return float(results)

# =====
# Send a query, check for errors, return binary values:
# =====
def do_query_ieee_block(query):
    if debug:
        print("Qys = '%s'" % query)
    result = InfiniiVision.query_binary_values("%s" % query, datatype='s')
    check_instrument_errors(query)
    return result[0]

# =====
# Check for instrument errors:
# =====
def check_instrument_errors(command):

    while True:
        error_string = InfiniiVision.query(":SYSTem:ERRor?")
        if error_string: # If there is an error string value.

            if error_string.find("+0,", 0, 3) == -1: # Not "No error".

                print("ERROR: %s, command: '%s'" % (error_string, command))
                print("Exited because of error.")
                sys.exit(1)

            else: # "No error"
                break

        else: # :SYSTem:ERRor? should always return string.
            print("ERROR: :SYSTem:ERRor? returned nothing, command: '%s'" % command)
            print("Exited because of error.")
            sys.exit(1)

# =====
# Main program:
# =====

```

```
rm = visa.ResourceManager("C:\\Windows\\System32\\agvisa32.dll")
InfiniiVision = rm.open_resource("TCPIP0::a-mx3104a-90028.cos.is.keysigh
t.com::inst0::INSTR")

InfiniiVision.timeout = 15000
InfiniiVision.clear()

# Initialize the oscilloscope, capture data, and analyze.
initialize()
capture()
analyze()

InfiniiVision.close()
print("End of program.")
sys.exit()
```

## VISA.NET Examples

These programming examples show how to use the VISA.NET drivers that come with Keysight IO Libraries Suite.

- **"VISA.NET Example in C#" on page 1262**
- **"VISA.NET Example in Visual Basic .NET" on page 1268**

### VISA.NET Example in C#

To compile and run this example in Microsoft Visual Studio 2013:

- 1 Open Visual Studio.
- 2 Choose **FILE > New > Project...**
- 3 In the New Project dialog box, select **.NET Framework 4.5.2**.
- 4 Create a new Visual C#, Console Application project.
- 5 Cut-and-paste the code that follows into the C# source file.
- 6 Edit the program to use the VISA address of your oscilloscope.
- 7 Add a reference to the VISA.NET driver:
  - a Right-click the project you wish to modify (not the solution) in the Solution Explorer window of the Microsoft Visual Studio environment.
  - b Choose **Add Reference...**
  - c In the Reference Manager dialog box, under **Assemblies**, select **Extensions**.
  - d In the "Targeting: .NET Framework 4.5.2" list, select the **Ivi.Visa Assembly** check box; then, click **OK**.
- 8 Build and run the program.

For more information, see the VISA.NET Help that comes with Keysight IO Libraries Suite.

```

/*
 * Keysight VISA.NET Example in C#
 * -----
 * This program illustrates a few commonly used programming
 * features of your Keysight InfiniiVision oscilloscope.
 * -----
 */

using System;
using System.IO;
using System.Collections.Generic;
using System.Text;

using Ivi.Visa;
using Ivi.Visa.FormattedIO;

```

```

namespace Example
{
    class Program
    {
        static void Main(string[] args)
        {
            // Change this variable to the address of your instrument
            string VISA_ADDRESS = "TCPIP0::141.121.230.6::inst0::INSTR";

            // Create a connection (session) to the instrument
            IMessageBasedSession session;
            try
            {
                session = GlobalResourceManager.Open(VISA_ADDRESS) as
                    IMessageBasedSession;
            }
            catch (NativeVisaException visaException)
            {
                Console.WriteLine("Couldn't connect.");
                Console.WriteLine("Error is:\r\n{0}\r\n", visaException);
                Console.WriteLine("Press any key to exit...");
                Console.ReadKey();
                return;
            }

            // Create a formatted I/O object which will help us format the
            // data we want to send/receive to/from the instrument
            MessageBasedFormattedIO myScope =
                new MessageBasedFormattedIO(session);

            // For Serial and TCP/IP socket connections enable the read
            // Termination Character, or read's will timeout
            if (session.ResourceName.Contains("ASRL") ||
                session.ResourceName.Contains("SOCKET"))
                session.TerminationCharacterEnabled = true;

            session.TimeoutMilliseconds = 20000;

            // Initialize - start from a known state.
            // =====
            string strResults;
            FileStream fStream;

            // Get and display the device's *IDN? string.
            myScope.WriteLine("*IDN?");
            strResults = myScope.ReadLine();
            Console.WriteLine("*IDN? result is: {0}", strResults);

            // Clear status and load the default setup.
            myScope.WriteLine("*CLS");
            myScope.WriteLine("*RST");

            // Capture data.
            // =====
            // Use auto-scale to automatically configure oscilloscope.
            myScope.WriteLine(":AUTOScale");
        }
    }
}

```

```

// Set trigger mode (EDGE, PULSe, PATTeRn, etc., and input source.
myScope.WriteLine(":TRIGger:MODE EDGE");
myScope.WriteLine(":TRIGger:MODE?");
strResults = myScope.ReadLine();
Console.WriteLine("Trigger mode: {0}", strResults);

// Set EDGE trigger parameters.
myScope.WriteLine(":TRIGger:EDGE:SOURce CHANnel1");
myScope.WriteLine(":TRIGger:EDGE:SOURce?");
strResults = myScope.ReadLine();
Console.WriteLine("Trigger edge source: {0}", strResults);

myScope.WriteLine(":TRIGger:EDGE:LEVel 1.5");
myScope.WriteLine(":TRIGger:EDGE:LEVel?");
strResults = myScope.ReadLine();
Console.WriteLine("Trigger edge level: {0}", strResults);

myScope.WriteLine(":TRIGger:EDGE:SLOPe POSitive");
myScope.WriteLine(":TRIGger:EDGE:SLOPe?");
strResults = myScope.ReadLine();
Console.WriteLine("Trigger edge slope: {0}", strResults);

// Save oscilloscope configuration.
byte[] ResultsArray; // Results array.
int nLength; // Number of bytes returned from instrument.
string strPath;

// Query and read setup string.
myScope.WriteLine(":SYSTem:SETup?");
ResultsArray = myScope.ReadLineBinaryBlockOfByte();
nLength = ResultsArray.Length;

// Write setup string to file.
strPath = "c:\\scope\\config\\setup.stp";
FileStream = File.Open(strPath, FileMode.Create);
FileStream.Write(ResultsArray, 0, nLength);
FileStream.Close();
Console.WriteLine("Setup bytes saved: {0}", nLength);

// Change settings with individual commands:

// Set vertical scale and offset.
myScope.WriteLine(":CHANnel1:SCALe 0.05");
myScope.WriteLine(":CHANnel1:SCALe?");
strResults = myScope.ReadLine();
Console.WriteLine("Channel 1 vertical scale: {0}", strResults);

myScope.WriteLine(":CHANnel1:OFFSet -1.5");
myScope.WriteLine(":CHANnel1:OFFSet?");
strResults = myScope.ReadLine();
Console.WriteLine("Channel 1 vertical offset: {0}", strResults);

// Set horizontal scale and offset.
myScope.WriteLine(":TIMebase:SCALe 0.0002");
myScope.WriteLine(":TIMebase:SCALe?");
strResults = myScope.ReadLine();

```



```

Console.WriteLine("Timebase scale: {0}", strResults);

myScope.WriteLine(":TIMEbase:POSition 0.0");
myScope.WriteLine(":TIMEbase:POSition?");
strResults = myScope.ReadLine();
Console.WriteLine("Timebase position: {0}", strResults);

// Set the acquisition type (NORMal, PEAK, AVERage, or HRESolution
).
myScope.WriteLine(":ACQuire:TYPE NORMal");
myScope.WriteLine(":ACQuire:TYPE?");
strResults = myScope.ReadLine();
Console.WriteLine("Acquire type: {0}", strResults);

// Or, configure by loading a previously saved setup.
byte[] dataArray;
int nBytesWritten;

// Read setup string from file.
strPath = "c:\\scope\\config\\setup.stp";
dataArray = File.ReadAllBytes(strPath);
nBytesWritten = dataArray.Length;

// Restore setup string.
myScope.Write(":SYSTem:SETup ");
myScope.WriteBinary(dataArray);
myScope.WriteLine("");
Console.WriteLine("Setup bytes restored: {0}", nBytesWritten);

// Capture an acquisition using :DIGitize.
myScope.WriteLine(":DIGitize CHANnel1");

// Analyze the captured waveform.
// =====

// Make a couple of measurements.
// -----
myScope.WriteLine(":MEASure:SOURce CHANnel1");
myScope.WriteLine(":MEASure:SOURce?");
strResults = myScope.ReadLine();
Console.WriteLine("Measure source: {0}", strResults);

double fResult;
myScope.WriteLine(":MEASure:FREQuency");
myScope.WriteLine(":MEASure:FREQuency?");
fResult = myScope.ReadLineDouble();
Console.WriteLine("Frequency: {0:F4} kHz", fResult / 1000);

myScope.WriteLine(":MEASure:VAMplitude");
myScope.WriteLine(":MEASure:VAMplitude?");
fResult = myScope.ReadLineDouble();
Console.WriteLine("Vertical amplitude: {0:F2} V", fResult);

// Download the screen image.
// -----
myScope.WriteLine(":HARDcopy:INKSaver OFF");

```

```

// Get the screen data.
myScope.WriteLine(":DISPlay:DATA? PNG, COlor");
ResultsArray = myScope.ReadLineBinaryBlockOfByte();
nLength = ResultsArray.Length;

// Store the screen data to a file.
strPath = "c:\\scope\\data\\screen.png";
fStream = File.Open(strPath, FileMode.Create);
fStream.Write(ResultsArray, 0, nLength);
fStream.Close();
Console.WriteLine("Screen image ({0} bytes) written to {1}",
    nLength, strPath);

// Download waveform data.
// -----

// Set the waveform points mode.
myScope.WriteLine(":WAVEform:POINts:MODE RAW");
myScope.WriteLine(":WAVEform:POINts:MODE?");
strResults = myScope.ReadLine();
Console.WriteLine("Waveform points mode: {0}", strResults);

// Get the number of waveform points available.
myScope.WriteLine(":WAVEform:POINts?");
strResults = myScope.ReadLine();
Console.WriteLine("Waveform points available: {0}", strResults);

// Set the waveform source.
myScope.WriteLine(":WAVEform:SOURce CHANnel1");
myScope.WriteLine(":WAVEform:SOURce?");
strResults = myScope.ReadLine();
Console.WriteLine("Waveform source: {0}", strResults);

// Choose the format of the data returned (WORD, BYTE, ASCII):
myScope.WriteLine(":WAVEform:FORMat BYTE");
myScope.WriteLine(":WAVEform:FORMat?");
strResults = myScope.ReadLine();
Console.WriteLine("Waveform format: {0}", strResults);

// Display the waveform settings:
double[] fResultsArray;
myScope.WriteLine(":WAVEform:PREAmble?");
fResultsArray = myScope.ReadLineListOfDouble();

double fFormat = fResultsArray[0];
if (fFormat == 0.0)
{
    Console.WriteLine("Waveform format: BYTE");
}
else if (fFormat == 1.0)
{
    Console.WriteLine("Waveform format: WORD");
}
else if (fFormat == 2.0)
{
    Console.WriteLine("Waveform format: ASCii");
}
}

```

```

double fType = fResultsArray[1];
if (fType == 0.0)
{
    Console.WriteLine("Acquire type: NORMAl");
}
else if (fType == 1.0)
{
    Console.WriteLine("Acquire type: PEAK");
}
else if (fType == 2.0)
{
    Console.WriteLine("Acquire type: AVERAge");
}
else if (fType == 3.0)
{
    Console.WriteLine("Acquire type: HRESolution");
}

double fPoints = fResultsArray[2];
Console.WriteLine("Waveform points: {0:e}", fPoints);

double fCount = fResultsArray[3];
Console.WriteLine("Waveform average count: {0:e}", fCount);

double fXincrement = fResultsArray[4];
Console.WriteLine("Waveform X increment: {0:e}", fXincrement);

double fXorigin = fResultsArray[5];
Console.WriteLine("Waveform X origin: {0:e}", fXorigin);

double fXreference = fResultsArray[6];
Console.WriteLine("Waveform X reference: {0:e}", fXreference);

double fYincrement = fResultsArray[7];
Console.WriteLine("Waveform Y increment: {0:e}", fYincrement);

double fYorigin = fResultsArray[8];
Console.WriteLine("Waveform Y origin: {0:e}", fYorigin);

double fYreference = fResultsArray[9];
Console.WriteLine("Waveform Y reference: {0:e}", fYreference);

// Read waveform data.
myScope.WriteLine(":WAVEform:DATA?");
ResultsArray = myScope.ReadLineBinaryBlockOfByte();
nLength = ResultsArray.Length;
Console.WriteLine("Number of data values: {0}", nLength);

// Set up output file:
strPath = "c:\\scope\\data\\waveform_data.csv";
if (File.Exists(strPath)) File.Delete(strPath);

// Open file for output.
StreamWriter writer = File.CreateText(strPath);

// Output waveform data in CSV format.

```

```

for (int i = 0; i < nLength - 1; i++)
    writer.WriteLine("{0:f9}, {1:f6}",
        fXorigin + ((float)i * fXincrement),
        (((float)ResultsArray[i] - fYreference)
        * fYincrement) + fYorigin);

// Close output file.
writer.Close();
Console.WriteLine("Waveform format BYTE data written to {0}",
    strPath);

// Close the connection to the instrument
// -----
session.Dispose();

Console.WriteLine("Press any key to exit...");
Console.ReadKey();

    }
}
}

```

## VISA.NET Example in Visual Basic .NET

To compile and run this example in Microsoft Visual Studio 2013:

- 1 Open Visual Studio.
- 2 Choose **FILE > New > Project...**
- 3 In the New Project dialog box, select **.NET Framework 4.5.2**.
- 4 Create a new Visual Basic, Console Application project.
- 5 Cut-and-paste the code that follows into the Visual Basic .NET source file.
- 6 Edit the program to use the VISA address of your oscilloscope.
- 7 Add a reference to the VISA.NET driver:
  - a Right-click the project you wish to modify (not the solution) in the Solution Explorer window of the Microsoft Visual Studio environment.
  - b Choose **Add Reference...**
  - c In the Reference Manager dialog box, under **Assemblies**, select **Extensions**.
  - d In the "Targeting: .NET Framework 4.5.2" list, select the **Ivi.Visa Assembly** check box; then, click **OK**.
- 8 Specify the Startup object:
  - a Right-click the project you wish to modify (not the solution) in the Solution Explorer window of the Microsoft Visual Studio environment.
  - b Choose **Properties**.
  - c In the Properties dialog box, under **Application**, select the **Startup object:** field and choose **Sub Main**.
  - d Save your change and close the Properties dialog box.

**9** Build and run the program.

For more information, see the VISA.NET driver help that comes with Keysight Command Expert.

```
'
' Keysight VISA.NET Example in VB.NET
' -----
' This program illustrates a few commonly used programming
' features of your Keysight InfiniiVision oscilloscope.
' -----

Imports System
Imports System.IO
Imports System.Collections.Generic
Imports System.Text

Imports Ivi.Visa
Imports Ivi.Visa.FormattedIO

Namespace Example
    Class Program

        Public Shared Sub Main(args As String())
            ' Change this variable to the address of your instrument
            Dim VISA_ADDRESS As String = "TCPIP0::141.121.230.6::inst0::INSTR"

            ' Create a connection (session) to the instrument
            Dim session As IMessageBasedSession
            Try
                session = TryCast(GlobalResourceManager.Open(VISA_ADDRESS), _
                    IMessageBasedSession)
            Catch visaException As NativeVisaException
                Console.WriteLine("Couldn't connect.")
                Console.WriteLine("Error is:" & vbCrLf & "{0}" _
                    & vbCrLf & vbCrLf, visaException)
                Console.WriteLine("Press any key to exit...")
                Console.ReadKey()
            Return
            End Try

            ' Create a formatted I/O object which will help us format the
            ' data we want to send/receive to/from the instrument
            Dim myScope As New MessageBasedFormattedIO(session)

            ' For Serial and TCP/IP socket connections enable the read
            ' Termination Character, or read's will timeout
            If session.ResourceName.Contains("ASRL") OrElse _
                session.ResourceName.Contains("SOCKET") Then
                session.TerminationCharacterEnabled = True
            End If

            session.TimeoutMilliseconds = 20000

            ' Initialize - start from a known state.
            ' =====
```

```

Dim strResults As String
Dim fStream As FileStream

' Get and display the device's *IDN? string.
myScope.WriteLine("*IDN?")
strResults = myScope.ReadLine()
Console.WriteLine("*IDN? result is: {0}", strResults)

' Clear status and load the default setup.
myScope.WriteLine("*CLS")
myScope.WriteLine("*RST")

' Capture data.
' =====
' Use auto-scale to automatically configure oscilloscope.
myScope.WriteLine(":AUToscale")

' Set trigger mode (EDGE, PULSe, PATtern, etc., and input source.
myScope.WriteLine(":TRIGger:MODE EDGE")
myScope.WriteLine(":TRIGger:MODE?")
strResults = myScope.ReadLine()
Console.WriteLine("Trigger mode: {0}", strResults)

' Set EDGE trigger parameters.
myScope.WriteLine(":TRIGger:EDGE:SOURce CHANnel1")
myScope.WriteLine(":TRIGger:EDGE:SOURce?")
strResults = myScope.ReadLine()
Console.WriteLine("Trigger edge source: {0}", strResults)

myScope.WriteLine(":TRIGger:EDGE:LEVel 1.5")
myScope.WriteLine(":TRIGger:EDGE:LEVel?")
strResults = myScope.ReadLine()
Console.WriteLine("Trigger edge level: {0}", strResults)

myScope.WriteLine(":TRIGger:EDGE:SLOPe POSitive")
myScope.WriteLine(":TRIGger:EDGE:SLOPe?")
strResults = myScope.ReadLine()
Console.WriteLine("Trigger edge slope: {0}", strResults)

' Save oscilloscope configuration.
Dim ResultsArray As Byte()
' Results array.
Dim nLength As Integer
' Number of bytes returned from instrument.
Dim strPath As String

' Query and read setup string.
myScope.WriteLine(":SYSTem:SETup?")
ResultsArray = myScope.ReadLineBinaryBlockOfByte()
nLength = ResultsArray.Length

' Write setup string to file.
strPath = "c:\scope\config\setup.stp"
fStream = File.Open(strPath, FileMode.Create)
fStream.Write(ResultsArray, 0, nLength)
fStream.Close()
Console.WriteLine("Setup bytes saved: {0}", nLength)

```

```

' Change settings with individual commands:

' Set vertical scale and offset.
myScope.WriteLine(":CHANnel1:SCALe 0.05")
myScope.WriteLine(":CHANnel1:SCALe?")
strResults = myScope.ReadLine()
Console.WriteLine("Channel 1 vertical scale: {0}", strResults)

myScope.WriteLine(":CHANnel1:OFFSet -1.5")
myScope.WriteLine(":CHANnel1:OFFSet?")
strResults = myScope.ReadLine()
Console.WriteLine("Channel 1 vertical offset: {0}", strResults)

' Set horizontal scale and offset.
myScope.WriteLine(":TIMebase:SCALe 0.0002")
myScope.WriteLine(":TIMebase:SCALe?")
strResults = myScope.ReadLine()
Console.WriteLine("Timebase scale: {0}", strResults)

myScope.WriteLine(":TIMebase:POSition 0.0")
myScope.WriteLine(":TIMebase:POSition?")
strResults = myScope.ReadLine()
Console.WriteLine("Timebase position: {0}", strResults)

' Set the acquisition type (NORMal, PEAK, AVERAge, or HRESolution)

myScope.WriteLine(":ACQuire:TYPE NORMal")
myScope.WriteLine(":ACQuire:TYPE?")
strResults = myScope.ReadLine()
Console.WriteLine("Acquire type: {0}", strResults)

' Or, configure by loading a previously saved setup.
Dim dataArray As Byte()
Dim nBytesWritten As Integer

' Read setup string from file.
strPath = "c:\scope\config\setup.stp"
dataArray = File.ReadAllBytes(strPath)
nBytesWritten = dataArray.Length

' Restore setup string.
myScope.Write(":SYSTem:SETup ")
myScope.WriteBinary(dataArray)
myScope.WriteLine("")
Console.WriteLine("Setup bytes restored: {0}", nBytesWritten)

' Capture an acquisition using :DIGitize.
myScope.WriteLine(":DIGitize CHANnel1")

' Analyze the captured waveform.
' =====

' Make a couple of measurements.
' -----
myScope.WriteLine(":MEASure:SOURce CHANnel1")
myScope.WriteLine(":MEASure:SOURce?")

```

```

strResults = myScope.ReadLine()
Console.WriteLine("Measure source: {0}", strResults)

Dim fResult As Double
myScope.WriteLine(":MEASure:FREQuency")
myScope.WriteLine(":MEASure:FREQuency?")
fResult = myScope.ReadLineDouble()
Console.WriteLine("Frequency: {0:F4} kHz", fResult / 1000)

myScope.WriteLine(":MEASure:VAMPlitude")
myScope.WriteLine(":MEASure:VAMPlitude?")
fResult = myScope.ReadLineDouble()
Console.WriteLine("Vertical amplitude: {0:F2} V", fResult)

' Download the screen image.
' -----
myScope.WriteLine(":HARDcopy:INKSaver OFF")

' Get the screen data.
myScope.WriteLine(":DISPlay:DATA? PNG, COLor")
ResultsArray = myScope.ReadLineBinaryBlockOfByte()
nLength = ResultsArray.Length

' Store the screen data to a file.
strPath = "c:\scope\data\screen.png"
fStream = File.Open(strPath, FileMode.Create)
fStream.Write(ResultsArray, 0, nLength)
fStream.Close()
Console.WriteLine("Screen image ({0} bytes) written to {1}", _
    nLength, strPath)

' Download waveform data.
' -----

' Set the waveform points mode.
myScope.WriteLine(":WAVEform:POINts:MODE RAW")
myScope.WriteLine(":WAVEform:POINts:MODE?")
strResults = myScope.ReadLine()
Console.WriteLine("Waveform points mode: {0}", strResults)

' Get the number of waveform points available.
myScope.WriteLine(":WAVEform:POINts?")
strResults = myScope.ReadLine()
Console.WriteLine("Waveform points available: {0}", strResults)

' Set the waveform source.
myScope.WriteLine(":WAVEform:SOURce CHANnel1")
myScope.WriteLine(":WAVEform:SOURce?")
strResults = myScope.ReadLine()
Console.WriteLine("Waveform source: {0}", strResults)

' Choose the format of the data returned (WORD, BYTE, ASCII):
myScope.WriteLine(":WAVEform:FORMat BYTE")
myScope.WriteLine(":WAVEform:FORMat?")
strResults = myScope.ReadLine()
Console.WriteLine("Waveform format: {0}", strResults)

```



```

' Display the waveform settings:
Dim fResultsArray As Double()
myScope.WriteLine(":WAVEform:PREAmble?")
fResultsArray = myScope.ReadLineListOfDouble()

Dim fFormat As Double = fResultsArray(0)
If fFormat = 0.0 Then
    Console.WriteLine("Waveform format: BYTE")
ElseIf fFormat = 1.0 Then
    Console.WriteLine("Waveform format: WORD")
ElseIf fFormat = 2.0 Then
    Console.WriteLine("Waveform format: ASCii")
End If

Dim fType As Double = fResultsArray(1)
If fType = 0.0 Then
    Console.WriteLine("Acquire type: NORMAl")
ElseIf fType = 1.0 Then
    Console.WriteLine("Acquire type: PEAK")
ElseIf fType = 2.0 Then
    Console.WriteLine("Acquire type: AVERAge")
ElseIf fType = 3.0 Then
    Console.WriteLine("Acquire type: HRESolution")
End If

Dim fPoints As Double = fResultsArray(2)
Console.WriteLine("Waveform points: {0:e}", fPoints)

Dim fCount As Double = fResultsArray(3)
Console.WriteLine("Waveform average count: {0:e}", fCount)

Dim fXincrement As Double = fResultsArray(4)
Console.WriteLine("Waveform X increment: {0:e}", fXincrement)

Dim fXorigin As Double = fResultsArray(5)
Console.WriteLine("Waveform X origin: {0:e}", fXorigin)

Dim fXreference As Double = fResultsArray(6)
Console.WriteLine("Waveform X reference: {0:e}", fXreference)

Dim fYincrement As Double = fResultsArray(7)
Console.WriteLine("Waveform Y increment: {0:e}", fYincrement)

Dim fYorigin As Double = fResultsArray(8)
Console.WriteLine("Waveform Y origin: {0:e}", fYorigin)

Dim fYreference As Double = fResultsArray(9)
Console.WriteLine("Waveform Y reference: {0:e}", fYreference)

' Read waveform data.
myScope.WriteLine(":WAVEform:DATA?")
ResultsArray = myScope.ReadLineBinaryBlockOfByte()
nLength = ResultsArray.Length
Console.WriteLine("Number of data values: {0}", nLength)

' Set up output file:
strPath = "c:\scope\data\waveform_data.csv"

```

```

If File.Exists(strPath) Then
    File.Delete(strPath)
End If

' Open file for output.
Dim writer As StreamWriter = File.CreateText(strPath)

' Output waveform data in CSV format.
For i As Integer = 0 To nLength - 2
    writer.WriteLine("{0:f9}, {1:f6}", _
        fXorigin + (CSng(i) * fXincrement), _
        ((CSng(ResultsArray(i)) - fYreference) _
        * fYincrement) + fYorigin)
Next

' Close output file.
writer.Close()
Console.WriteLine("Waveform format BYTE data written to {0}", _
    strPath)

' Close the connection to the instrument
' -----
session.Dispose()

Console.WriteLine("Press any key to exit...")
Console.ReadKey()

End Sub
End Class
End Namespace

```

## SICL Examples

- "SICL Example in C" on page 1275
- "SICL Example in Visual Basic" on page 1284

### SICL Example in C

To compile and run this example in Microsoft Visual Studio 2008:

- 1 Open Visual Studio.
- 2 Create a new Visual C++, Win32, Win32 Console Application project.
- 3 In the Win32 Application Wizard, click **Next >**. Then, check **Empty project**, and click **Finish**.
- 4 Cut-and-paste the code that follows into a file named "example.c" in the project directory.
- 5 In Visual Studio 2008, right-click the Source Files folder, choose **Add > Add Existing Item...**, select the example.c file, and click **Add**.
- 6 Edit the program to use the SICL address of your oscilloscope.
- 7 Choose **Project > Properties....** In the Property Pages dialog, update these project settings:
  - a Under Configuration Properties, Linker, Input, add "sicl32.lib" to the Additional Dependencies field.
  - b Under Configuration Properties, C/C++, Code Generation, select Multi-threaded DLL for the Runtime Library field.
  - c Click **OK** to close the Property Pages dialog.
- 8 Add the include files and library files search paths:
  - a Choose **Tools > Options....**
  - b In the Options dialog, select **VC++ Directories** under Projects and Solutions.
  - c Show directories for **Include files**, and add the include directory (for example, Program Files\Agilent\IO Libraries Suite\include).
  - d Show directories for **Library files**, and add the library files directory (for example, Program Files\Agilent\IO Libraries Suite\lib).
  - e Click **OK** to close the Options dialog.
- 9 Build and run the program.

```

/*
 * Keysight SICL Example in C
 * -----
 * This program illustrates a few commonly-used programming
 * features of your Keysight oscilloscope.
 */

#include <stdio.h>                                /* For printf(). */

```

```

#include <string.h>          /* For strcpy(), strcat(). */
#include <time.h>           /* For clock(). */
#include <sicl.h>           /* Keysight SICL routines. */

#define SICL_ADDRESS       "usb0[2391::6054::US50210029::0]"
#define TIMEOUT           5000
#define IEEEBLOCK_SPACE   100000

/* Function prototypes */
void initialize(void);      /* Initialize to known state. */
void capture(void);        /* Capture the waveform. */
void analyze(void);        /* Analyze the captured waveform. */

void do_command(char *command); /* Send command. */
int do_command_ieeeblock(char *command); /* Command w/IEEE block. */
void do_query_string(char *query); /* Query for string. */
void do_query_number(char *query); /* Query for number. */
void do_query_numbers(char *query); /* Query for numbers. */
int do_query_ieeeblock(char *query); /* Query for IEEE block. */
void check_instrument_errors(); /* Check for inst errors. */

/* Global variables */
INST id; /* Device session ID. */
char str_result[256] = {0}; /* Result from do_query_string(). */
double num_result; /* Result from do_query_number(). */
unsigned char ieeeblock_data[IEEEBLOCK_SPACE]; /* Result from
do_query_ieeeblock(). */
double dbl_results[10]; /* Result from do_query_numbers(). */

/* Main Program
* ----- */
void main(void)
{
    /* Install a default SICL error handler that logs an error message
    * and exits. On Windows 98SE or Windows Me, view messages with
    * the SICL Message Viewer. For Windows 2000 or XP, use the Event
    * Viewer.
    */
    ionerror(I_ERROR_EXIT);

    /* Open a device session using the SICL_ADDRESS */
    id = iopen(SICL_ADDRESS);

    if (id == 0)
    {
        printf ("Oscilloscope iopen failed!\n");
    }
    else
    {
        printf ("Oscilloscope session opened!\n");
    }

    /* Initialize - start from a known state. */
    initialize();

    /* Capture data. */
    capture();

```

```

/* Analyze the captured waveform. */
analyze();

/* Close the device session to the instrument. */
fclose(id);
printf ("Program execution is complete...\n");

/* For WIN16 programs, call _siclcleanup before exiting to release
 * resources allocated by SICL for this application. This call is
 * a no-op for WIN32 programs.
 */
_siclcleanup();
}

/* Initialize the oscilloscope to a known state.
 * ----- */
void initialize (void)
{
    /* Set the I/O timeout value for this session to 5 seconds. */
    itimeout(id, TIMEOUT);

    /* Clear the interface. */
    iclear(id);

    /* Get and display the device's *IDN? string. */
    do_query_string("*IDN?");
    printf("Oscilloscope *IDN? string: %s\n", str_result);

    /* Clear status and load the default setup. */
    do_command("*CLS");
    do_command("*RST");
}

/* Capture the waveform.
 * ----- */
void capture (void)
{
    int num_bytes;
    FILE *fp;

    /* Use auto-scale to automatically configure oscilloscope.
     * ----- */
    do_command(":AUToscale");

    /* Set trigger mode (EDGE, PULSe, PATtern, etc., and input source. */
    do_command(":TRIGger:MODE EDGE");
    do_query_string(":TRIGger:MODE?");
    printf("Trigger mode: %s\n", str_result);

    /* Set EDGE trigger parameters. */
    do_command(":TRIGger:EDGE:SOURce CHANnel1");
    do_query_string(":TRIGger:EDGE:SOURce?");
    printf("Trigger edge source: %s\n", str_result);

    do_command(":TRIGger:EDGE:LEVel 1.5");
    do_query_string(":TRIGger:EDGE:LEVel?");
}

```

```

printf("Trigger edge level: %s\n", str_result);

do_command(":TRIGger:EDGE:SLOPe POSitive");
do_query_string(":TRIGger:EDGE:SLOPe?");
printf("Trigger edge slope: %s\n", str_result);

/* Save oscilloscope configuration.
 * ----- */

/* Read system setup. */
num_bytes = do_query_ieeeblock(":SYSTem:SETup?");
printf("Read setup string query (%d bytes).\n", num_bytes);

/* Write setup string to file. */
fp = fopen ("c:\\scope\\config\\setup.stp", "wb");
num_bytes = fwrite(ieeeblock_data, sizeof(unsigned char), num_bytes,
    fp);
fclose (fp);
printf("Wrote setup string (%d bytes) to ", num_bytes);
printf("c:\\scope\\config\\setup.stp.\n");

/* Change settings with individual commands:
 * ----- */

/* Set vertical scale and offset. */
do_command(":CHANnel1:SCALe 0.05");
do_query_string(":CHANnel1:SCALe?");
printf("Channel 1 vertical scale: %s\n", str_result);

do_command(":CHANnel1:OFFSet -1.5");
do_query_string(":CHANnel1:OFFSet?");
printf("Channel 1 offset: %s\n", str_result);

/* Set horizontal scale and position. */
do_command(":TIMEbase:SCALe 0.0002");
do_query_string(":TIMEbase:SCALe?");
printf("Timebase scale: %s\n", str_result);

do_command(":TIMEbase:POSition 0.0");
do_query_string(":TIMEbase:POSition?");
printf("Timebase position: %s\n", str_result);

/* Set the acquisition type (NORMAL, PEAK, AVERage, or HRESolution). *
/
do_command(":ACQuire:TYPE NORMAl");
do_query_string(":ACQuire:TYPE?");
printf("Acquire type: %s\n", str_result);

/* Or, configure by loading a previously saved setup.
 * ----- */

/* Read setup string from file. */
fp = fopen ("c:\\scope\\config\\setup.stp", "rb");
num_bytes = fread (ieeeblock_data, sizeof(unsigned char),
    IEEEBLOCK_SPACE, fp);
fclose (fp);
printf("Read setup string (%d bytes) from file ", num_bytes);

```

```

printf("c:\\scope\\config\\setup.stp.\n");

/* Restore setup string. */
num_bytes = do_command_ieeeblock(":SYSTEM:SETup", num_bytes);
printf("Restored setup string (%d bytes).\n", num_bytes);

/* Capture an acquisition using :DIGitize.
 * ----- */
do_command(":DIGitize CHANnel1");
}

/* Analyze the captured waveform.
 * ----- */
void analyze (void)
{
    double wav_format;
    double acq_type;
    double wav_points;
    double avg_count;
    double x_increment;
    double x_origin;
    double x_reference;
    double y_increment;
    double y_origin;
    double y_reference;

    FILE *fp;
    int num_bytes; /* Number of bytes returned from instrument. */
    int i;

    /* Make a couple of measurements.
     * ----- */
    do_command(":MEASure:SOURce CHANnel1");
    do_query_string(":MEASure:SOURce?");
    printf("Measure source: %s\n", str_result);

    do_command(":MEASure:FREQuency");
    do_query_number(":MEASure:FREQuency?");
    printf("Frequency: %.4f kHz\n", num_result / 1000);

    do_command(":MEASure:VAMPlitude");
    do_query_number(":MEASure:VAMPlitude?");
    printf("Vertical amplitude: %.2f V\n", num_result);

    /* Download the screen image.
     * ----- */
    do_command(":HARDcopy:INKSaver OFF");

    /* Read screen image. */
    num_bytes = do_query_ieeeblock(":DISPlay:DATA? PNG, COLor");
    printf("Screen image bytes: %d\n", num_bytes);

    /* Write screen image bytes to file. */
    fp = fopen ("c:\\scope\\data\\screen.png", "wb");
    num_bytes = fwrite(ieeeblock_data, sizeof(unsigned char), num_bytes,
        fp);
    fclose (fp);

```

```

printf("Wrote screen image (%d bytes) to ", num_bytes);
printf("c:\\scope\\data\\screen.png.\n");

/* Download waveform data.
 * ----- */

/* Set the waveform points mode. */
do_command(":WAVEform:POINTs:MODE RAW");
do_query_string(":WAVEform:POINTs:MODE?");
printf("Waveform points mode: %s\n", str_result);

/* Get the number of waveform points available. */
do_command(":WAVEform:POINTs 10240");
do_query_string(":WAVEform:POINTs?");
printf("Waveform points available: %s\n", str_result);

/* Set the waveform source. */
do_command(":WAVEform:SOURce CHANnel1");
do_query_string(":WAVEform:SOURce?");
printf("Waveform source: %s\n", str_result);

/* Choose the format of the data returned (WORD, BYTE, ASCII): */
do_command(":WAVEform:FORMat BYTE");
do_query_string(":WAVEform:FORMat?");
printf("Waveform format: %s\n", str_result);

/* Display the waveform settings: */
do_query_numbers(":WAVEform:PREAmble?");

wav_format = dbl_results[0];
if (wav_format == 0.0)
{
    printf("Waveform format: BYTE\n");
}
else if (wav_format == 1.0)
{
    printf("Waveform format: WORD\n");
}
else if (wav_format == 2.0)
{
    printf("Waveform format: ASCii\n");
}

acq_type = dbl_results[1];
if (acq_type == 0.0)
{
    printf("Acquire type: NORMal\n");
}
else if (acq_type == 1.0)
{
    printf("Acquire type: PEAK\n");
}
else if (acq_type == 2.0)
{
    printf("Acquire type: AVERage\n");
}
else if (acq_type == 3.0)

```



```

    {
        printf("Acquire type: HRESolution\n");
    }

    wav_points = dbl_results[2];
    printf("Waveform points: %e\n", wav_points);

    avg_count = dbl_results[3];
    printf("Waveform average count: %e\n", avg_count);

    x_increment = dbl_results[4];
    printf("Waveform X increment: %e\n", x_increment);

    x_origin = dbl_results[5];
    printf("Waveform X origin: %e\n", x_origin);

    x_reference = dbl_results[6];
    printf("Waveform X reference: %e\n", x_reference);

    y_increment = dbl_results[7];
    printf("Waveform Y increment: %e\n", y_increment);

    y_origin = dbl_results[8];
    printf("Waveform Y origin: %e\n", y_origin);

    y_reference = dbl_results[9];
    printf("Waveform Y reference: %e\n", y_reference);

    /* Read waveform data. */
    num_bytes = do_query_ieeeblock(":WAVEform:DATA?");
    printf("Number of data values: %d\n", num_bytes);

    /* Open file for output. */
    fp = fopen("c:\\scope\\data\\waveform_data.csv", "wb");

    /* Output waveform data in CSV format. */
    for (i = 0; i < num_bytes - 1; i++)
    {
        /* Write time value, voltage value. */
        fprintf(fp, "%9f, %6f\n",
            x_origin + ((float)i * x_increment),
            ((float)ieeeblock_data[i] - y_reference) * y_increment
            + y_origin);
    }

    /* Close output file. */
    fclose(fp);
    printf("Waveform format BYTE data written to ");
    printf("c:\\scope\\data\\waveform_data.csv.\n");
}

/* Send a command to the instrument.
 * ----- */
void do_command(command)
char *command;
{
    char message[80];

```

```

        strcpy(message, command);
        strcat(message, "\n");
        iprintf(id, message);

        check_instrument_errors();
    }

/* Command with IEEE definite-length block.
 * ----- */
int do_command_ieeeblock(command, num_bytes)
char *command;
int num_bytes;
{
    char message[80];
    int data_length;

    strcpy(message, command);
    strcat(message, " #8%08d");
    iprintf(id, message, num_bytes);
    ifwrite(id, ieeeblock_data, num_bytes, 1, &data_length);

    check_instrument_errors();

    return(data_length);
}

/* Query for a string result.
 * ----- */
void do_query_string(query)
char *query;
{
    char message[80];

    strcpy(message, query);
    strcat(message, "\n");
    iprintf(id, message);

    iscanf(id, "%t\n", str_result);

    check_instrument_errors();
}

/* Query for a number result.
 * ----- */
void do_query_number(query)
char *query;
{
    char message[80];

    strcpy(message, query);
    strcat(message, "\n");
    iprintf(id, message);

    iscanf(id, "%lf", &num_result);

    check_instrument_errors();
}

```

```

}

/* Query for numbers result.
 * ----- */
void do_query_numbers(query)
char *query;
{
    char message[80];

    strcpy(message, query);
    strcat(message, "\n");
    iprintf(id, message);

    iscanf(id, "%,10lf\n", dbl_results);

    check_instrument_errors();
}

/* Query for an IEEE definite-length block result.
 * ----- */
int do_query_ieeeblock(query)
char *query;
{
    char message[80];
    int data_length;

    strcpy(message, query);
    strcat(message, "\n");
    iprintf(id, message);

    data_length = IEEEBLOCK_SPACE;
    iscanf(id, "%#b", &data_length, ieeeblock_data);

    if (data_length == IEEEBLOCK_SPACE )
    {
        printf("IEEE block buffer full: ");
        printf("May not have received all data.\n");
    }

    check_instrument_errors();

    return(data_length);
}

/* Check for instrument errors.
 * ----- */
void check_instrument_errors()
{
    char str_err_val[256] = {0};
    char str_out[800] = "";

    ipromptf(id, ":SYSTem:ERRor?\n", "%t", str_err_val);
    while(strncmp(str_err_val, "+0,No error", 3) != 0 )
    {
        strcat(str_out, ", ");
        strcat(str_out, str_err_val);
        ipromptf(id, ":SYSTem:ERRor?\n", "%t", str_err_val);
    }
}

```

```

    }

    if (strcmp(str_out, "") != 0)
    {
        printf("INST Error%s\n", str_out);
        iflush(id, I_BUF_READ | I_BUF_WRITE);
    }
}

```

## SICL Example in Visual Basic

To run this example in Visual Basic for Applications:

- 1 Start the application that provides Visual Basic for Applications (for example, Microsoft Excel).
- 2 Press ALT+F11 to launch the Visual Basic editor.
- 3 Add the sicl32.bas file to your project:
  - a Choose **File > Import File...**
  - b Navigate to the header file, sicl32.bas (installed with Keysight IO Libraries Suite and found in the Program Files\Agilent\IO Libraries Suite\include directory), select it, and click **Open**.
- 4 Choose **Insert > Module**.
- 5 Cut-and-paste the code that follows into the editor.
- 6 Edit the program to use the SICL address of your oscilloscope, and save the changes.
- 7 Run the program.

```

'
' Keysight SICL Example in Visual Basic
' -----
' This program illustrates a few commonly-used programming
' features of your Keysight oscilloscope.
' -----

Option Explicit

Public id As Integer ' Session to instrument.

' Declare variables to hold numeric values returned by
' ivscanf/ifread.
Public dblQueryResult As Double
Public Const ByteArraySize = 5000000
Public retCount As Long
Public byteArray(ByteArraySize) As Byte

' Declare fixed length string variable to hold string value returned
' by ivscanf.
Public strQueryResult As String * 200

' For Sleep subroutine.

```

```

Private Declare Sub Sleep Lib "kernel32" (ByVal dwMilliseconds As Long)
'
' Main Program
' -----

Sub Main()

    On Error GoTo ErrorHandler

    ' Open a device session using the SICL_ADDRESS.
    id = iopen("usb0[2391::6054::US50210029::0]")
    Call itimeout(id, 5000)

    ' Initialize - start from a known state.
    Initialize

    ' Capture data.
    Capture

    ' Analyze the captured waveform.
    Analyze

    ' Close the vi session and the resource manager session.
    Call iclose(id)

    Exit Sub

ErrorHandler:

    MsgBox "*** Error : " + Error, vbExclamation
    End

End Sub

'
' Initialize the oscilloscope to a known state.
' -----

Private Sub Initialize()

    On Error GoTo ErrorHandler

    ' Clear the interface.
    Call iclear(id)

    ' Get and display the device's *IDN? string.
    strQueryResult = DoQueryString("*IDN?")
    MsgBox "Result is: " + RTrim(strQueryResult), vbOKOnly, "*IDN? Result"

    ' Clear status and load the default setup.
    DoCommand "*CLS"
    DoCommand "*RST"

    Exit Sub

ErrorHandler:

```

```

    MsgBox "*** Error : " + Error, vbExclamation
End

End Sub

'
' Capture the waveform.
' -----

Private Sub Capture()

    On Error GoTo ErrorHandler

    ' Use auto-scale to automatically configure oscilloscope.
    ' -----
    DoCommand ":AUToscale"

    ' Set trigger mode (EDGE, PULSe, PATtern, etc., and input source.
    DoCommand ":TRIGger:MODE EDGE"
    Debug.Print "Trigger mode: " + _
        DoQueryString(":TRIGger:MODE?")

    ' Set EDGE trigger parameters.
    DoCommand ":TRIGger:EDGE:SOURce CHANnel1"
    Debug.Print "Trigger edge source: " + _
        DoQueryString(":TRIGger:EDGE:SOURce?")

    DoCommand ":TRIGger:EDGE:LEVel 1.5"
    Debug.Print "Trigger edge level: " + _
        DoQueryString(":TRIGger:EDGE:LEVel?")

    DoCommand ":TRIGger:EDGE:SLOPe POSitive"
    Debug.Print "Trigger edge slope: " + _
        DoQueryString(":TRIGger:EDGE:SLOPe?")

    ' Save oscilloscope configuration.
    ' -----

    Dim lngSetupStringSize As Long
    lngSetupStringSize = DoQueryIEEEBlock_Bytes(":SYSTem:SETup?")
    Debug.Print "Setup bytes saved: " + CStr(lngSetupStringSize)

    ' Output setup string to a file:
    Dim strPath As String
    strPath = "c:\scope\config\setup.dat"
    If Len(Dir(strPath)) Then
        Kill strPath ' Remove file if it exists.
    End If

    ' Open file for output.
    Dim hFile As Long
    hFile = FreeFile
    Open strPath For Binary Access Write Lock Write As hFile
    Dim lngI As Long
    For lngI = 0 To lngSetupStringSize - 1
        Put hFile, , byteArray(lngI) ' Write data.
    Next lngI

```

```

Close hFile    ' Close file.

' Change settings with individual commands:
' -----

' Set vertical scale and offset.
DoCommand ":CHANnel1:SCALE 0.05"
Debug.Print "Channel 1 vertical scale: " + _
    DoQueryString(":CHANnel1:SCALE?")

DoCommand ":CHANnel1:OFFSet -1.5"
Debug.Print "Channel 1 vertical offset: " + _
    DoQueryString(":CHANnel1:OFFSet?")

' Set horizontal scale and position.
DoCommand ":TIMEbase:SCALE 0.0002"
Debug.Print "Timebase scale: " + _
    DoQueryString(":TIMEbase:SCALE?")

DoCommand ":TIMEbase:POSition 0.0"
Debug.Print "Timebase position: " + _
    DoQueryString(":TIMEbase:POSition?")

' Set the acquisition type (NORMAL, PEAK, AVERAGE, or HRESOLUTION).
DoCommand ":ACquire:TYPE NORMAL"
Debug.Print "Acquire type: " + _
    DoQueryString(":ACquire:TYPE?")

' Or, configure by loading a previously saved setup.
' -----
strPath = "c:\scope\config\setup.dat"
Open strPath For Binary Access Read As hFile    ' Open file for input.
Dim lngSetupFileSize As Long
lngSetupFileSize = LOF(hFile)    ' Length of file.
Get hFile, , byteArray    ' Read data.
Close hFile    ' Close file.
' Write setup string back to oscilloscope using ":SYSTEM:SETup"
' command:
Dim lngRestored As Long
lngRestored = DoCommandIEEEBlock(":SYSTEM:SETup", lngSetupFileSize)
Debug.Print "Setup bytes restored: " + CStr(lngRestored)

' Capture an acquisition using :DIGitize.
' -----
DoCommand ":DIGitize CHANnel1"

Exit Sub

ErrorHandler:

MsgBox "*** Error : " + Error, vbExclamation
End

End Sub

'
' Analyze the captured waveform.

```

```

' -----
Private Sub Analyze()

    On Error GoTo ErrorHandler

    ' Make a couple of measurements.
    ' -----
    DoCommand ":MEASure:SOURce CHANnel1"
    Debug.Print "Measure source: " + _
        DoQueryString(":MEASure:SOURce?")

    DoCommand ":MEASure:FREQuency"
    dblQueryResult = DoQueryNumber(":MEASure:FREQuency?")
    MsgBox "Frequency:" + vbCrLf + _
        FormatNumber(dblQueryResult / 1000, 4) + " kHz"

    DoCommand ":MEASure:VAMPlitude"
    dblQueryResult = DoQueryNumber(":MEASure:VAMPlitude?")
    MsgBox "Vertical amplitude:" + vbCrLf + _
        FormatNumber(dblQueryResult, 4) + " V"

    ' Download the screen image.
    ' -----
    DoCommand ":HARDcopy:INKSaver OFF"

    ' Get screen image.
    Dim lngBlockSize As Long
    lngBlockSize = DoQueryIEEEBlock_Bytes(":DISPlay:DATA? PNG, COlor")
    Debug.Print "Screen image bytes: " + CStr(lngBlockSize)

    ' Save screen image to a file:
    Dim strPath As String
    strPath = "c:\scope\data\screen.png"
    If Len(Dir(strPath)) Then
        Kill strPath ' Remove file if it exists.
    End If
    Dim hFile As Long
    hFile = FreeFile
    Open strPath For Binary Access Write Lock Write As hFile
    Dim lngI As Long
    ' Skip past header.
    For lngI = CInt(Chr(byteArray(1))) + 2 To lngBlockSize - 1
        Put hFile, , byteArray(lngI) ' Write data.
    Next lngI
    Close hFile ' Close file.
    MsgBox "Screen image written to " + strPath

    ' Download waveform data.
    ' -----

    ' Set the waveform points mode.
    DoCommand ":WAVEform:POINts:MODE RAW"
    Debug.Print "Waveform points mode: " + _
        DoQueryString(":WAVEform:POINts:MODE?")

    ' Get the number of waveform points available.

```



```

DoCommand ":WAVeform:POINts 10240"
Debug.Print "Waveform points available: " + _
    DoQueryString(":WAVeform:POINts?")

' Set the waveform source.
DoCommand ":WAVeform:SOURce CHANnel1"
Debug.Print "Waveform source: " + _
    DoQueryString(":WAVeform:SOURce?")

' Choose the format of the data returned (WORD, BYTE, ASCII):
DoCommand ":WAVeform:FORMat BYTE"
Debug.Print "Waveform format: " + _
    DoQueryString(":WAVeform:FORMat?")

' Display the waveform settings:
Dim Preamble() As Double
Dim intFormat As Integer
Dim intType As Integer
Dim lngPoints As Long
Dim lngCount As Long
Dim dblXIncrement As Double
Dim dblXOrigin As Double
Dim lngXReference As Long
Dim sngYIncrement As Single
Dim sngYOrigin As Single
Dim lngYReference As Long

Preamble() = DoQueryNumbers(":WAVeform:PREAmble?")

intFormat = Preamble(0)
intType = Preamble(1)
lngPoints = Preamble(2)
lngCount = Preamble(3)
dblXIncrement = Preamble(4)
dblXOrigin = Preamble(5)
lngXReference = Preamble(6)
sngYIncrement = Preamble(7)
sngYOrigin = Preamble(8)
lngYReference = Preamble(9)

If intFormat = 0 Then
    Debug.Print "Waveform format: BYTE"
ElseIf intFormat = 1 Then
    Debug.Print "Waveform format: WORD"
ElseIf intFormat = 2 Then
    Debug.Print "Waveform format: ASCii"
End If

If intType = 0 Then
    Debug.Print "Acquisition type: NORMal"
ElseIf intType = 1 Then
    Debug.Print "Acquisition type: PEAK"
ElseIf intType = 2 Then
    Debug.Print "Acquisition type: AVERage"
ElseIf intType = 3 Then
    Debug.Print "Acquisition type: HRESolution"
End If

```

```

Debug.Print "Waveform points: " + _
    FormatNumber(lngPoints, 0)

Debug.Print "Waveform average count: " + _
    FormatNumber(lngCount, 0)

Debug.Print "Waveform X increment: " + _
    Format(dblXIncrement, "Scientific")

Debug.Print "Waveform X origin: " + _
    Format(dblXOrigin, "Scientific")

Debug.Print "Waveform X reference: " + _
    FormatNumber(lngXReference, 0)

Debug.Print "Waveform Y increment: " + _
    Format(sngYIncrement, "Scientific")

Debug.Print "Waveform Y origin: " + _
    FormatNumber(sngYOrigin, 0)

Debug.Print "Waveform Y reference: " + _
    FormatNumber(lngYReference, 0)

' Get the waveform data
Dim lngNumBytes As Long
lngNumBytes = DoQueryIEEEBlock_Bytes(":WAVEform:DATA?")
Debug.Print "Number of data values: " + _
    CStr(lngNumBytes - CInt(Chr(byteArray(1))) - 2)

' Set up output file:
strPath = "c:\scope\data\waveform_data.csv"

' Open file for output.
Open strPath For Output Access Write Lock Write As hFile

' Output waveform data in CSV format.
Dim lngDataValue As Long

' Skip past header.
For lngI = CInt(Chr(byteArray(1))) + 2 To lngNumBytes - 2
    lngDataValue = CLng(byteArray(lngI))

    ' Write time value, voltage value.
    Print #hFile, _
        FormatNumber(dblXOrigin + (lngI * dblXIncrement), 9) + _
        ", " + _
        FormatNumber(((lngDataValue - lngYReference) * _
            sngYIncrement) + sngYOrigin)

Next lngI

' Close output file.
Close hFile ' Close file.
MsgBox "Waveform format BYTE data written to " + _
    "c:\scope\data\waveform_data.csv."

```

```

Exit Sub

ErrorHandler:

    MsgBox "*** Error : " + Error, vbExclamation
End

End Sub

Private Sub DoCommand(command As String)

    On Error GoTo ErrorHandler

    Call ivprintf(id, command + vbLf)

    CheckInstrumentErrors

Exit Sub

ErrorHandler:

    MsgBox "*** Error : " + Error, vbExclamation
End

End Sub

Private Function DoCommandIEEEBlock(command As String, _
    lngBlockSize As Long)

    On Error GoTo ErrorHandler

    ' Send command part.
    Call ivprintf(id, command + " ")

    ' Write definite-length block bytes.
    Call ifwrite(id, byteArray(), lngBlockSize, vbNull, retCount)

    ' retCount is now actual number of bytes written.
    DoCommandIEEEBlock = retCount

    CheckInstrumentErrors

Exit Function

ErrorHandler:

    MsgBox "*** Error : " + Error, vbExclamation
End

End Function

Private Function DoQueryString(query As String) As String

    Dim actual As Long

    On Error GoTo ErrorHandler

```

```

Dim strResult As String * 200

Call ivprintf(id, query + vbLf)
Call ivscanf(id, "%200t", strResult)
DoQueryString = strResult

CheckInstrumentErrors

Exit Function

ErrorHandler:

MsgBox "*** Error : " + Error, vbExclamation
End

End Function

Private Function DoQueryNumber(query As String) As Double

On Error GoTo ErrorHandler

Dim dblResult As Double

Call ivprintf(id, query + vbLf)
Call ivscanf(id, "%lf" + vbLf, dblResult)
DoQueryNumber = dblResult

CheckInstrumentErrors

Exit Function

ErrorHandler:

MsgBox "*** Error : " + Error, vbExclamation
End

End Function

Private Function DoQueryNumbers(query As String) As Double()

On Error GoTo ErrorHandler

Dim dblResults(10) As Double

Call ivprintf(id, query + vbLf)
Call ivscanf(id, "%,10lf" + vbLf, dblResults)
DoQueryNumbers = dblResults

CheckInstrumentErrors

Exit Function

ErrorHandler:

MsgBox "*** Error : " + Error, vbExclamation
End

```

End Function

```
Private Function DoQueryIEEEBlock_Bytes(query As String) As Long
```

```
    On Error GoTo ErrorHandler
```

```
    ' Send query.
```

```
    Call ivprintf(id, query + vbCrLf)
```

```
    ' Read definite-length block bytes.
```

```
    Sleep 2000 ' Delay before reading data.
```

```
    Call ifread(id, byteArray(), ByteArraySize, vbNull, retCount)
```

```
    ' Get number of block length digits.
```

```
    Dim intLengthDigits As Integer
```

```
    intLengthDigits = CInt(Chr(byteArray(1)))
```

```
    ' Get block length from those digits.
```

```
    Dim strBlockLength As String
```

```
    strBlockLength = ""
```

```
    Dim i As Integer
```

```
    For i = 2 To intLengthDigits + 1
```

```
        strBlockLength = strBlockLength + Chr(byteArray(i))
```

```
    Next
```

```
    ' Return number of bytes in block plus header.
```

```
    DoQueryIEEEBlock_Bytes = CLng(strBlockLength) + intLengthDigits + 2
```

```
    CheckInstrumentErrors
```

```
    Exit Function
```

```
ErrorHandler:
```

```
    MsgBox "*** Error : " + Error, vbExclamation
```

```
    End
```

End Function

```
Private Sub CheckInstrumentErrors()
```

```
    On Error GoTo ErrorHandler
```

```
    Dim strErrVal As String * 200
```

```
    Dim strOut As String
```

```
    Call ivprintf(id, ":SYSTEM:ERROR?" + vbCrLf) ' Query any errors data.
```

```
    Call ivscanf(id, "%200t", strErrVal) ' Read: Errnum,"Error String".
```

```
    While Val(strErrVal) <> 0 ' End if find: +0,"No Error".
```

```
        strOut = strOut + "INST Error: " + strErrVal
```

```
        Call ivprintf(id, ":SYSTEM:ERROR?" + vbCrLf) ' Request error message
```

```
    Call ivscanf(id, "%200t", strErrVal) ' Read error message.
```

```
    Wend
```

```
    If Not strOut = "" Then
```

```
        MsgBox strOut, vbExclamation, "INST Error Messages"  
        Call iflush(id, I_BUF_READ Or I_BUF_WRITE)  
  
    End If  
  
    Exit Sub  
  
ErrorHandler:  
  
    MsgBox "*** Error : " + Error, vbExclamation  
    End  
  
End Sub
```

## SCPI.NET Examples

You can also program the oscilloscope using the SCPI.NET drivers that come with Keysight's free Command Expert software.

While you can write code manually using the SCPI.NET drivers, you can also use the Command Expert software to:

- Connect to instruments and control them interactively using SCPI command sets.
- Quickly prototype and test command sequences.
- Generate C#, VB.NET, or C/C++ code for command sequences.
- Find, download, and install SCPI command sets.
- Browse command trees, search for commands, and view command descriptions.

The Command Expert suite also comes with Add-ons for easy instrument control and measurement data retrieval in NI LabVIEW, Microsoft Excel, Keysight VEE, and Keysight SystemVue.

To download the Keysight Command Expert software, see:

<http://www.keysight.com/find/commandexpert>

For more on programming with the SCPI.NET drivers, see "Using SCPI.NET Drivers" in the help that comes with Keysight Command Expert.





# Index

## Symbols

+9.9E+37, infinity representation, 1179  
+9.9E+37, measurement error, 429

## Numerics

0 (zero) values in waveform data, 1001  
1 (one) values in waveform data, 1001  
7000B Series oscilloscopes, command differences from, 50  
82350B GPIB interface, 6

## A

A429 SEARCh commands, 828  
A429 serial bus commands, 658  
absolute math function, 365  
absolute value math function, 344  
AC coupling, trigger edge, 936  
AC input coupling for specified channel, 278  
AC RMS measured on waveform, 446, 487  
accumulate activity, 203  
ACQUIRE commands, 239  
acquire data, 211, 251  
acquire mode on autoscale, 207  
acquire reset conditions, 187, 885  
acquire sample rate, 250  
ACQUIRE subsystem, 69  
acquired data points, 244  
acquisition count, 242  
acquisition mode, 239, 243, 1018  
acquisition type, 239, 251  
acquisition types, 994  
active edges, 203  
active printer, 378  
activity logic levels, 203  
activity on digital channels, 203  
add function, 1013  
add math function, 344, 365  
add math function as g(t) source, 358  
address field size, IIC serial decode, 734  
address of network printer, 383  
address, IIC trigger pattern, 737  
Addresses softkey, 58  
AER (Arm Event Register), 204, 219, 221, 1155  
ALB waveform data format, 37  
alignment, I2S trigger, 715

all (snapshot) measurement, 430  
ALL segments waveform save option, 649  
AM demo signal, 296  
AM depth, waveform generator modulation, 1048  
AM modulation type, waveform generator, 1058  
amplitude, vertical, 442, 480  
amplitude, waveform generator, 1064  
analog channel coupling, 278  
analog channel display, 279  
analog channel impedance, 280  
analog channel input, 1089  
analog channel inversion, 281  
analog channel labels, 282, 322  
analog channel offset, 283  
analog channel protection lock, 888  
analog channel range, 291  
analog channel scale, 292  
analog channel source for glitch, 949  
analog channel units, 293  
analog channels only oscilloscopes, 6  
analog probe attenuation, 284  
analog probe head type, 286  
analog probe sensing, 1090  
analog probe skew, 288, 1088  
analyzing captured data, 65  
angle brackets, 168  
annotate channels, 282  
annotation background, display, 314  
annotation color, display, 315  
annotation text, display, 316  
annotation, display, 313  
apparent power, 497, 587  
apply network printer connection settings, 384  
arbitrary waveform generator output, 1044  
arbitrary waveform, byte order, 1031  
arbitrary waveform, capturing from other sources, 1039  
arbitrary waveform, clear, 1036  
arbitrary waveform, download DAC values, 1037  
arbitrary waveform, download floating-point values, 1032  
arbitrary waveform, interpolation, 1038  
arbitrary waveform, points, 1035  
arbitrary waveform, recall, 623  
arbitrary waveform, save, 632  
area for hardcopy print, 377  
area for saved image, 1125  
area measurement, 431, 441  
ARINC 429 auto setup, 660

ARINC 429 base, 661  
ARINC 429 demo signal, 298  
ARINC 429 signal speed, 668  
ARINC 429 signal type, 666  
ARINC 429 source, 667  
ARINC 429 trigger data pattern, 670, 831  
ARINC 429 trigger label, 669, 673, 829  
ARINC 429 trigger SDI pattern, 671, 832  
ARINC 429 trigger SSM pattern, 672, 833  
ARINC 429 trigger type, 674, 830  
ARINC 429 word and error counters, reset, 663  
ARINC 429 word format, 665  
Arm Event Register (AER), 204, 219, 221, 1155  
arming edge slope, Edge Then Edge trigger, 924  
arming edge source, Edge Then Edge trigger, 925  
arrange waveforms, 1092  
ASCII format, 1003  
ASCII format for data transfer, 997  
ASCII string, quoted, 168  
ASCIIX waveform data format, 646  
assign channel names, 282  
attenuation factor (external trigger) probe, 337  
attenuation for oscilloscope probe, 284  
audio channel, I2S trigger, 724  
AUT option for probe sense, 1090, 1094  
Auto Range capability for DVM, 328  
auto set up, trigger level, 917  
auto setup (ARINC 429), 660  
auto setup for M1553 trigger, 758  
auto setup for power analysis signals, 589  
auto trigger sweep mode, 911  
automask create, 519  
automask source, 520  
automask units, 521  
automatic measurements constants, 284  
automatic probe type detection, 1090, 1094  
autoscale, 205  
autoscale acquire mode, 207  
autoscale channels, 208  
AUTOScale command, 68  
autoset for FLEXray event trigger, 705  
autosetup for FLEXray decode, 695  
average value measurement, 443, 481  
Average, power modulation analysis, 577  
averaging acquisition type, 240, 995  
averaging, synchronizing with, 1168  
Ax + B math function, 344, 365

**B**

bandwidth filter limits, 276, 336  
bandwidth filter limits to 20 MHz, 277  
bar chart of current harmonics results, 564  
base 10 exponential math function, 345, 365  
base value measurement, 444, 482  
base, ARINC 429, 661  
base, I2S serial decode, 716  
base, MIL-STD-1553 serial decode, 759  
base, UART trigger, 795  
basic instrument functions, 174  
baud rate, 684, 747, 784  
begin acquisition, 211, 232, 234  
BHARis window for minimal spectral leakage, 355  
binary block data, 168, 318, 896, 1001  
BINary waveform data format, 646  
bind levels for masks, 540  
bit order, 785  
bit order, SPI decode, 766  
bit rate measurement, 432  
bit selection command, bus, 255  
bit weights, 179  
bitmap display, 318  
bits in Service Request Enable Register, 192  
bits in Standard Event Status Enable Register, 177  
bits in Status Byte Register, 194  
bits selection command, bus, 256  
blank, 210  
block data, 168, 182, 896  
block response data, 72  
blocking synchronization, 1163  
blocking wait, 1162  
BMP format screen image data, 318  
braces, 167  
built-in measurements, 65  
burst data demo signal, 297  
burst width measurement, 433  
burst, minimum time before next, 932  
bus bit selection command, 255  
bus bits selection commands, 256  
bus clear command, 258  
bus commands, 254  
BUS data format, 998  
bus display, 259  
bus label command, 260  
bus mask command, 261  
BUS<n> commands, 253  
button disable, 883  
button, calibration protect, 268  
byte format for data transfer, 997, 1003  
BYTeorder, 999

**C**

C, SICL library example, 1275

C, VISA library example, 1215  
C#, VISA COM example, 1191  
C#, VISA example, 1234  
C#, VISA.NET example, 1262  
CAL PROTECT button, 268  
CAL PROTECT switch, 264  
calculating preshoot of waveform, 460  
calculating the waveform overshoot, 454  
calibrate, 265, 266, 268, 272  
CALibrate commands, 263  
calibrate date, 265  
calibrate introduction, 264  
calibrate label, 266  
calibrate output, 267  
calibrate start, 269  
calibrate status, 270  
calibrate switch, 268  
calibrate temperature, 271  
calibrate time, 272  
CAN acknowledge, 683  
CAN and LIN demo signal, 298  
CAN baud rate, 684  
CAN demo signal, 298  
CAN frame counters, reset, 680  
CAN SEARch commands, 834  
CAN serial bus commands, 676  
CAN serial search, data, 836  
CAN serial search, data length, 837  
CAN serial search, ID, 838  
CAN serial search, ID mode, 839  
CAN serial search, mode, 835  
CAN signal definition, 685  
CAN source, 686  
CAN trigger, 687, 690  
CAN trigger data pattern, 689  
CAN trigger ID pattern, 691  
CAN trigger pattern id mode, 692  
CAN triggering, 653  
capture data, 211  
capturing data, 64  
cardiac waveform generator output, 1043  
center frequency set, 344, 352  
center of screen, 1026  
center reference, 904  
center screen, vertical value at, 364, 368  
channel, 238, 282, 1085, 1087  
channel coupling, 278  
channel display, 279  
channel input impedance, 280  
channel inversion, 281  
channel label, 282, 1086  
channel labels, 321, 322  
channel numbers, 1092  
channel overload, 290  
channel protection, 290  
channel reset conditions, 187, 885  
channel selected to produce trigger, 949, 980  
channel signal type, 289  
channel skew for oscilloscope probe, 288, 1088  
channel status, 235, 1092  
channel threshold, 1087  
channel vernier, 294  
channel, stop displaying, 210  
CHANnel<n> commands, 273, 275  
channels to autoscale, 208  
channels, how autoscale affects, 205  
characters to display, 881  
chart logic bus state math function, 345, 365  
chart logic bus state, clock edge, 347  
chart logic bus state, clock source, 346  
chart logic bus timing math function, 345, 365  
chart logic bus, units, 350  
chart logic bus, value for data = 0, 349  
chart logic bus, value for data increment, 348  
classes of input signals, 355  
classifications, command, 1172  
clear, 317  
clear bus command, 258  
clear cumulative edge variables, 1085  
clear markers, 434, 1103  
clear measurement, 434, 1103  
clear message queue, 176  
Clear method, 67  
clear persistence data from display, 324  
clear reference waveforms, 1071  
clear screen, 1093  
clear status, 176  
clear waveform area, 312  
clipped high waveform data value, 1001  
clipped low waveform data value, 1001  
clock, 735, 767, 770  
clock slope, I2S, 717  
CLOCk source, I2S, 719  
clock source, setup and hold trigger, 967  
clock timeout, SPI, 768  
clock with infrequent glitch demo signal, 297  
CLS (Clear Status), 176  
CME (Command Error) status bit, 177, 179  
CMOS threshold voltage for digital channels, 309, 1087  
CMOS trigger threshold voltage, 1129  
code, :ACQuire:COMPLete, 241  
code, :ACQuire:SEGMENTed, 247  
code, :ACQuire:TYPE, 252  
code, :AUToscale, 206  
code, :CHANnel<n>:LABel, 282  
code, :CHANnel<n>:PROBe, 284  
code, :CHANnel<n>:RANGe, 291  
code, :DIGitize, 212  
code, :DISPlay:DATA, 318  
code, :DISPlay:LABel, 321  
code, :DISPlay:ORDer, 1092  
code, :MEASure:PERiod, 468  
code, :MEASure:RESults, 462  
code, :MEASure:TEDGe, 477  
code, :MTEST, 515  
code, :POD<n>:THReshold, 551  
code, :RUN/:STOP, 232

- code, :SYSTEM:SETup, 896
  - code, :TIMEbase:DElay, 1128
  - code, :TIMEbase:MODE, 901
  - code, :TIMEbase:RANGe, 903
  - code, :TIMEbase:REFerence, 904
  - code, :TRIGger:MODE, 920
  - code, :TRIGger:SLOPe, 939
  - code, :TRIGger:SOURce, 940
  - code, :VIEW and :BLANk, 238
  - code, :WAVEform, 1014
  - code, :WAVEform:DATA, 1001
  - code, :WAVEform:POINts, 1005
  - code, :WAVEform:PREamble, 1009
  - code, :WAVEform:SEGmented, 247
  - code, :WGEN:ARbitrary:DATA, 1032
  - code, \*RST, 189
  - code, SICL library example in C, 1275
  - code, SICL library example in Visual Basic, 1284
  - code, VISA COM library example in C#, 1191
  - code, VISA COM library example in Python, 1208
  - code, VISA COM library example in Visual Basic, 1182
  - code, VISA COM library example in Visual Basic.NET, 1200
  - code, VISA library example in C, 1215
  - code, VISA library example in C#, 1234
  - code, VISA library example in Python, 1255
  - code, VISA library example in Visual Basic, 1224
  - code, VISA library example in Visual Basic.NET, 1245
  - code, VISA.NET library example in C#, 1262
  - code, VISA.NET library example in Visual Basic.NET, 1268
  - colon, root commands prefixed by, 202
  - color palette for hardcopy, 389
  - color palette for image, 638
  - Comma Separated Values (CSV) waveform data format, 646
  - command classifications, 1172
  - command differences from 7000B Series oscilloscopes, 50
  - command errors detected in Standard Event Status, 179
  - Command Expert, 1262, 1295
  - command header, 1173
  - command headers, common, 1175
  - command headers, compound, 1175
  - command headers, simple, 1175
  - command strings, valid, 1173
  - commands quick reference, 77
  - commands sent over interface, 175
  - commands, more about, 1171
  - commands, obsolete and discontinued, 1079
  - common (\*) commands, 3, 171, 174
  - common command headers, 1175
  - common logarithm math function, 345
  - completion criteria for an acquisition, 241, 242
  - compound command headers, 1175
  - compound header, 1177
  - computer control examples, 1181
  - conditions for external trigger, 335
  - conditions, reset, 187, 885
  - conduction calculation method for switching loss, 611
  - Config softkey, 58
  - configurations, oscilloscope, 182, 186, 190, 896
  - Configure softkey, 58
  - connect oscilloscope, 57
  - connect sampled data points, 1091
  - Connection Expert, 59
  - constants for making automatic measurements, 284
  - constants for scaling display factors, 284
  - constants for setting trigger levels, 284
  - controller initialization, 64
  - copy display, 227
  - copyright, 2
  - core commands, 1172
  - count, 1000
  - count values, 242
  - count, Edge Then Edge trigger, 927
  - count, Nth edge of burst, 931
  - counter, 435
  - coupling, 936
  - COUPling demo signal, 296
  - coupling for channels, 278
  - create automask, 519
  - crest factor, 499, 587
  - CSV (Comma Separated Values) waveform data format, 646
  - cumulative edge activity, 1085
  - current harmonics analysis fail count, 565
  - current harmonics analysis results, save, 642
  - current harmonics analysis run count, 568
  - current harmonics analysis, apply, 562
  - current harmonics results data, 563
  - current harmonics results display, 564
  - current logic levels on digital channels, 203
  - current oscilloscope configuration, 182, 186, 190, 896
  - current probe, 293, 339
  - CURRent segment waveform save option, 649
  - current source, 606
  - cursor mode, 399
  - cursor position, 400, 402, 404, 407, 411
  - cursor readout, 1104, 1108, 1109
  - cursor reset conditions, 187, 885
  - cursor source, 401, 403
  - cursor time, 1104, 1108, 1109
  - cursor units, X, 405, 406
  - cursor units, Y, 412, 413
  - cursors track measurements, 467
  - cursors, how autoscale affects, 205
  - cursors, X1, X2, Y1, Y2, 398
  - cycle count base, FLEXray frame trigger, 708
  - cycle count repetition, FLEXray frame trigger, 709
  - cycle measured, 447, 450
  - cycle time, 457
  - cycles analyzed, number of, 590, 591
- ## D
- D- source, 987
  - D+ source, 988
  - D9010BSEO Infiniium Offline oscilloscope analysis software, 641
  - data, 736, 738, 1001
  - data (waveform) maximum length, 648
  - data 2, 739
  - data acquisition types, 994
  - data conversion, 996
  - data format for transfer, 996
  - data output order, 999
  - data pattern length, 690, 755
  - data pattern, ARINC 429 trigger, 670, 831
  - data pattern, CAN trigger, 689
  - data point index, 1023
  - data points, 244
  - data record, measurement, 1006
  - data record, raw acquisition, 1006
  - data required to fill time buckets, 241
  - DATA source, I2S, 720
  - data source, setup and hold trigger, 968
  - data structures, status reporting, 1141
  - data, saving and recalling, 312
  - date, calibration, 265
  - date, system, 879
  - dB versus frequency, 344
  - DC coupling for edge trigger, 936
  - DC input coupling for specified channel, 278
  - DC offset correction for integrate input, 361
  - DC RMS measured on waveform, 446, 487
  - DC waveform generator output, 1042
  - DDE (Device Dependent Error) status bit, 177, 179
  - decision chart, status reporting, 1160
  - default conditions, 187, 885
  - define channel labels, 282
  - define glitch trigger, 947
  - define logic thresholds, 1087
  - define measurement, 437
  - define measurement source, 468
  - define trigger, 948, 956, 957, 959
  - defined as, 167
  - definite-length block query response, 72
  - definite-length block response data, 168
  - degauss probe, 285
  - delay measured to calculate phase, 458
  - delay measurement, 437
  - delay measurements, 476

- delay parameters for measurement, 439
  - delay time, Edge Then Edge trigger, 926
  - DElay trigger commands, 923
  - delay, how autoscale affects, 205
  - delayed time base, 901
  - delayed window horizontal scale, 909
  - delete mask, 529
  - delta time, 1104
  - delta voltage measurement, 1112
  - delta X cursor, 398
  - delta Y cursor, 398
  - demo, 295
  - DEMO commands, 295
  - demo signal, 297
  - demo signal function, 296
  - demo signal phase angle, 300
  - demo signals output control, 301
  - deskew for power measurements, 559
  - destination, remote command logging, 890
  - detecting probe types, 1090, 1094
  - device-defined error queue clear, 176
  - DIFF source for function, 1095
  - differences from 7000B Series oscilloscope commands, 50
  - differential probe heads, 286
  - differential signal type, 289
  - differentiate math function, 344, 365, 1013
  - digital channel commands, 304, 305, 306, 307, 309
  - digital channel data, 997
  - digital channel labels, 322
  - digital channel order, 1092
  - digital channel source for glitch trigger, 949
  - digital channels, 6
  - digital channels, activity and logic levels on, 203
  - digital channels, groups of, 547, 549, 551
  - digital pod, stop displaying, 210
  - digital reset conditions, 188, 886
  - DIGital<d> commands, 303
  - digitize channels, 211
  - DIGitize command, 64, 69, 994
  - digits, 168
  - disable front panel, 883
  - disable function, 1096
  - disabling calibration, 268
  - disabling channel display, 279
  - disabling status register bits, 177, 191
  - discontinued and obsolete commands, 1079
  - display annotation, 313
  - display annotation background, 314
  - display annotation color, 315
  - display annotation text, 316
  - display channel labels, 321
  - display clear, 317
  - DISPlay commands, 311
  - display commands introduction, 312
  - display connect, 1091
  - display date, 879
  - display factors scaling, 284
  - display for channels, 279
  - display frequency span, 353
  - display measurements, 428, 467
  - display order, 1092
  - display persistence, 323
  - display reference, 902, 904
  - display reference waveforms, 1072
  - display reset conditions, 188, 886
  - display serial number, 233
  - display vectors, 325
  - display wave position, 1092
  - display, lister, 395
  - display, measurement statistics on/off, 471
  - display, oscilloscope, 305, 323, 351, 549, 881
  - display, serial decode bus, 656
  - displaying a baseline, 922
  - displaying unsynchronized signal, 922
  - divide math function, 344, 365
  - DNS IP, 58
  - domain, 58
  - domain, network printer, 385
  - driver, printer, 1101
  - DSO models, 6
  - duplicate mnemonics, 1177
  - duration, 956, 957, 959
  - duration for glitch trigger, 943, 944, 948
  - duration of power analysis, 592, 593, 594, 595, 596, 597
  - duration qualifier, trigger, 956, 957
  - duration triggering, 912
  - duty cycle measurement, 65, 428, 447, 450
  - Duty Cycle, power modulation analysis, 577
  - DVM commands, 327
  - DVM displayed value, 329
  - DVM enable/disable, 330
  - DVM frequency value, 331
  - DVM input source, 333
  - DVM mode, 332
- ## E
- EBURst trigger commands, 930
  - ECL channel threshold, 1087
  - ECL threshold voltage for digital channels, 309
  - ECL trigger threshold voltage, 1129
  - edge activity, 1085
  - edge counter, Edge Then Edge trigger, 927
  - edge counter, Nth edge of burst, 931
  - edge coupling, 936
  - edge fall time, 448
  - edge parameter for delay measurement, 439
  - edge preshoot measured, 460
  - edge rise time, 465
  - EDGE SEARch commands, 808
  - edge search slope, 809
  - edge search source, 810
  - edge slope, 939
  - edge source, 940
  - edge string for OR'ed edge trigger, 951
  - EDGE trigger commands, 935
  - edge triggering, 912
  - edges (activity) on digital channels, 203
  - edges in measurement, 437
  - efficiency, 500
  - efficiency power analysis, apply, 560
  - elapsed time in mask test, 526
  - ellipsis, 168
  - enable channel labels, 321
  - enabling calibration, 268
  - enabling channel display, 279
  - enabling status register bits, 177, 191
  - end of string (EOS) terminator, 1174
  - end of text (EOT) terminator, 1174
  - end or identify (EOI), 1174
  - energy loss, 501
  - EOI (end or identify), 1174
  - EOS (end of string) terminator, 1174
  - EOT (end of text) terminator, 1174
  - erase data, 317
  - erase measurements, 1103
  - erase screen, 1093
  - error counter (ARINC 429), 662
  - error counter (ARINC 429), reset, 663
  - error frame count (CAN), 678
  - error frame count (UART), 786
  - error messages, 882, 1131
  - error number, 882
  - error queue, 882, 1152
  - error, measurement, 428
  - ESB (Event Status Bit), 192, 194
  - ESE (Standard Event Status Enable Register), 177, 1151
  - ESR (Standard Event Status Register), 179, 1150
  - ETE demo signal, 297
  - event status conditions occurred, 194
  - Event Status Enable Register (ESE), 177, 1151
  - Event Status Register (ESR), 179, 237, 1150
  - example code, :ACQuire:COMPLete, 241
  - example code, :ACQuire:SEGMENTed, 247
  - example code, :ACQuire:TYPE, 252
  - example code, :AUToscale, 206
  - example code, :CHANnel<n>:LABel, 282
  - example code, :CHANnel<n>:PROBE, 284
  - example code, :CHANnel<n>:RANGE, 291
  - example code, :DIGitize, 212
  - example code, :DISPlay:DATA, 318
  - example code, :DISPlay:LABel, 321
  - example code, :DISPlay:ORDer, 1092
  - example code, :MEASure:PERiod, 468
  - example code, :MEASure:RESults, 462
  - example code, :MEASure:TEDGE, 477
  - example code, :MTEST, 515
  - example code, :POD<n>:THReshold, 551
  - example code, :RUN/:STOP, 232



- example code, :SYSTem:SETup, 896
  - example code, :TIMebase:DElay, 1128
  - example code, :TIMebase:MODE, 901
  - example code, :TIMebase:RANGE, 903
  - example code, :TIMebase:REfERENCE, 904
  - example code, :TRIGger:MODE, 920
  - example code, :TRIGger:SLOPe, 939
  - example code, :TRIGger:SOURce, 940
  - example code, :VIEW and :BLANk, 238
  - example code, :WAVEform, 1014
  - example code, :WAVEform:DATA, 1001
  - example code, :WAVEform:POINts, 1005
  - example code, :WAVEform:PREamble, 1009
  - example code, :WAVEform:SEGmented, 247
  - example code, :WGEN:ARbitrary:DATA, 1032
  - example code, \*RST, 189
  - example programs, 5, 1181
  - examples on the website, 1181
  - EXE (Execution Error) status bit, 177, 179
  - execution error detected in Standard Event Status, 179
  - exponential fall waveform generator output, 1043
  - exponential math function, 345, 365
  - exponential notation, 167
  - exponential rise waveform generator output, 1043
  - extended video triggering license, 981
  - external glitch trigger source, 949
  - external range, 338
  - external trigger, 335, 337, 940
  - EXternal trigger commands, 335
  - EXternal trigger level, 937
  - external trigger probe attenuation factor, 337
  - external trigger probe sensing, 1094
  - EXternal trigger source, 940
  - external trigger units, 339
- ## F
- fail count, current harmonics analysis, 565
  - fail/pass status (overall) for current harmonics analysis, 570
  - failed waveforms in mask test, 524
  - failure, self test, 196
  - fall time measurement, 428, 448
  - Fall Time, power modulation analysis, 577
  - falling edge count measurement, 451
  - falling pulse count measurement, 452
  - Fast Fourier Transform (FFT) functions, 344, 352, 353, 355, 1095
  - FF values in waveform data, 1001
  - FFT (Fast Fourier Transform) functions, 344, 352, 353, 355, 1095
  - FFT (Fast Fourier Transform) operation, 365, 1013
  - FFT vertical units, 354
  - fifty ohm impedance, disable setting, 888
  - filename for hardcopy, 1098
  - filename for recall, 624, 1040
  - filename for save, 633
  - filter for frequency reject, 938
  - filter for high frequency reject, 915
  - filter for noise reject, 921
  - filter used to limit bandwidth, 277, 336
  - filters to Fast Fourier Transforms, 355
  - filters, math, 345
  - fine horizontal adjustment (vernier), 906
  - fine vertical adjustment (vernier), 294
  - finish pending device operations, 183
  - first point displayed, 1023
  - FLATtop window for amplitude measurements, 355
  - FLEXray autotest for event trigger, 705
  - FLEXray autotest, 695
  - FlexRay demo signal, 298
  - FlexRay frame counters, reset, 699
  - FLEXray SEARCh commands, 840
  - FlexRay serial search, cycle, 841
  - FlexRay serial search, data, 842
  - FlexRay serial search, data length, 843
  - FlexRay serial search, frame, 844
  - FlexRay serial search, mode, 845
  - FLEXray source, 702
  - FLEXray trigger, 703
  - FLEXray trigger commands, 693
  - FM burst demo signal, 296
  - FM modulation type, waveform generator, 1058
  - force trigger, 914
  - format, 1003, 1008
  - format (word), ARINC 429, 665
  - format for block data, 182
  - format for generic video, 977, 981
  - format for hardcopy, 1097
  - format for image, 636
  - format for waveform data, 646
  - FormattedIO488 object, 67
  - formfeed for hardcopy, 376, 380
  - formulas for data conversion, 996
  - frame, 771
  - frame counters (CAN), error, 678
  - frame counters (CAN), overload, 679
  - frame counters (CAN), reset, 680
  - frame counters (CAN), total, 681
  - frame counters (FlexRay), null, 698, 700
  - frame counters (FlexRay), reset, 699
  - frame counters (FlexRay), total, 701
  - frame counters (UART), error, 786
  - frame counters (UART), reset, 787
  - frame counters (UART), Rx frames, 788
  - frame counters (UART), Tx frames, 789
  - frame ID, FLEXray BSS event trigger, 706
  - frame ID, FLEXray frame trigger, 710
  - frame type, FLEXray frame trigger, 711
  - framing, 769
  - frequency deviation, waveform generator FM modulation, 1050
  - frequency measurement, 65, 428, 449
  - frequency measurements with X cursors, 405
  - frequency resolution, 355
  - frequency span of display, 353
  - frequency versus dB, 344
  - Frequency, power modulation analysis, 577
  - front panel mode, 922
  - front panel Single key, 234
  - front panel Stop key, 236
  - front-panel lock, 883
  - FSK modulation type, waveform generator, 1058
  - FSK rate, waveform generator modulation, 1053
  - full-scale horizontal time, 903, 908
  - full-scale vertical axis defined, 367
  - function, 238, 351, 352, 353, 355, 364, 365, 367, 368, 369, 1095, 1096
  - FUNCTION commands, 341
  - function memory, 235
  - function turned on or off, 1096
  - function, demo signal, 296
  - function, first source input, 370
  - function, second source input, 372
  - function, waveform generator, 1041
  - functions, 1013
- ## G
- g(t) source, first input channel, 359
  - g(t) source, math operation, 358
  - g(t) source, second input channel, 360
  - gain for Ax + B math operation, 362
  - gateway IP, 58
  - gaussian pulse waveform generator output, 1043
  - general SBUS<n> commands, 655
  - general SEARCh commands, 804
  - general trigger commands, 913
  - GENeric, 977, 981
  - generic video format, 977, 981
  - Generic video trigger, edge number, 982
  - Generic video trigger, greater than sync pulse width time, 985
  - Generic video trigger, horizontal sync control, 983
  - Generic video trigger, horizontal sync pulse time, 984
  - glitch demo signal, 297
  - glitch duration, 948
  - glitch qualifier, 947
  - GLITCh SEARCh commands, 811
  - glitch search, greater than value, 812
  - glitch search, less than value, 813
  - glitch search, polarity, 814
  - glitch search, qualifier, 815
  - glitch search, range, 816
  - glitch search, source, 817
  - glitch source, 949
  - GLITCh trigger commands, 941
  - glitch trigger duration, 943

glitch trigger polarity, 946  
 glitch trigger source, 943  
 GPIB interface, 57, 58  
 graticule area for hardcopy print, 377  
 graticule colors, invert for hardcopy, 381, 1100  
 graticule colors, invert for image, 637  
 grayscale palette for hardcopy, 389  
 grayscale palette for image, 638  
 grayscale on hardcopy, 1099  
 greater than qualifier, 947  
 greater than time, 943, 948, 956, 959  
 greater than value for glitch search, 812  
 groups of digital channels, 547, 549, 551, 1087

## H

HANNing window for frequency resolution, 355  
 hardcopy, 227, 376  
 HARDcopy commands, 375  
 hardcopy factors, 379, 635  
 hardcopy filename, 1098  
 hardcopy format, 1097  
 hardcopy formfeed, 380  
 hardcopy grayscale, 1099  
 hardcopy invert graticule colors, 381, 1100  
 hardcopy layout, 382  
 hardcopy palette, 389  
 hardcopy print, area, 377  
 hardcopy printer driver, 1101  
 HARMonics demo signal, 296  
 head type, probe, 286  
 header, 1173  
 high pass filter math function, 345  
 high resolution acquisition type, 996  
 high trigger level, 918  
 high-frequency reject filter, 915, 938  
 high-level voltage, waveform generator, 1065  
 high-pass filter cutoff frequency, 356  
 high-pass filter math function, 365  
 high-resolution acquisition type, 240  
 hold time, setup and hold trigger, 969  
 hold until operation complete, 183  
 holdoff time, 916  
 holes in waveform data, 1001  
 hop frequency, waveform generator FSK modulation, 1052  
 horizontal adjustment, fine (vernier), 906  
 horizontal position, 907  
 horizontal scale, 905, 909  
 horizontal scaling, 1008  
 horizontal time, 903, 908, 1104  
 Host ID of oscilloscope, 880  
 Host name softkey, 58  
 hostname, 58

## I

I1080L50HZ, 977, 981  
 I1080L60HZ, 977, 981  
 I2C demo signal, 297  
 I2S alignment, 715  
 I2S audio channel, 724  
 I2S clock slope, 717  
 I2S CLOCK source, 719  
 I2S DATA source, 720  
 I2S demo signal, 298  
 I2S pattern data, 725  
 I2S pattern format, 727  
 I2S range, 728  
 I2S receiver width, 718  
 I2S SEARCh commands, 846  
 I2S serial bus commands, 712  
 I2S serial decode base, 716  
 I2S serial search, audio channel, 847  
 I2S serial search, data, 849  
 I2S serial search, format, 850  
 I2S serial search, mode, 848  
 I2S serial search, range, 851  
 I2S transmit word size, 730  
 I2S trigger operator, 722  
 I2S triggering, 653  
 I2S word select (WS) low, 731  
 I2S word select (WS) source, 721  
 id mode, 692  
 ID pattern, CAN trigger, 691  
 identification number, 181  
 identification of options, 184  
 identifier, LIN, 752  
 idle, 932  
 idle until operation complete, 183  
 IDN (Identification Number), 181  
 IEC 61000-3-2 standard for current harmonics analysis, 569  
 IEEE 488.2 standard, 174  
 IIC address, 737  
 IIC clock, 735  
 IIC data, 736, 738  
 IIC data 2, 739  
 IIC SEARCh commands, 852  
 IIC serial decode address field size, 734  
 IIC serial search, address, 855  
 IIC serial search, data, 856  
 IIC serial search, data2, 857  
 IIC serial search, mode, 853  
 IIC serial search, qualifier, 858  
 IIC trigger commands, 732  
 IIC trigger qualifier, 740  
 IIC trigger type, 741  
 IIC triggering, 654  
 image format, 636  
 image invert graticule colors, 637  
 image memory, 235  
 image palette, 638  
 image, save, 634  
 image, save with inksaver, 637  
 impedance, 280  
 infinity representation, 1179  
 initial load current, transient response analysis, 618  
 initialization, 64, 67  
 initialize, 187, 885  
 initialize label list, 322  
 initiate acquisition, 211  
 inksaver, save image with, 637  
 input coupling for channels, 278  
 input for integrate, DC offset correction, 361  
 input impedance for channels, 280, 1089  
 input inversion for specified channel, 281  
 input power, 503  
 inrush current, 507  
 inrush current analysis, 572, 573, 574  
 inrush current expected, 598  
 insert label, 282  
 installed options identified, 184  
 instruction header, 1173  
 instrument number, 181  
 instrument options identified, 184  
 instrument requests service, 194  
 instrument serial number, 233  
 instrument settings, 376  
 instrument status, 74  
 instrument type, 181  
 integrate DC offset correction, 361  
 integrate math function, 344, 365, 1013  
 INTEgrate source for function, 1095  
 intensity, waveform, 320  
 internal low-pass filter, 276, 277, 336  
 introduction to :ACQuire commands, 239  
 introduction to :BUS<n> commands, 254  
 introduction to :CALibrate commands, 264  
 introduction to :CHANnel<n> commands, 275  
 introduction to :DEMO commands, 295  
 introduction to :DIGital<d> commands, 304  
 introduction to :DISPlay commands, 312  
 introduction to :EXTernal commands, 335  
 introduction to :FUNction commands, 344  
 introduction to :HARDcopy commands, 376  
 introduction to :LISTer commands, 393  
 introduction to :MARKer commands, 398  
 introduction to :MEASure commands, 428  
 introduction to :POD<n> commands, 547  
 introduction to :RECall commands, 622  
 introduction to :SAVE commands, 631  
 introduction to :SBUS commands, 653  
 introduction to :SYSTem commands, 878  
 introduction to :TIMEbase commands, 900  
 introduction to :TRIGger commands, 911  
 introduction to :WAVEform commands, 993  
 introduction to :WGEN commands, 1029  
 introduction to :WMEMemory<r> commands, 1069  
 introduction to common (\*) commands, 174  
 introduction to root (: ) commands, 202

invert graticule colors for hardcopy, [381](#), [1100](#)  
 invert graticule colors for image, [637](#)  
 inverted masks, bind levels, [540](#)  
 inverting input for channels, [281](#)  
 IO library, referencing, [66](#)  
 IP address, [58](#)

## K

key disable, [883](#)  
 key press detected in Standard Event Status Register, [179](#)  
 Keysight Interactive IO application, [61](#)  
 Keysight IO Control icon, [59](#)  
 Keysight IO Libraries Suite, [6](#), [55](#), [66](#), [68](#)  
 Keysight IO Libraries Suite, installing, [56](#)  
 knob disable, [883](#)  
 known state, [187](#), [885](#)

## L

label, [1086](#)  
 label command, bus, [260](#)  
 label list, [282](#), [322](#)  
 label reference waveforms, [1073](#)  
 label, ARINC 429 trigger, [669](#), [673](#), [829](#)  
 label, digital channel, [306](#)  
 labels, [282](#), [321](#), [322](#)  
 labels to store calibration information, [266](#)  
 labels, specifying, [312](#)  
 LAN instrument, [60](#)  
 LAN interface, [57](#), [59](#)  
 LAN Settings softkey, [58](#)  
 landscape layout for hardcopy, [382](#)  
 language for program examples, [63](#)  
 layout for hardcopy, [382](#)  
 leakage into peak spectrum, [355](#)  
 learn string, [182](#), [896](#)  
 least significant byte first, [999](#)  
 left reference, [904](#)  
 legal values for channel offset, [283](#)  
 legal values for frequency span, [353](#)  
 legal values for offset, [364](#), [368](#)  
 length for waveform data, [647](#)  
 less than qualifier, [947](#)  
 less than time, [944](#), [948](#), [957](#), [959](#)  
 less than value for glitch search, [813](#)  
 level for trigger voltage, [937](#), [945](#)  
 LF coupling, [936](#)  
 license information, [184](#)  
 limit bandwidth, [276](#)  
 limits for line number, [977](#)  
 LIN acknowledge, [746](#)  
 LIN baud rate, [747](#)  
 LIN demo signal, [298](#)  
 LIN identifier, [752](#)  
 LIN pattern data, [753](#)  
 LIN pattern format, [756](#)  
 LIN SEARCh commands, [859](#)

LIN serial decode bus parity bits, [745](#)  
 LIN serial search, data, [862](#)  
 LIN serial search, data format, [864](#)  
 LIN serial search, data length, [863](#)  
 LIN serial search, frame ID, [860](#)  
 LIN serial search, mode, [861](#)  
 LIN source, [748](#)  
 LIN standard, [749](#)  
 LIN sync break, [750](#)  
 LIN trigger, [751](#), [755](#)  
 LIN trigger commands, [743](#)  
 LIN trigger definition, [1126](#)  
 LIN triggering, [654](#)  
 line frequency setting for current harmonics analysis, [566](#)  
 line glitch trigger source, [949](#)  
 line number for TV trigger, [977](#)  
 line terminator, [167](#)  
 LINE trigger level, [937](#)  
 LINE trigger source, [940](#)  
 list of channel labels, [322](#)  
 LISTer commands, [393](#)  
 lister display, [395](#)  
 lister time reference, [396](#)  
 ln (natural logarithm) math function, [365](#)  
 ln math function, [345](#)  
 load utilization (CAN), [682](#)  
 local lockout, [883](#)  
 lock, [883](#)  
 lock mask to signal, [531](#)  
 lock, analog channel protection, [888](#)  
 lockout message, [883](#)  
 log (common logarithm) math function, [365](#)  
 log file name, remote command logging, [889](#), [892](#)  
 log math function, [345](#)  
 logic level activity, [1085](#)  
 long form, [1174](#)  
 low frequency sine with glitch demo signal, [296](#)  
 low pass filter math function, [345](#)  
 low trigger level, [919](#)  
 lower threshold, [457](#)  
 lower threshold voltage for measurement, [1102](#)  
 lowercase characters in commands, [1173](#)  
 low-frequency reject filter, [938](#)  
 low-level voltage, waveform generator, [1066](#)  
 low-pass filter cutoff frequency, [357](#)  
 low-pass filter math function, [365](#)  
 low-pass filter used to limit bandwidth, [276](#), [277](#), [336](#)  
 LRN (Learn Device Setup), [182](#)  
 lsbfirst, [999](#)

## M

M1553 SEARCh commands, [865](#)  
 M1553 trigger commands, [757](#)  
 M1553 trigger type, [763](#)

magnify math function, [345](#), [365](#)  
 magnitude of occurrence, [478](#)  
 main sweep range, [907](#)  
 main time base, [1128](#)  
 main time base mode, [901](#)  
 making measurements, [428](#)  
 MAN option for probe sense, [1090](#), [1094](#)  
 manual cursor mode, [399](#)  
 MARKer commands, [397](#)  
 marker mode, [407](#)  
 marker position, [409](#)  
 marker readout, [1108](#), [1109](#)  
 marker set for voltage measurement, [1113](#), [1114](#)  
 marker sets start time, [1105](#)  
 marker time, [1104](#)  
 markers for delta voltage measurement, [1112](#)  
 markers track measurements, [467](#)  
 markers, command overview, [398](#)  
 markers, mode, [399](#)  
 markers, time at start, [1109](#)  
 markers, time at stop, [1108](#)  
 markers, X delta, [404](#)  
 markers, X1 position, [400](#)  
 markers, X1Y1 source, [401](#)  
 markers, X2 position, [402](#)  
 markers, X2Y2 source, [403](#)  
 markers, Y delta, [411](#)  
 markers, Y1 position, [407](#)  
 markers, Y2 position, [409](#)  
 mask, [177](#), [191](#)  
 mask command, bus, [261](#)  
 mask statistics, reset, [525](#)  
 mask test commands, [513](#)  
 Mask Test Event Enable Register (MTEenable), [213](#)  
 mask test event event register, [215](#)  
 Mask Test Event Event Register (:MTERegister[:EVENT]), [215](#), [1157](#)  
 mask test run mode, [532](#)  
 mask test termination conditions, [532](#)  
 mask test, all channels, [518](#)  
 mask test, enable/disable, [530](#)  
 mask, delete, [529](#)  
 mask, get as binary block data, [528](#)  
 mask, load from binary block data, [528](#)  
 mask, lock to signal, [531](#)  
 mask, recall, [625](#)  
 mask, save, [639](#), [640](#)  
 masks, bind levels, [540](#)  
 master summary status bit, [194](#)  
 math filters, [345](#)  
 math function, stop displaying, [210](#)  
 math operators, [344](#)  
 math transforms, [344](#)  
 math visualizations, [345](#)  
 MAV (Message Available), [176](#), [192](#), [194](#)  
 maximum duration, [944](#), [956](#), [957](#)  
 maximum position, [902](#)  
 maximum range for zoomed window, [908](#)  
 maximum scale for zoomed window, [909](#)

- maximum vertical value measurement, [483](#)
  - maximum vertical value, time of, [491](#), [1106](#)
  - maximum waveform data length, [648](#)
  - MEASure commands, [415](#)
  - measure mask test failures, [533](#)
  - measure overshoot, [454](#)
  - measure period, [457](#)
  - measure phase between channels, [458](#)
  - MEASure power commands, [493](#)
  - measure preshoot, [460](#)
  - measure start voltage, [1113](#)
  - measure stop voltage, [1114](#)
  - measure value at a specified time, [488](#)
  - measure value at top of waveform, [489](#)
  - measurement error, [428](#)
  - measurement record, [1006](#)
  - measurement setup, [428](#), [468](#)
  - measurement source, [468](#)
  - measurement statistics results, [462](#)
  - measurement statistics, display on/off, [471](#)
  - measurement trend math function, [345](#), [365](#)
  - measurement window, [490](#)
  - measurements, AC RMS, [446](#), [487](#)
  - measurements, area, [431](#), [441](#)
  - measurements, average value, [443](#), [481](#)
  - measurements, base value, [444](#), [482](#)
  - measurements, built-in, [65](#)
  - measurements, burst width, [433](#)
  - measurements, clear, [434](#), [1103](#)
  - measurements, command overview, [428](#)
  - measurements, counter, [435](#)
  - measurements, DC RMS, [446](#), [487](#)
  - measurements, definition setup, [437](#)
  - measurements, delay, [439](#)
  - measurements, duty cycle, [447](#)
  - measurements, fall time, [448](#)
  - measurements, falling edge count, [451](#)
  - measurements, falling pulse count, [452](#)
  - measurements, frequency, [449](#)
  - measurements, how autoscale affects, [205](#)
  - measurements, lower threshold level, [1102](#)
  - measurements, maximum vertical value, [483](#)
  - measurements, maximum vertical value, time of, [491](#), [1106](#)
  - measurements, minimum vertical value, [484](#)
  - measurements, minimum vertical value, time of, [492](#), [1107](#)
  - measurements, negative duty cycle, [450](#)
  - measurements, overshoot, [454](#)
  - measurements, period, [457](#)
  - measurements, phase, [458](#)
  - measurements, preshoot, [460](#)
  - measurements, pulse width, negative, [453](#)
  - measurements, pulse width, positive, [461](#)
  - measurements, ratio of AC RMS values, [486](#)
  - measurements, rise time, [465](#)
  - measurements, rising edge count, [456](#)
  - measurements, rising pulse count, [459](#)
  - measurements, show, [467](#)
  - measurements, snapshot all, [430](#)
  - measurements, source channel, [468](#)
  - measurements, standard deviation, [466](#)
  - measurements, start marker time, [1108](#)
  - measurements, stop marker time, [1109](#)
  - measurements, thresholds, [1105](#)
  - measurements, time between start and stop markers, [1104](#)
  - measurements, time between trigger and edge, [476](#)
  - measurements, time between trigger and vertical value, [478](#)
  - measurements, time between trigger and voltage level, [1110](#)
  - measurements, upper threshold value, [1111](#)
  - measurements, vertical amplitude, [442](#), [480](#)
  - measurements, vertical peak-to-peak, [445](#), [485](#)
  - measurements, voltage difference, [1112](#)
  - memory setup, [190](#), [896](#)
  - menu, system, [884](#)
  - message available bit, [194](#)
  - message available bit clear, [176](#)
  - message displayed, [194](#)
  - message error, [1131](#)
  - message queue, [1149](#)
  - messages ready, [194](#)
  - midpoint of thresholds, [457](#)
  - MIL-STD-1553 demo signal, [298](#)
  - MIL-STD-1553 serial decode base, [759](#)
  - MIL-STD-1553 serial search, data, [867](#)
  - MIL-STD-1553 serial search, mode, [866](#)
  - MIL-STD-1553 serial search, Remote Terminal Address, [868](#)
  - MIL-STD-1553, dual demo signal, [298](#)
  - minimum duration, [943](#), [956](#), [957](#), [959](#)
  - minimum vertical value measurement, [484](#)
  - minimum vertical value, time of, [492](#), [1107](#)
  - MISO data pattern width, [775](#)
  - MISO data pattern, SPI trigger, [774](#)
  - MISO data source, SPI trigger, [772](#)
  - MISO data, SPI, [1017](#)
  - mixed-signal demo signals, [297](#)
  - mixed-signal oscilloscopes, [6](#)
  - mnemonics, duplicate, [1177](#)
  - mode, [399](#), [901](#), [978](#)
  - mode, serial decode, [657](#)
  - model number, [181](#)
  - models, oscilloscope, [3](#)
  - modes for triggering, [920](#)
  - Modify softkey, [58](#)
  - modulating signal frequency, waveform generator, [1049](#), [1051](#)
  - modulation (waveform generator), enabling/disabling, [1057](#)
  - modulation analysis, [575](#)
  - modulation analysis source (voltage or current), [576](#)
  - modulation analysis, type of, [577](#)
  - modulation type, waveform generator, [1058](#)
  - MOSI data pattern width, [777](#)
  - MOSI data pattern, SPI trigger, [776](#)
  - MOSI data source, SPI trigger, [773](#), [1127](#)
  - most significant byte first, [999](#)
  - move cursors, [1108](#), [1109](#)
  - msbfirst, [999](#)
  - MSG (Message), [192](#), [194](#)
  - MSO models, [6](#)
  - MSS (Master Summary Status), [194](#)
  - MTEenable (Mask Test Event Enable Register), [213](#)
  - MTERegister[:EVENT] (Mask Test Event Event Register), [215](#), [1157](#)
  - MTESt commands, [513](#)
  - multi-channel waveform data, save, [641](#)
  - multiple commands, [1177](#)
  - multiple queries, [73](#)
  - multiply math function, [344](#), [365](#), [1013](#)
  - multiply math function as g(t) source, [358](#)
- ## N
- N2820A high sensitivity current probe, [37](#), [441](#), [442](#), [443](#), [444](#), [445](#), [446](#)
  - name channels, [282](#)
  - name list, [322](#)
  - natural logarithm math function, [345](#)
  - negative glitch trigger polarity, [946](#)
  - negative pulse width, [453](#)
  - negative pulse width measurement, [65](#)
  - negative pulse width, power modulation analysis, [577](#)
  - negative slope, [767](#), [939](#)
  - negative slope, Nth edge in burst, [933](#)
  - negative TV trigger polarity, [979](#)
  - network domain password, [386](#)
  - network domain user name, [388](#)
  - network printer address, [383](#)
  - network printer domain, [385](#)
  - network printer slot, [387](#)
  - network printer, apply connection settings, [384](#)
  - new line (NL) terminator, [167](#), [1174](#)
  - new load current, transient response analysis, [619](#)
  - NL (new line) terminator, [167](#), [1174](#)
  - noise floor, [612](#), [615](#)
  - noise reject filter, [921](#)
  - noise waveform generator output, [1042](#)
  - noise, adding to waveform generator output, [1056](#)
  - noisy sine waveform demo signal, [296](#)
  - non-core commands, [1172](#)
  - non-interlaced GENeric mode, [981](#)
  - non-volatile memory, label list, [260](#), [306](#), [322](#)
  - normal acquisition type, [239](#), [995](#)
  - normal trigger sweep mode, [911](#)



notices, 2  
 NR1 number format, 167  
 NR3 number format, 167  
 Nth edge burst trigger source, 934  
 Nth edge burst triggering, 912  
 Nth edge in a burst idle, 932  
 Nth edge in burst slope, 933  
 Nth edge of burst counter, 931  
 Nth edge of Edge Then Edge trigger, 927  
 NTSC, 977, 981  
 null frame count (FlexRay), 698  
 null offset, 612  
 NULL string, 881  
 number format, 167  
 number of points, 244, 1004, 1006  
 number of time buckets, 1004, 1006  
 numeric variables, 72  
 numeric variables, reading query results into  
   multiple, 74  
 nwidth, 453

## O

obsolete and discontinued  
   commands, 1079  
 obsolete commands, 1172  
 occurrence reported by magnitude, 1110  
 offset, 345  
 offset for Ax + B math operation, 363  
 offset value for channel voltage, 283  
 offset value for selected function, 364, 368  
 offset, waveform generator, 1067  
 one values in waveform data, 1001  
 OPC (Operation Complete) command, 183  
 OPC (Operation Complete) status bit, 177, 179  
 OPEE (Operation Status Enable Register), 217  
 Open method, 67  
 operating configuration, 182, 896  
 operating state, 190  
 operation complete, 183  
 operation status condition register, 219  
 Operation Status Condition Register  
   (:OPERRegister:CONDition), 219, 1154  
 operation status conditions occurred, 194  
 Operation Status Enable Register  
   (OPEE), 217  
 operation status event register, 221  
 Operation Status Event Register  
   (:OPERRegister[:EVENT]), 221, 1153  
 operations for function, 365  
 operators, math, 344  
 OPERRegister:CONDition (Operation Status  
   Condition Register), 219, 1154  
 OPERRegister[:EVENT] (Operation Status  
   Event Register), 221, 1153  
 OPT (Option Identification), 184  
 optional syntax terms, 167  
 options, 184  
 OR trigger commands, 950  
 order of digital channels on display, 1092  
 order of output, 999  
 oscilloscope connection, opening, 67  
 oscilloscope connection, verifying, 59  
 oscilloscope external trigger, 335  
 oscilloscope models, 3  
 oscilloscope rate, 250  
 oscilloscope, connecting, 57  
 oscilloscope, initialization, 64  
 oscilloscope, operation, 6  
 oscilloscope, program structure, 64  
 oscilloscope, setting up, 57  
 oscilloscope, setup, 68  
 output control, demo signals, 301  
 output control, waveform generator, 1060  
 output load impedance, waveform  
   generator, 1061  
 output messages ready, 194  
 output power, 506  
 output queue, 183, 1148  
 output queue clear, 176  
 output ripple, 511  
 output ripple analysis, 588  
 output sequence, 999  
 overall pass/fail status for current harmonics  
   analysis, 570  
 overlapped commands, 1180  
 overload, 290  
 Overload Event Enable Register (OVL), 223  
 Overload Event Register  
   (:OVLRegister), 1156  
 Overload Event Register (OVLr), 225  
 overload frame count (CAN), 679  
 overload protection, 223, 225  
 overshoot of waveform, 454  
 overshoot percent for transient response  
   analysis, 599  
 overvoltage, 290  
 OVL (Overload Event Enable Register), 223  
 OVLr (Overload Event Register), 225  
 OVLr bit, 219, 221  
 OVLRegister (Overload Event  
   Register), 1156

## P

P1080L24HZ, 977, 981  
 P1080L25HZ, 977, 981  
 P1080L50HZ, 977, 981  
 P1080L60HZ, 977, 981  
 P480L60HZ, 977, 981  
 P720L60HZ, 977, 981  
 PAL, 977, 981  
 palette for hardcopy, 389  
 palette for image, 638  
 PAL-M, 977, 981  
 parameters for delay measurement, 439  
 parametric measurements, 428  
 parity, 791  
 parity bits, LIN serial decode bus, 745  
 parser, 202, 1177  
 pass, self test, 196  
 pass/fail status (overall) for current  
   harmonics analysis, 570  
 password, network domain, 386  
 path information, recall, 626  
 path information, save, 643  
 pattern, 737, 738, 739  
 pattern data, I2S, 725  
 pattern data, LIN, 753  
 pattern duration, 943, 944, 956, 957  
 pattern for pattern trigger, 953  
 pattern format, I2S, 727  
 pattern format, LIN, 756  
 pattern length, 690, 755  
 PATtern trigger commands, 952  
 pattern trigger format, 955  
 pattern trigger qualifier, 958  
 pattern triggering, 912  
 pattern width, 775, 777  
 peak current, 507  
 peak data, 995  
 peak detect, 251  
 peak detect acquisition type, 240, 995  
 peak-to-peak vertical value  
   measurement, 445, 485  
 pending operations, 183  
 percent of waveform overshoot, 454  
 percent thresholds, 437  
 period measured to calculate phase, 458  
 period measurement, 65, 428, 457  
 Period, power modulation analysis, 577  
 period, waveform generator, 1062  
 persistence data, clear from display, 324  
 persistence, waveform, 312, 323  
 phase angle, 587  
 phase angle, demo signals, 300  
 phase measured between channels, 458  
 phase measurements, 476  
 phase measurements with X cursors, 405  
 phase shifted demo signals, 296  
 PNG format screen image data, 318  
 pod, 547, 549, 550, 551, 1013, 1087  
 POD commands, 547  
 POD data format, 998  
 pod, stop displaying, 210  
 points, 244, 1004, 1006  
 points in waveform data, 994  
 polarity, 792, 979  
 polarity for glitch search, 814  
 polarity for glitch trigger, 946  
 polarity, runt search, 819  
 polarity, runt trigger, 961  
 polling synchronization with timeout, 1164  
 polling wait, 1162  
 PON (Power On) status bit, 177, 179  
 portrait layout for hardcopy, 382  
 position, 307, 402, 902, 907  
 position cursors, 1108, 1109  
 position in zoomed view, 907  
 position waveforms, 1092  
 positive glitch trigger polarity, 946  
 positive pulse width, 461

positive pulse width measurement, 65  
 positive pulse width, power modulation analysis, 577  
 positive slope, 767, 939  
 positive slope, Nth edge in burst, 933  
 positive TV trigger polarity, 979  
 positive width, 461  
 power analysis, enabling, 561  
 POWer commands, 553  
 Power Event Enable Register (PWREnable), 228  
 power event event register, 230  
 Power Event Event Register (:PWRRegister[:EVENT]), 230, 1158  
 power factor, 502, 587  
 power factor for IEC 61000-3-2 Standard Class C, 567  
 power loss, 508  
 power phase angle, 496  
 power quality analysis, 586  
 power quality type, 587  
 power supply rejection ratio (PSRR), 582, 583, 584, 585  
 preamble data, 1008  
 preamble metadata, 994  
 predefined logic threshold, 1087  
 predefined threshold voltages, 1129  
 present working directory, recall operations, 626  
 present working directory, save operations, 643  
 preset conditions, 885  
 preshoot measured on waveform, 460  
 previously stored configuration, 186  
 print command, 227  
 print job, start, 391  
 print mask test failures, 534  
 print query, 1123  
 printer driver for hardcopy, 1101  
 printer, active, 378  
 printing, 376  
 printing in grayscale, 1099  
 probe, 937  
 probe attenuation affects channel voltage range, 291  
 probe attenuation factor (external trigger), 337  
 probe attenuation factor for selected channel, 284  
 probe head type, 286  
 probe ID, 287  
 probe sense for oscilloscope, 1090, 1094  
 probe skew value, 288, 1088  
 process sigma, mask test run, 537  
 program data, 1174  
 program data syntax rules, 1176  
 program initialization, 64  
 program message, 67, 175  
 program message syntax, 1173  
 program message terminator, 1174  
 program structure, 64  
 programming examples, 5, 1181

protecting against calibration, 268  
 protection, 223, 225, 290  
 protection lock, 888  
 pulse waveform generator output, 1042  
 pulse width, 453, 461  
 pulse width duration trigger, 943, 944, 948  
 pulse width measurement, 65, 428  
 pulse width trigger, 921  
 pulse width trigger level, 945  
 pulse width triggering, 912  
 pulse width, waveform generator, 1045  
 pwidth, 461  
 PWREnable (Power Event Enable Register), 228  
 PWRRegister[:EVENT] (Power Event Event Register), 230, 1158  
 Python, VISA COM example, 1208  
 Python, VISA example, 1255  
 PyVISA package, 1255

## Q

qualifier, 948  
 qualifier for glitch search, 815  
 qualifier, runt search, 820  
 qualifier, runt trigger, 962  
 qualifier, transition search, 824  
 qualifier, transition trigger, 972  
 qualifier, trigger duration, 956, 957  
 qualifier, trigger pattern, 958  
 queries, multiple, 73  
 query error detected in Standard Event Status, 179  
 query responses, block data, 72  
 query responses, reading, 71  
 query results, reading into numeric variables, 72  
 query results, reading into string variables, 72  
 query return values, 1179  
 query setup, 376, 398, 428, 896  
 query subsystem, 254, 304  
 querying setup, 275  
 querying the subsystem, 912  
 queues, clearing, 1159  
 quick reference, commands, 77  
 quoted ASCII string, 168  
 QYE (Query Error) status bit, 177, 179

## R

ramp symmetry, waveform generator, 1046  
 ramp symmetry, waveform generator modulating signal, 1055  
 ramp waveform generator output, 1042  
 range, 345, 908  
 range for channels, 291  
 range for duration trigger, 959  
 range for external trigger, 338

range for full-scale vertical axis, 367  
 range for glitch search, 816  
 range for glitch trigger, 948  
 range for time base, 903  
 range of offset values, 283  
 range qualifier, 947  
 range, I2S, 728  
 ranges, value, 168  
 rate, 250  
 ratio measurements with X cursors, 405  
 ratio measurements with Y cursors, 412  
 ratio of AC RMS values measured between channels, 486  
 Ratio, power modulation analysis, 577  
 raw acquisition record, 1006  
 RCL (Recall), 186  
 Rds (dynamic ON resistance) waveform, 611  
 Rds(on) value for conduction calculation, 613  
 reactive power, 509, 587  
 read configuration, 182  
 ReadIIEEEBlock method, 67, 71, 73  
 ReadList method, 67, 71  
 ReadNumber method, 67, 71  
 readout, 1104  
 ReadString method, 67, 71  
 real (actual) power, 587  
 real power, 510  
 real-time acquisition mode, 243  
 recall, 186, 622, 896  
 recall arbitrary waveform, 623  
 RECall commands, 621  
 recall filename, 624, 1040  
 recall mask, 625  
 recall path information, 626  
 recall reference waveform, 628  
 recall setup, 627  
 recalling and saving data, 312  
 receiver width, I2S, 718  
 RECTangular window for transient signals, 355  
 reference, 345, 904  
 reference for time base, 1128  
 reference waveform save source, 650  
 reference waveform, recall, 628  
 reference waveform, save, 651  
 reference waveforms, clear, 1071  
 reference waveforms, display, 1072  
 reference waveforms, label, 1073  
 reference waveforms, save to, 1074  
 reference waveforms, skew, 1075  
 reference waveforms, Y offset, 1076  
 reference waveforms, Y range, 1077  
 reference waveforms, Y scale, 1078  
 reference, lister, 396  
 registers, 179, 186, 190, 204, 213, 215, 217, 219, 221, 223, 225, 228, 230  
 registers, clearing, 1159  
 reject filter, 938  
 reject high frequency, 915  
 reject noise, 921

- relative standard deviation, 475
  - remote command logging,
    - enable/disable, 889, 893
  - remote control examples, 1181
  - Remote Terminal Address (RTA), M1553
    - trigger, 762
  - remove cursor information, 399
  - remove labels, 321
  - remove message from display, 881
  - reorder channels, 205
  - repetitive acquisitions, 232
  - report errors, 882
  - report transition, 476, 478
  - reporting status, 1139
  - reporting the setup, 912
  - request service, 194
  - Request-for-OPC flag clear, 176
  - reset, 187
  - reset conditions, 187
  - reset defaults, waveform generator, 1063
  - reset mask statistics, 525
  - reset measurements, 317
  - resolution of printed copy, 1099
  - resource session object, 67
  - ResourceManager object, 67
  - restore configurations, 182, 186, 190, 896
  - restore labels, 321
  - restore setup, 186
  - return values, query, 1179
  - returning acquisition type, 251
  - returning number of data points, 244
  - RF burst demo signal, 296
  - right reference, 904
  - ringing pulse demo signal, 296
  - ripple (output) analysis, 588
  - ripple, output, 511
  - rise time measurement, 428
  - rise time of positive edge, 465
  - Rise Time, power modulation analysis, 577
  - rising edge count measurement, 456
  - rising pulse count measurement, 459
  - RMS - AC, power modulation analysis, 577
  - RMS value measurement, 446, 487
  - roll time base mode, 901
  - root (:) commands, 199, 202
  - root level commands, 3
  - RQL (Request Control) status bit, 177, 179
  - RQS (Request Service), 194
  - RS-232/UART triggering, 654
  - RST (Reset), 187
  - rules, tree traversal, 1177
  - rules, truncation, 1174
  - run, 195, 232
  - Run bit, 219, 221
  - run count, current harmonics analysis, 568
  - run mode, mask test, 532
  - run state, 231
  - running configuration, 190, 896
  - RUNT SEARCh commands, 818
  - runt search polarity, 819
  - runt search qualifier, 820
  - runt search source, 821
  - runt search, pulse time, 822
  - RUNT trigger commands, 960
  - runt trigger polarity, 961
  - runt trigger qualifier, 962
  - runt trigger source, 963
  - runt trigger time, 964
  - Rx frame count (UART), 788
  - Rx source, 793
- ## S
- sample rate, 250
  - sampled data, 1091
  - sampled data points, 1001
  - SAV (Save), 190
  - save, 190, 631
  - save arbitrary waveform, 632
  - SAVE commands, 629
  - save current harmonics analysis
    - results, 642
  - save filename, 633
  - save image, 634
  - save image with inksaver, 637
  - save mask, 639, 640
  - save mask test failures, 535
  - save path information, 643
  - save reference waveform, 651
  - save setup, 644
  - save to reference waveform location, 1074
  - save waveform data, 645
  - saved image, area, 1125
  - saving and recalling data, 312
  - SBUS A429 commands, 658
  - SBUS CAN commands, 676
  - SBUS commands, 653
  - SBUS I2S commands, 712
  - SBUS<n> commands, general, 655
  - scale, 369, 905, 909
  - scale factors output on hardcopy, 379, 635
  - scale for channels, 292
  - scale units for channels, 293
  - scale units for external trigger, 339
  - scaling display factors, 284
  - SCPI commands, 75
  - SCPI.NET examples, 1295
  - scratch measurements, 1103
  - screen area for hardcopy print, 377
  - screen area for saved image, 1125
  - screen display of logged remote commands,
    - enable/disable, 891
  - screen image data, 318
  - SDI pattern, ARINC 429 trigger, 671, 832
  - SEARCh commands, 803
  - SEARCh commands, A429, 828
  - SEARCh commands, CAN, 834
  - SEARCh commands, EDGE, 808
  - SEARCh commands, FLEXray, 840
  - SEARCh commands, general, 804
  - SEARCh commands, GLITCh, 811
  - SEARCh commands, I2S, 846
  - SEARCh commands, IIC, 852
  - SEARCh commands, LIN, 859
  - SEARCh commands, M1553, 865
  - SEARCh commands, RUNT, 818
  - SEARCh commands, SPI, 869
  - SEARCh commands, TRANSition, 823
  - SEARCh commands, UART, 873
  - search mode, 806
  - search state, 807
  - search, edge slope, 809
  - search, edge source, 810
  - SECAM, 977, 981
  - seconds per division, 905
  - segmented waveform save option, 649
  - segments, analyze, 245
  - segments, count of waveform, 1011
  - segments, setting number of memory, 246
  - segments, setting the index, 247
  - segments, time tag, 1012
  - select measurement channel, 468
  - self-test, 196
  - sensing a channel probe, 1090
  - sensing a external trigger probe, 1094
  - sensitivity of oscilloscope input, 284
  - sequential commands, 1180
  - serial clock, 735, 770
  - serial data, 736
  - serial decode bus, 653
  - serial decode bus display, 656
  - serial decode mode, 657
  - serial frame, 771
  - serial number, 233
  - service request, 194
  - Service Request Enable Register (SRE), 192, 1146
  - set center frequency, 352
  - set cursors, 1108, 1109
  - set date, 879
  - set time, 898
  - set up oscilloscope, 57
  - setting digital display, 305
  - setting digital label, 260, 306
  - setting digital position, 307
  - setting digital threshold, 309
  - setting display, 351
  - setting external trigger level, 335
  - setting impedance for channels, 280
  - setting inversion for channels, 281
  - setting pod display, 549
  - setting pod size, 550
  - setting pod threshold, 551
  - settings, 186, 190
  - settings, instrument, 376
  - setup, 240, 254, 275, 304, 312, 376, 896
  - setup and hold trigger clock source, 967
  - setup and hold trigger data source, 968
  - setup and hold trigger hold time, 969
  - setup and hold trigger setup time, 970
  - setup and hold trigger slope, 966
  - setup configuration, 186, 190, 896
  - setup defaults, 187, 885
  - setup memory, 186

- setup reported, 912
- setup time, setup and hold trigger, 970
- setup, recall, 627
- setup, save, 644
- shape of modulation signal, waveform generator, 1054
- SHoLd trigger commands, 965
- short form, 5, 1174
- show channel labels, 321
- show measurements, 428, 467
- SICL example in C, 1275
- SICL example in Visual Basic, 1284
- SICL examples, 1275
- sigma, mask test run, 537
- signal speed, ARINC 429, 668
- signal type, 289
- signal type, ARINC 429, 666
- signed data, 997
- simple command headers, 1175
- sine cardinal waveform generator output, 1043
- sine waveform demo signal, 296
- sine waveform generator output, 1041
- single acquisition, 234
- single-ended probe heads, 286
- single-ended signal type, 289
- single-shot demo signal, 297
- single-shot DUT, synchronizing with, 1166
- size, 550
- size, digital channels, 308
- skew, 288, 1088
- skew reference waveform, 1075
- slew rate power analysis, 608
- slope, 767, 939
- slope (direction) of waveform, 1110
- slope not valid in TV trigger mode, 939
- slope parameter for delay measurement, 439
- slope, arming edge, Edge Then Edge trigger, 924
- slope, Nth edge in burst, 933
- slope, setup and hold trigger, 966
- slope, transition search, 825
- slope, transition trigger, 973
- slope, trigger edge, Edge Then Edge trigger, 928
- slot, network printer, 387
- smoothing acquisition type, 996
- snapshot all measurement, 430
- software version, 181
- source, 468, 667, 686, 748
- source (voltage or current) for slew rate analysis, 609
- source channel, M1553, 760
- source for function, 1095
- source for glitch search, 817
- source for Nth edge burst trigger, 934
- source for trigger, 940
- source for TV trigger, 980
- source input for function, first, 370
- source input for function, second, 372
- source, arming edge, Edge Then Edge trigger, 925
- source, automask, 520
- source, FLEXray, 702
- source, mask test, 545
- source, runt search, 821
- source, runt trigger, 963
- source, save reference waveform, 650
- source, transition trigger, 826, 974
- source, trigger edge, Edge Then Edge trigger, 929
- source, waveform, 1013
- span, 344
- span of frequency on display, 353
- specify measurement, 468
- speed of ARINC 429 signal, 668
- SPI, 767
- SPI clock timeout, 768
- SPI decode bit order, 766
- SPI decode word width, 779
- SPI demo signal, 298
- SPI MISO data, 1017
- SPI SEARCh commands, 869
- SPI serial search, data, 871
- SPI serial search, data width, 872
- SPI serial search, mode, 870
- SPI trigger, 769, 775, 777
- SPI trigger clock, 770
- SPI trigger commands, 764
- SPI trigger frame, 771
- SPI trigger MISO data pattern, 774
- SPI trigger MOSI data pattern, 776
- SPI trigger type, 778
- SPI trigger, MISO data source, 772
- SPI trigger, MOSI data source, 773, 1127
- SPI triggering, 654
- square math function, 344, 365
- square root math function, 344, 365
- square wave duty cycle, waveform generator, 1047
- square waveform generator output, 1041
- SRE (Service Request Enable Register), 192, 1146
- SRQ (Service Request interrupt), 213, 217, 228
- SSM pattern, ARINC 429 trigger, 672, 833
- standard deviation measured on waveform, 466
- Standard Event Status Enable Register (ESE), 177, 1151
- Standard Event Status Register (ESR), 179, 1150
- standard for video, 981
- standard, LIN, 749
- start acquisition, 195, 211, 232, 234
- start and stop edges, 437
- start cursor, 1108
- start measurement, 428
- start print job, 391
- start time, 948, 1108
- start time marker, 1105
- state memory, 190
- state of instrument, 182, 896
- state, run, 231
- statistics increment, 472
- statistics reset, 474
- statistics results, 462
- statistics, max count, 473
- statistics, relative standard deviation, 475
- statistics, type of, 470
- status, 193, 235, 237
- Status Byte Register (STB), 191, 193, 194, 1144
- status data structure clear, 176
- status registers, 74
- status reporting, 1139
- STB (Status Byte Register), 191, 193, 194, 1144
- steady state output voltage expected, 603, 604, 605
- step size for frequency span, 353
- stop, 211, 236
- stop acquisition, 236
- stop cursor, 1109
- stop displaying channel, 210
- stop displaying math function, 210
- stop displaying pod, 210
- stop on mask test failure, 536
- stop time, 948, 1109
- storage, 190
- store instrument setup, 182, 190
- store setup, 190
- storing calibration information, 266
- string variables, 72
- string variables, reading multiple query results into, 73
- string variables, reading query results into multiple, 73
- string, quoted ASCII, 168
- subnet mask, 58
- subsource, waveform source, 1017
- subsystem commands, 3, 1177
- subtract math function, 344, 365, 1013
- subtract math function as g(t) source, 358
- sweep mode, trigger, 911, 922
- sweep speed set to fast to measure fall time, 448
- sweep speed set to fast to measure rise time, 465
- switch disable, 883
- switching level, current, 612
- switching level, voltage, 615
- switching loss per cycle, 498
- switching loss power analysis, 610
- sync break, LIN, 750
- sync frame count (FlexRay), 700
- syntax elements, 167
- syntax rules, program data, 1176
- syntax, optional terms, 167
- syntax, program message, 1173
- SYSTem commands, 877
- system commands, 879, 881, 882, 883, 896, 898
- system commands introduction, 878



## T

- table of current harmonics results, 564
- tdelta, 1104
- tedge, 476
- telnet ports 5024 and 5025, 1001
- Telnet sockets, 75
- temporary message, 881
- TER (Trigger Event Register), 237, 1147
- termination conditions, mask test, 532
- test sigma, mask test run, 537
- test, self, 196
- text, writing to display, 881
- THD (total harmonics distortion), 571
- threshold, 309, 551, 1087, 1129
- threshold voltage (lower) for measurement, 1102
- threshold voltage (upper) for measurement, 1111
- thresholds, 437, 1105
- thresholds used to measure period, 457
- thresholds, how autoscale affects, 205
- time base, 901, 902, 903, 904, 905, 1128
- time base commands introduction, 900
- time base reset conditions, 188, 886
- time base window, 907, 908, 909
- time between points, 1104
- time buckets, 241, 242
- time delay, 1128
- time delay, Edge Then Edge trigger, 926
- time delta, 1104
- time difference between data points, 1021
- time duration, 948, 956, 957, 959
- time holdoff for trigger, 916
- time interval, 476, 478, 1104
- time interval between trigger and occurrence, 1110
- time marker sets start time, 1105
- time measurements with X cursors, 405
- time per division, 903
- time record, 355
- time reference, lister, 396
- time specified, 488
- time, calibration, 272
- time, mask test run, 538
- time, runt pulse search, 822
- time, runt trigger, 964
- time, start marker, 1108
- time, stop marker, 1109
- time, system, 898
- time, transition search, 827
- time, transition trigger, 975
- time/div, how autoscale affects, 205
- time-at-max measurement, 1106
- time-at-min measurement, 1107
- TIbase commands, 899
- timebase vernier, 906
- TIbase:MODE, 70
- time-ordered label list, 322
- timeout, SPI clock, 768
- timing measurement, 428
- title channels, 282
- title, mask test, 546
- tolerance, automask, 522, 523
- top of waveform value measured, 489
- total frame count (CAN), 681
- total frame count (FlexRay), 701
- total harmonics distortion (THD), 571
- total waveforms in mask test, 527
- trace memory, 235
- track measurements, 467
- transfer instrument state, 182, 896
- transforms, math, 344
- transient response, 512
- transient response analysis, 616, 617, 620
- TRANSition SEARCh commands, 823
- transition search qualifier, 824
- transition search slope, 825
- transition search time, 827
- transition trigger qualifier, 972
- transition trigger slope, 973
- transition trigger source, 826, 974
- transition trigger time, 975
- transmit word size, I2S, 730
- transparent screen background, remote command logging, 894
- tree traversal rules, 1177
- trend measurement, 373
- TRG (Trigger), 192, 194, 195
- TRIG OUT BNC, 267
- trigger armed event register, 219, 221
- trigger burst, UART, 796
- trigger channel source, 949, 980
- TRIGger commands, 911
- TRIGger commands, general, 913
- trigger data, UART, 797
- TRIGger DELay commands, 923
- trigger duration, 956, 957
- TRIGger EBURst commands, 930
- TRIGger EDGE commands, 935
- trigger edge coupling, 936
- trigger edge slope, 939
- trigger edge slope, Edge Then Edge trigger, 928
- trigger edge source, Edge Then Edge trigger, 929
- trigger event bit, 237
- Trigger Event Register (TER), 1147
- TRIGger FLEXray commands, 693
- TRIGger GLITCh commands, 941
- trigger holdoff, 916
- trigger idle, UART, 798
- TRIGger IIC commands, 732
- trigger level auto set up, 917
- trigger level constants, 284
- trigger level voltage, 937
- trigger level, high, 918
- trigger level, low, 919
- TRIGger LIN commands, 743
- TRIGger M1553 commands, 757
- trigger occurred, 194
- TRIGger OR commands, 950
- TRIGger PATtern commands, 952
- trigger pattern qualifier, 958
- trigger qualifier, UART, 799
- trigger reset conditions, 188, 886
- TRIGger RUNT commands, 960
- TRIGger SHOLd commands, 965
- trigger SPI clock slope, 767
- TRIGger SPI commands, 764
- trigger status bit, 237
- trigger sweep mode, 911
- TRIGger TV commands, 971, 976
- trigger type, ARINC 429, 674, 830
- trigger type, SPI, 778
- trigger type, UART, 800
- TRIGger UART commands, 780
- TRIGger USB commands, 986
- trigger, ARINC 429 source, 667
- trigger, CAN, 687
- trigger, CAN pattern data length, 690
- trigger, CAN pattern ID mode, 692
- trigger, CAN sample point, 683
- trigger, CAN signal baudrate, 684
- trigger, CAN signal definition, 685
- trigger, CAN source, 686
- trigger, duration greater than, 956
- trigger, duration less than, 957
- trigger, duration range, 959
- trigger, edge coupling, 936
- trigger, edge level, 937
- trigger, edge reject, 938
- trigger, edge slope, 939
- trigger, edge source, 940
- trigger, FLEXray, 703
- trigger, FLEXray error, 704
- trigger, FLEXray event, 707
- trigger, force a, 914
- trigger, glitch greater than, 943
- trigger, glitch less than, 944
- trigger, glitch level, 945
- trigger, glitch polarity, 946
- trigger, glitch qualifier, 947
- trigger, glitch range, 948
- trigger, glitch source, 949
- trigger, high frequency reject filter, 915
- trigger, holdoff, 916
- trigger, I2S, 722
- trigger, I2S alignment, 715
- trigger, I2S audio channel, 724
- trigger, I2S clock slope, 717
- trigger, I2S CLOcksource, 719
- trigger, I2S DATA source, 720
- trigger, I2S pattern data, 725
- trigger, I2S pattern format, 727
- trigger, I2S range, 728
- trigger, I2S receiver width, 718
- trigger, I2S transmit word size, 730
- trigger, I2S word select (WS) low, 731
- trigger, I2S word select (WS) source, 721
- trigger, IIC clock source, 735
- trigger, IIC data source, 736
- trigger, IIC pattern address, 737
- trigger, IIC pattern data, 738
- trigger, IIC pattern data 2, 739

trigger, IIC qualifier, 740  
 trigger, IIC signal baudrate, 747  
 trigger, IIC type, 741  
 trigger, LIN, 751  
 trigger, LIN pattern data, 753  
 trigger, LIN pattern data length, 755  
 trigger, LIN pattern format, 756  
 trigger, LIN sample point, 746  
 trigger, LIN signal definition, 1126  
 trigger, LIN source, 748  
 trigger, mode, 920  
 trigger, noise reject filter, 921  
 trigger, Nth edge burst source, 934  
 trigger, Nth edge in burst slope, 933  
 trigger, Nth edge of burst count, 931  
 trigger, Nth edge of Edge Then Edge trigger, 927  
 trigger, SPI clock slope, 767  
 trigger, SPI clock source, 770  
 trigger, SPI clock timeout, 768  
 trigger, SPI frame source, 771  
 trigger, SPI framing, 769  
 trigger, SPI pattern MISO width, 775  
 trigger, SPI pattern MOSI width, 777  
 trigger, sweep, 922  
 trigger, threshold, 1129  
 trigger, TV line, 977  
 trigger, TV mode, 978, 1130  
 trigger, TV polarity, 979  
 trigger, TV source, 980  
 trigger, TV standard, 981  
 trigger, UART base, 795  
 trigger, UART baudrate, 784  
 trigger, UART bit order, 785  
 trigger, UART parity, 791  
 trigger, UART polarity, 792  
 trigger, UART Rx source, 793  
 trigger, UART Tx source, 794  
 trigger, UART width, 801  
 trigger, USB, 990  
 trigger, USB D- source, 987  
 trigger, USB D+ source, 988  
 trigger, USB speed, 989  
 truncation rules, 1174  
 TST (Self Test), 196  
 tstart, 1108  
 tstop, 1109  
 TTL threshold voltage for digital channels, 309, 1087  
 TTL trigger threshold voltage, 1129  
 turn function on or off, 1096  
 turn off channel, 210  
 turn off channel labels, 321  
 turn off digital pod, 210  
 turn off math function, 210  
 turn off time, 504, 581  
 turn on channel labels, 321  
 turn on channel number display, 1092  
 turn on time, 505, 581  
 turn on/turn off time analysis, 578, 579, 580, 581  
 turning channel display on and off, 279

turning off/on function calculation, 351  
 turning vectors on or off, 1091  
 TV mode, 978, 1130  
 TV trigger commands, 971, 976  
 TV trigger line number setting, 977  
 TV trigger mode, 980  
 TV trigger polarity, 979  
 TV trigger standard setting, 981  
 TV triggering, 912  
 tvmode, 1130  
 Tx data, UART, 1017  
 Tx frame count (UART), 789  
 Tx source, 794

## U

UART base, 795  
 UART baud rate, 784  
 UART bit order, 785  
 UART frame counters, reset, 787  
 UART parity, 791  
 UART polarity, 792  
 UART Rx source, 793  
 UART SEARCh commands, 873  
 UART serial search, data, 874  
 UART serial search, data qualifier, 876  
 UART serial search, mode, 875  
 UART trigger burst, 796  
 UART trigger commands, 780  
 UART trigger data, 797  
 UART trigger idle, 798  
 UART trigger qualifier, 799  
 UART trigger type, 800  
 UART Tx data, 1017  
 UART Tx source, 794  
 UART width, 801  
 UART/RS232 demo signal, 297  
 UART/RS-232 triggering, 654  
 units (vertical) for FFT, 354  
 units per division, 292, 293, 339, 905  
 units per division (vertical) for function, 292, 369  
 units, automask, 521  
 units, X cursor, 405, 406  
 units, Y cursor, 412, 413  
 unsigned data, 997  
 unsigned mode, 1019  
 upper threshold, 457  
 upper threshold voltage for measurement, 1111  
 uppercase characters in commands, 1173  
 URQ (User Request) status bit, 177, 179  
 USB (Device) interface, 57  
 USB source, 987, 988  
 USB speed, 989  
 USB storage device, recalling files from, 622  
 USB storage device, saving files to, 631  
 USB trigger, 990  
 USB trigger commands, 986  
 USB triggering, 912

user defined channel labels, 282  
 user defined threshold, 1087  
 user event conditions occurred, 194  
 user name, network domain, 388  
 User's Guide, 6  
 user-defined threshold voltage for digital channels, 309  
 user-defined trigger threshold, 1129  
 USR (User Event bit), 192, 194  
 utilization, CAN bus, 682

## V

valid command strings, 1173  
 valid pattern time, 956, 957  
 value, 478  
 value measured at base of waveform, 444, 482  
 value measured at specified time, 488  
 value measured at top of waveform, 489  
 value ranges, 168  
 values required to fill time buckets, 242  
 VBA, 66, 1182  
 Vce(sat) value for conduction calculation, 614  
 vectors turned on or off, 1091  
 vectors, display, 325  
 vectors, turning on or off, 312  
 vernier, channel, 294  
 vernier, horizontal, 906  
 vertical adjustment, fine (vernier), 294  
 vertical amplitude measurement, 442, 480  
 vertical axis defined by RANGE, 367  
 vertical axis range for channels, 291  
 vertical offset for channels, 283  
 vertical peak-to-peak measured on waveform, 445, 485  
 vertical scale, 292, 369  
 vertical scaling, 1008  
 vertical threshold, 1087  
 vertical units for FFT, 354  
 vertical value at center screen, 364, 368  
 vertical value maximum measured on waveform, 483  
 vertical value measurements to calculate overshoot, 454  
 vertical value minimum measured on waveform, 484  
 video line to trigger on, 977  
 video standard selection, 981  
 view, 238, 1020, 1092  
 view turns function on or off, 1096  
 VISA COM example in C#, 1191  
 VISA COM example in Python, 1208  
 VISA COM example in Visual Basic, 1182  
 VISA COM example in Visual Basic .NET, 1200  
 VISA example in C, 1215  
 VISA example in C#, 1234  
 VISA example in Python, 1255  
 VISA example in Visual Basic, 1224

- VISA example in Visual Basic .NET, 1245
  - VISA examples, 1182, 1215
  - VISA.NET example in C#, 1262
  - VISA.NET example in Visual Basic .NET, 1268
  - VISA.NET examples, 1262
  - Visual Basic .NET, VISA COM example, 1200
  - Visual Basic .NET, VISA example, 1245
  - Visual Basic .NET, VISA.NET example, 1268
  - Visual Basic 6.0, 67
  - Visual Basic for Applications, 66, 1182
  - Visual Basic, SICL library example, 1284
  - Visual Basic, VISA COM example, 1182
  - Visual Basic, VISA example, 1224
  - visualizations, math, 345
  - voltage crossing reported or not found, 1110
  - voltage difference between data points, 1024
  - voltage difference measured, 1112
  - voltage level for active trigger, 937
  - voltage marker used to measure waveform, 1113, 1114
  - voltage offset value for channels, 283
  - voltage probe, 293, 339
  - voltage ranges for channels, 291
  - voltage ranges for external trigger, 338
  - voltage source, 607
  - voltage threshold, 437
  - voltage, maximum expected input, 600, 601, 602
- ## W
- WAI (Wait To Continue), 197
  - wait, 197
  - wait for operation complete, 183
  - Wait Trig bit, 219, 221
  - warranty, 2
  - waveform base value measured, 444, 482
  - WAVEform command, 65
  - WAVEform commands, 991
  - waveform data, 994
  - waveform data format, 646
  - waveform data length, 647
  - waveform data length, maximum, 648
  - waveform data, save, 645
  - waveform generator, 1029
  - waveform generator amplitude, 1064
  - waveform generator function, 1041
  - waveform generator high-level voltage, 1065
  - waveform generator low-level voltage, 1066
  - waveform generator offset, 1067
  - waveform generator output control, 1060
  - waveform generator output load impedance, 1061
  - waveform generator period, 1062
  - waveform generator pulse width, 1045
  - waveform generator ramp symmetry, 1046
  - waveform generator reset defaults, 1063
  - waveform generator square wave duty cycle, 1047
  - waveform introduction, 993
  - waveform maximum vertical value measured, 483
  - waveform minimum vertical value measured, 484
  - waveform must cross voltage level to be an occurrence, 1110
  - WAVEform parameters, 70
  - waveform peak-to-peak vertical value measured, 445, 485
  - waveform period, 457
  - waveform persistence, 312
  - waveform RMS value measured, 446, 487
  - waveform save option for segments, 649
  - waveform source, 1013
  - waveform source subsource, 1017
  - waveform standard deviation value measured, 466
  - waveform vertical amplitude, 442, 480
  - waveform voltage measured at marker, 1113, 1114
  - waveform, byte order, 999
  - waveform, count, 1000
  - waveform, data, 1001
  - waveform, format, 1003
  - waveform, points, 1004, 1006
  - waveform, preamble, 1008
  - waveform, type, 1018
  - waveform, unsigned, 1019
  - waveform, view, 1020
  - waveform, X increment, 1021
  - waveform, X origin, 1022
  - waveform, X reference, 1023
  - waveform, Y increment, 1024
  - waveform, Y origin, 1025
  - waveform, Y reference, 1026
  - WAVEform:FORMat, 70
  - waveforms, mask test run, 539
  - Web control, 75
  - website, examples on, 1181
  - WGEN commands, 1027
  - WGEN trigger source, 940
  - what's new, 31
  - width, 801, 948
  - window, 907, 908, 909
  - window time, 903
  - window time base mode, 901
  - window, measurement, 490
  - windows, 355
  - windows as filters to Fast Fourier Transforms, 355
  - windows for Fast Fourier Transform functions, 355
  - WMEMory commands, 1069
  - word counter (ARINC 429), 664
  - word counter (ARINC 429), reset, 663
  - word format, 1003
  - word format for data transfer, 997
  - word format, ARINC 429, 665
  - word select (WS) low, I2S trigger, 731
  - word select (WS) source, I2S, 721
  - word width, SPI decode, 779
  - write mode, remote command logging, 889, 895
  - write text to display, 881
  - WriteIEEEBlock method, 67, 73
  - WriteList method, 67
  - WriteNumber method, 67
  - WriteString method, 67
- ## X
- X axis markers, 398
  - X cursor units, 405, 406
  - X delta, 404
  - X delta, mask scaling, 542
  - X1 and X2 cursor value difference, 404
  - X1 cursor, 398, 400, 401
  - X1, mask scaling, 541
  - X2 cursor, 398, 400, 403
  - X-axis functions, 900
  - X-increment, 1021
  - X-of-max measurement, 491
  - X-of-min measurement, 492
  - X-origin, 1022
  - X-reference, 1023
  - X-Y mode, 900, 901
- ## Y
- Y axis markers, 398
  - Y cursor units, 412, 413
  - Y offset, reference waveform, 1076
  - Y range, reference waveform, 1077
  - Y scale, reference waveform, 1078
  - Y1 and Y2 cursor value difference, 411
  - Y1 cursor, 398, 401, 407, 411
  - Y1, mask scaling, 543
  - Y2 cursor, 398, 403, 409, 411
  - Y2, mask scaling, 544
  - Y-axis value, 1025
  - Y-increment, 1024
  - Y-origin, 1025, 1026
  - Y-reference, 1026
- ## Z
- zero values in waveform data, 1001
  - zoomed time base, 901
  - zoomed time base measurement window, 490
  - zoomed time base mode, how autoscale affects, 205
  - zoomed window horizontal scale, 909

