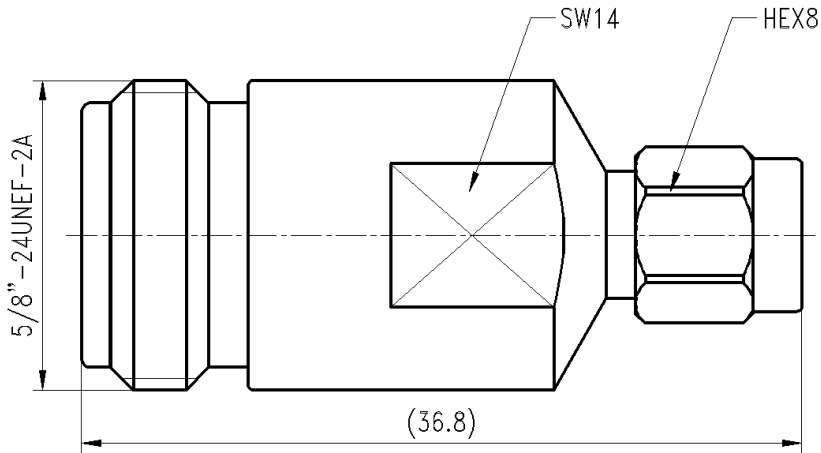


Drawing(mm)



Electrical & Environmental

Impedance	50 ohm
Frequency Range	DC-18 GHz
VSWR	1.2 max
Operating Temp	-55°C to +120°C
Interface	N&SMA per MIL-STD-348B

Material

Connector Body	Nickel plated brass
Center Contact	Gold plated brass
Insulator	PEI & PTFE