



Electrical

Impedance	50 ohm				
Frequency Range	DC-18 GHz				
VSWR	1.45 max				
Input Avg Power	30W@ 25°C ambient, derating linearly to 3W at 100°C				
Peak Power	1kW (5 micro-sec pulse width, 1% duty cycle)				
Direction	Unidirectional, N female input, N male output (other configurations available)				

Attenuation(dB)	1-10	11-20	21-30	31-40	41-50
Accuracy(dB)	±0.8	±0.9	±1.1	±1.2	±1.3

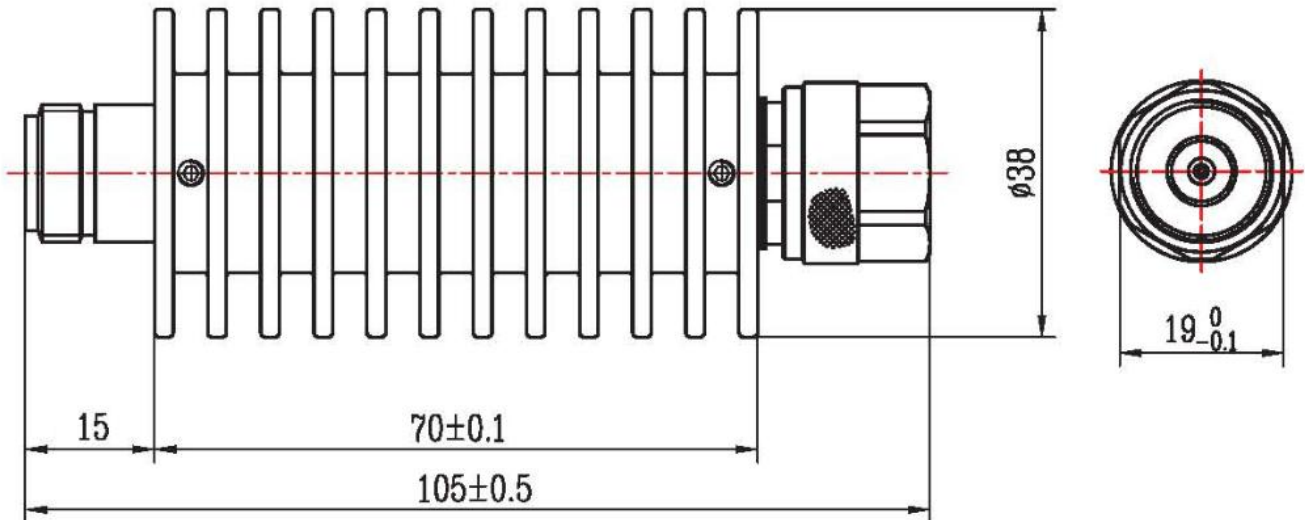
Mechanical

Connector Body	Passivated stainless steel
Heat Sink	Black anodized aluminum
Center Contact	Gold plated beryllium copper/brass
Net Weight	Approx 170 g

Environmental

Operating Temperature	-55°C to 100°C
Storage Temperature	-55°C to 125°C
RoHS	Compliant
Temperature Coefficient	<0.0004 dB/dB/°C

Dimensions(mm)



Notes

- 1.Always pay attention to the direction of attenuators.
- 2.To maintain best performance, recommended to use fan to keep the case temperature under 85°C.
- 3.Customized dB values, outlines and optimal accuracy/VSWR available.

Model Description

RFH18XXNC30

- 1.XX for dB value: 06=6dB,30=30dB
- 2.Code for connector configuration:
A=female for two ends; B=male for two ends
C=female for input and male for output;
D=male for input and female for output.